

[54] DOCUMENT SHREDDER

[75] Inventor: Carl Yurdin, Port Washington, N.Y.

[73] Assignee: Oztec Business Machines, Inc., Port Washington, N.Y.

[\*\*] Term: 14 Years

[21] Appl. No.: 260,355

[22] Filed: Oct. 19, 1988

[52] U.S. Cl. .... D18/34

[58] Field of Search ..... D18/34, 99; D15/127; 241/100, 34, 36; 271/9, 10; 83/859

[56] References Cited

U.S. PATENT DOCUMENTS

D. 221,108	7/1971	Case	.....	D18/34
D. 265,909	8/1982	Hatanaka	.....	D18/34
D. 265,910	8/1982	Hatanaka	.....	D18/34
D. 277,190	1/1985	Sadler	.....	D18/34
D. 298,435	11/1988	Buteau	.....	D18/34
4,817,877	4/1989	Itoh et al.	.....	241/34
4,873,811	10/1989	Izumitani et al.	.....	241/100
4,964,579	10/1990	Strohmeyer	.....	241/100

OTHER PUBLICATIONS

Destroyit; p. 6, lower right corner.  
Great Presentations; Early Summer '87; p. 27; top right corner.

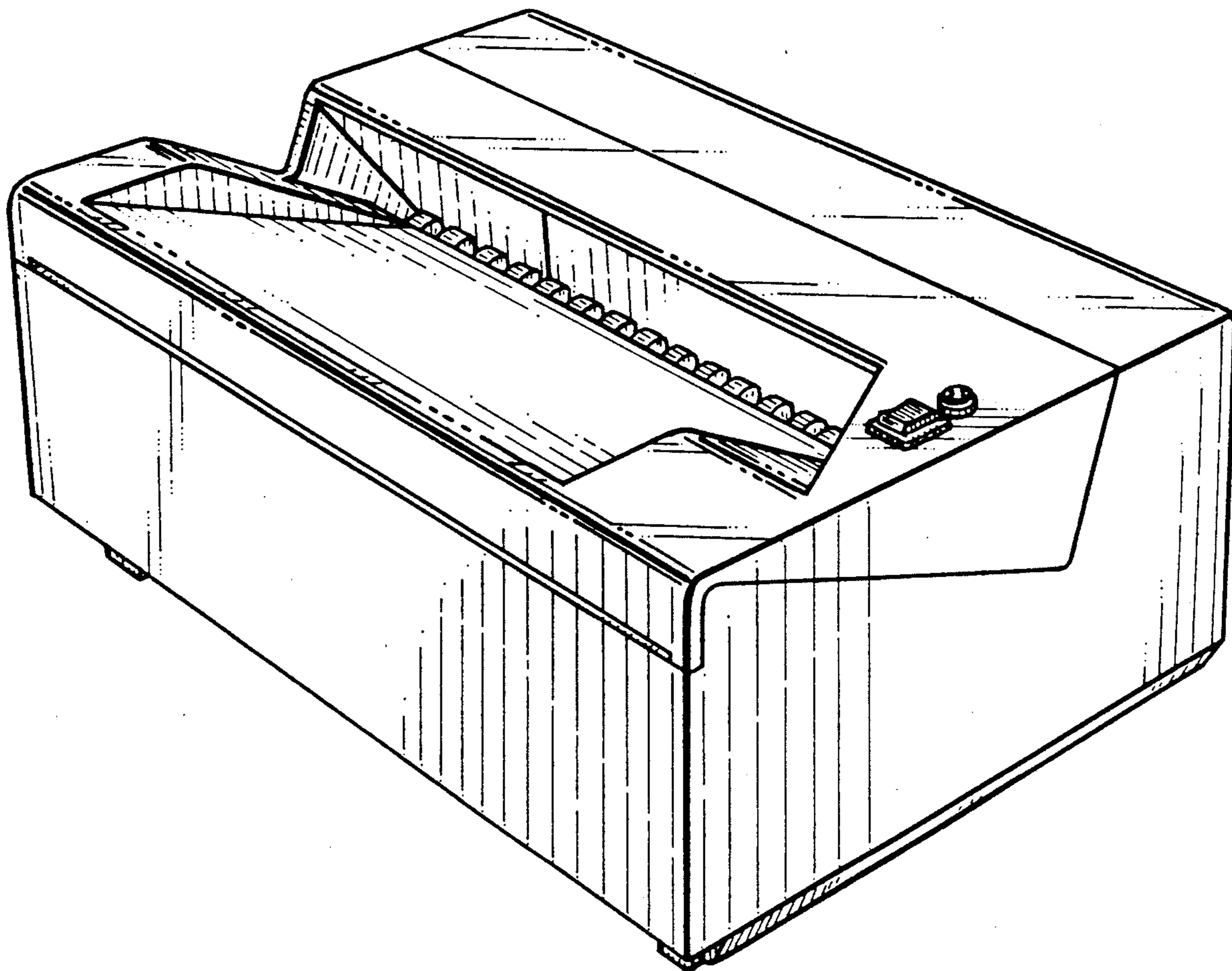
Primary Examiner—A. Hugo Word  
Assistant Examiner—Cathy Anne MacCormac  
Attorney, Agent, or Firm—Ladas & Parry

[57] CLAIM

The ornamental design for a document shredder, as shown and described.

DESCRIPTION

FIG. 1 is a perspective view taken from the top, front and right side of a document shredder showing my new design;  
FIG. 2 is a top plan view thereof;  
FIG. 3 is a front elevational view thereof;  
FIG. 4 is a rear elevational view thereof;  
FIG. 5 is a left side elevational view thereof;  
FIG. 6 is a right side elevational view thereof; and  
FIG. 7 is a bottom plan view thereof.



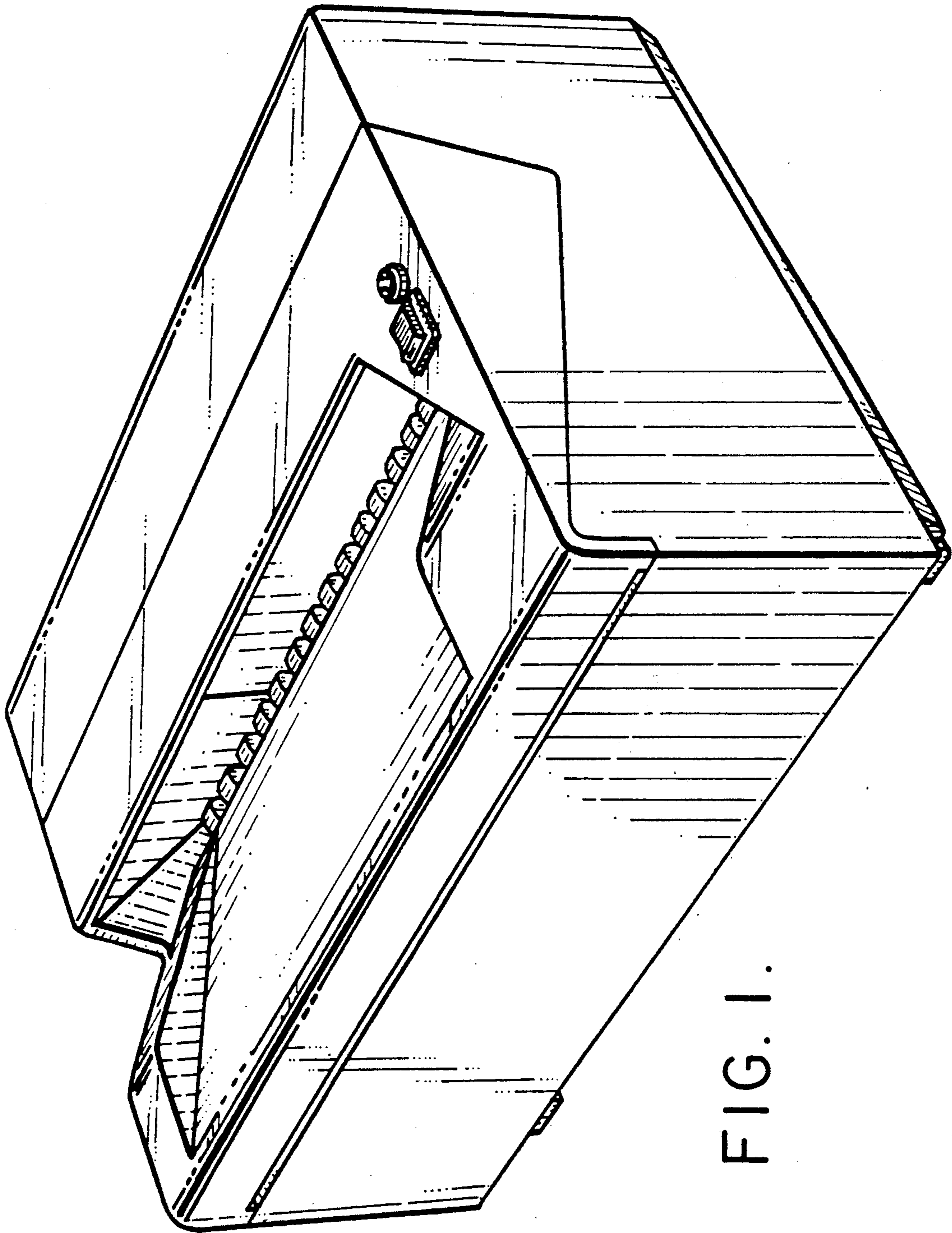


FIG. 1.

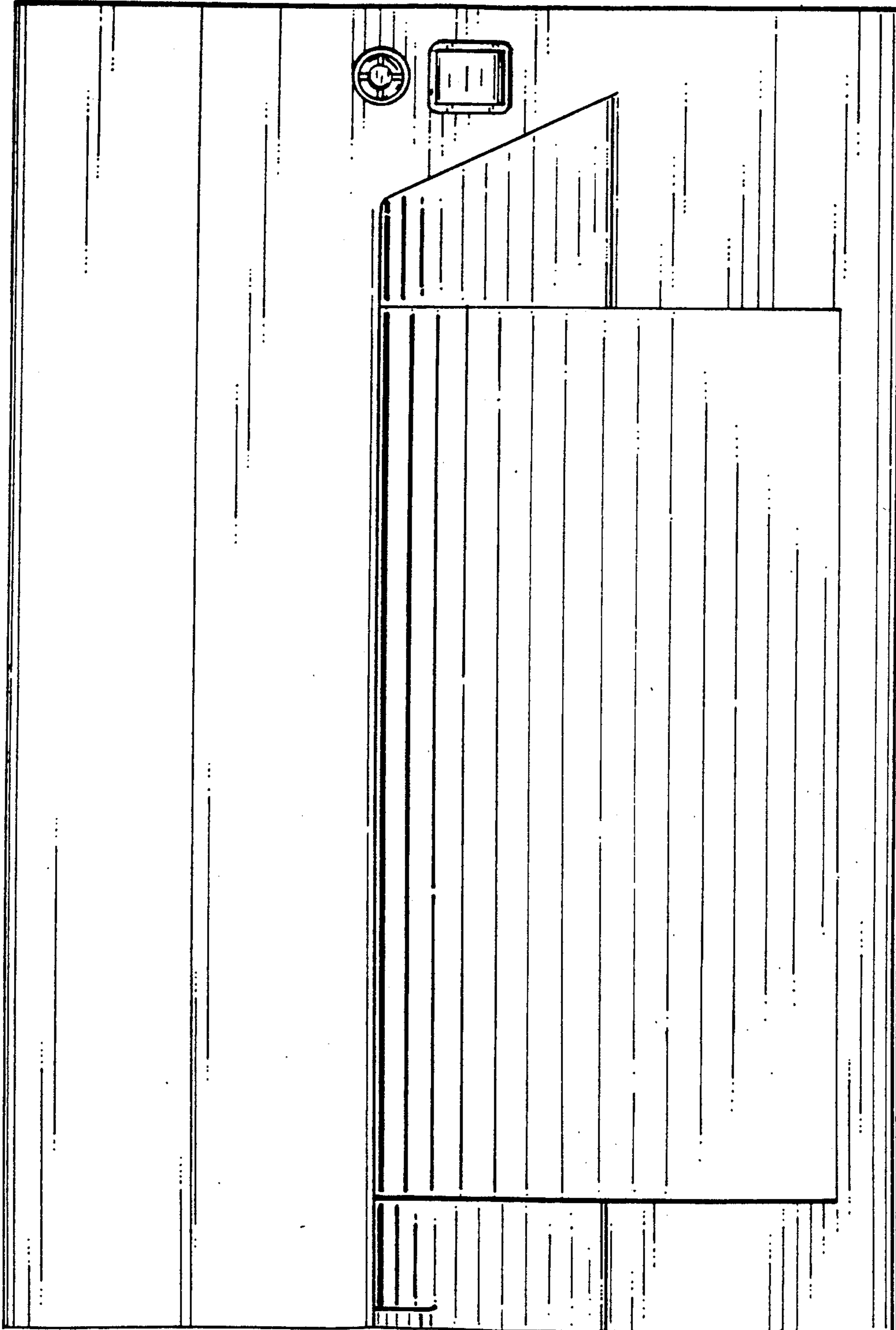


FIG. 2.

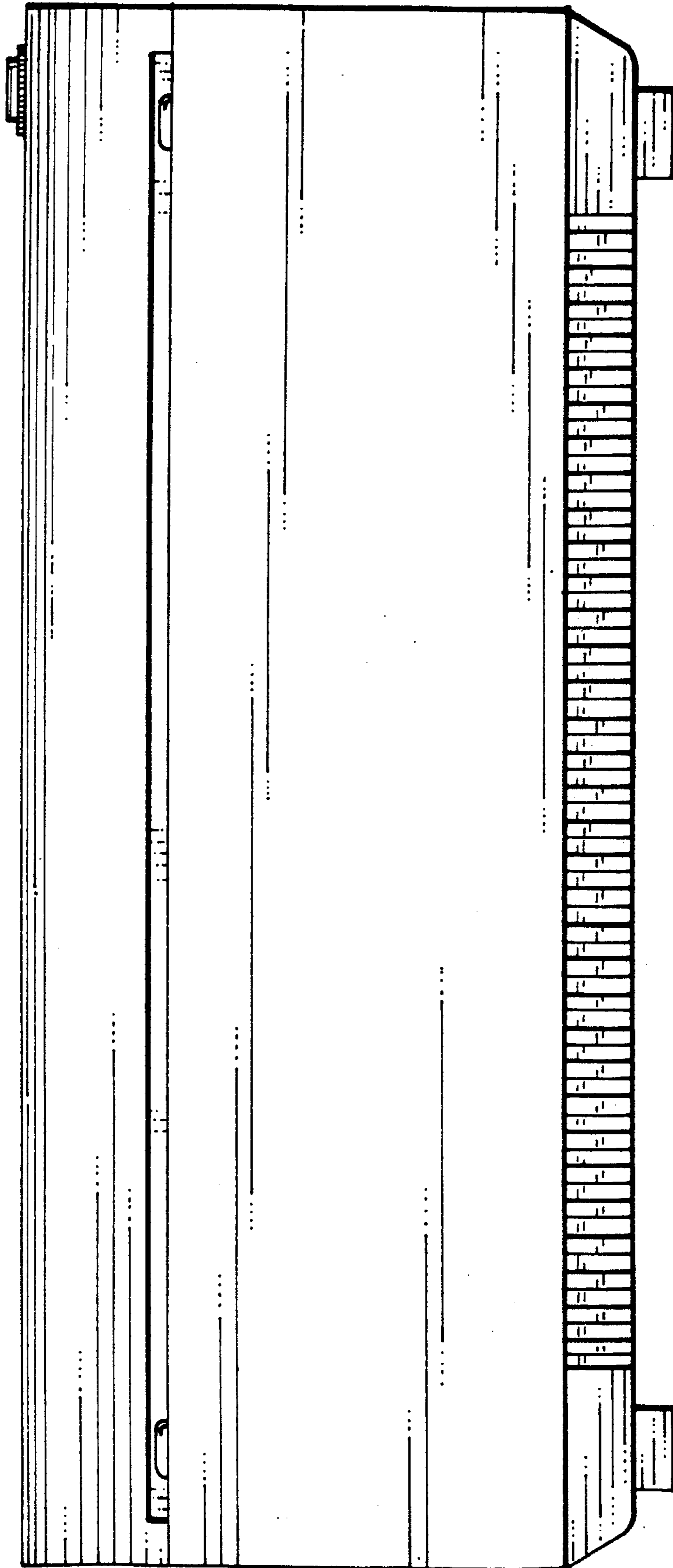


FIG. 3.



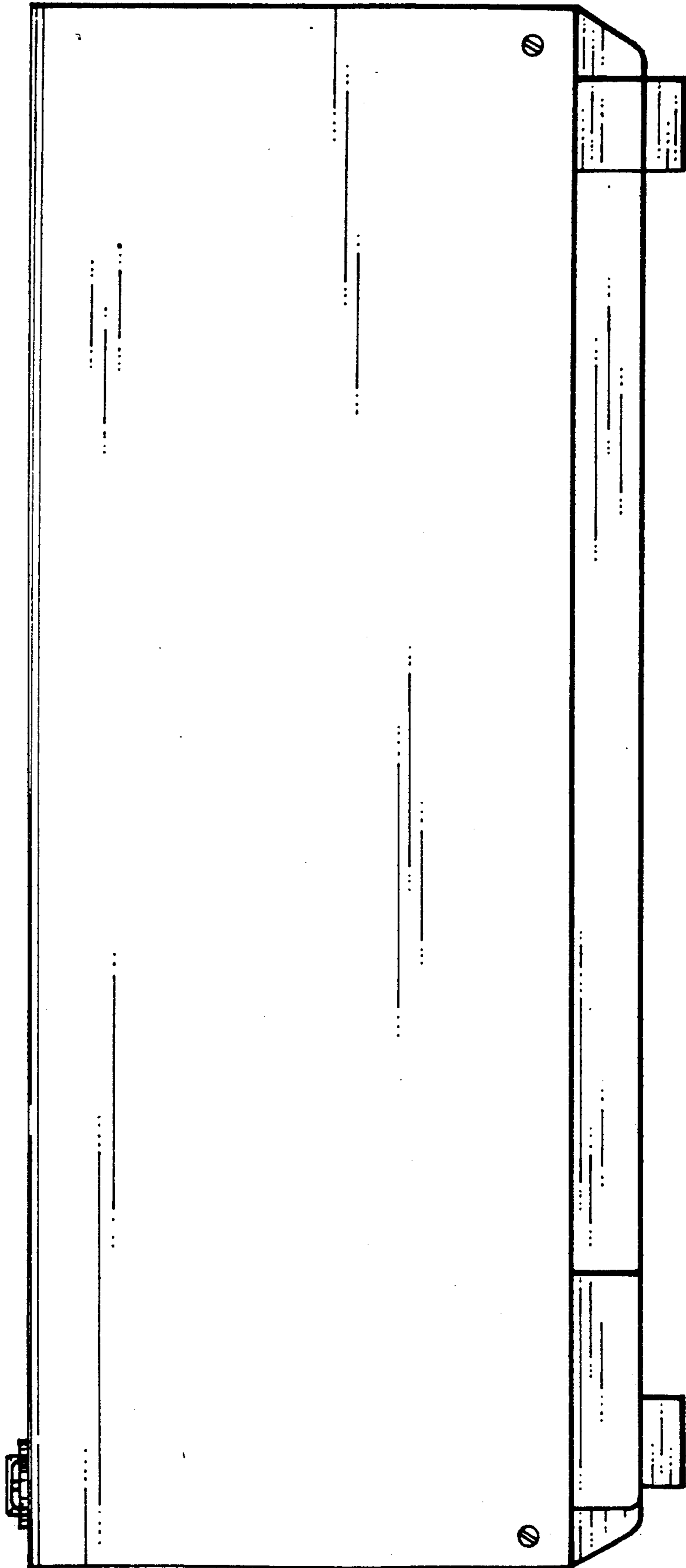


FIG. 4.

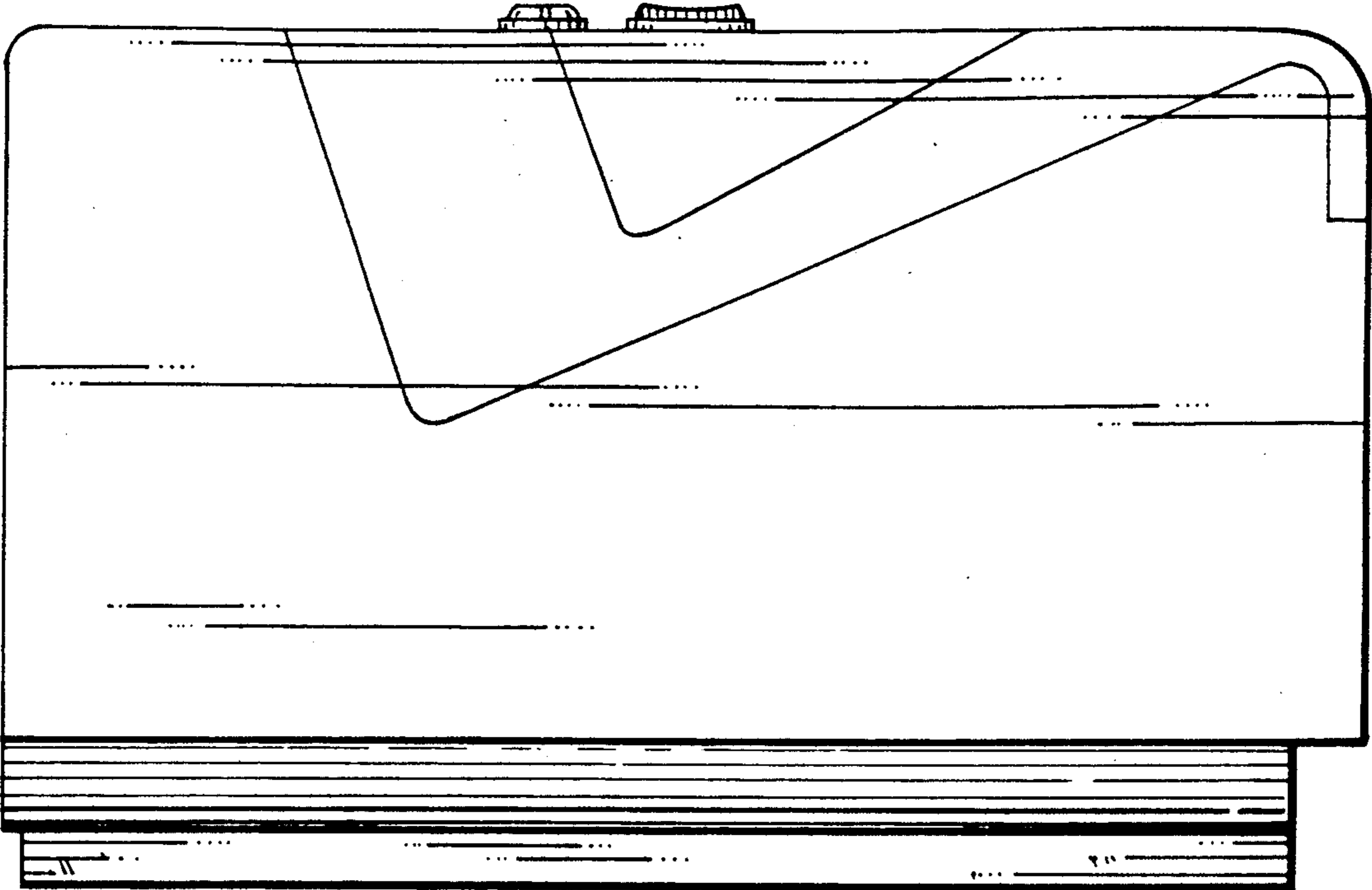


FIG. 5.

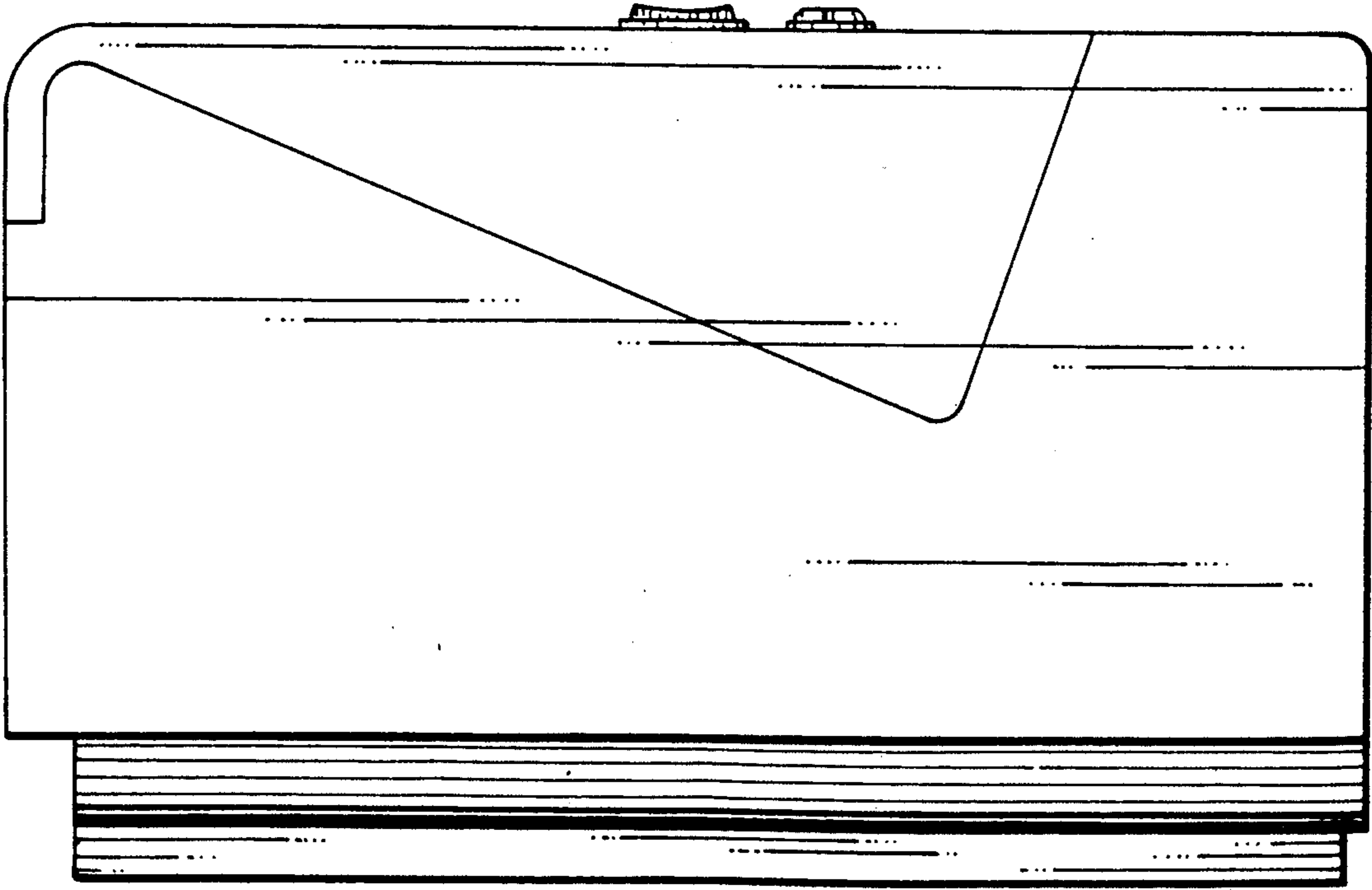


FIG. 6.

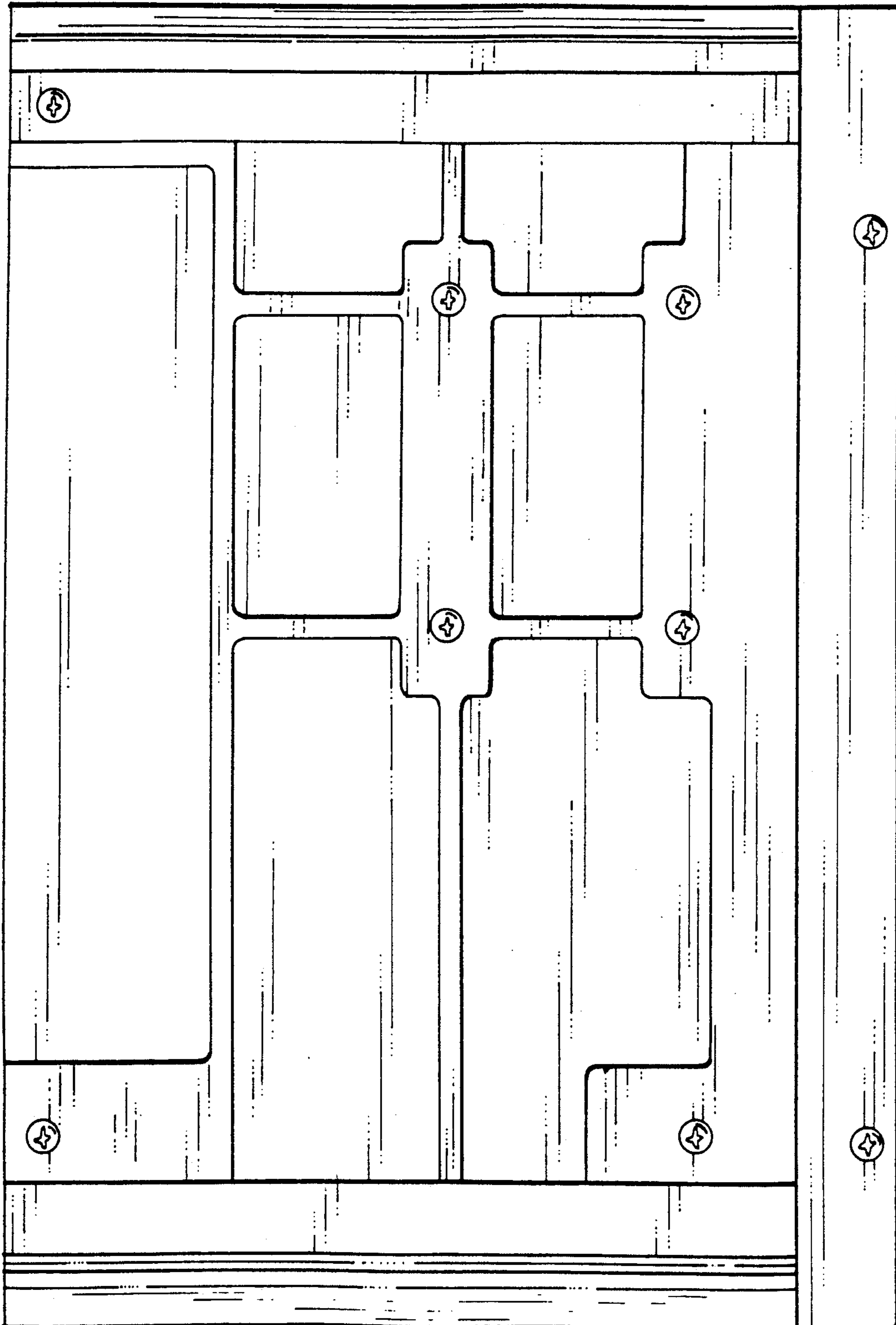


FIG. 7.