

- [54] MULTIPURPOSE CALCULATOR CASE
- [75] Inventor: Li-Chen Hu Huang, Taipei, Taiwan
- [73] Assignee: Pro Eton Trading Co., Ltd., Taiwan
- [**] Term: 14 Years
- [21] Appl. No.: 418,642
- [22] Filed: Oct. 10, 1989
- [52] U.S. Cl. D18/7; D18/11; D19/76
- [58] Field of Search D18/6, 7; D14/116; D19/76; 235/61 R; 364/706-710

- [56] **References Cited**
- U.S. PATENT DOCUMENTS**
- D. 249,952 10/1978 Yuen D19/76
- D. 260,534 9/1981 Halm D19/76
- D. 302,007 7/1989 Hara et al. D18/36 X
- D. 310,543 9/1990 Brown D18/7 X
- D. 312,831 12/1990 Sawada et al. D18/7 X
- 4,644,391 2/1987 Shibuya et al. D18/36 X

Primary Examiner—Nelson C. Holtje

Assistant Examiner—Caron D. Veynar
Attorney, Agent, or Firm—Wenderoth, Lind & Ponack

[57] **CLAIM**

The ornamental design for a multipurpose calculator case, as shown and described.

DESCRIPTION

FIG. 1 is a left, front and top perspective view of a multipurpose calculator case in the closed position showing my new design;

FIG. 2 is a front elevational view thereof;

FIG. 3 is a rear elevational view thereof;

FIG. 4 is a left side elevational view thereof;

FIG. 5 is a right side elevational view thereof;

FIG. 6 is a top plan view thereof;

FIG. 7 is a bottom plan view thereof;

FIG. 8 is a perspective view in the open position;

FIG. 9 is a front elevational view thereof;

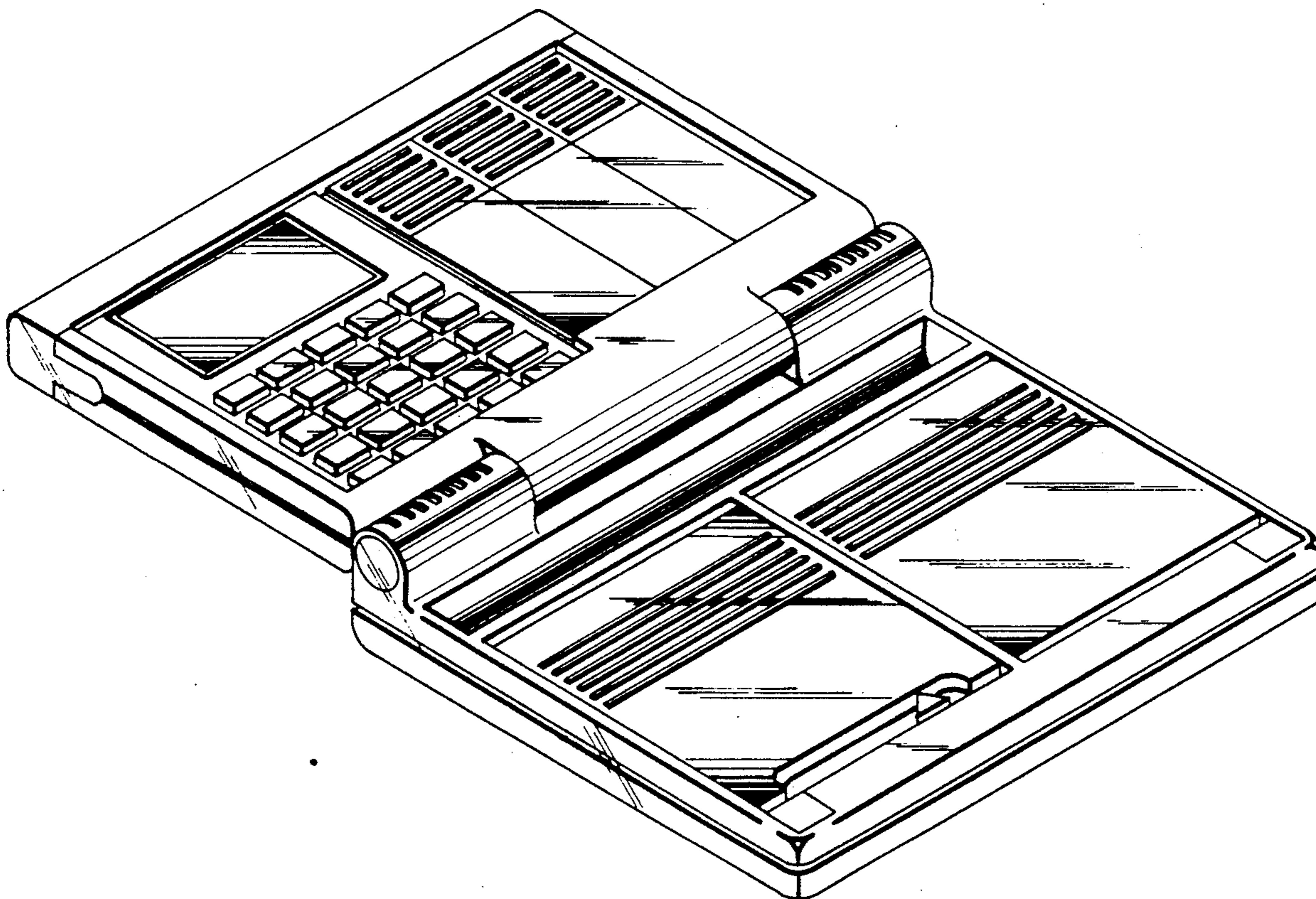
FIG. 10 is a rear elevational view thereof;

FIG. 11 is a left side elevational view thereof;

FIG. 12 is a right side elevational view thereof;

FIG. 13 is a top plan view thereof; and

FIG. 14 is a bottom plan view thereof.



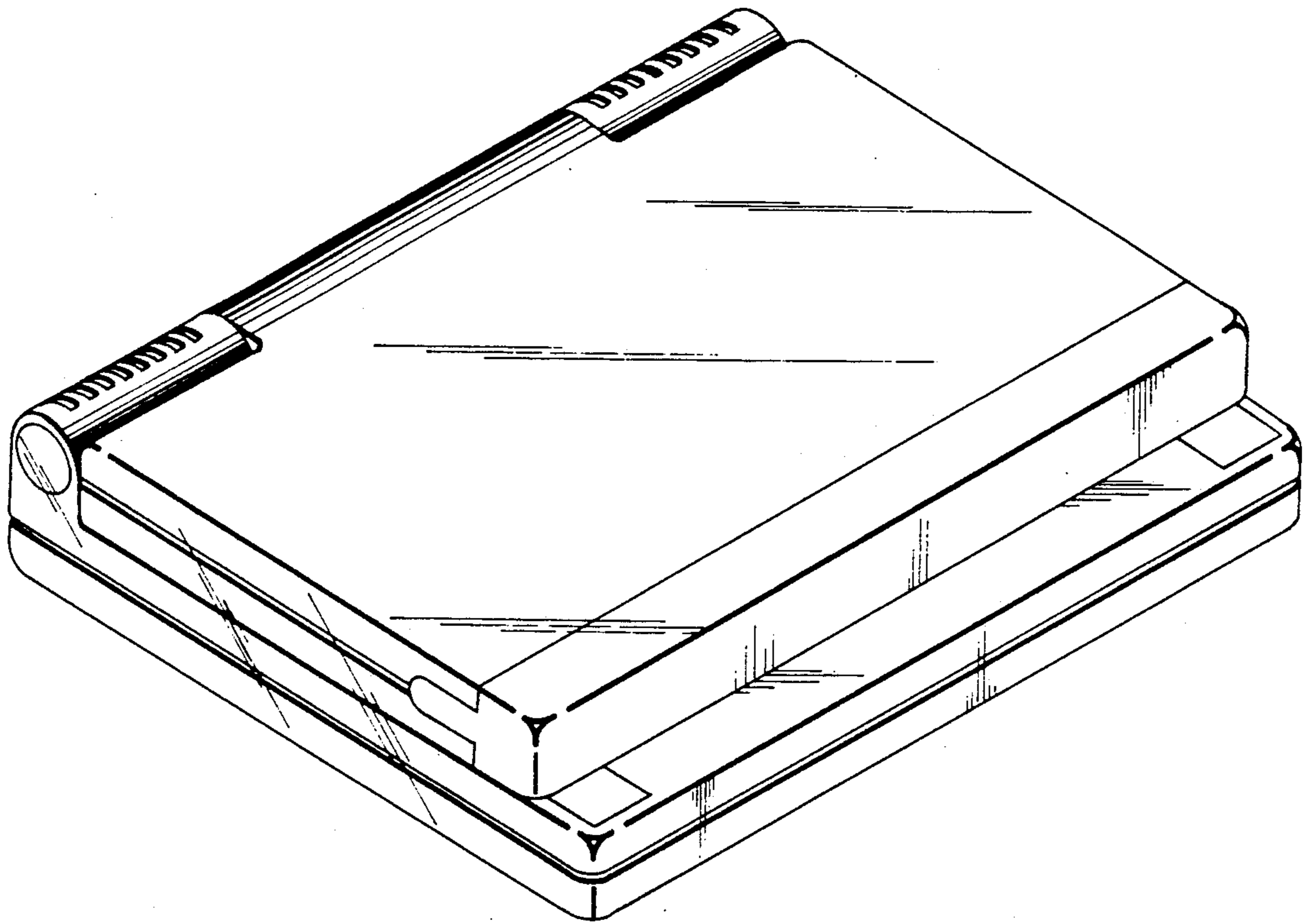


Fig. 1

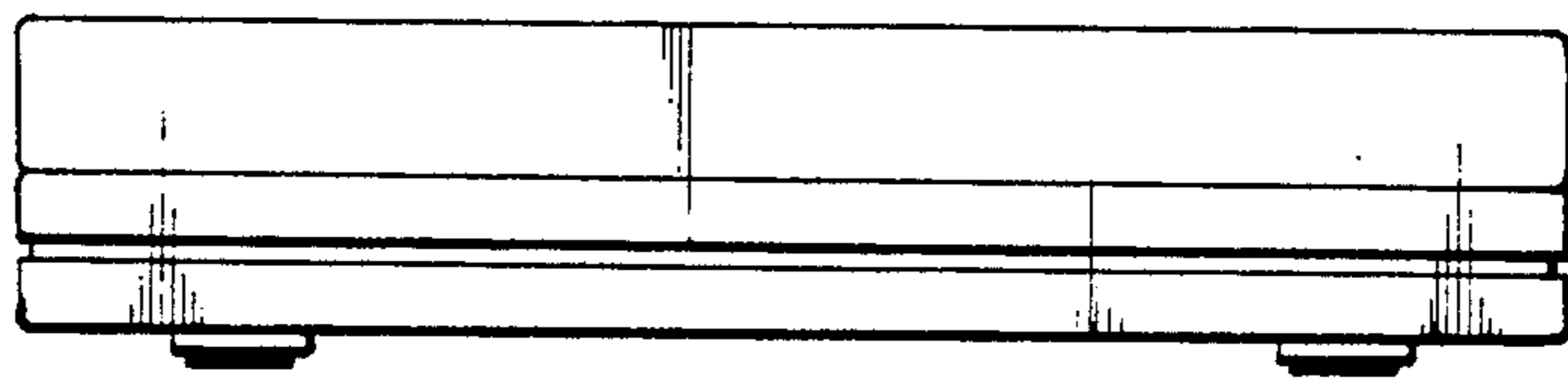


Fig. 2

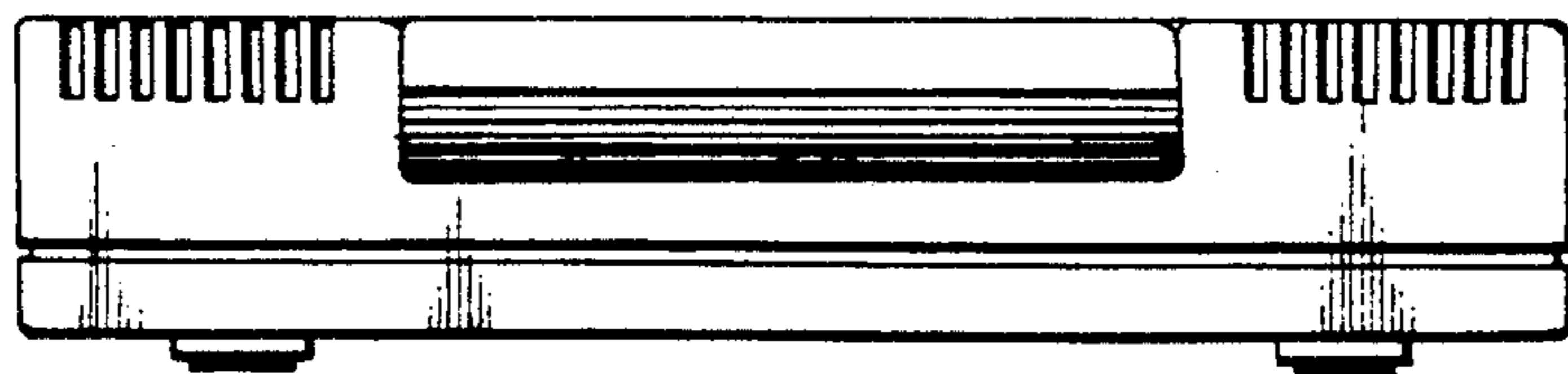


Fig. 3

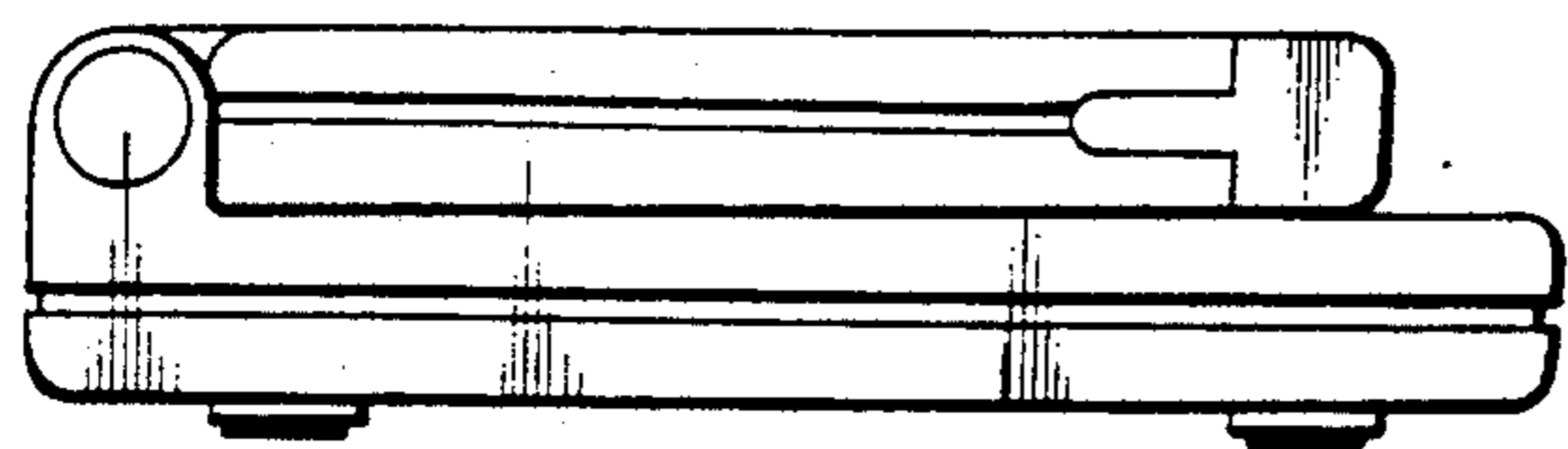


Fig. 4

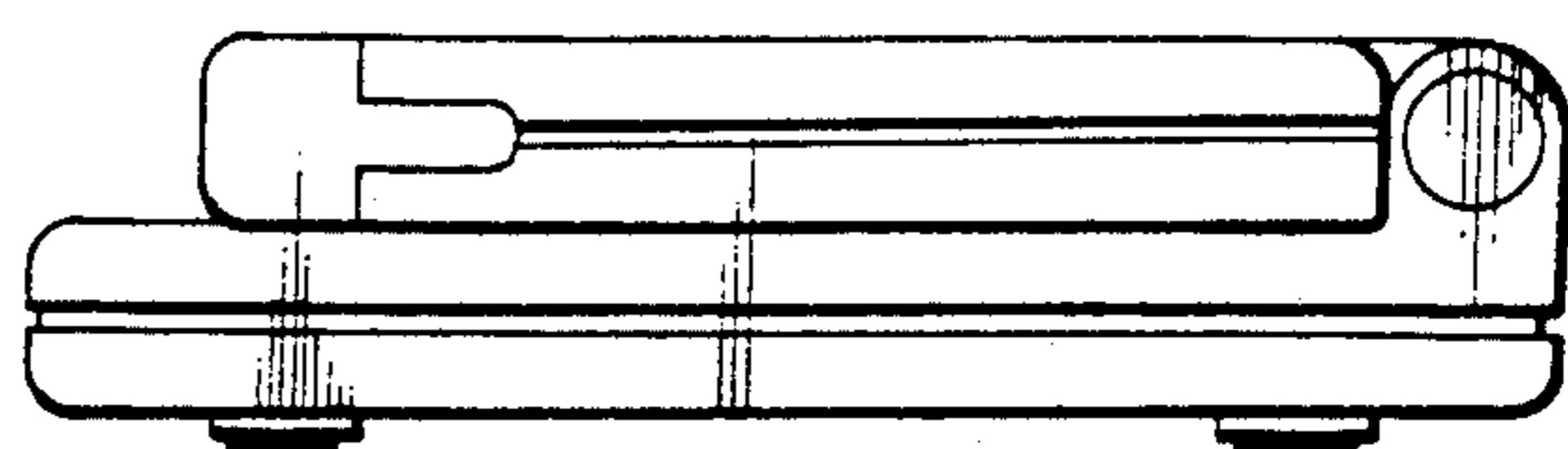


Fig. 5

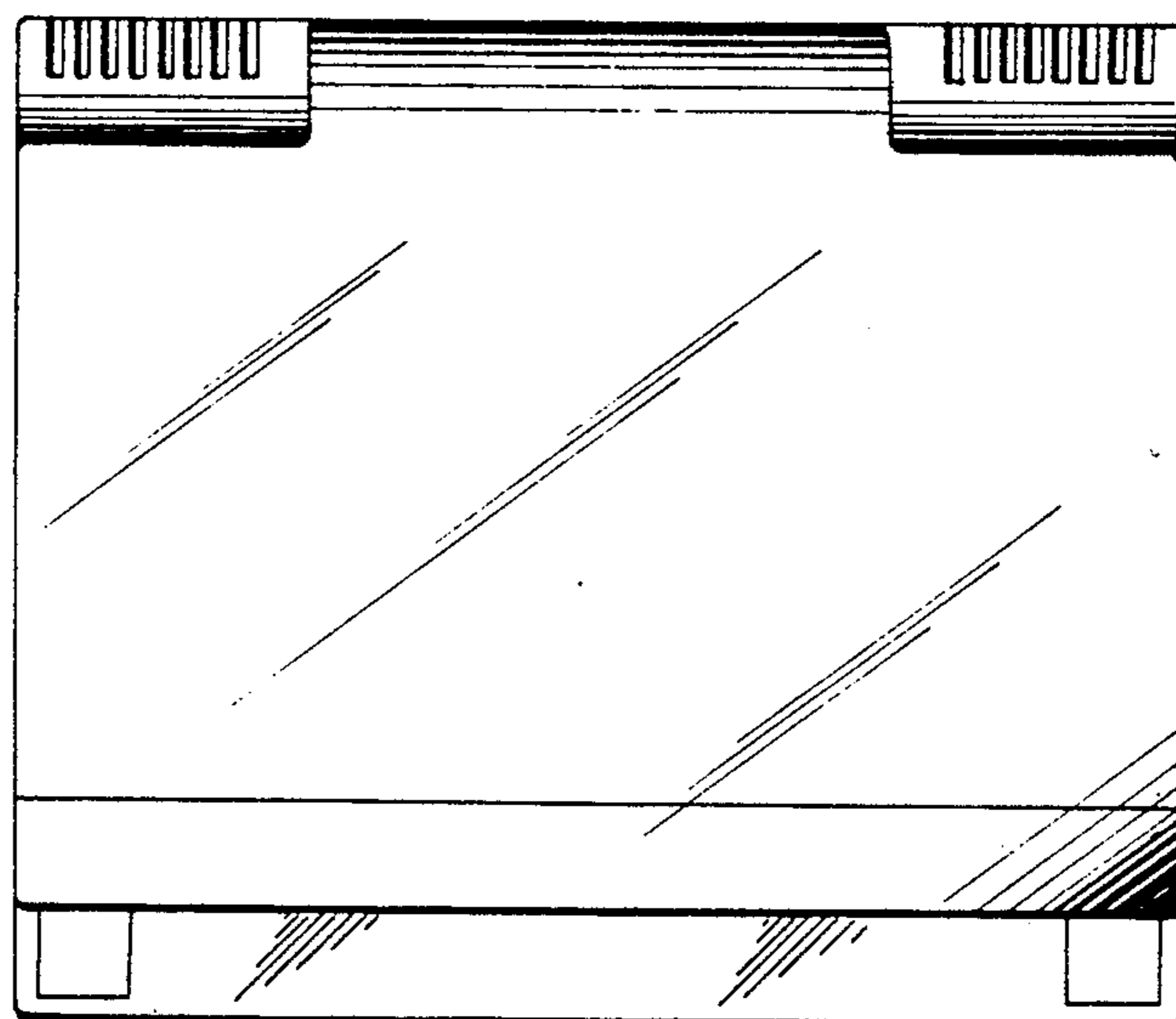


Fig. 6

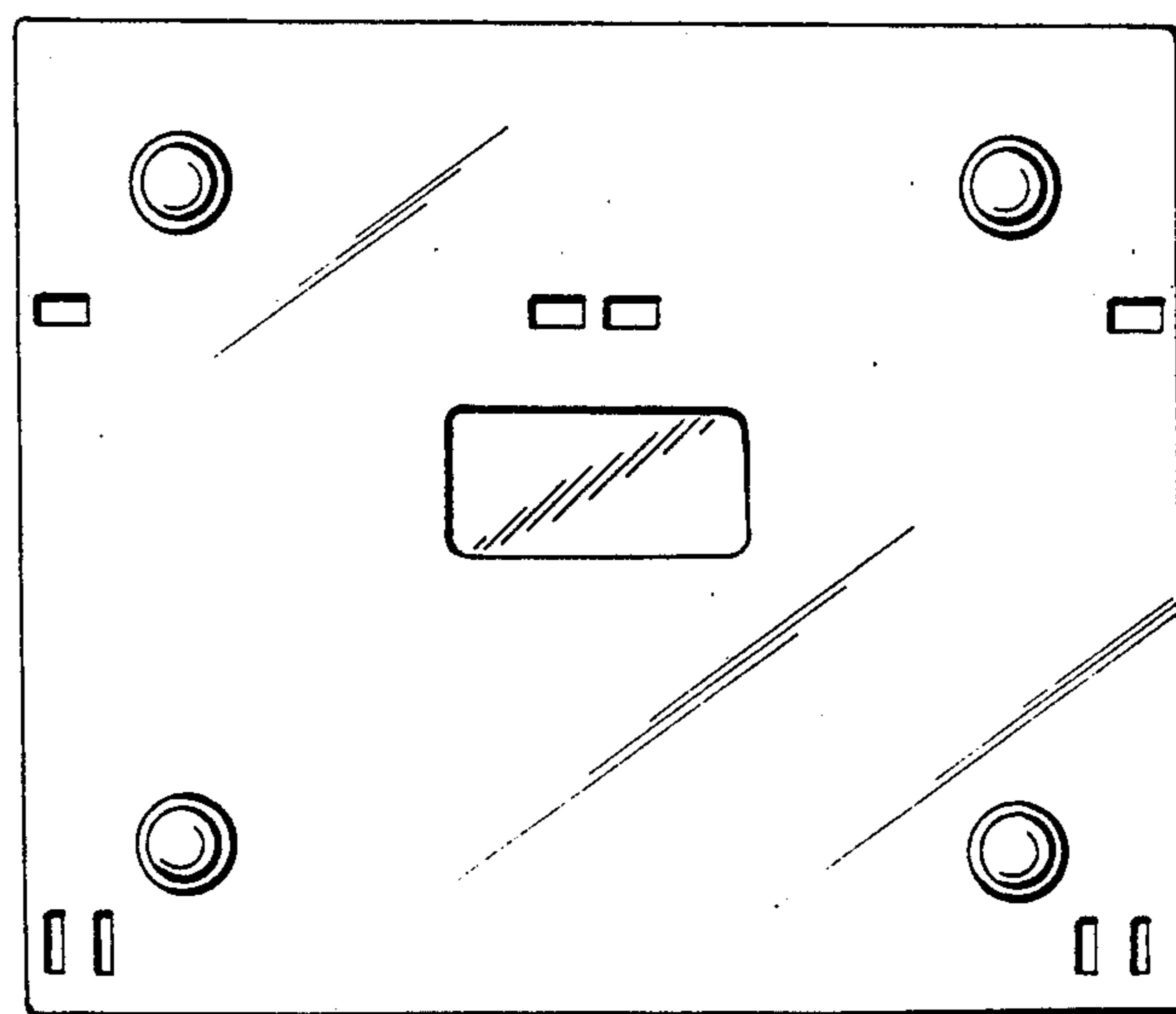


Fig. 7

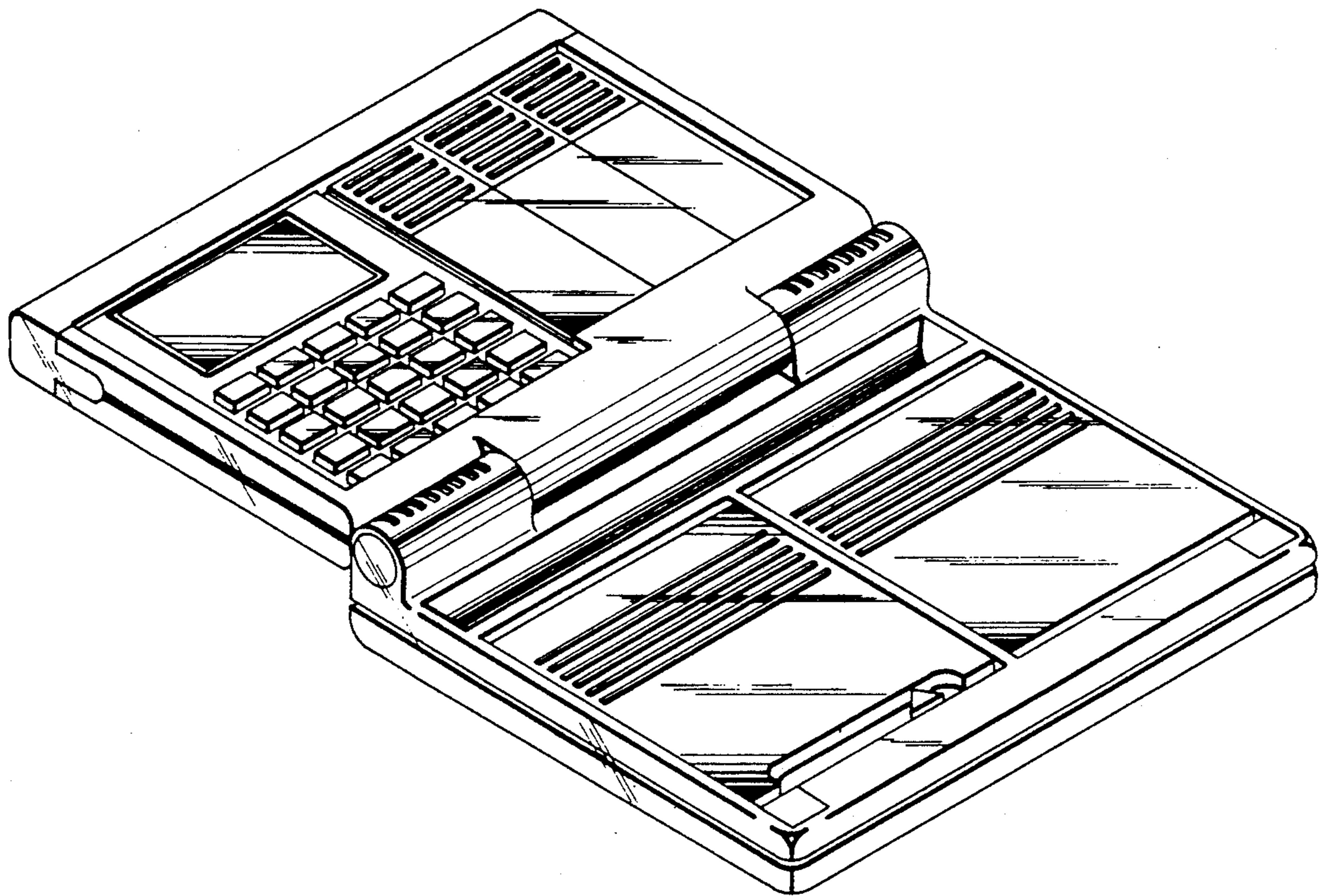


Fig. 8

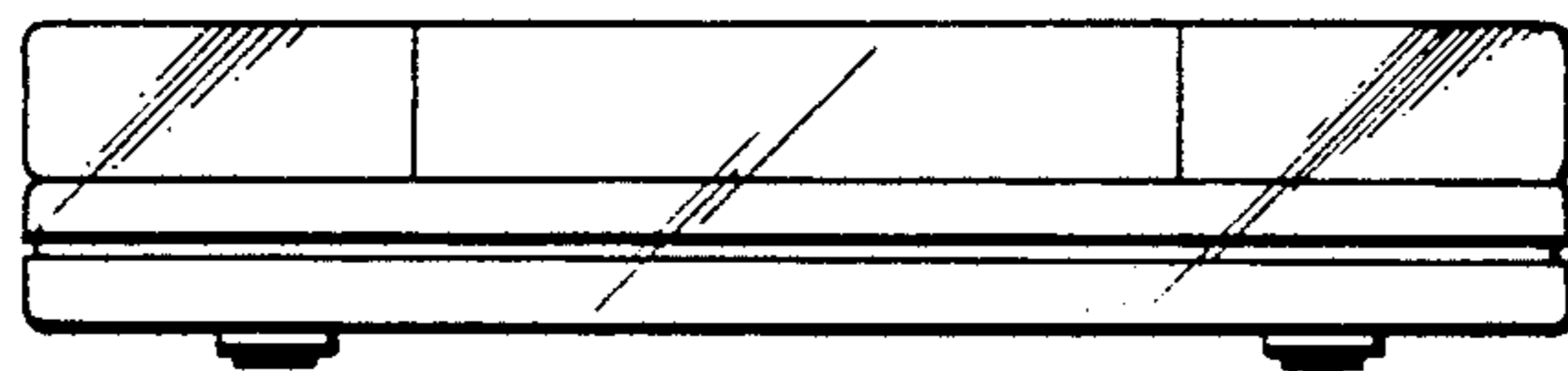


Fig. 9

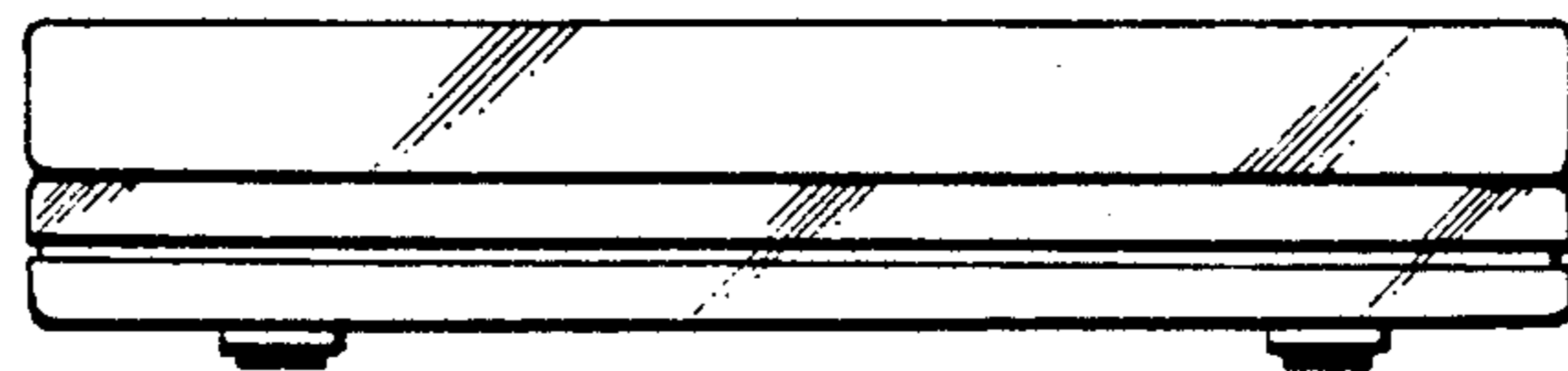


Fig. 10

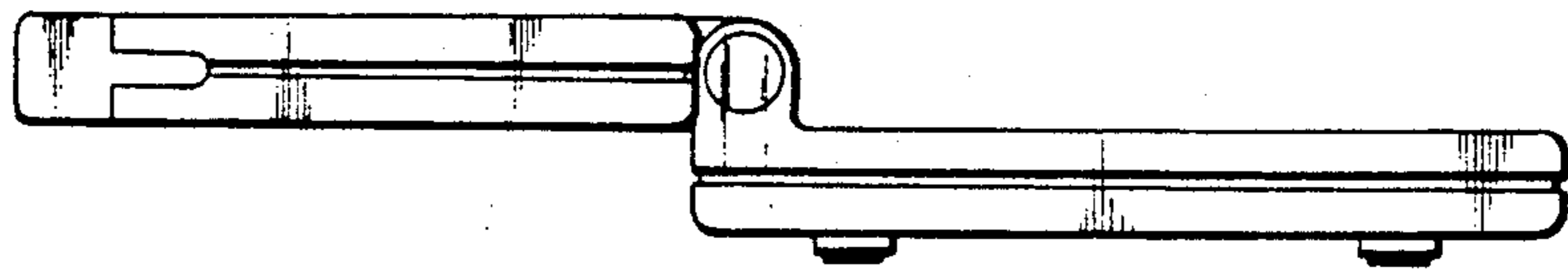


Fig. 11

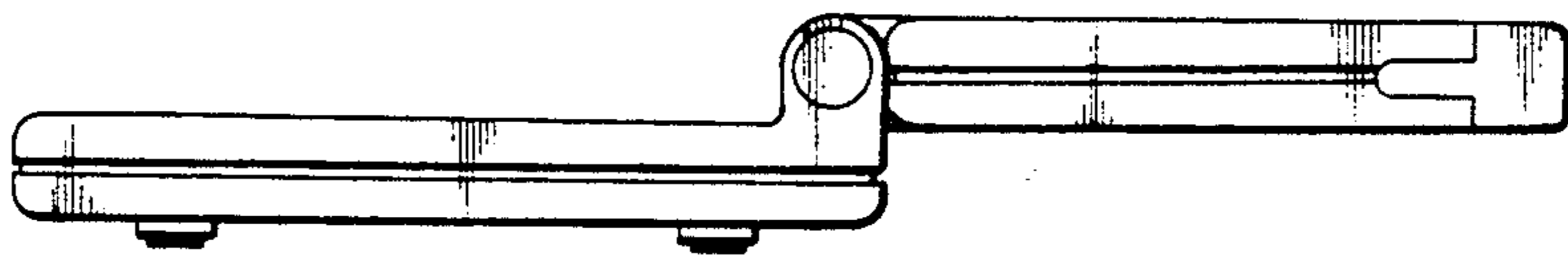


Fig. 12

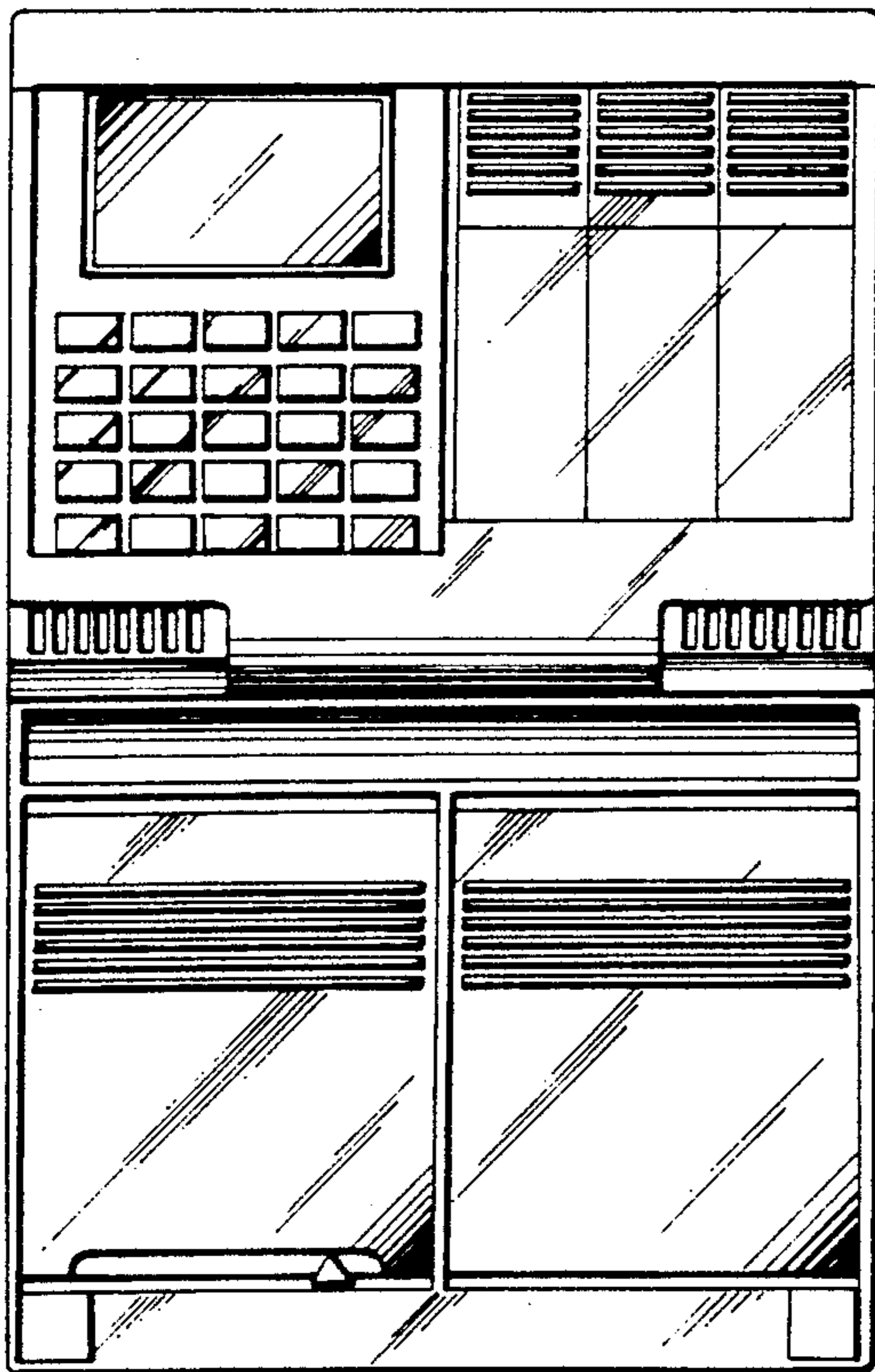


Fig. 13

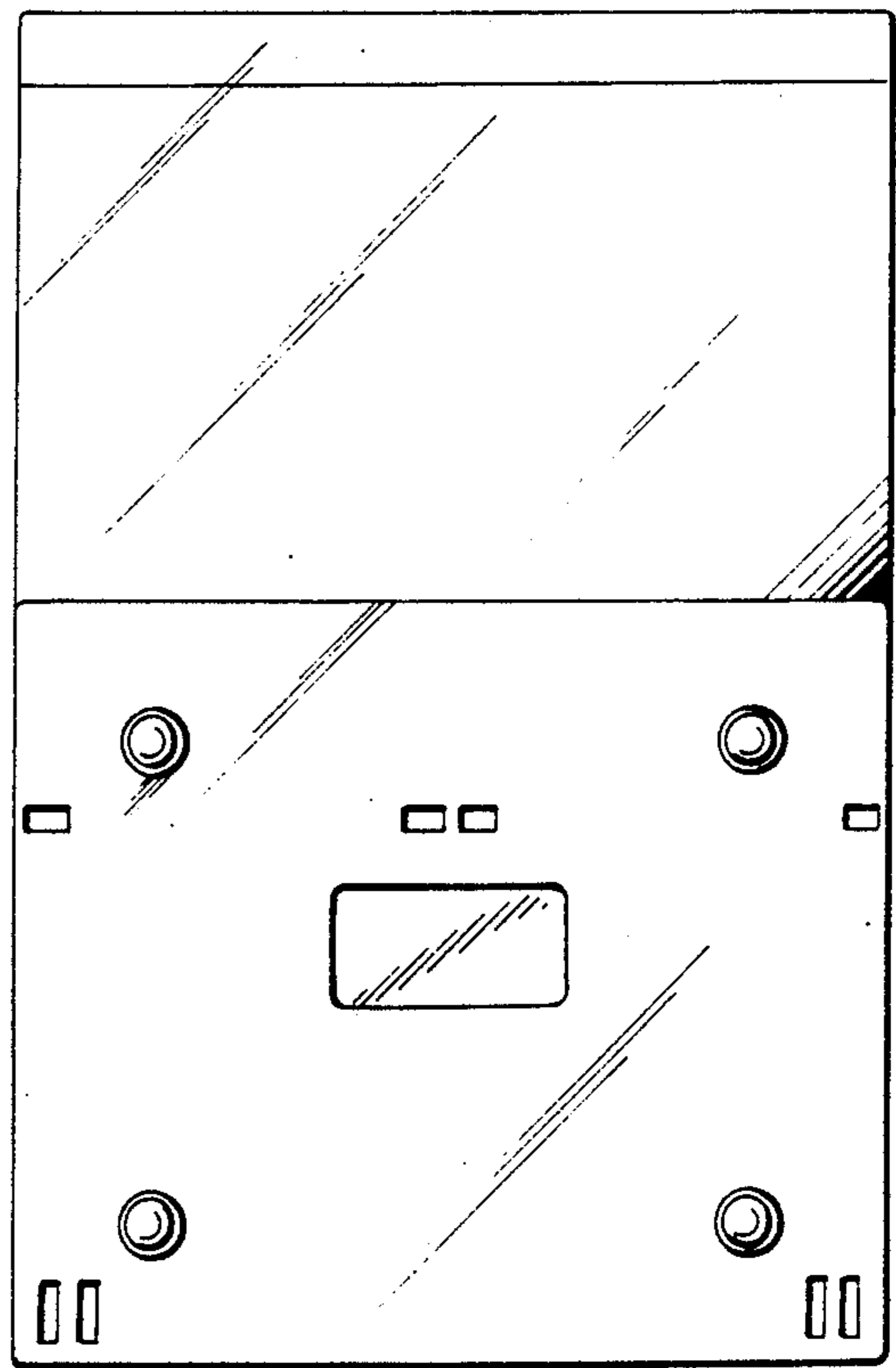


Fig. 14