

# United States Patent [19]

Clivio

[11] Patent Number: **Des. 319,644**

[45] Date of Patent: **\*\* Sep. 3, 1991**

[54] **LAWN TRIMMER**  
[75] Inventor: **Franco Clivio, Zürich, Switzerland**  
[73] Assignee: **Gardena Kress + Kastner GmbH, Fed. Rep. of Germany**

[\*\*] Term: **14 Years**  
[21] Appl. No.: **450,011**  
[22] Filed: **Dec. 12, 1989**

[30] **Foreign Application Priority Data**  
Jul. 4, 1989 [DE] Fed. Rep. of Germany ..... M8904724.9

[52] U.S. Cl. .... **D15/16**  
[58] Field of Search ..... **D15/10-18; 56/12.7, 234, 237, 239, 240, 249, 255, 289, 295, 297, DIG. 20; 30/276, 318, 388, 390, DIG. 5**

[56] **References Cited**  
**U.S. PATENT DOCUMENTS**  
D. 255,764 7/1980 Lombard ..... D15/12  
4,018,037 4/1977 Weber ..... 56/16.7

4,023,332 5/1977 Achenbach et al. .... 30/DIG. 5  
4,285,128 8/1981 Schnell et al. .... 30/276  
4,501,332 2/1985 Straayer ..... 30/276  
4,648,464 3/1987 Huxley ..... 56/16.7  
4,651,422 3/1987 Everts ..... 56/12.7  
4,825,548 5/1989 Driggers ..... 56/12.7

*Primary Examiner*—B. J. Bullock  
*Assistant Examiner*—Sandra Morris  
*Attorney, Agent, or Firm*—Eckert Seamans Cherin & Mellott

## [57] CLAIM

The ornamental design for a lawn trimmer, as shown.

## DESCRIPTION

FIG. 1 is a perspective view of a lawn trimmer, showing my new design;  
FIG. 2 is a right side elevational view thereof;  
FIG. 3 is a front elevational view thereof;  
FIG. 4 is a rear elevational view thereof;  
FIG. 5 is a left side elevational view thereof;  
FIG. 6 is a top plan view thereof;  
FIG. 7 is a bottom plan view thereof.

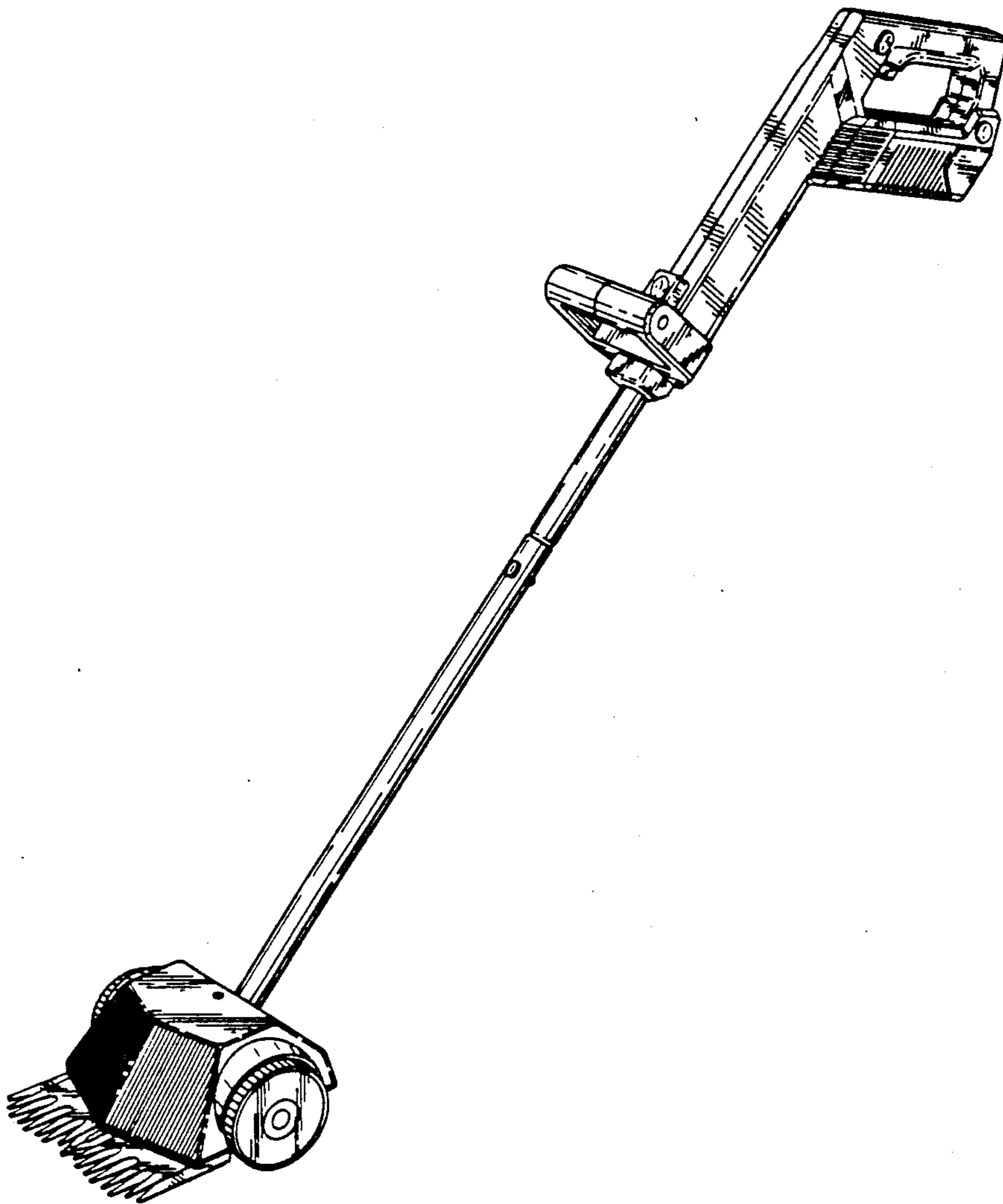
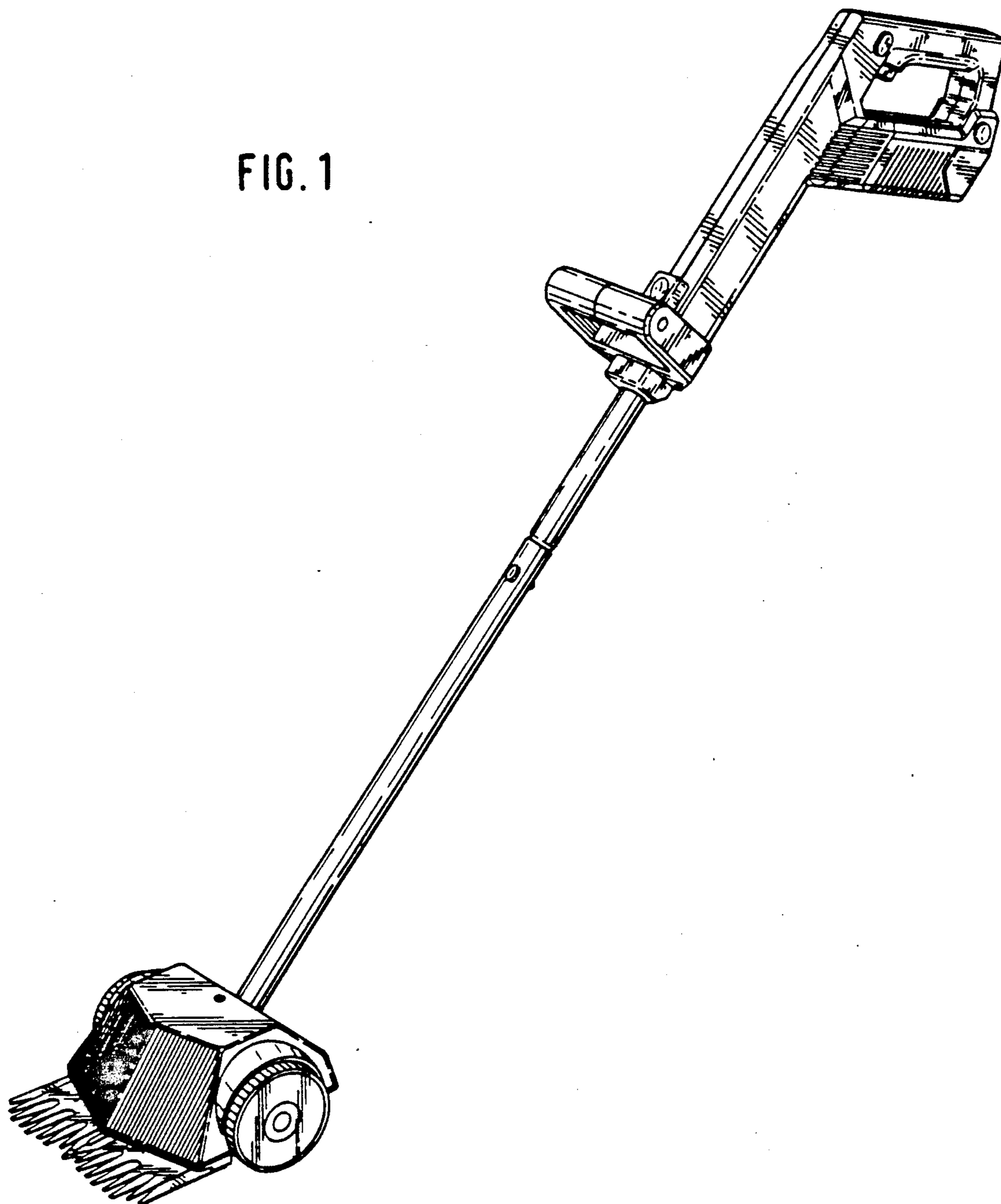


FIG. 1



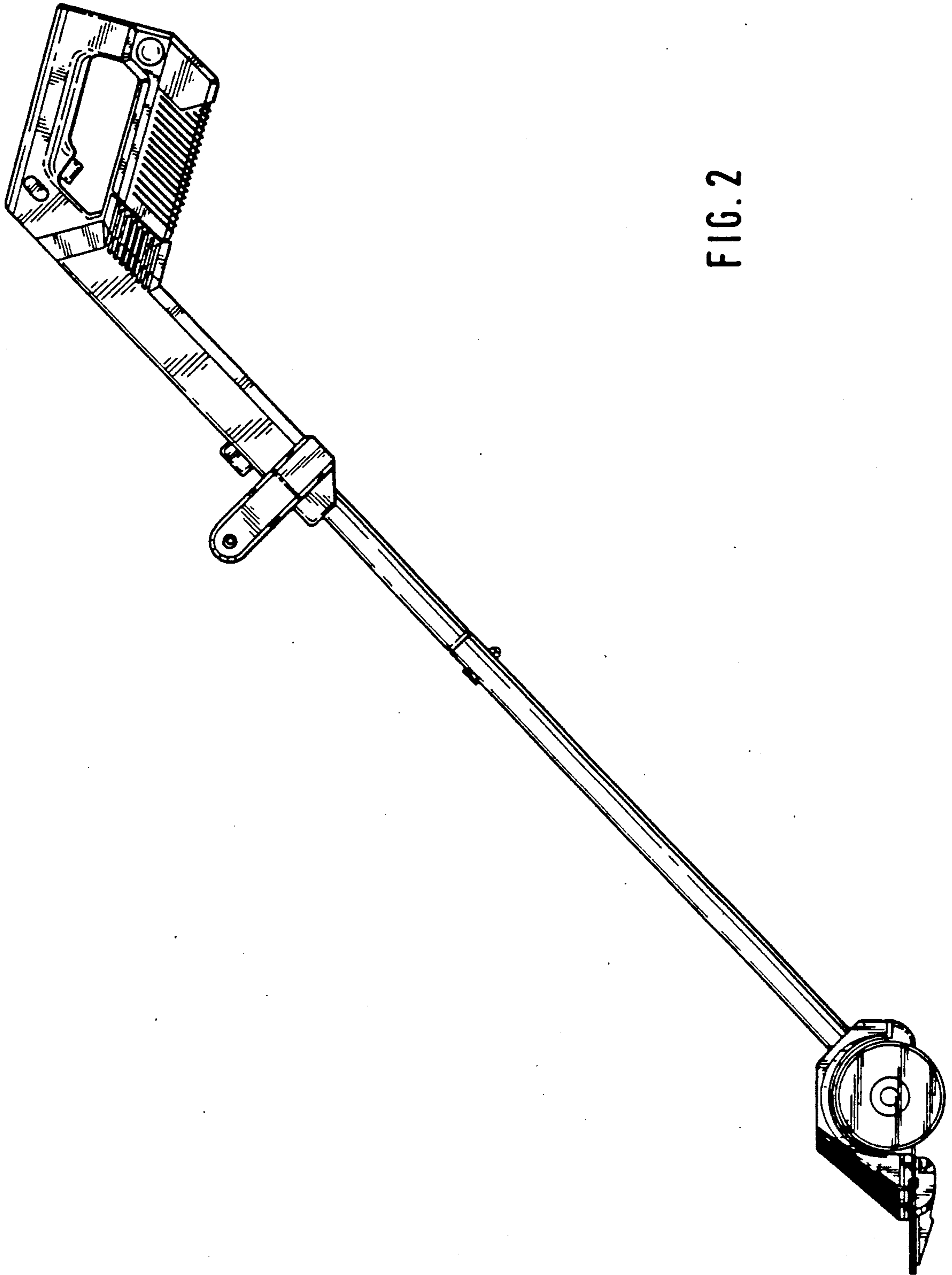


FIG. 2

FIG. 3

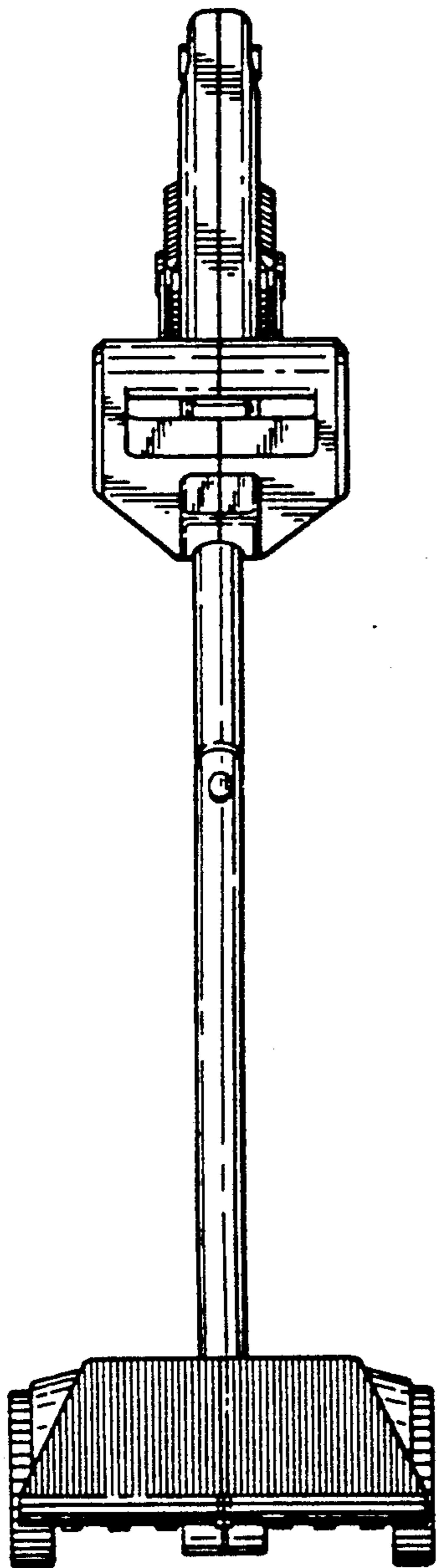


FIG. 4

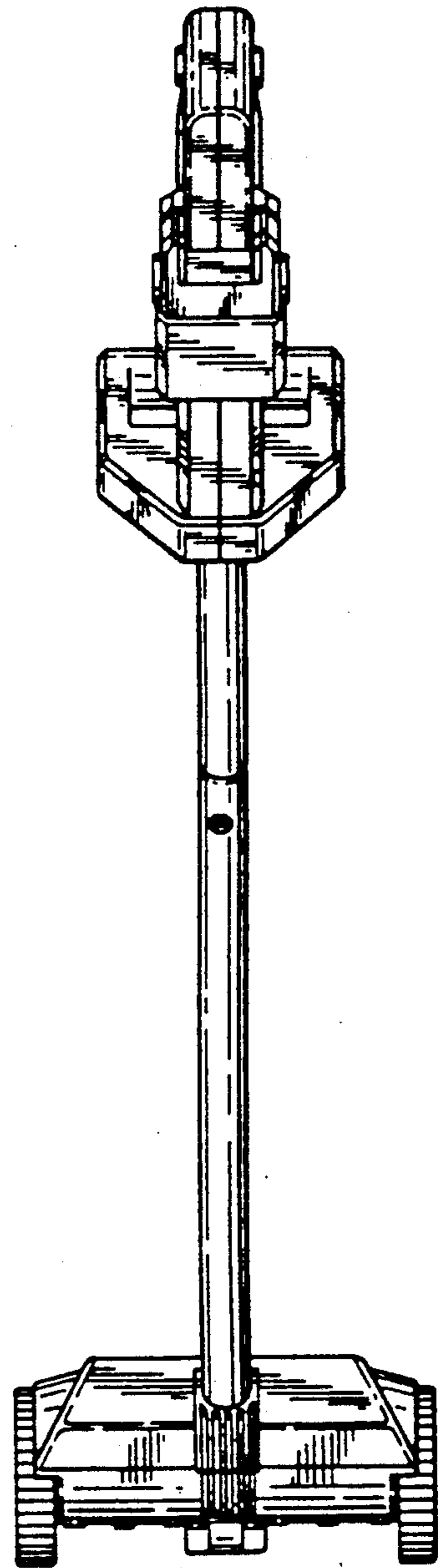


FIG. 5

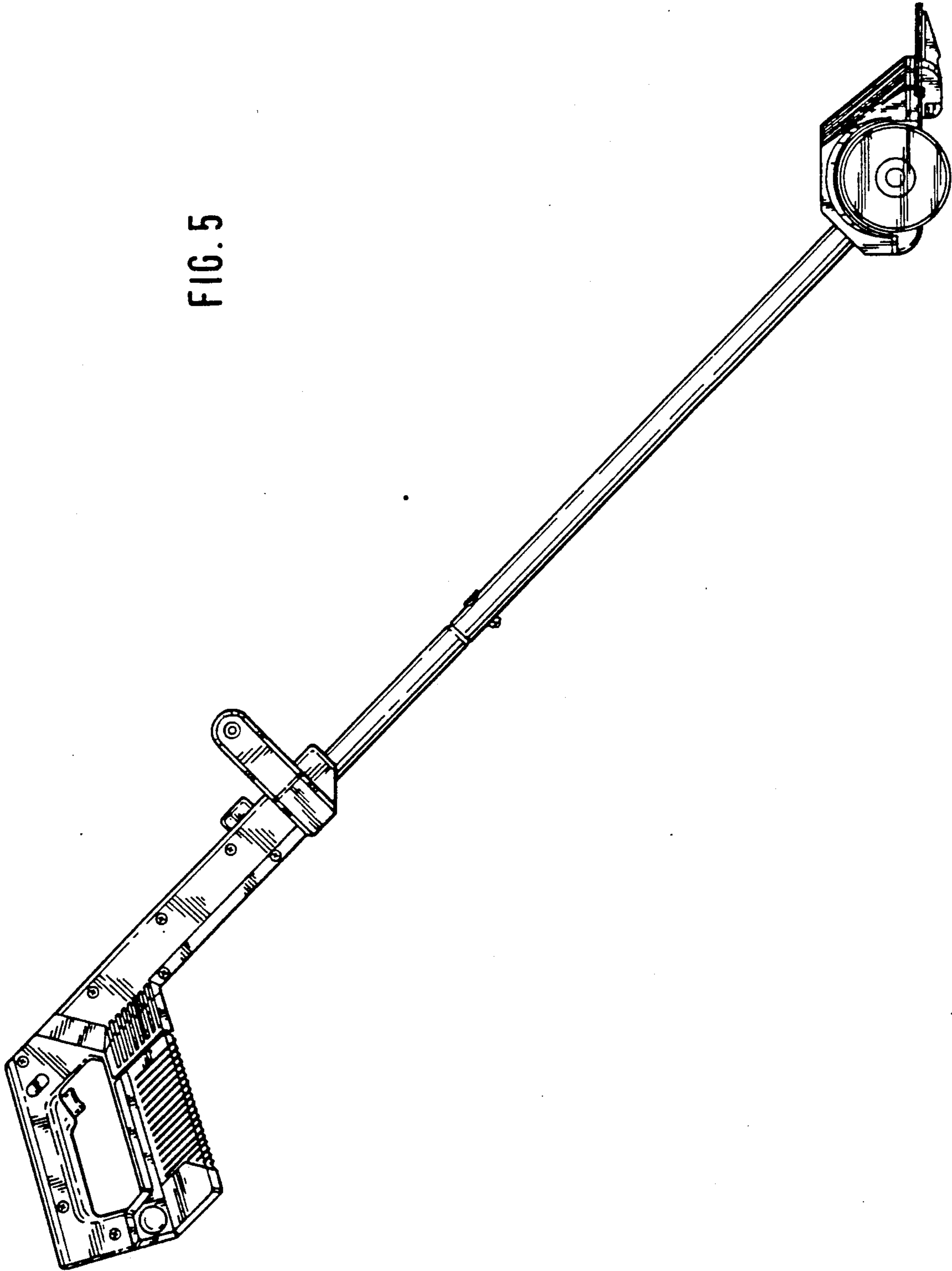


FIG. 6

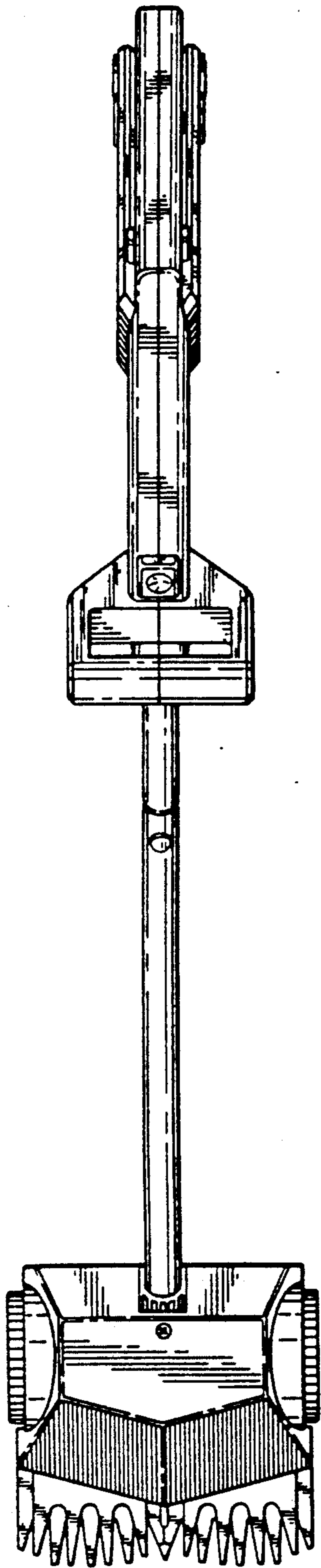


FIG. 7

