

[54] TELEPHONE SET

[76] Inventor: Bill Goralski, 110 Wigton Cir.,
Perkasie, Pa. 18944

[**] Term: 14 Years

[21] Appl. No.: 410,681

[22] Filed: Sep. 21, 1989

[52] U.S. Cl. D14/143; D14/248;
D14/142; D14/246; D14/253

[58] Field of Search D14/143, 147; D11/133;
379/434, 436, 433, 428, 440

[56] References Cited

U.S. PATENT DOCUMENTS

D. 41,685	8/1911	Gallatin	D14/143
D. 196,653	10/1963	Mattke	D14/147
D. 211,362	6/1968	Janda	D14/147
D. 244,208	5/1977	Bliven	D14/147
D. 261,873	11/1981	Marchand	D11/131
D. 266,926	11/1982	Thomas	D14/143
D. 288,184	2/1987	Lee	D11/131
D. 290,004	5/1987	Kuo	D14/143
D. 297,732	9/1988	Chan	D14/147 X
D. 300,790	4/1989	Beckwith	D11/131

OTHER PUBLICATIONS

"ID's Third Annual Survey of Design Schools", *ID* magazine, Sept./Oct. 1988.

"U.S.A. Weekend's Tip-Off on Trends: What's Next? The Shape of Things to Come", *U.S.A. Weekend*, Mar. 10-12, 1989.

Primary Examiner—Horace B. Fay, Jr.
Attorney, Agent, or Firm—Seidel, Gonda, Lavorgna & Monaco

[57] CLAIM

The ornamental design for a telephone set, as shown and described.

DESCRIPTION

FIG. 1 is a front, top and right side perspective view of a first embodiment of a telephone set showing my design in cradled status;

FIGS. 2 and 3 are respectively front and rear elevational views thereof;

FIGS. 4 and 5 are respectively right and left side elevational view thereof;

FIGS. 6 and 7 are respectively top and bottom plan views thereof;

FIG. 8 is a front, top and right side perspective view of a second embodiment of the telephone;

FIGS. 9 and 10 are respectively front and rear thereof;

FIGS. 11 and 12 are respectively right and left side elevational view thereof; and

FIGS. 13 and 14 are respectively top and bottom plan views thereof.

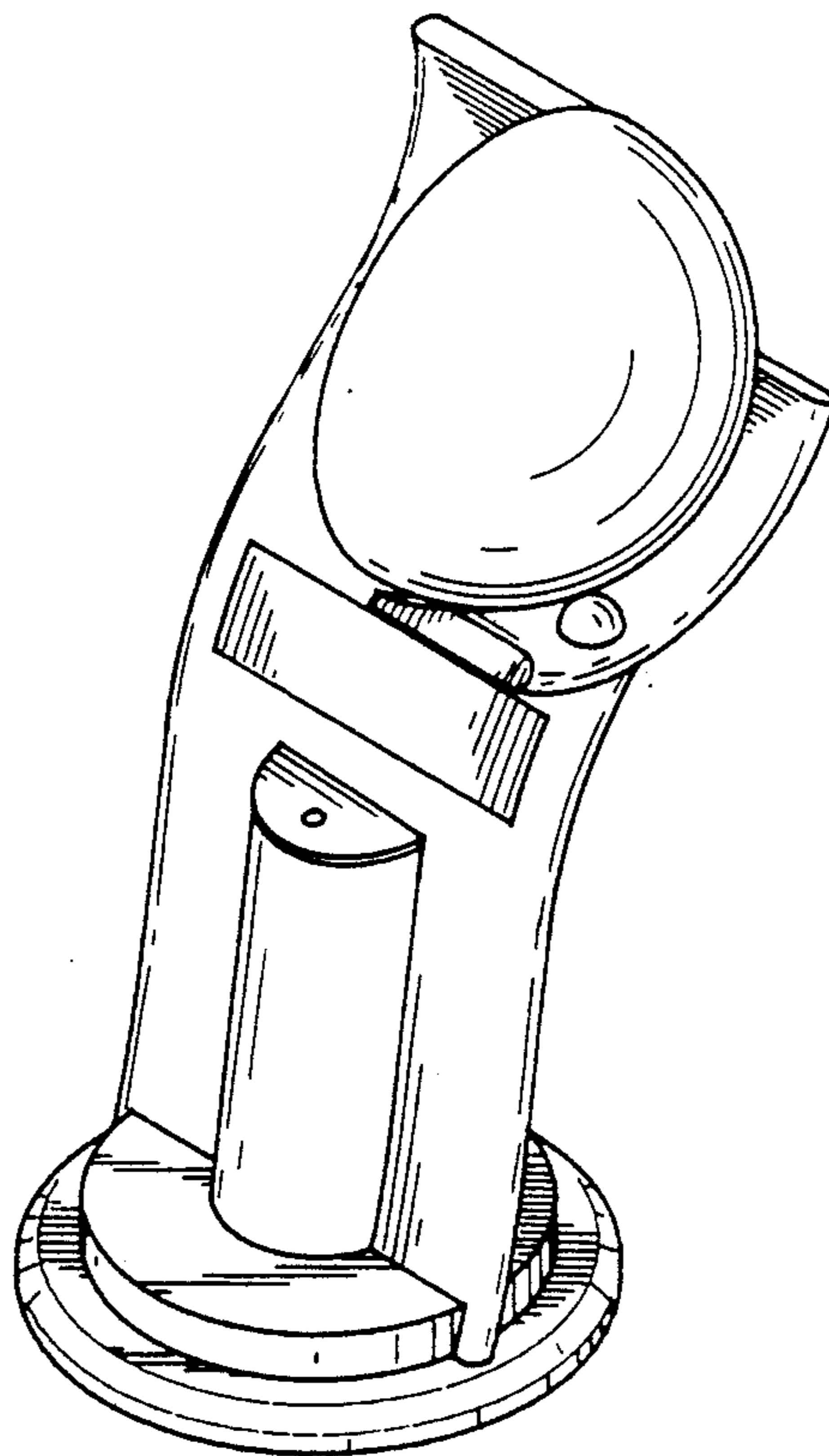
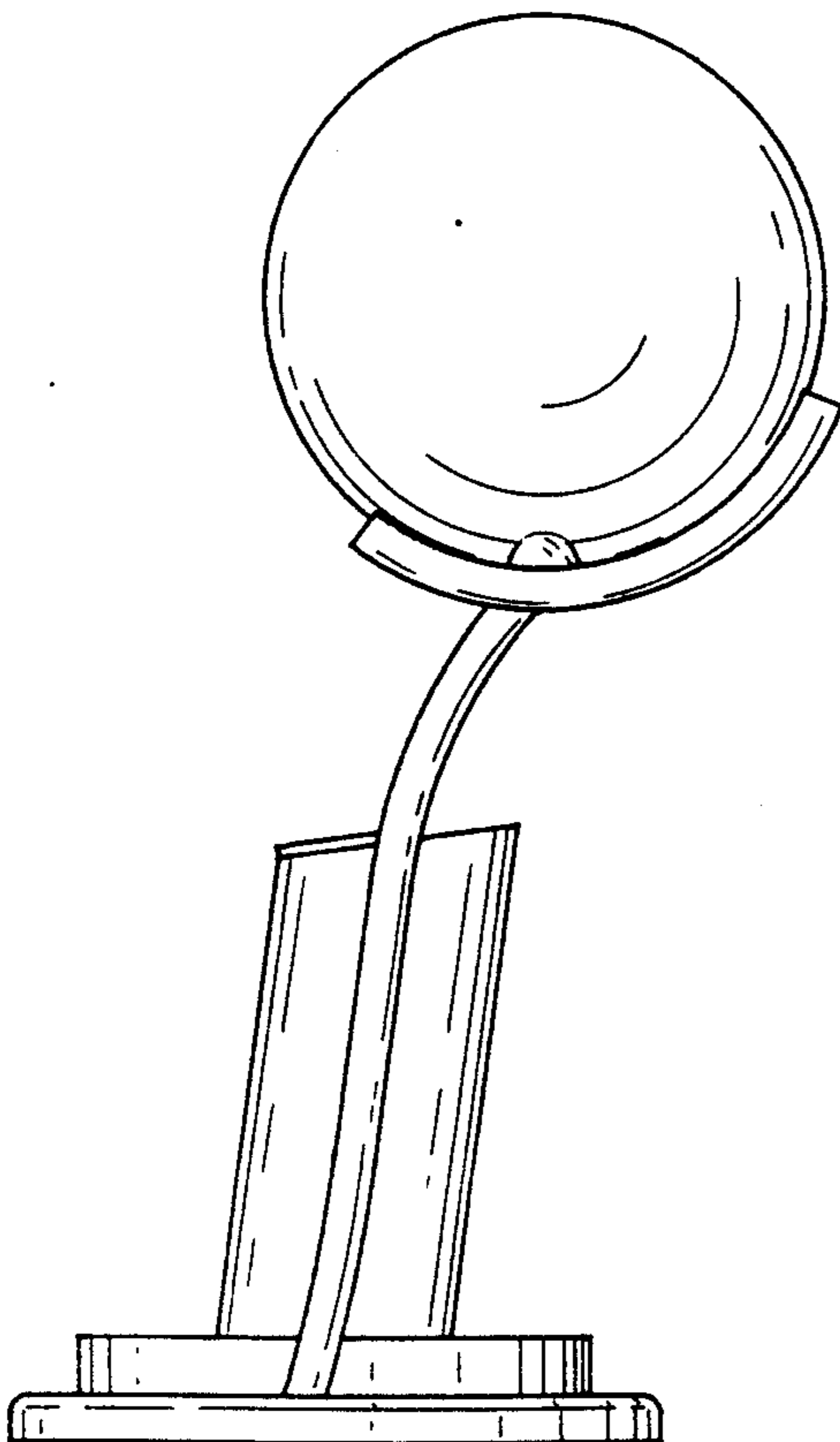


FIG. 8

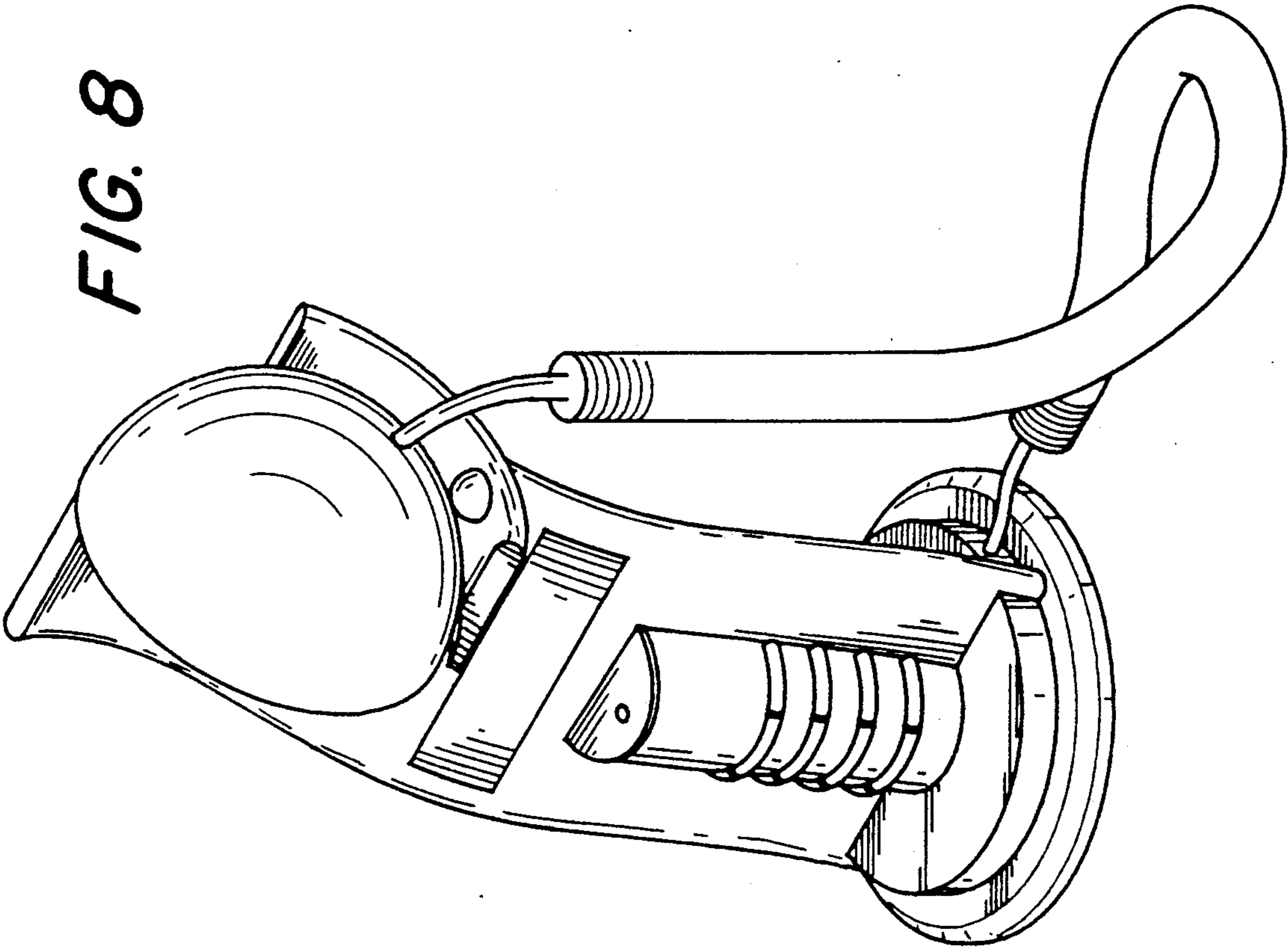
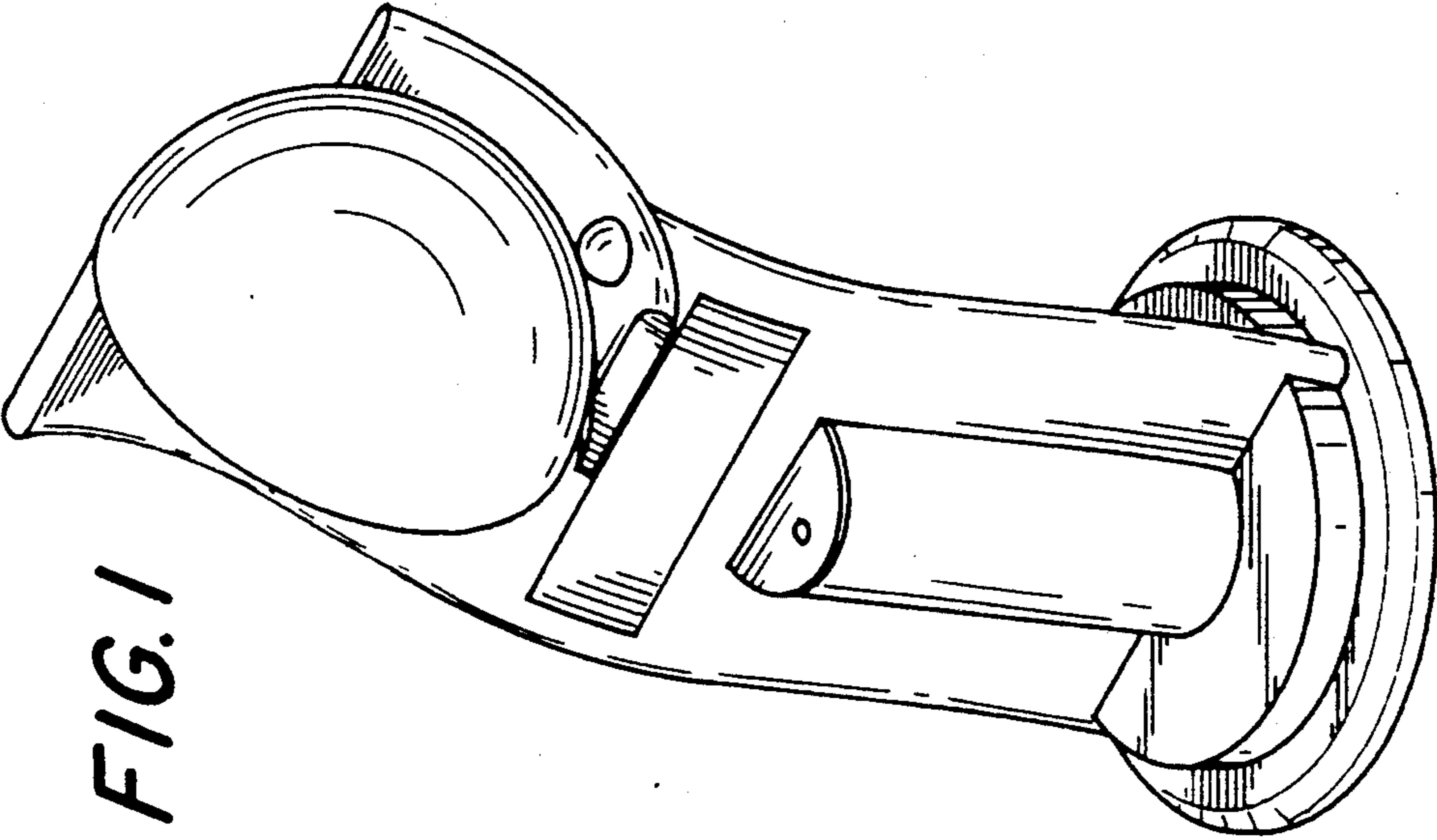


FIG. 1



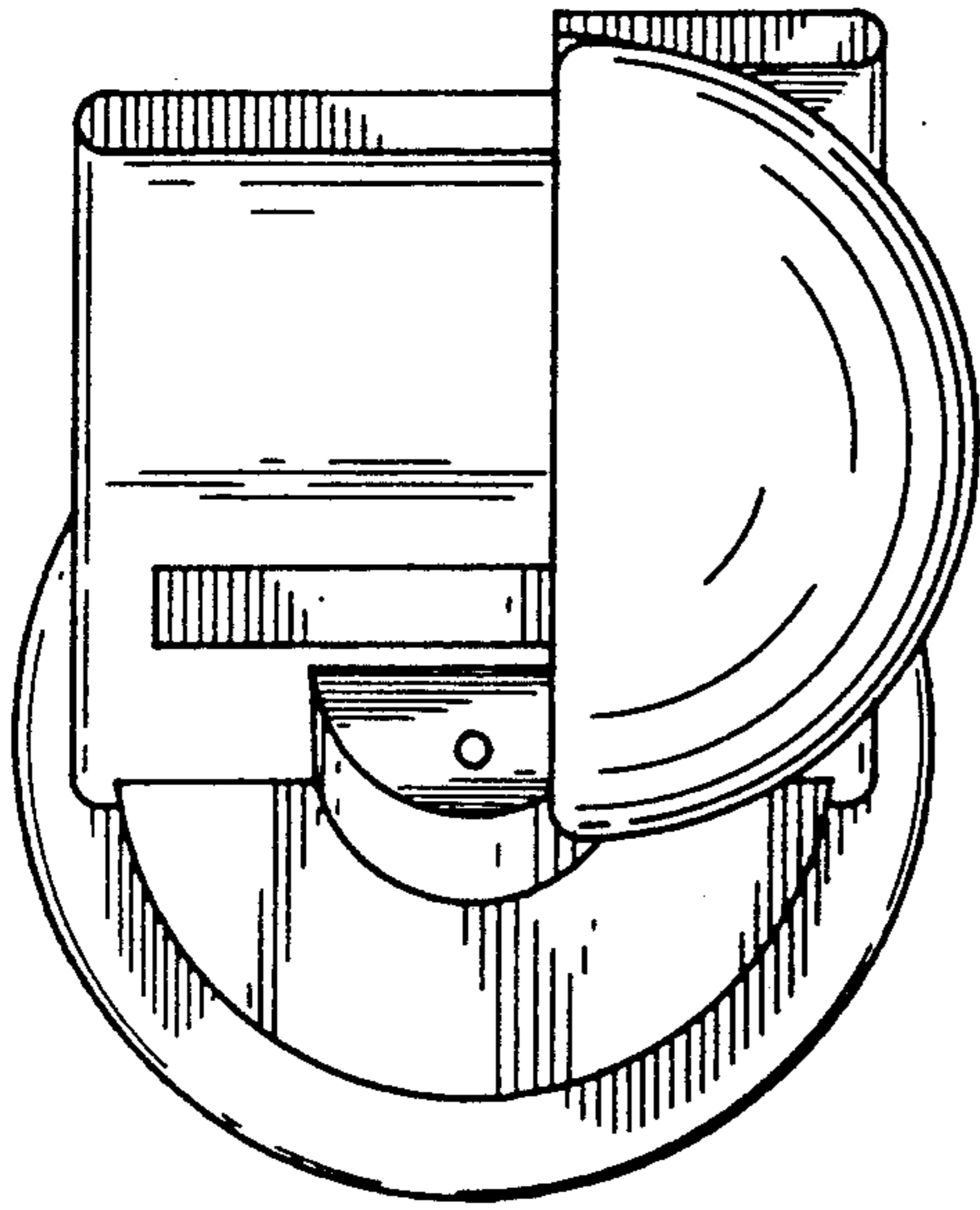


FIG. 6

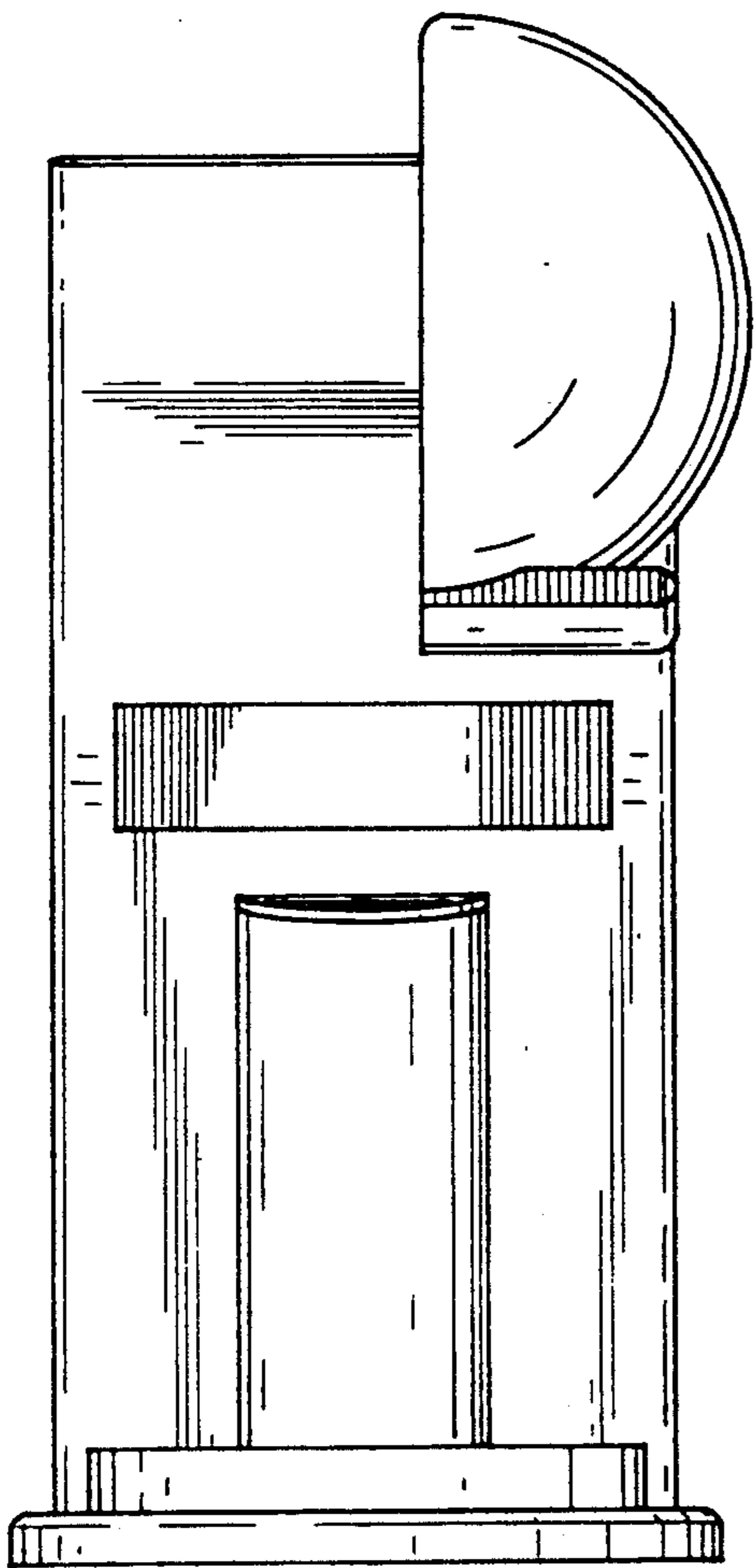


FIG. 2

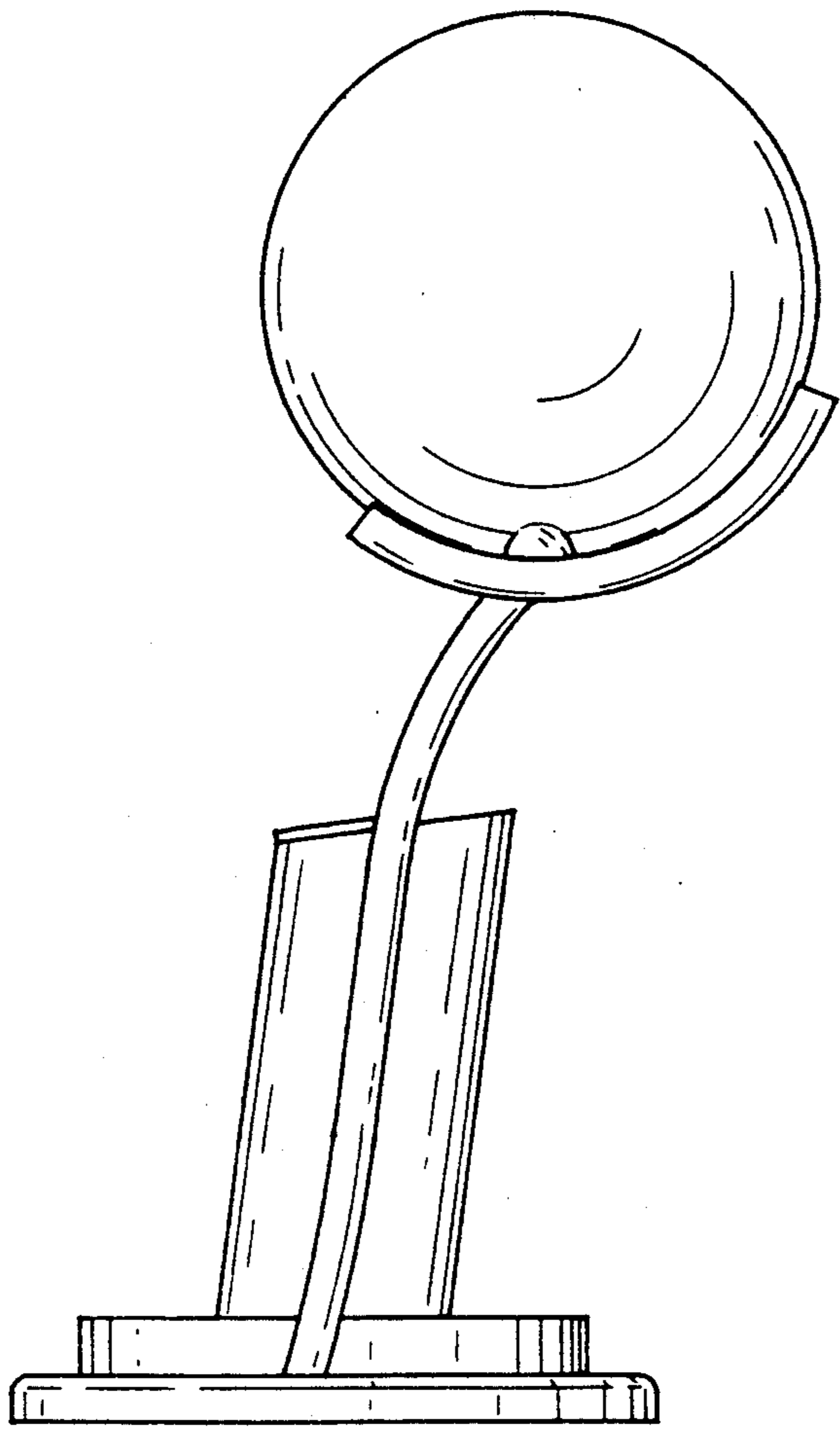


FIG. 4

FIG. 3

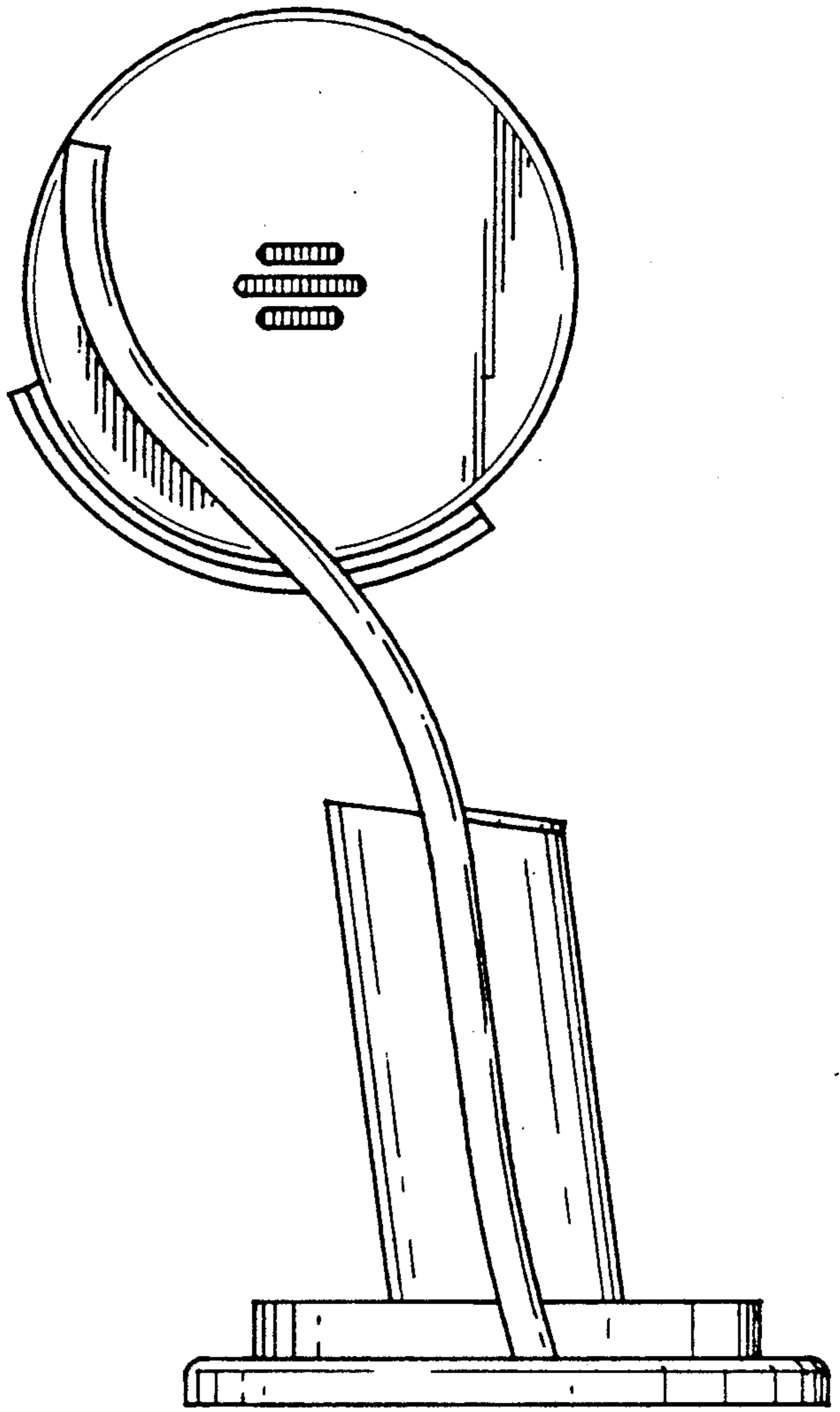
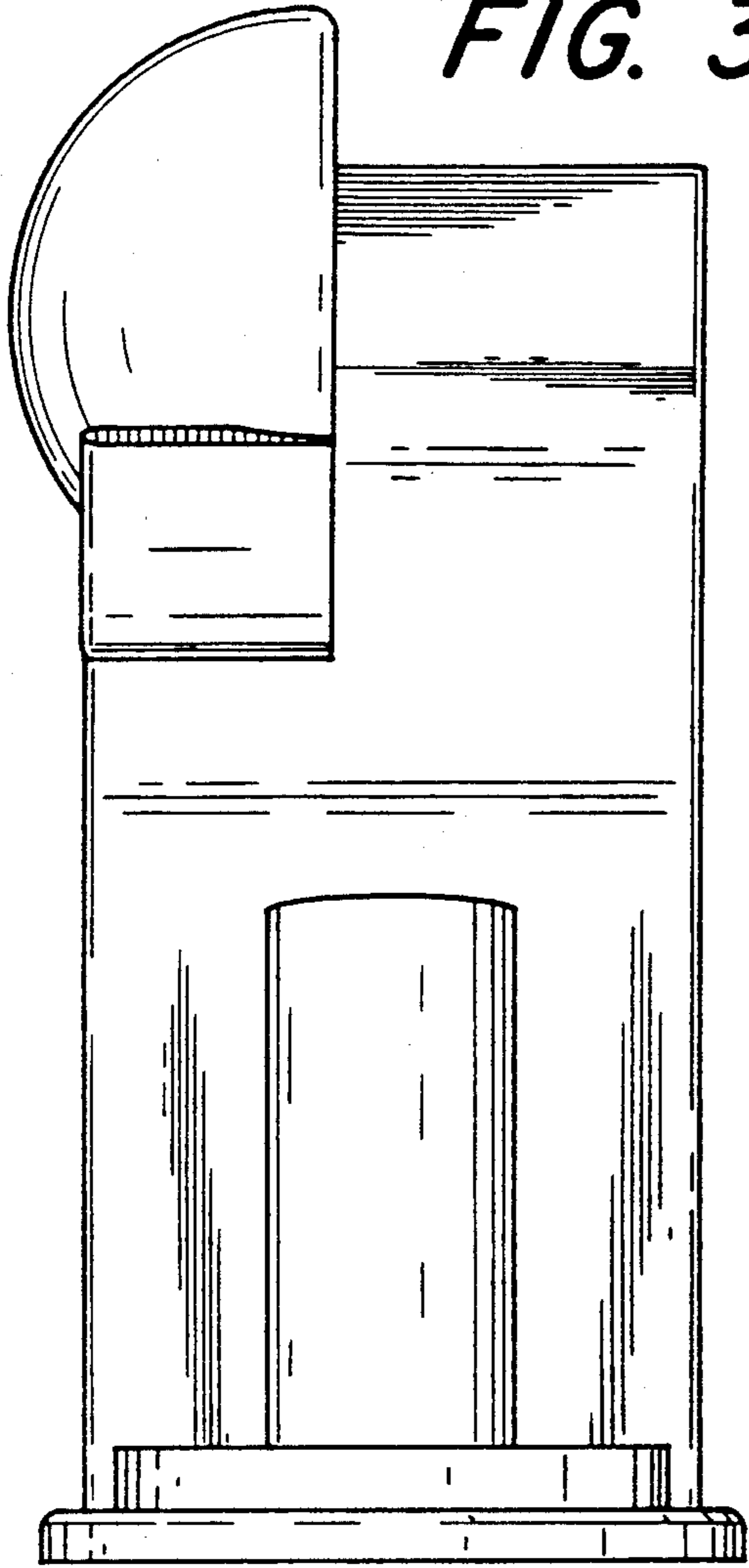


FIG. 5

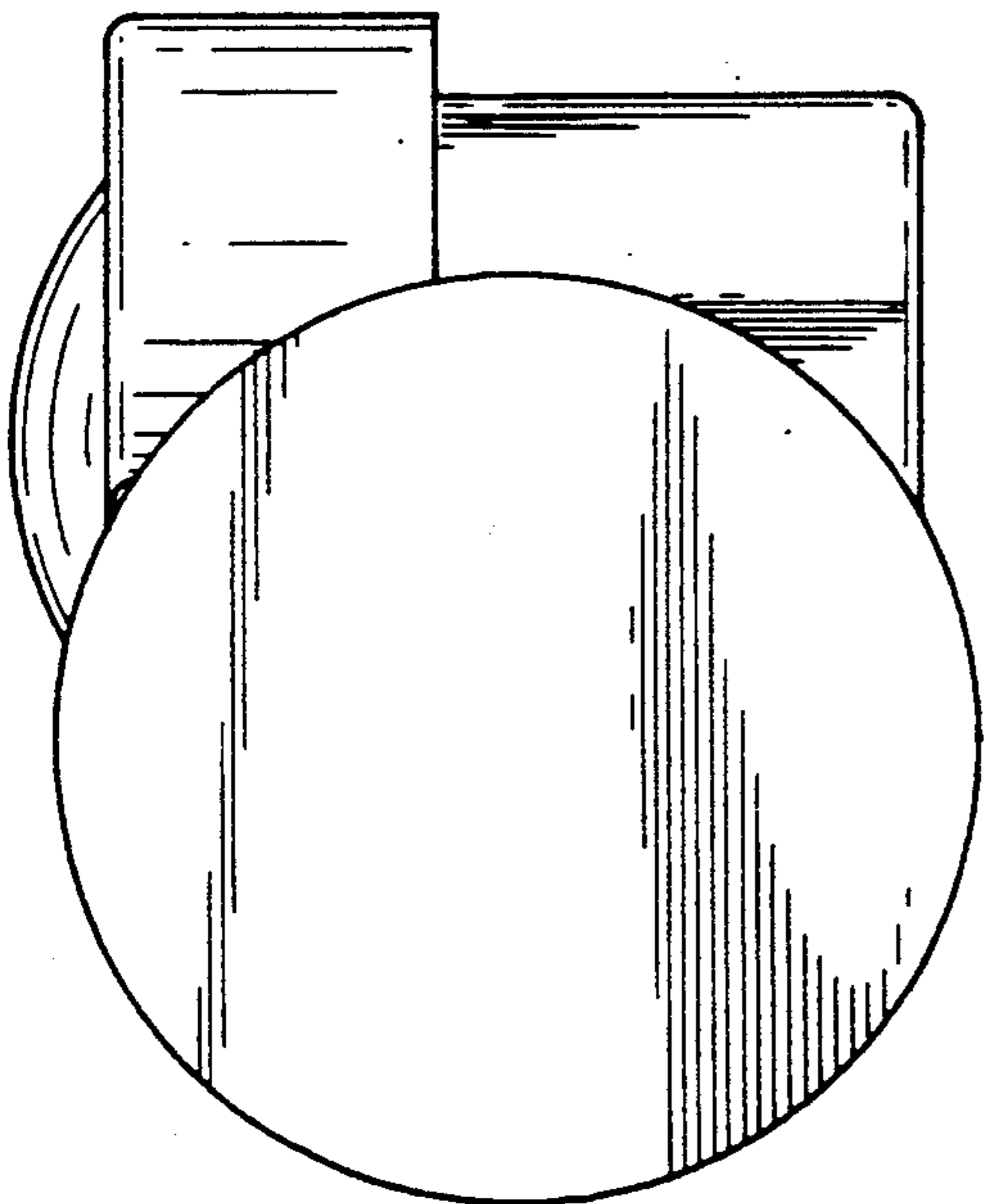


FIG. 7

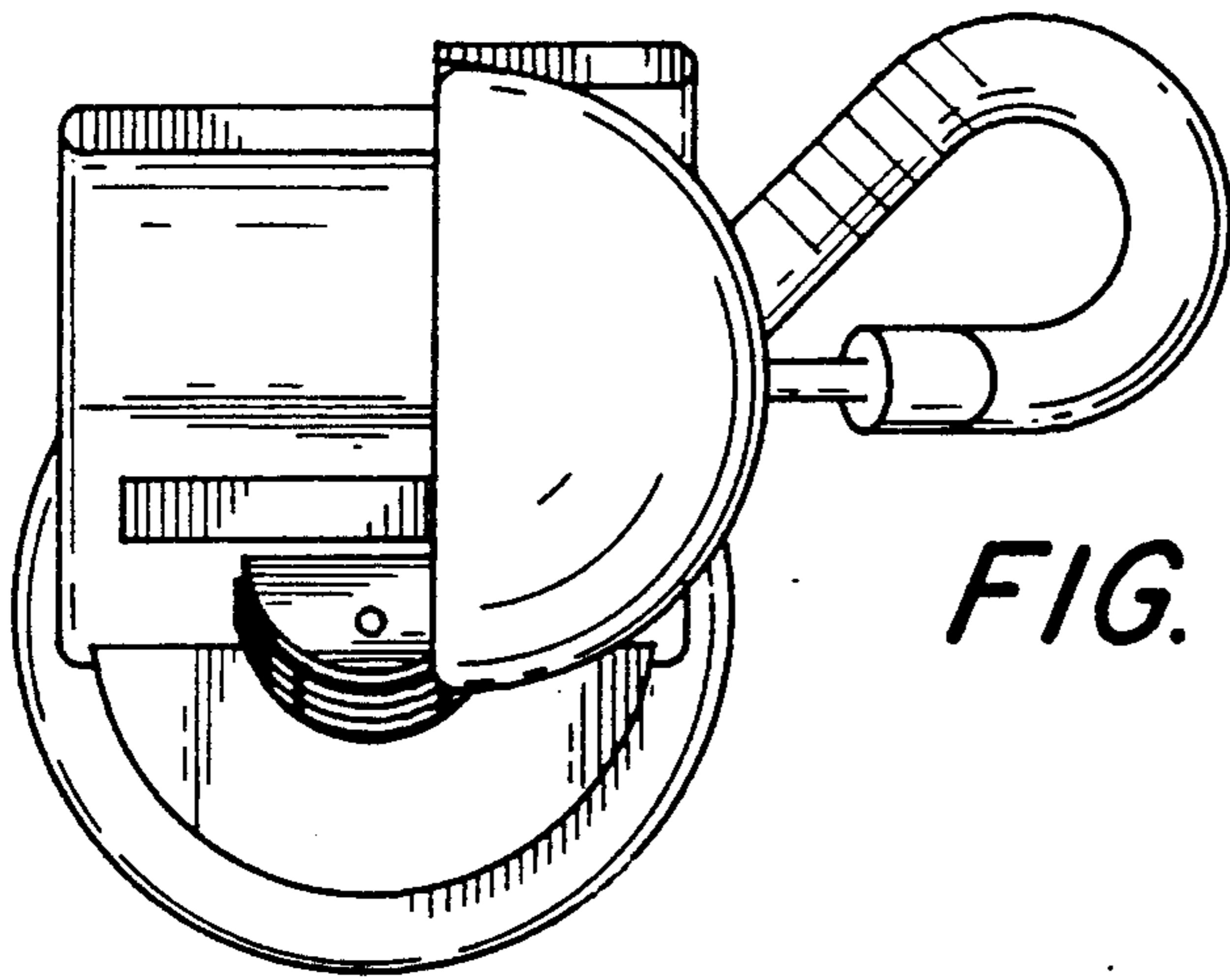


FIG. 13

FIG. 11

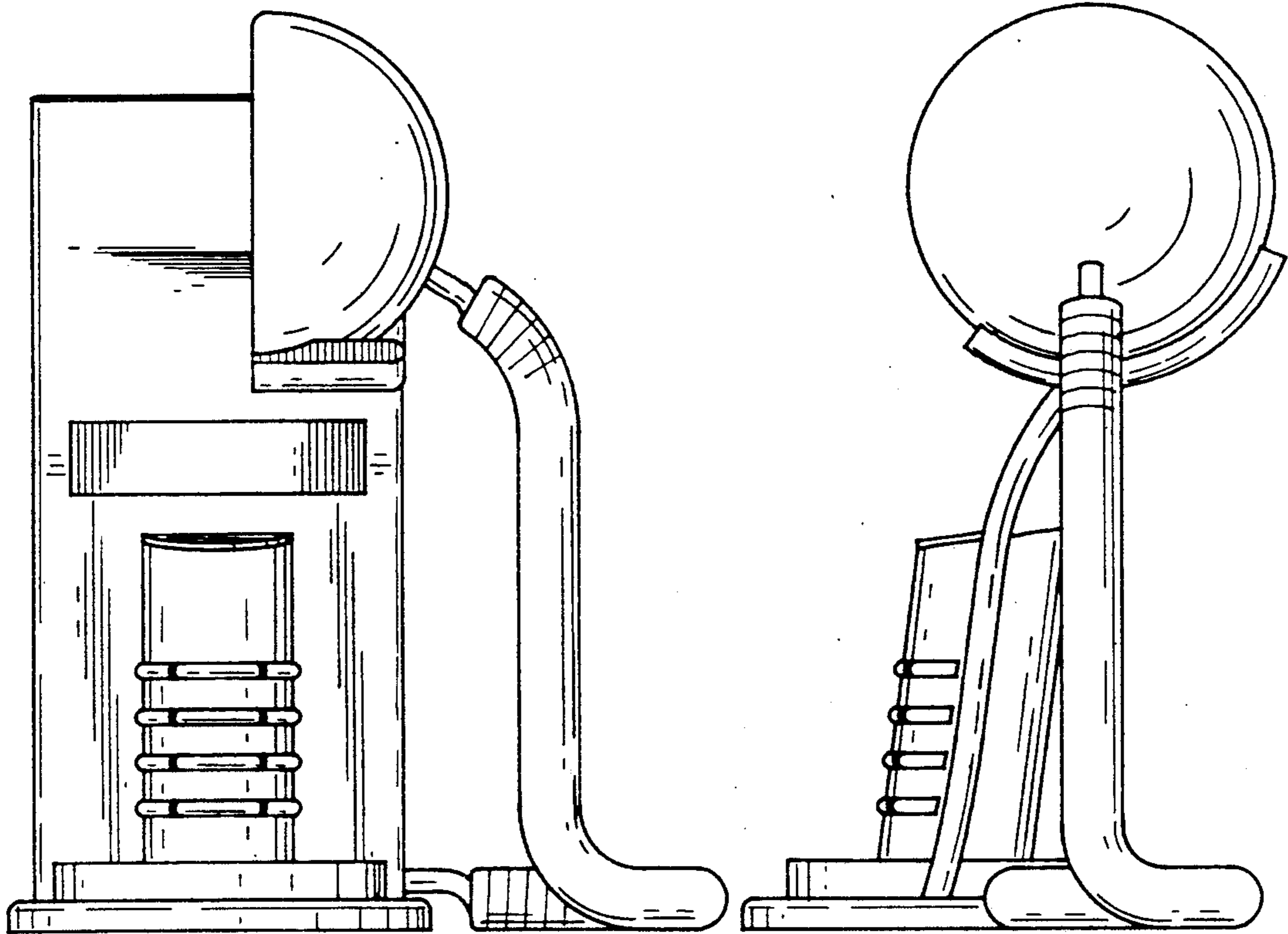


FIG. 9

FIG. 10

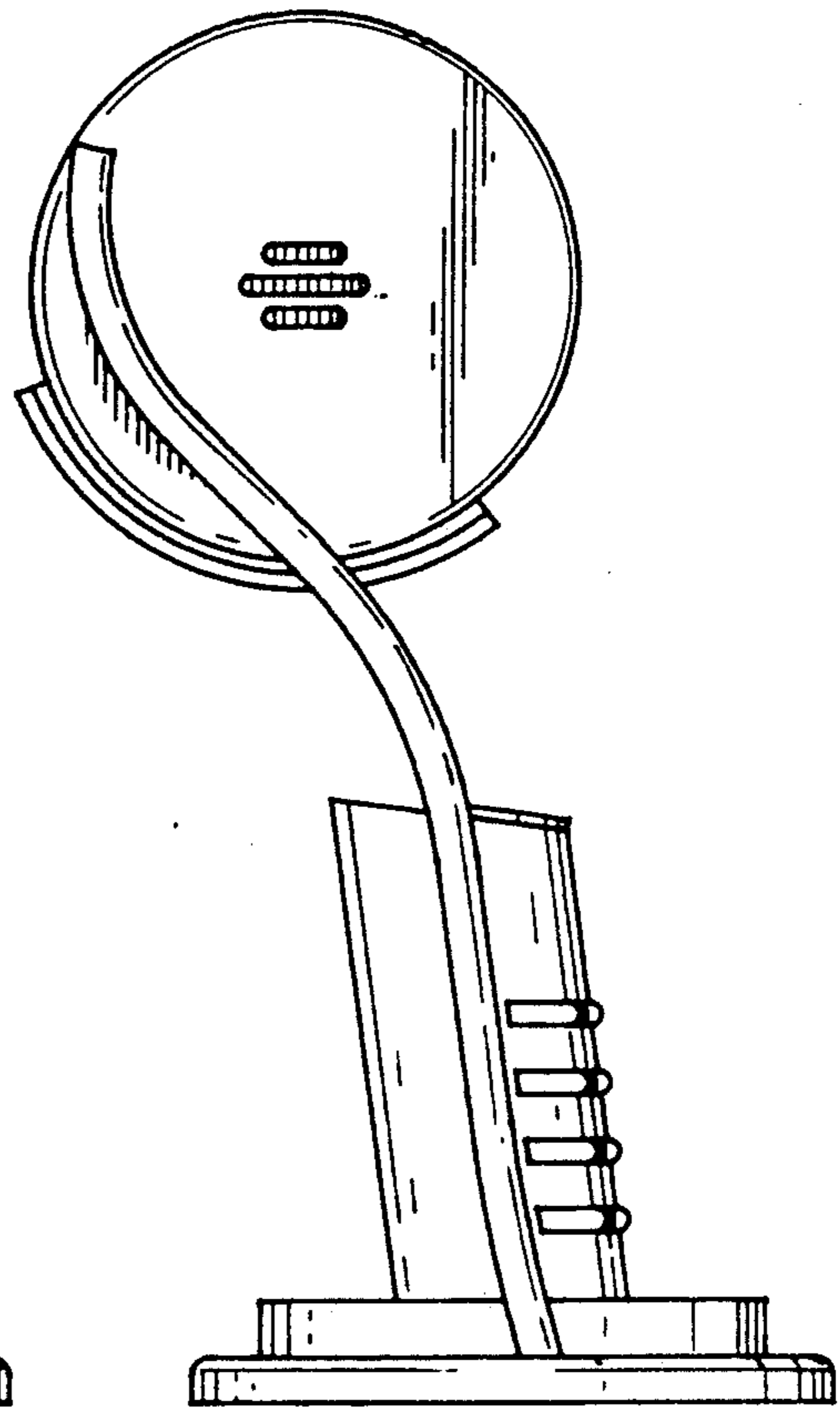
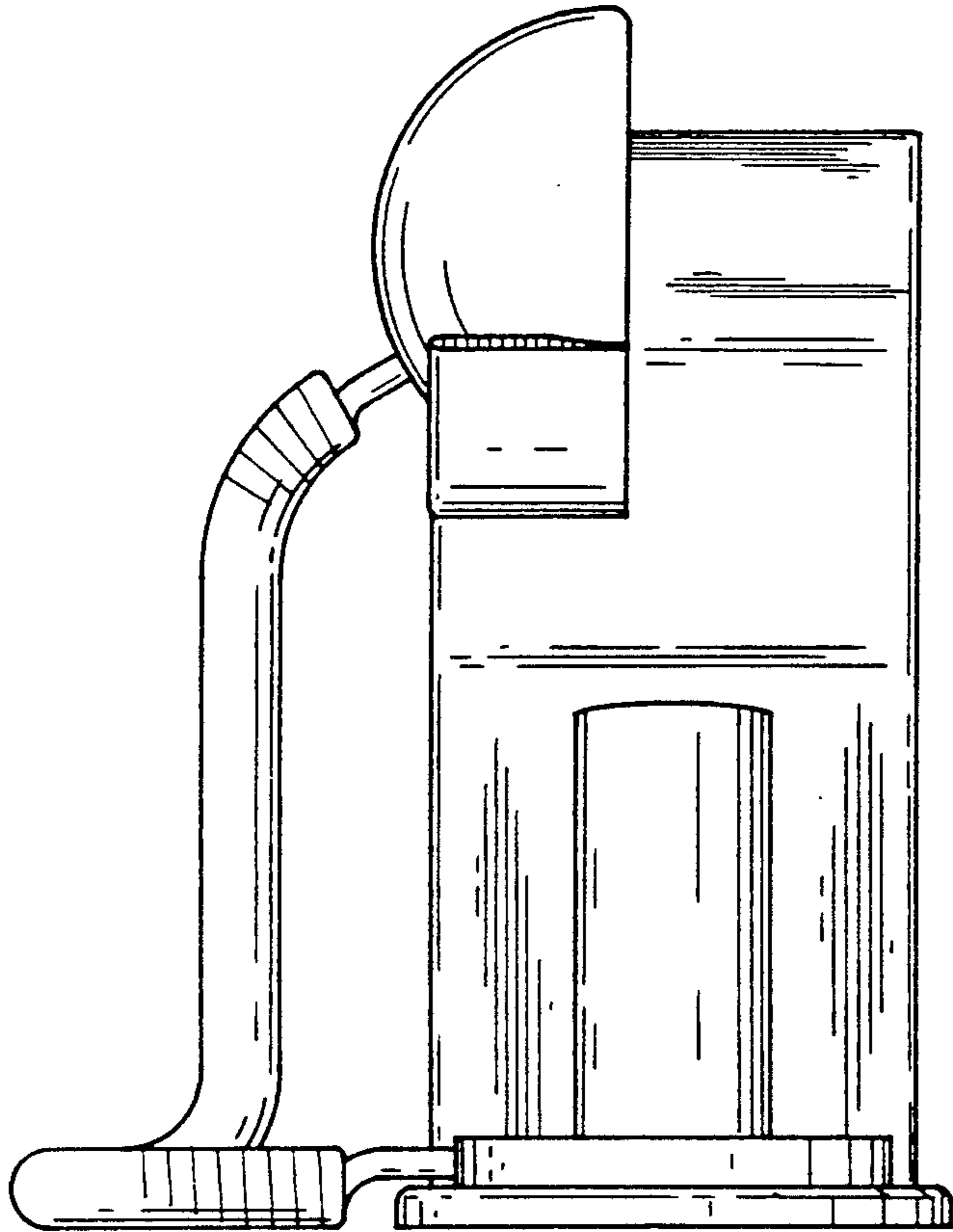


FIG. 12

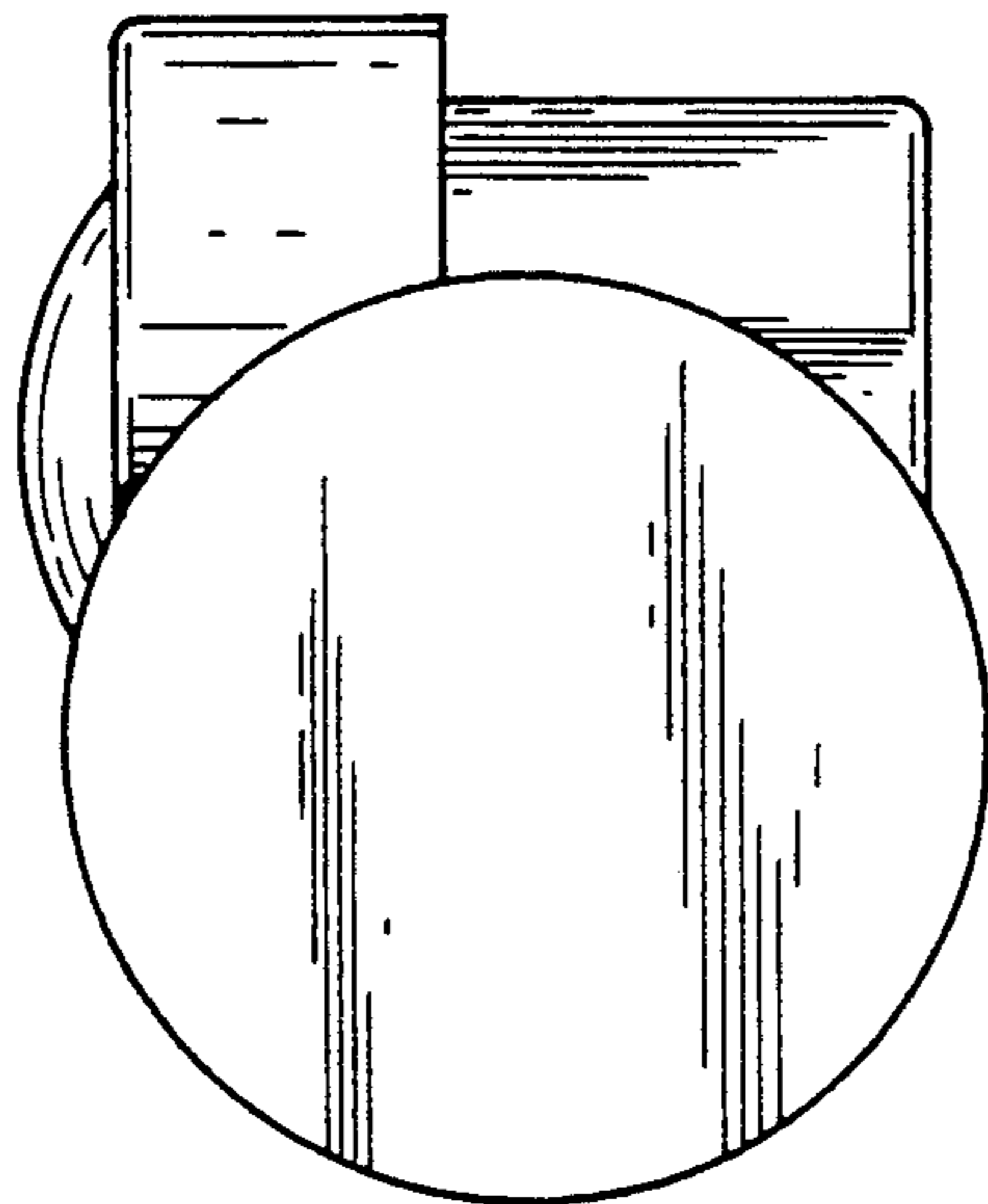


FIG. 14