

[54] COMBINED VIDEO TAPE RECORDER AND TELEVISION SET

[75] Inventor: Terumi Ihara, Fussa, Japan

[73] Assignee: Casio Computer Co., Ltd., Tokyo, Japan

[\*\*] Term: 14 Years

[21] Appl. No.: 549,683

[22] Filed: Jul. 6, 1990

Related U.S. Application Data

[62] Division of Ser. No. 160,489, Feb. 24, 1988.

[30] Foreign Application Priority Data

Sep. 26, 1987 [JP]	Japan	62-39327
Oct. 20, 1987 [JP]	Japan	62-42843
Oct. 20, 1987 [JP]	Japan	62-42844
Oct. 20, 1987 [JP]	Japan	62-42845

[52] U.S. Cl. D14/129; D14/134; D14/126

[58] Field of Search D14/124-126, D14/129, 134-136, 156, 160-165; 358/236, 254, 255; 312/7.2

[56] References Cited

U.S. PATENT DOCUMENTS

D. 309,135 7/1990 Iwama D14/129

Primary Examiner—Theodore M. Shooman

Attorney, Agent, or Firm—Frishauf, Holtz, Goodman & Woodward

[57] CLAIM

The ornamental design for a combined tape recorder and television set, as shown and described.

DESCRIPTION

FIG. 1 is a front elevational view of a combined video tape recorder and television set showing my new design;

FIG. 2 is a top plan view thereof;

FIG. 3 is a right side elevational view thereof;

FIG. 4 is a left side elevational view thereof;

FIG. 5 is a bottom plan view thereof;

FIG. 6 is a rear elevational view thereof;

FIG. 7 is a top, front and right side perspective view thereof;

FIG. 8 is a front elevational view of a second embodiment of the combined video tape recorder and television set shown in FIG. 1;

FIG. 9 is a top, front and right side perspective view of the embodiment disclosed in FIG. 8, the sides not illustrated are identical to the corresponding sides of the first embodiment;

FIG. 10 is a front elevational view of a third embodiment of the combined video tape recorder and television set shown in FIG. 1;

FIG. 11 is a top, front and right side perspective view of the embodiment disclosed in FIG. 10, the sides not illustrated are identical to the corresponding sides of the first embodiment;

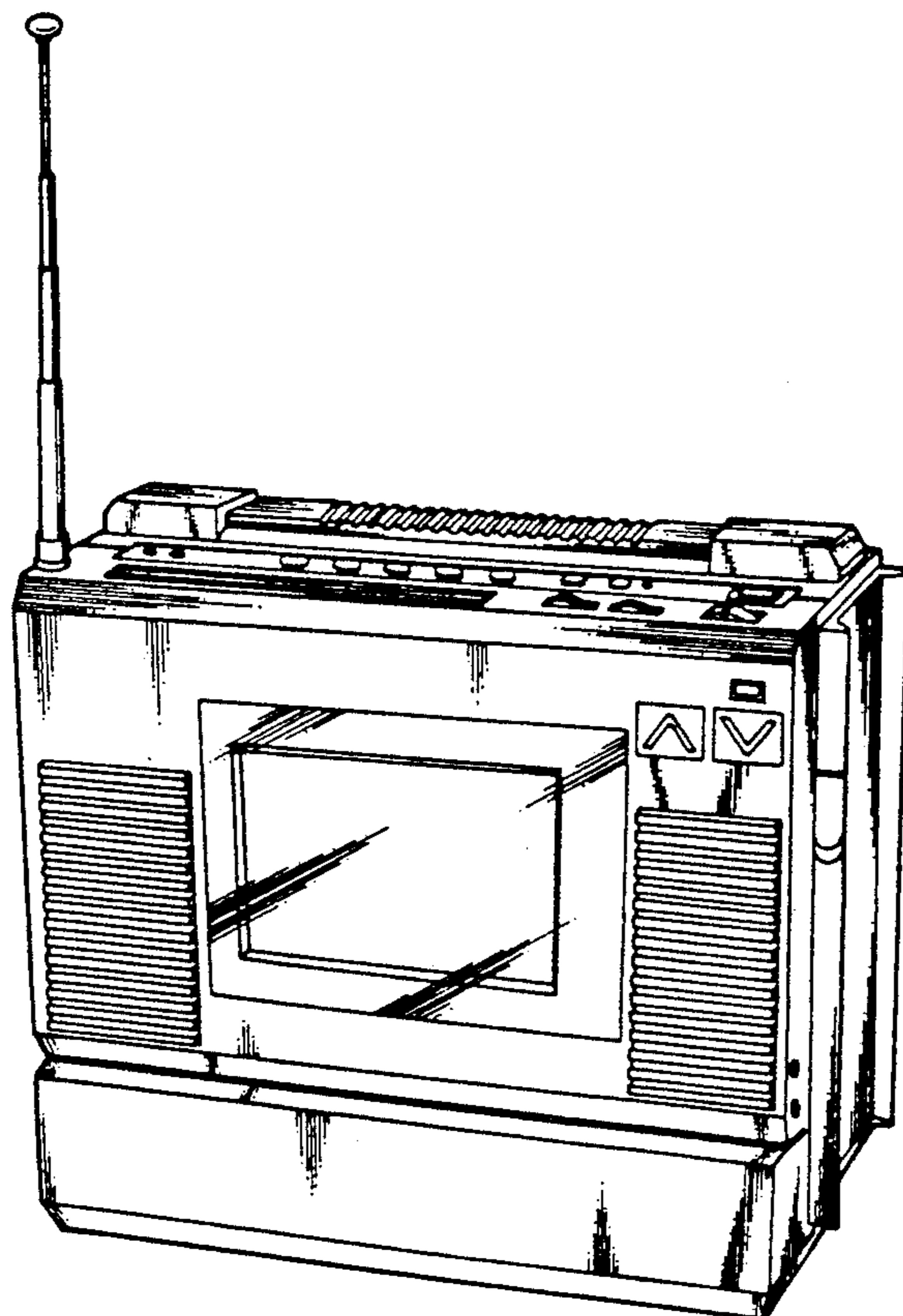


FIG. 1

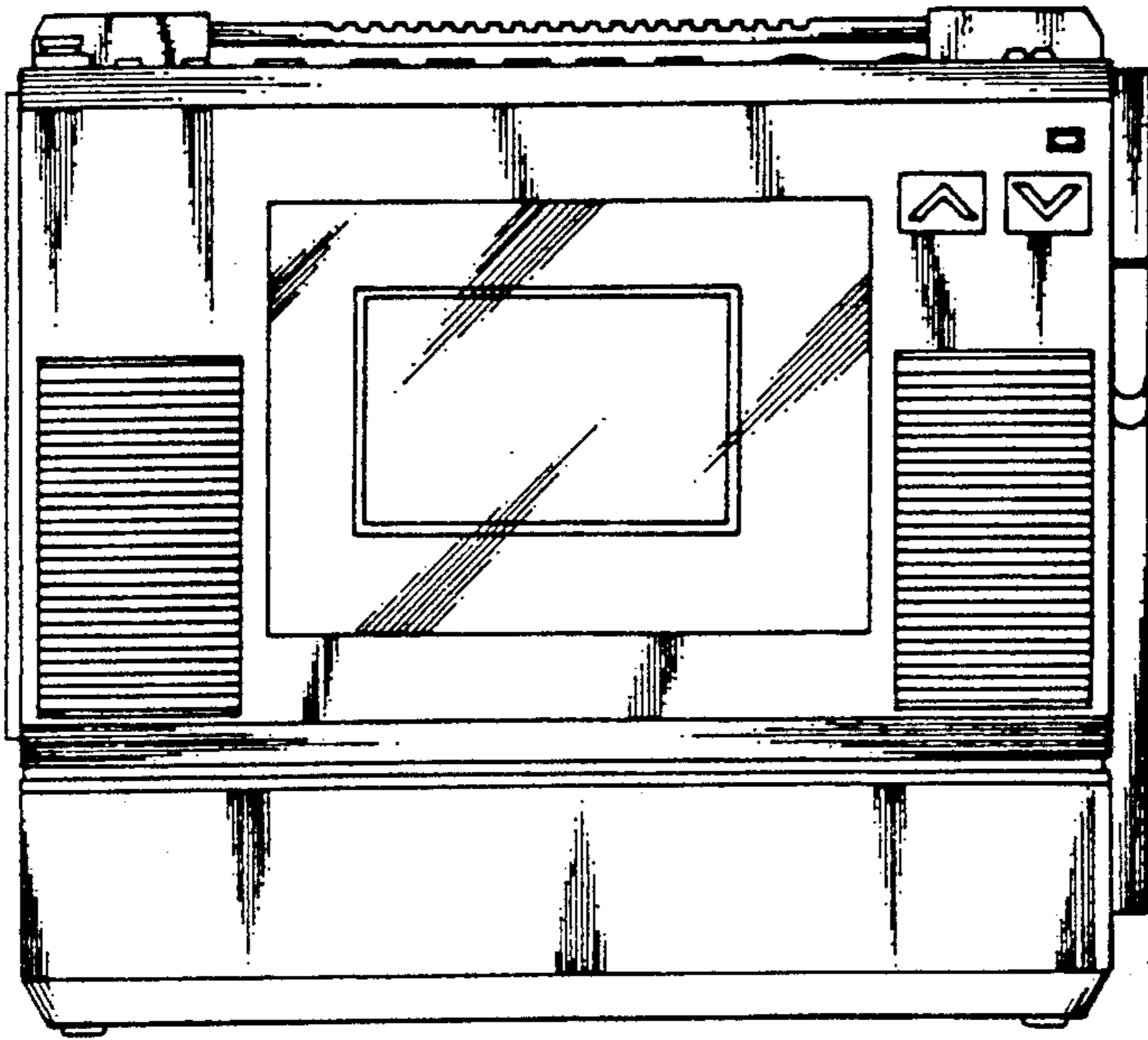


FIG. 3

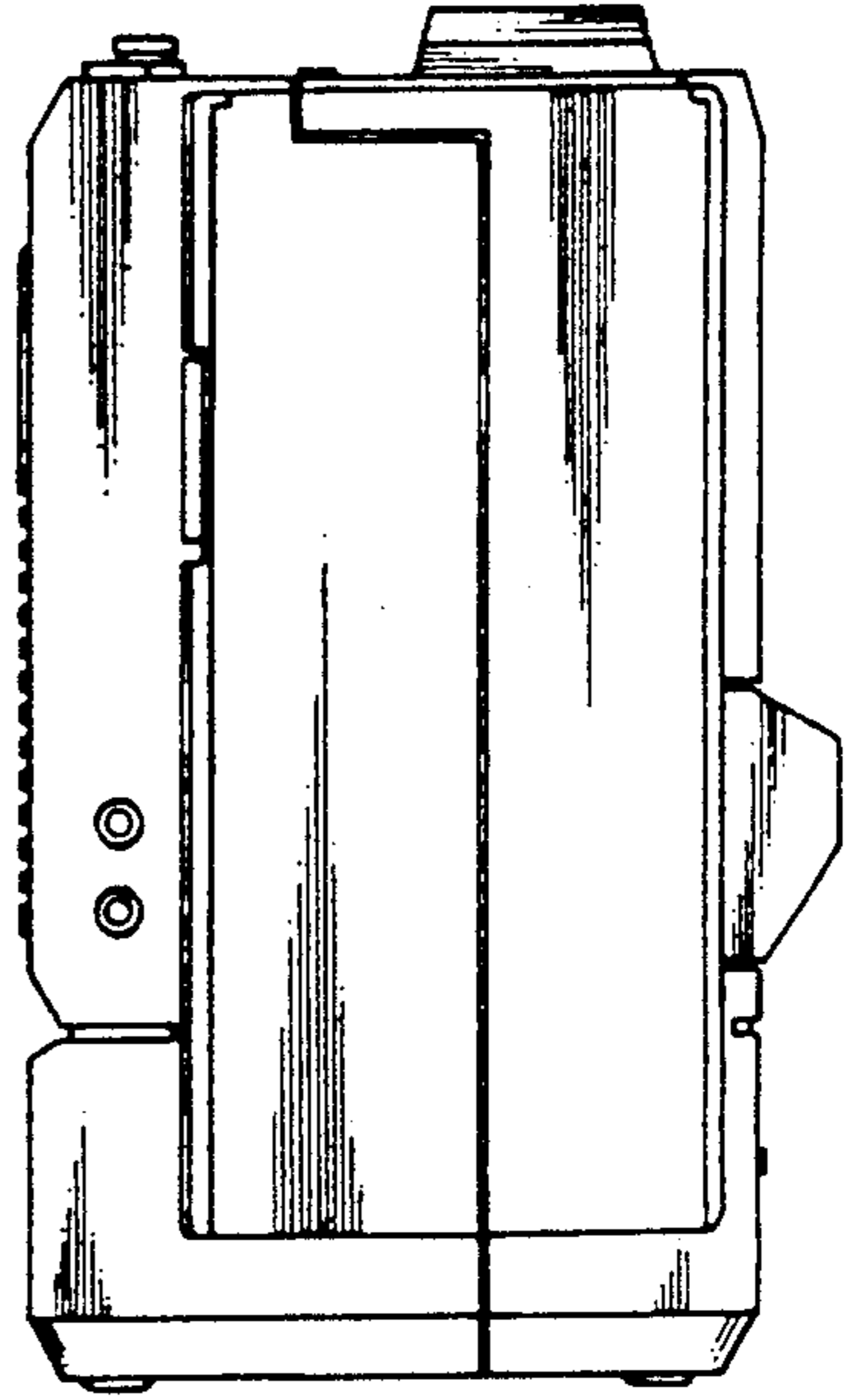


FIG. 2

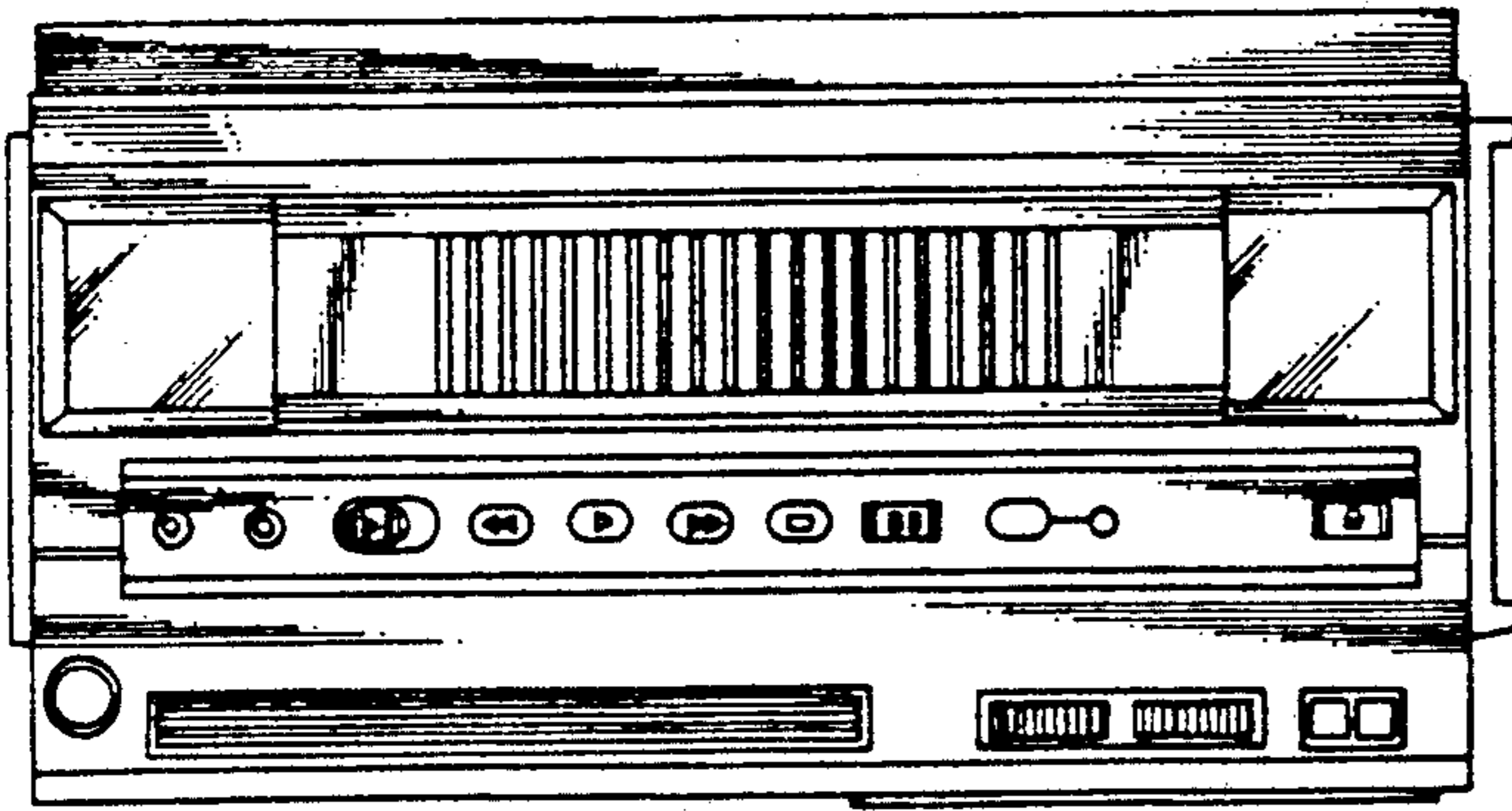


FIG. 4

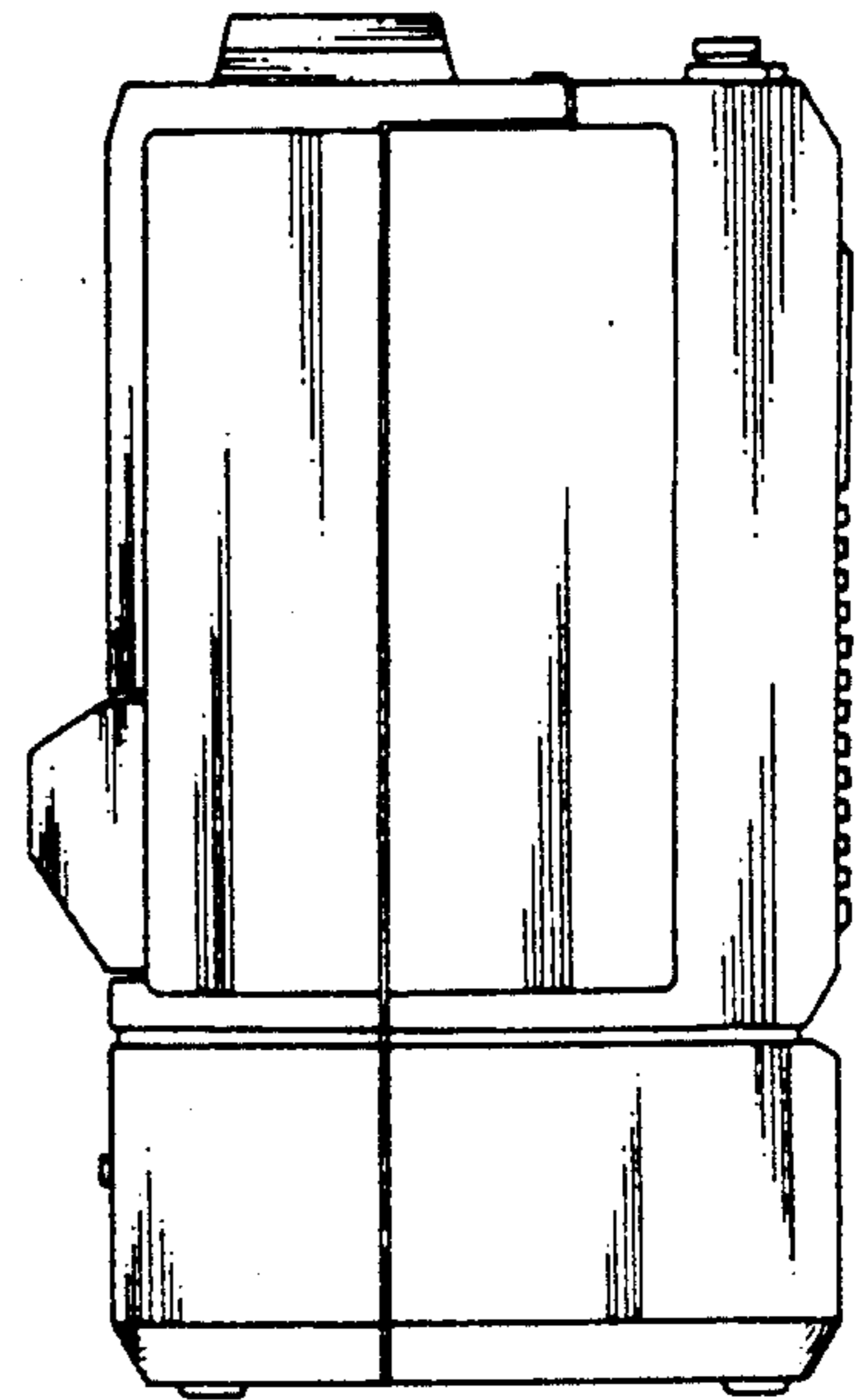


FIG. 5

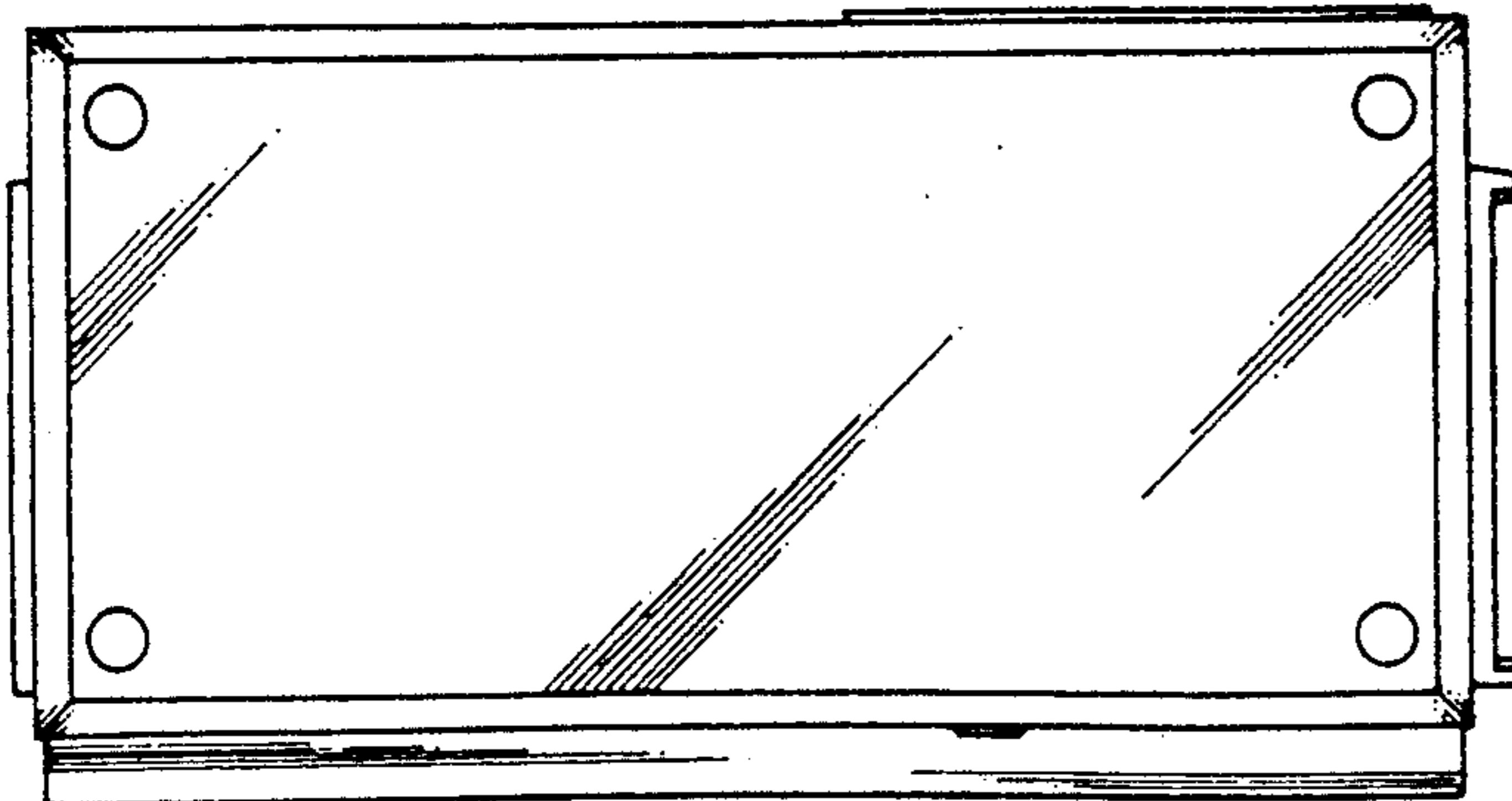


FIG. 6

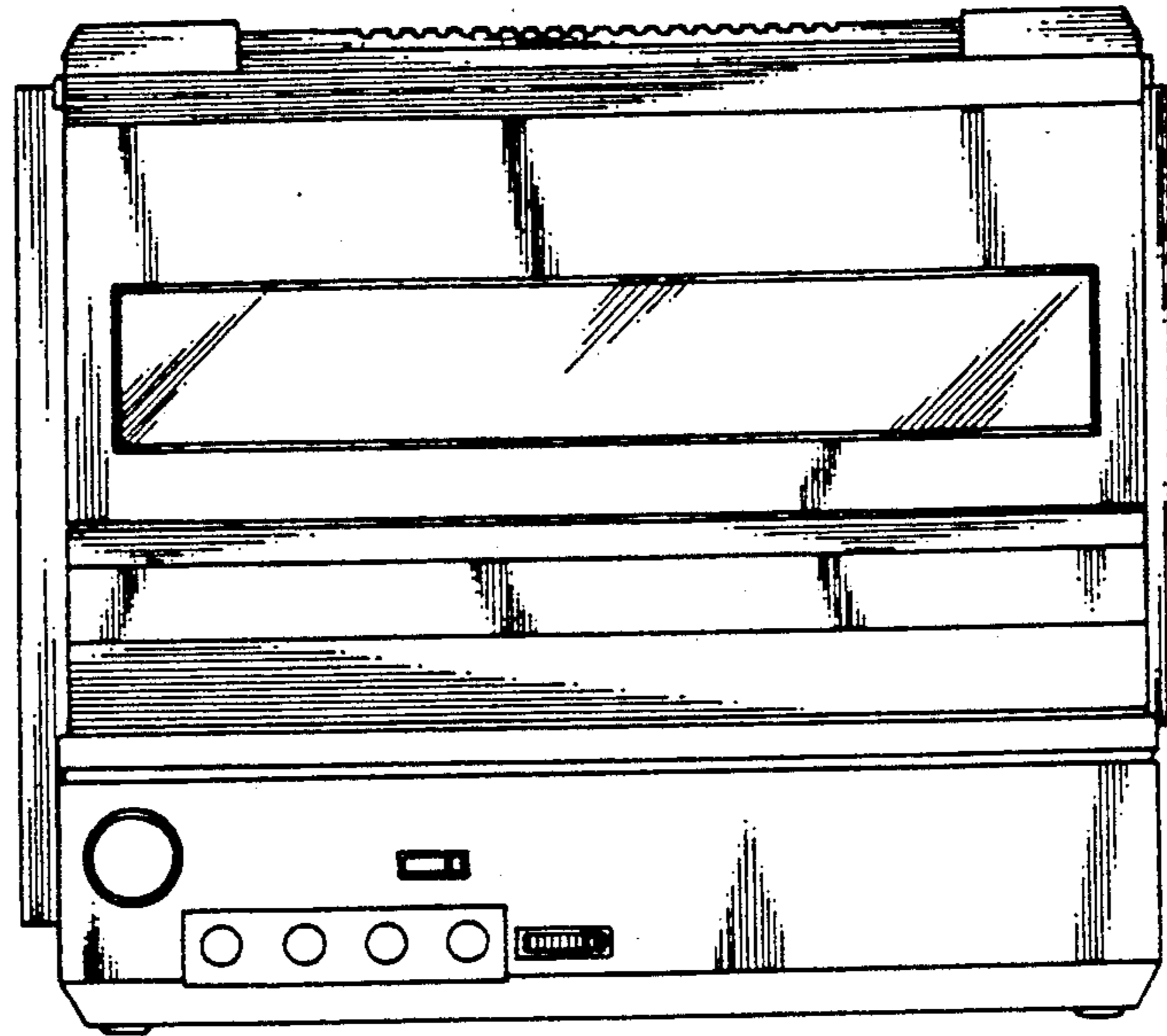


FIG. 7

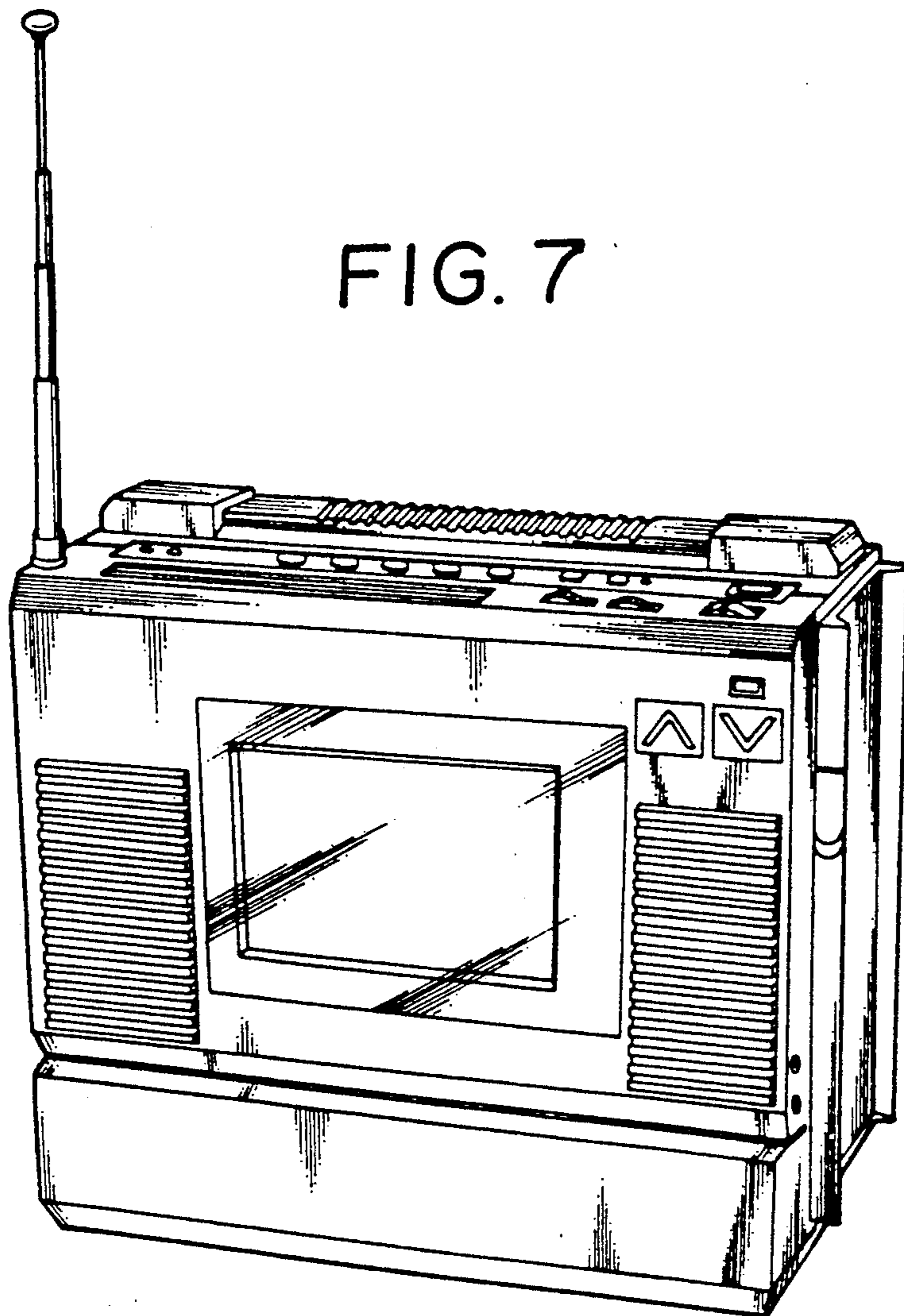


FIG. 8

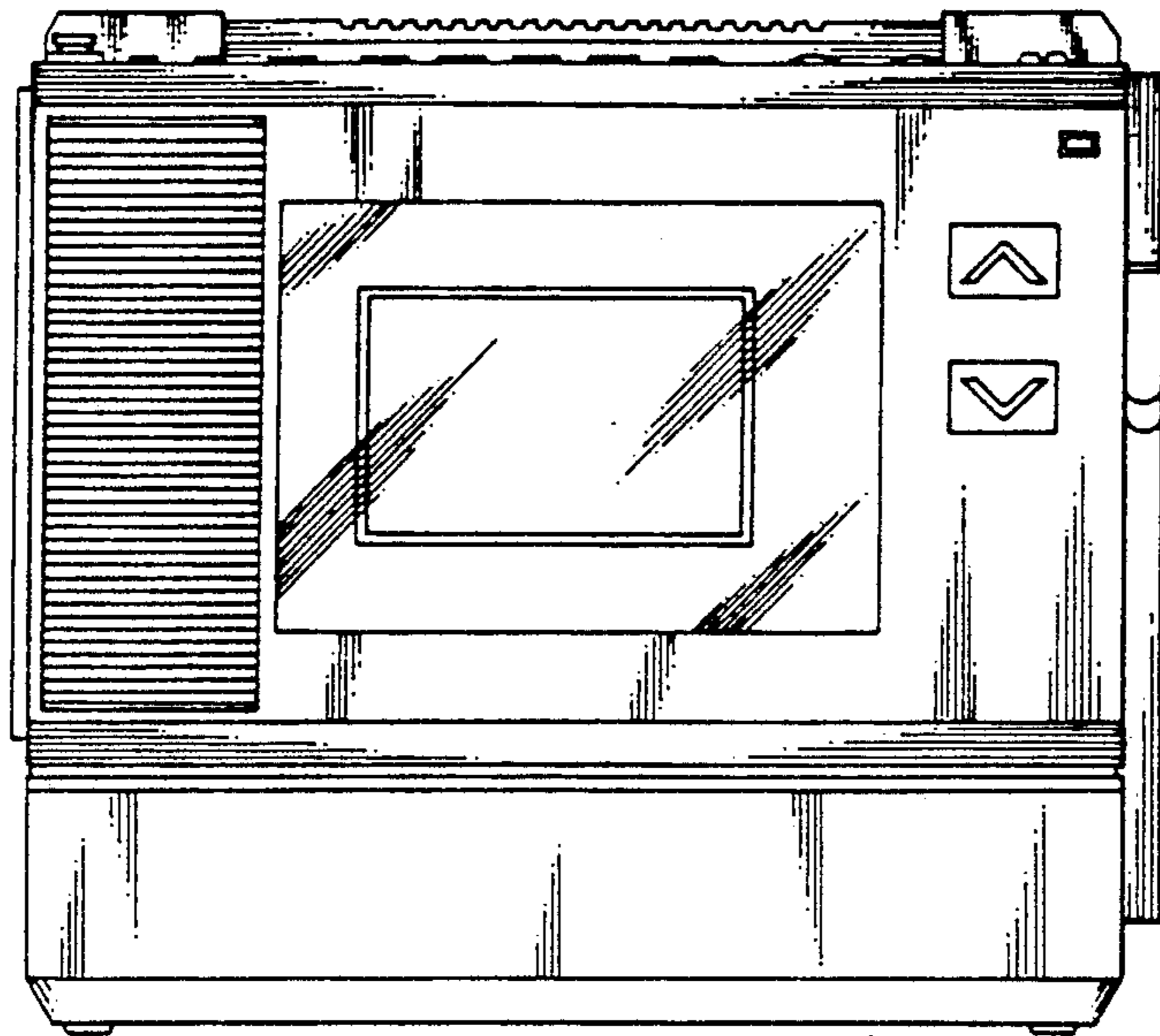


FIG. 9

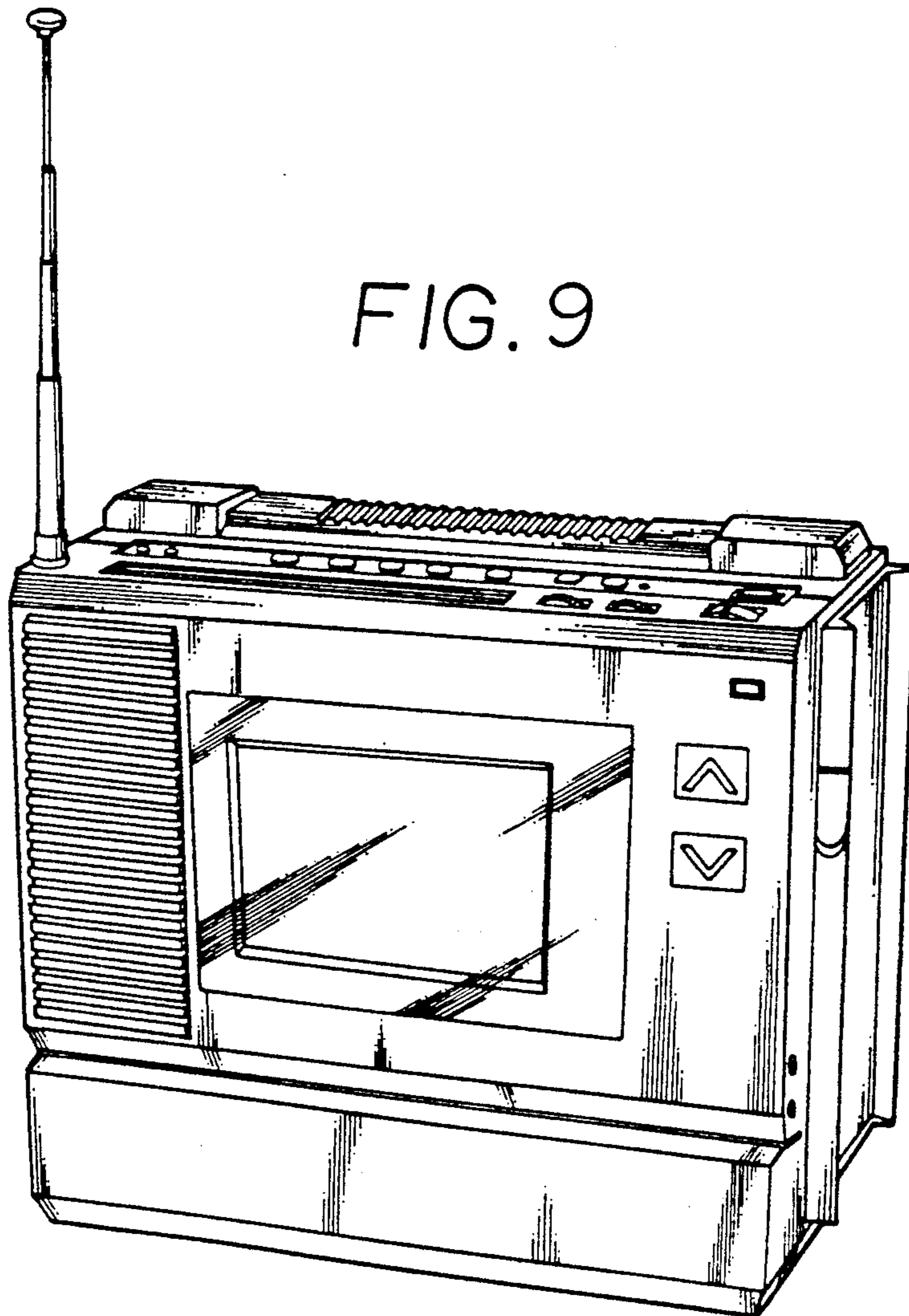


FIG. 10

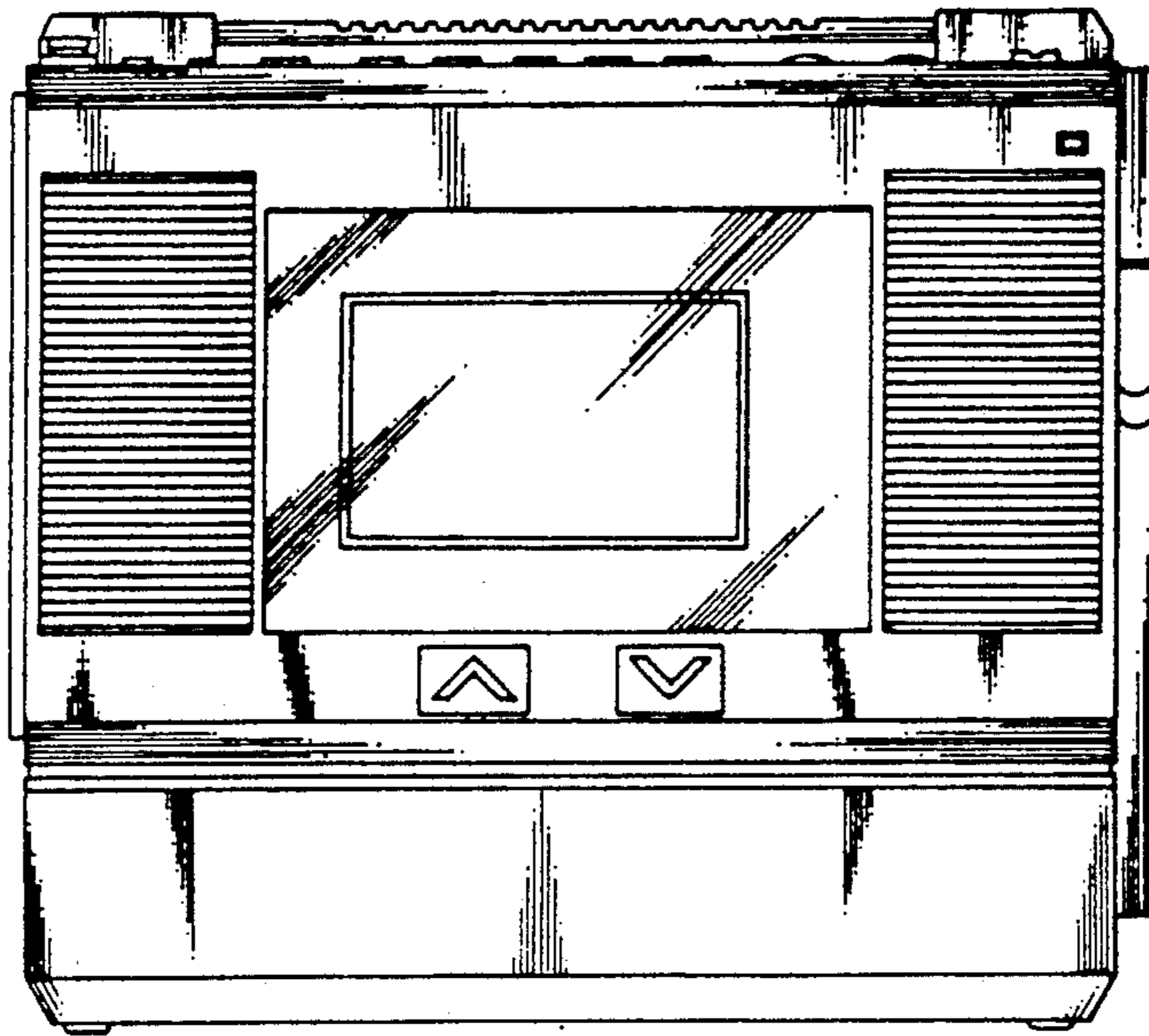


FIG. 11

