

[54] WORD PROCESSOR

[75] Inventor: Mark J. Lampe, Syracuse, N.Y.

[73] Assignee: Smith Corona Corporation, Cortland, N.Y.

[\*\*] Term: 14 Years

[21] Appl. No.: 441,928

[22] Filed: Nov. 27, 1989

[52] U.S. Cl. .... D14/106; D18/1;  
D18/13

[58] Field of Search ..... D14/100, 101, 105-107,  
D14/113, 115; D18/1, 2, 6, 7, 13; 340/700, 706,  
711, 712; 341/22, 23; 364/706-710, 900;  
235/145 A, 145 R; 358/248, 249, 254; 400/690,  
690.1, 691, 680, 681, 682, 685, 693

[56] References Cited

U.S. PATENT DOCUMENTS

- D. 284,671 7/1986 Mendel ..... D18/1
- D. 289,292 4/1987 Ansell et al. .... D14/106
- D. 293,109 12/1987 George et al. .... D14/100
- D. 293,110 12/1987 George et al. .... D14/100
- D. 293,112 12/1987 George et al. .... D14/106
- D. 293,793 1/1988 Watanabe et al. .... D14/106

- D. 294,356 2/1988 Papajohn ..... D14/106
- D. 294,712 3/1988 Copland ..... D18/13
- D. 298,537 11/1988 Walters, II et al. .... D14/106
- D. 302,974 8/1989 Shim ..... D14/106
- D. 309,320 7/1990 Ishigami ..... D18/1
- 4,669,053 5/1987 Krenz ..... 364/708
- 4,882,684 11/1989 Ishigami et al. .... D18/13 X

Primary Examiner—Susan J. Lucas  
Assistant Examiner—Freda S. Nunn

[57] CLAIM

The ornamental design for a word processor, as shown and described.

DESCRIPTION

FIG. 1 is a top, front, right side perspective view of a word processor showing my new design in a working condition;

FIG. 2 is a top plan view thereof;

FIG. 3 is a front elevational view thereof;

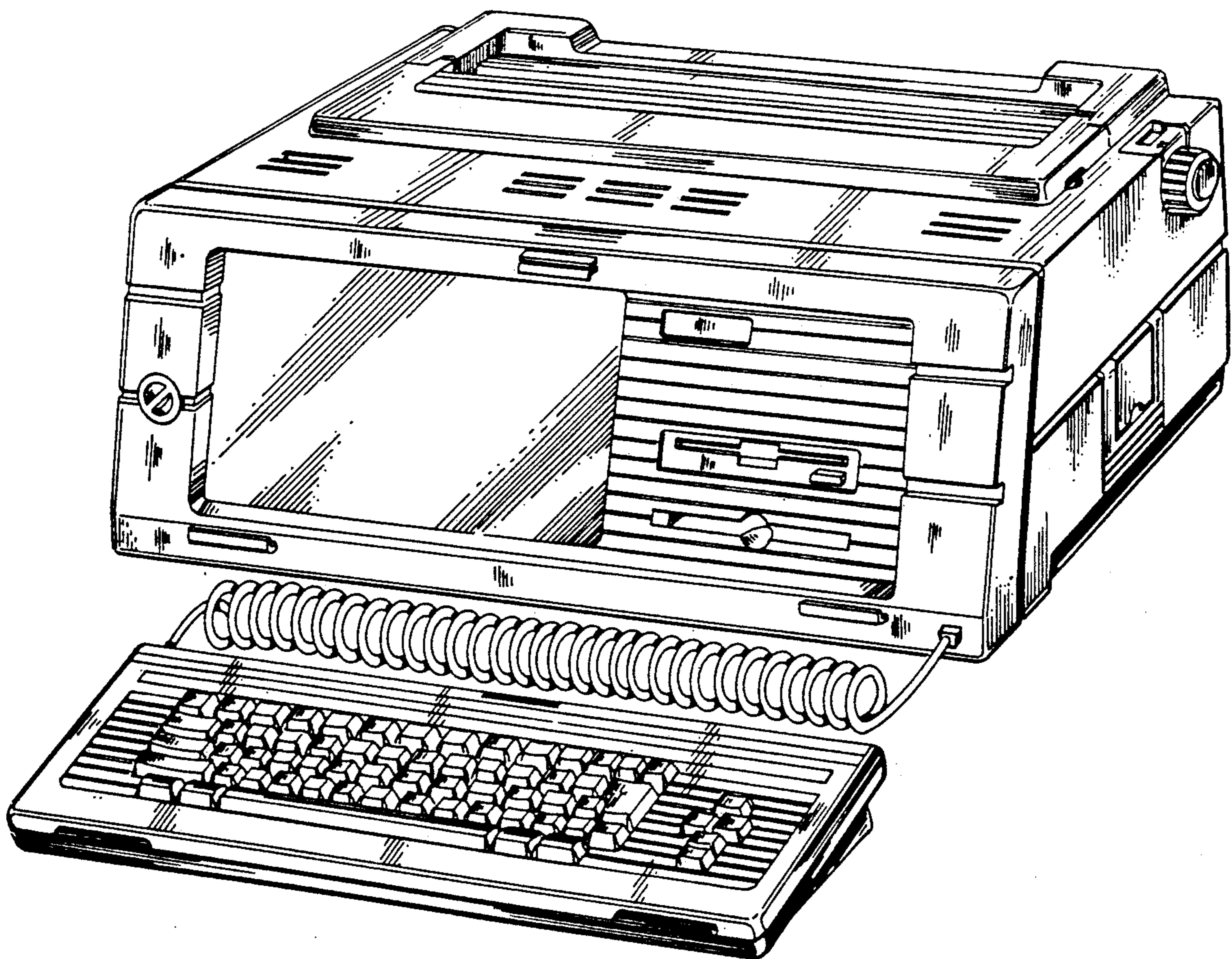
FIG. 4 is a bottom plan view thereof;

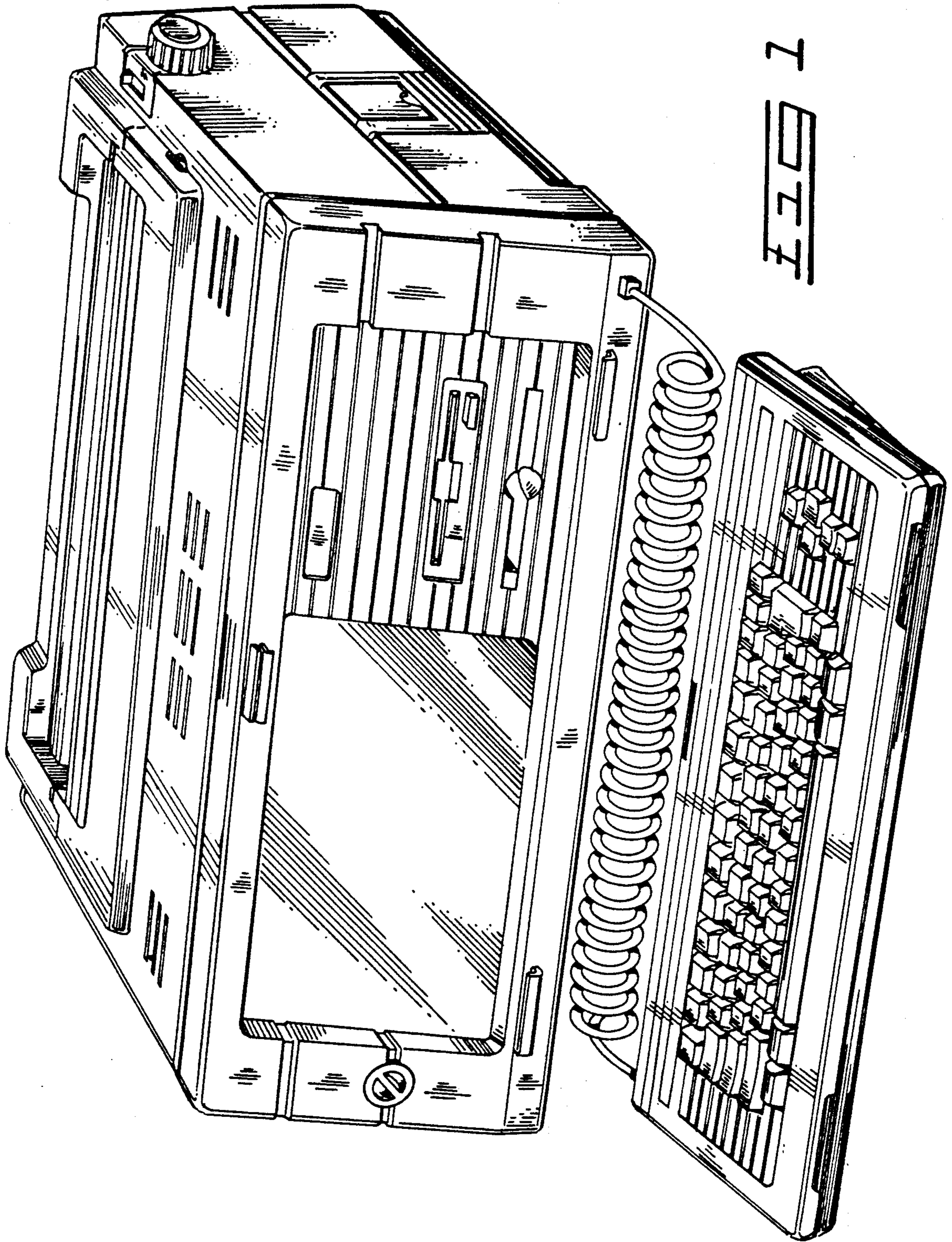
FIG. 5 is a rear elevational view thereof;

FIG. 6 is a left side elevational view thereof;

FIG. 7 is a right side elevational view thereof; and

FIG. 8 is a top, front, right side perspective view thereof showing the keyboard attached to the display unit.





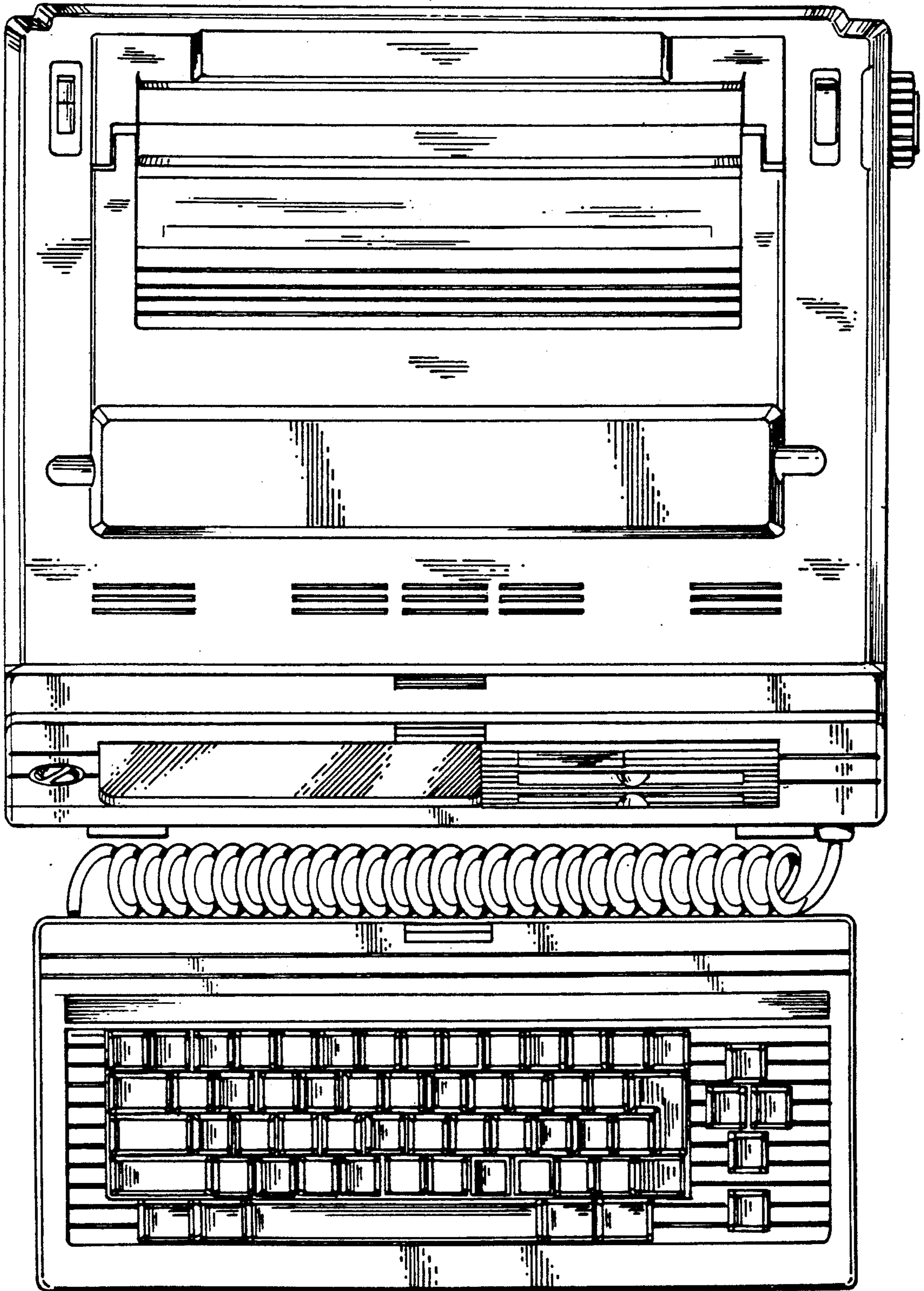


FIG 2

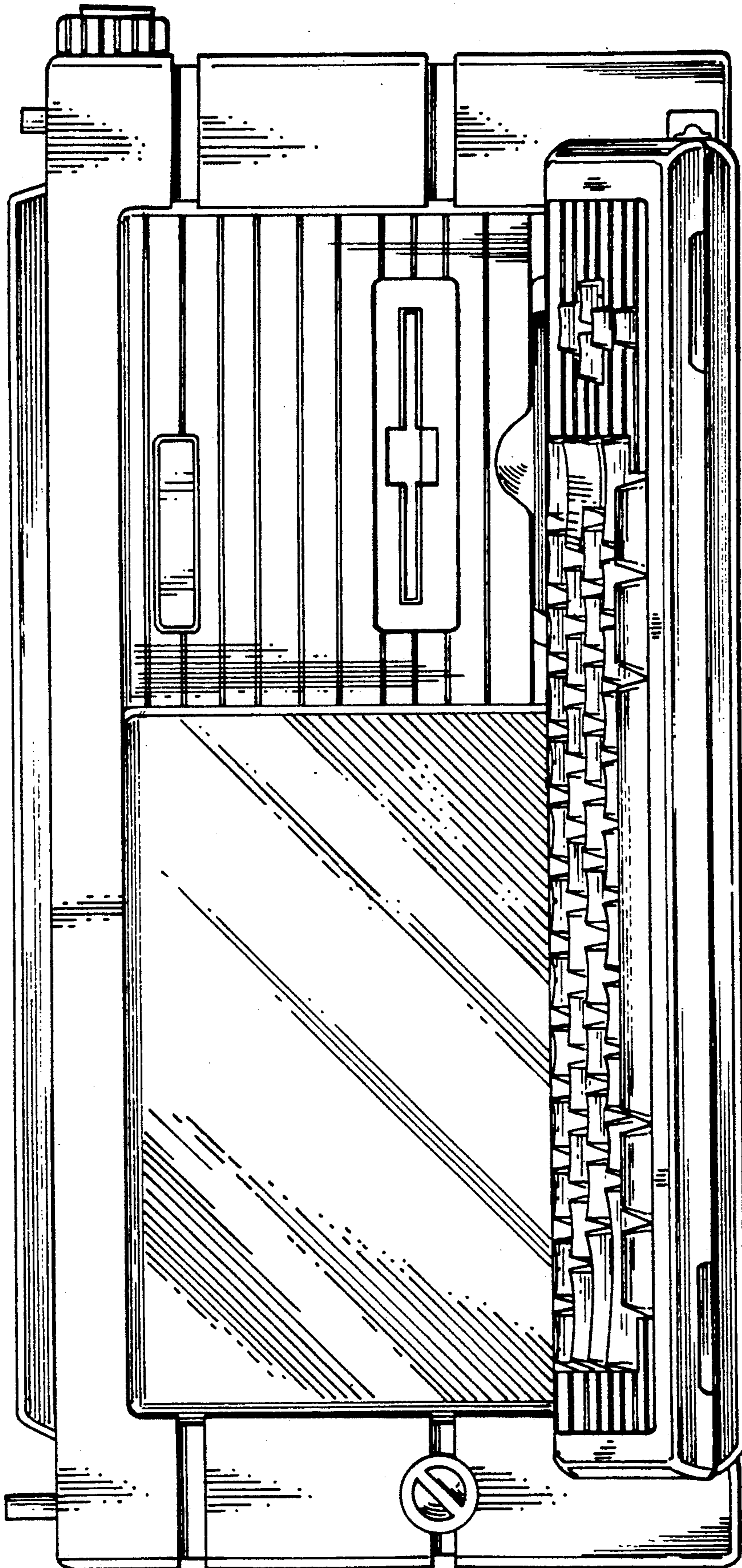


Fig. 3

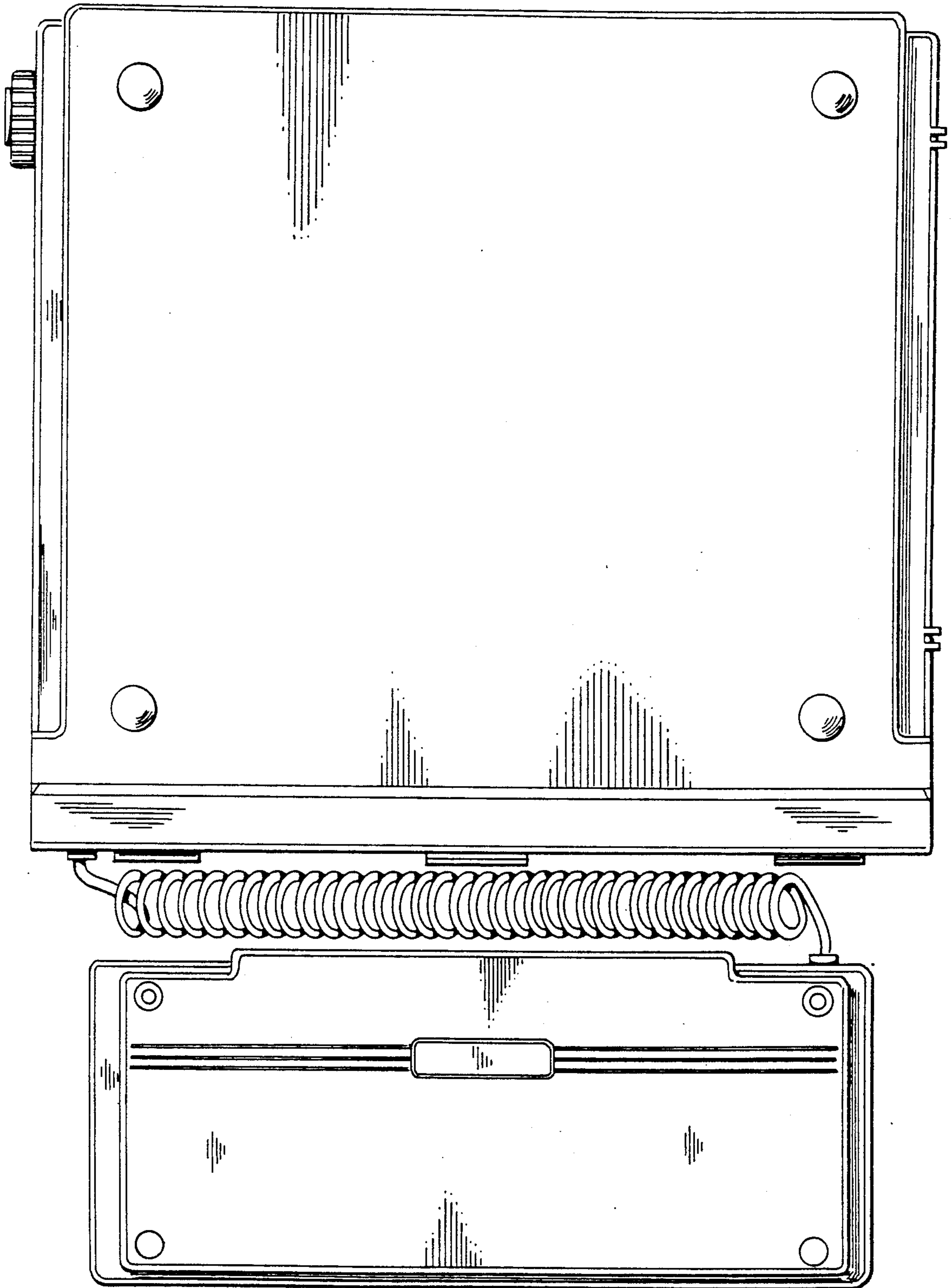
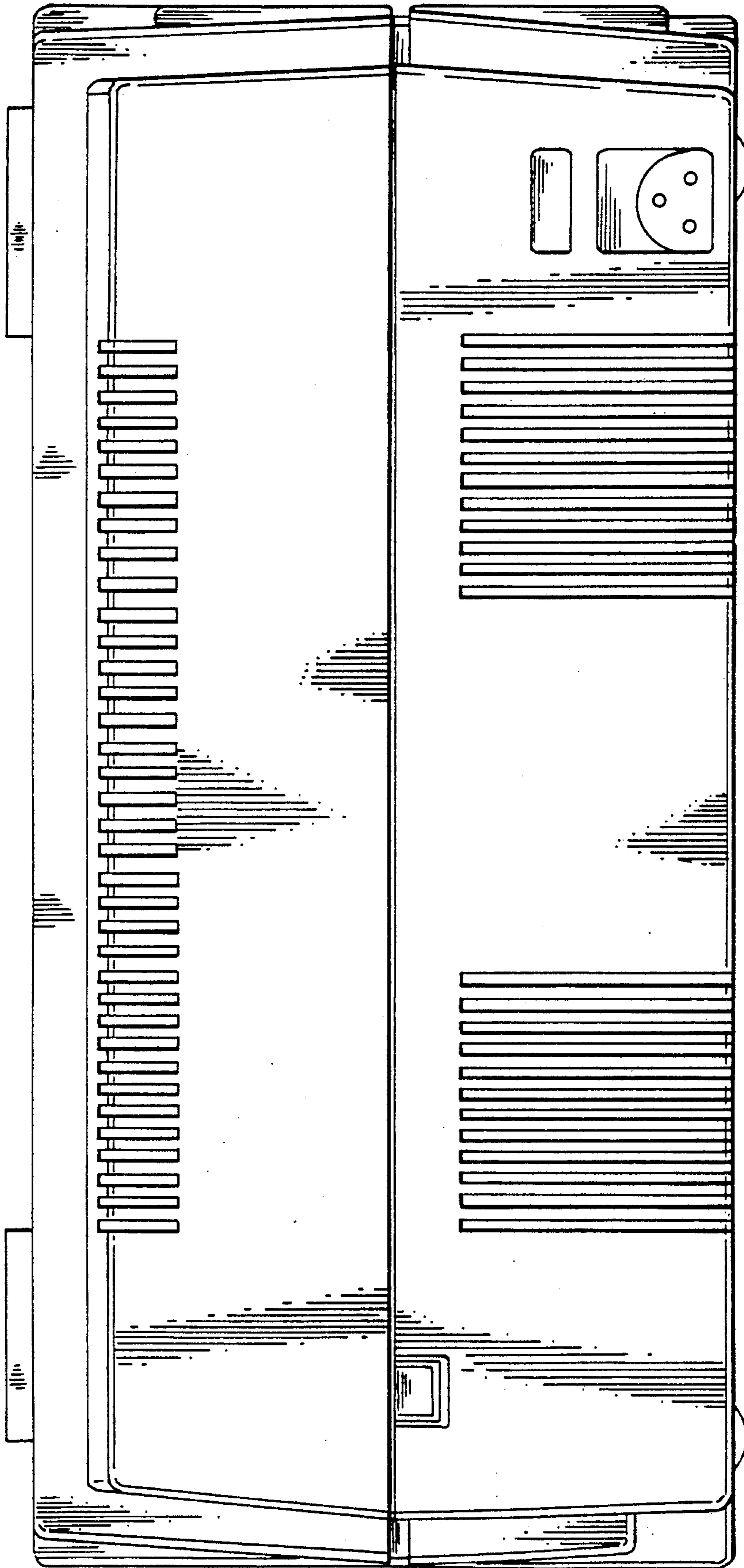


FIG 4



5  
5

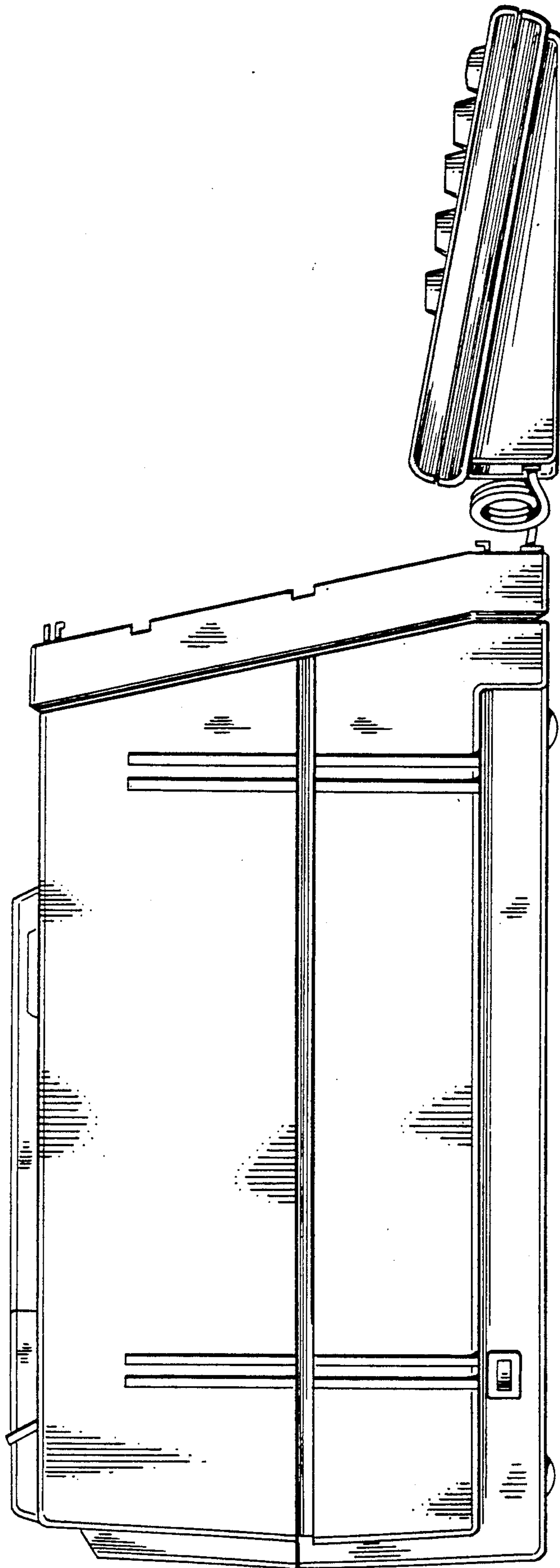
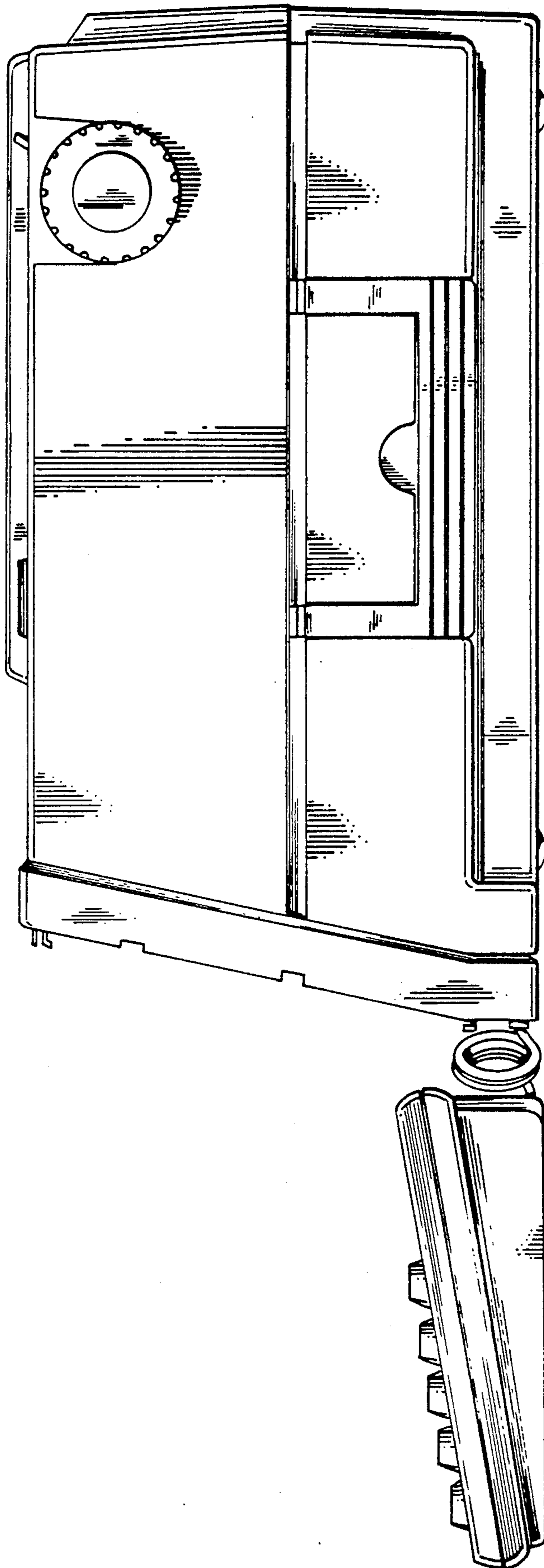


FIG. 6



2 0000



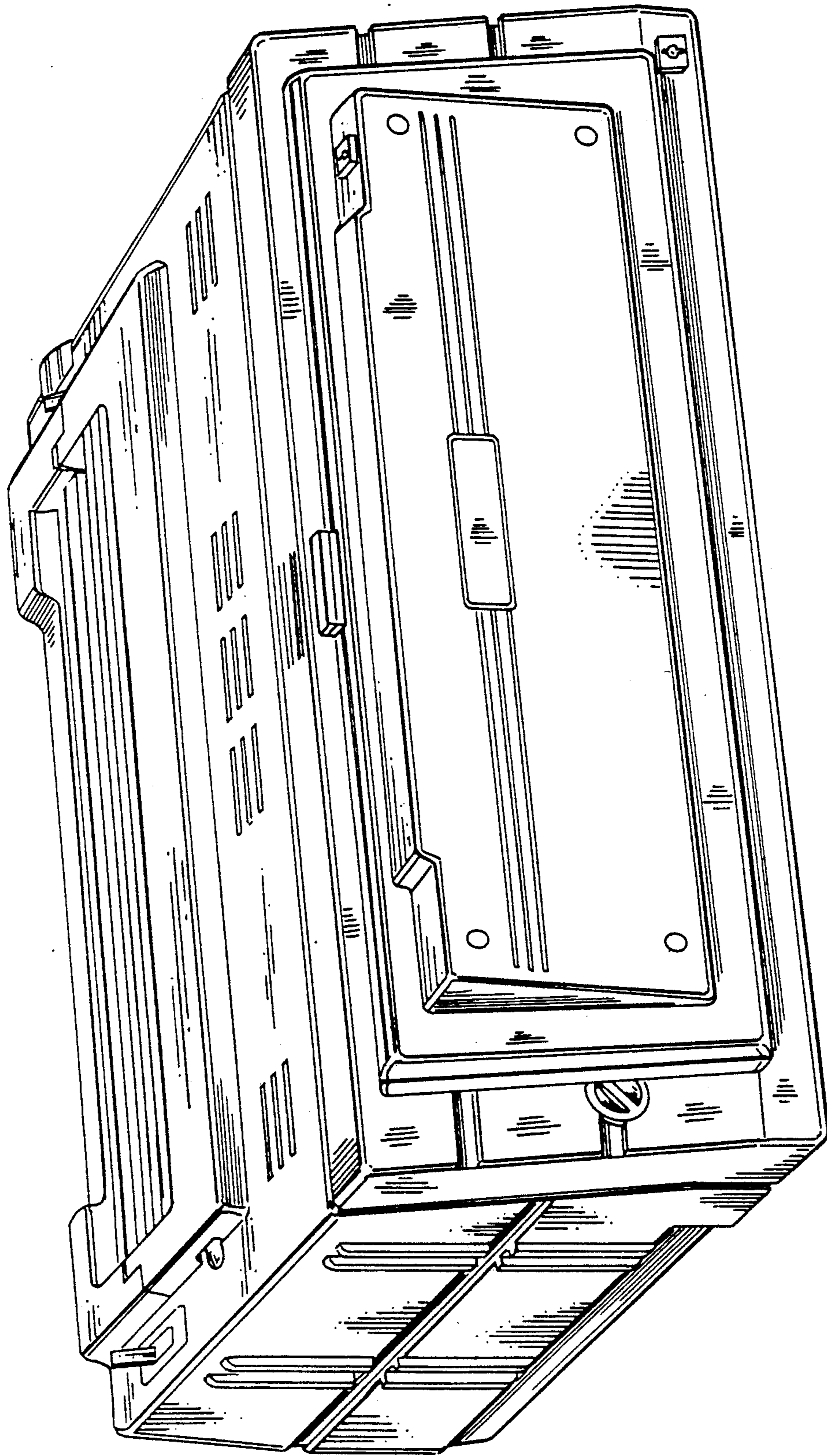


FIG. 8