

# United States Patent [19]

Nogawa

[11] Patent Number: **Des. 319,633**

[45] Date of Patent: **\*\* Sep. 3, 1991**

[54] **POINT OF SALES TERMINAL**

[75] Inventor: **Masahiro Nogawa, Kawasaki, Japan**

[73] Assignee: **Nitsuko Corporation, Kawasaki, Japan**

[\*\*] Term: **14 Years**

[21] Appl. No.: **221,192**

[22] Filed: **Jul. 19, 1988**

[30] **Foreign Application Priority Data**

Jan. 19, 1988 [JP] Japan ..... 63-1370

[52] U.S. Cl. .... **D14/105; D18/12**

[58] Field of Search ..... **D14/100, 105, 107; 235/380-382, 379, 375; 902/39, 25, 5; 364/405; D18/4, 12**

[56] **References Cited**

**U.S. PATENT DOCUMENTS**

D. 286,654 11/1986 Picard ..... D14/100 X

D. 293,245 12/1987 Hujimori et al. .... D14/100

D. 297,237 8/1988 Long ..... D14/105

D. 298,626 11/1988 Stark et al. .... D14/105

4,659,914 4/1987 Kondo et al. .... 235/380

4,827,113 5/1989 Rikuna ..... 235/379 X

*Primary Examiner—Stella Reid*

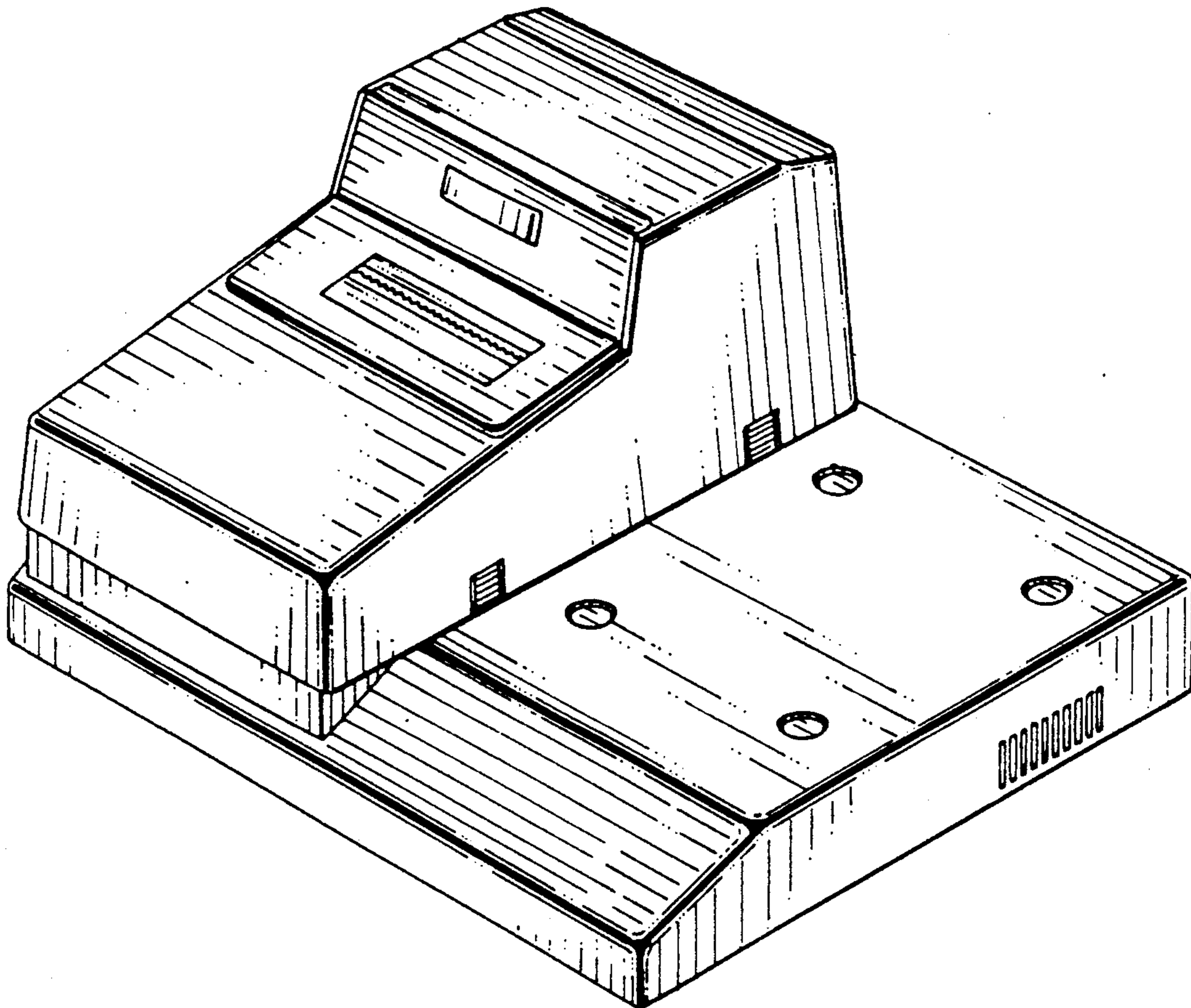
*Attorney, Agent, or Firm—Ladas & Parry*

[57] **CLAIM**

The ornamental design for a point of sales terminal, as shown and described.

**DESCRIPTION**

FIG. 1 is a front elevational view of a point of sales terminal, showing my new design; FIG. 2 is a top plan view thereof; FIG. 3 is a rear elevational view thereof; FIG. 4 is a left side elevational view thereof; FIG. 5 is a right side elevational view thereof; FIG. 6 is a bottom plan view thereof; and FIG. 7 is a perspective view thereof.



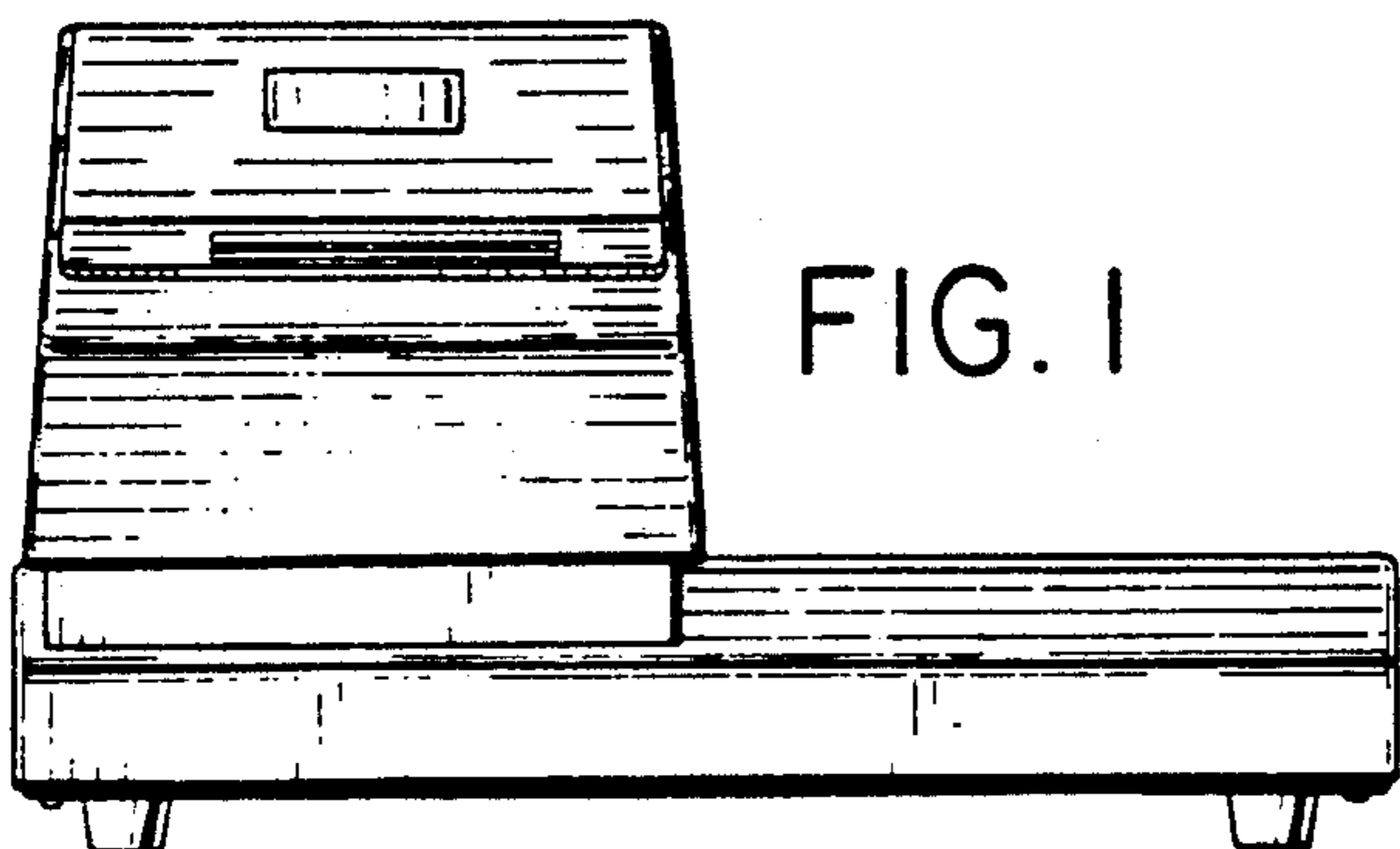


FIG. 1

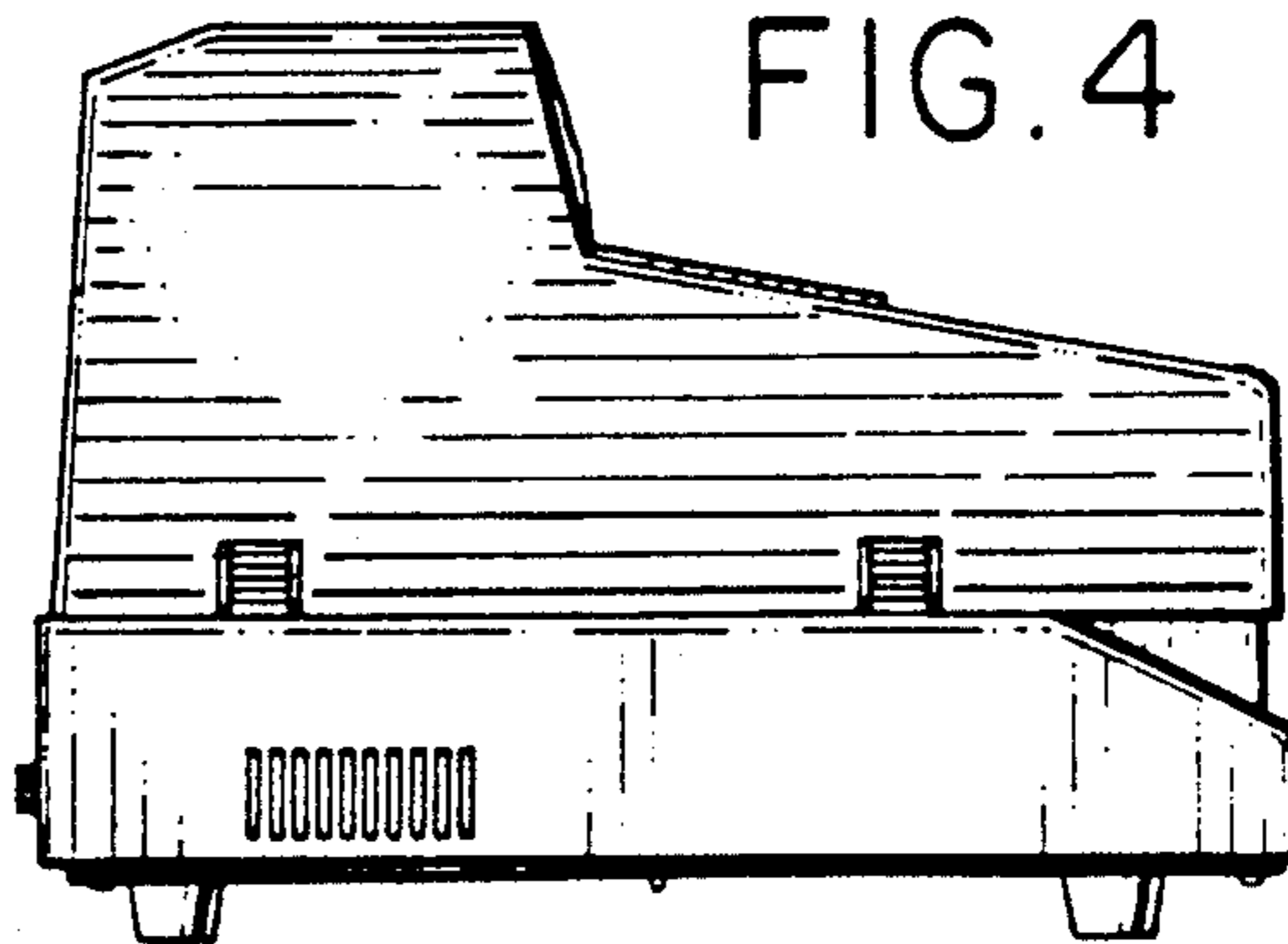


FIG. 4

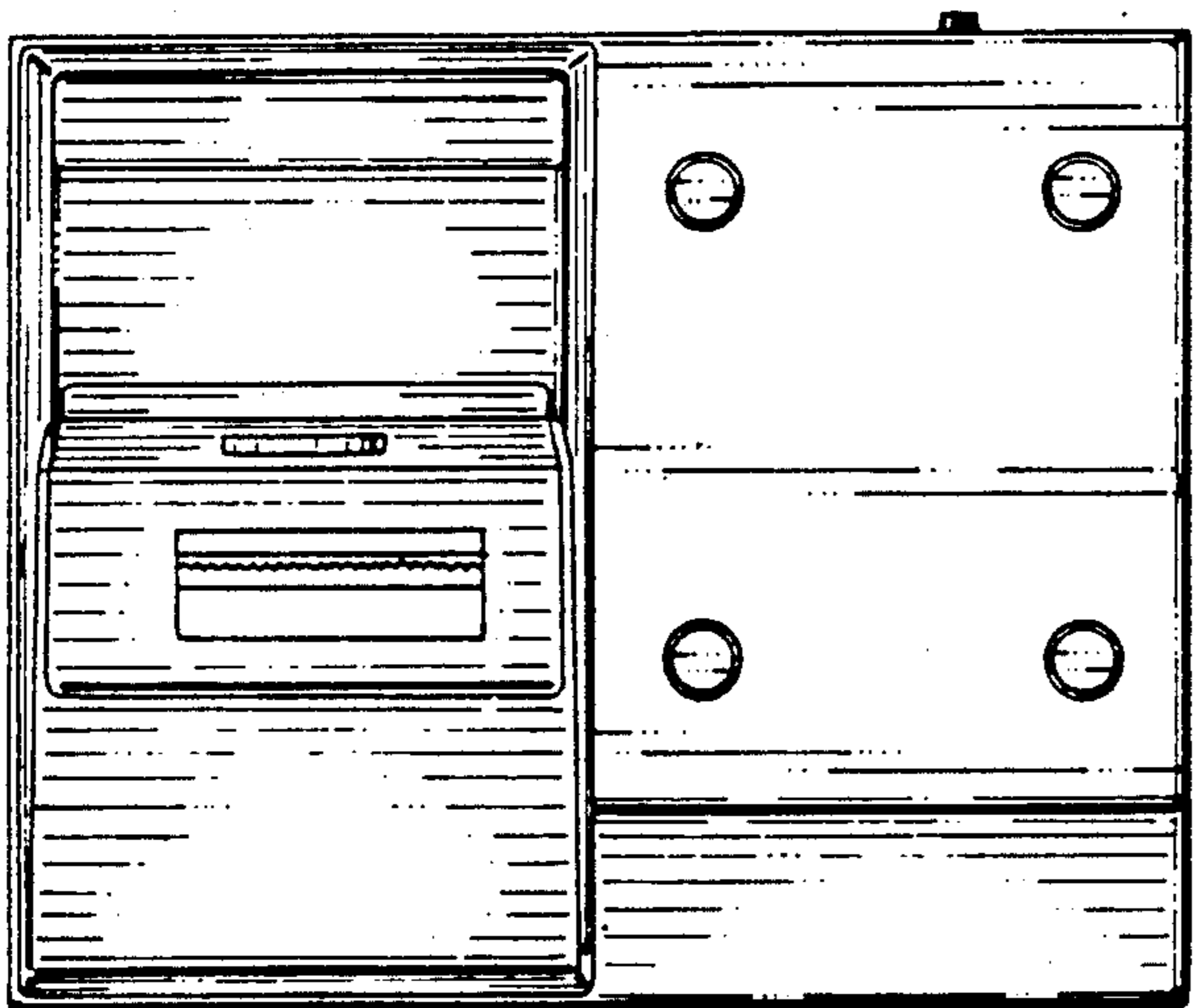


FIG. 2

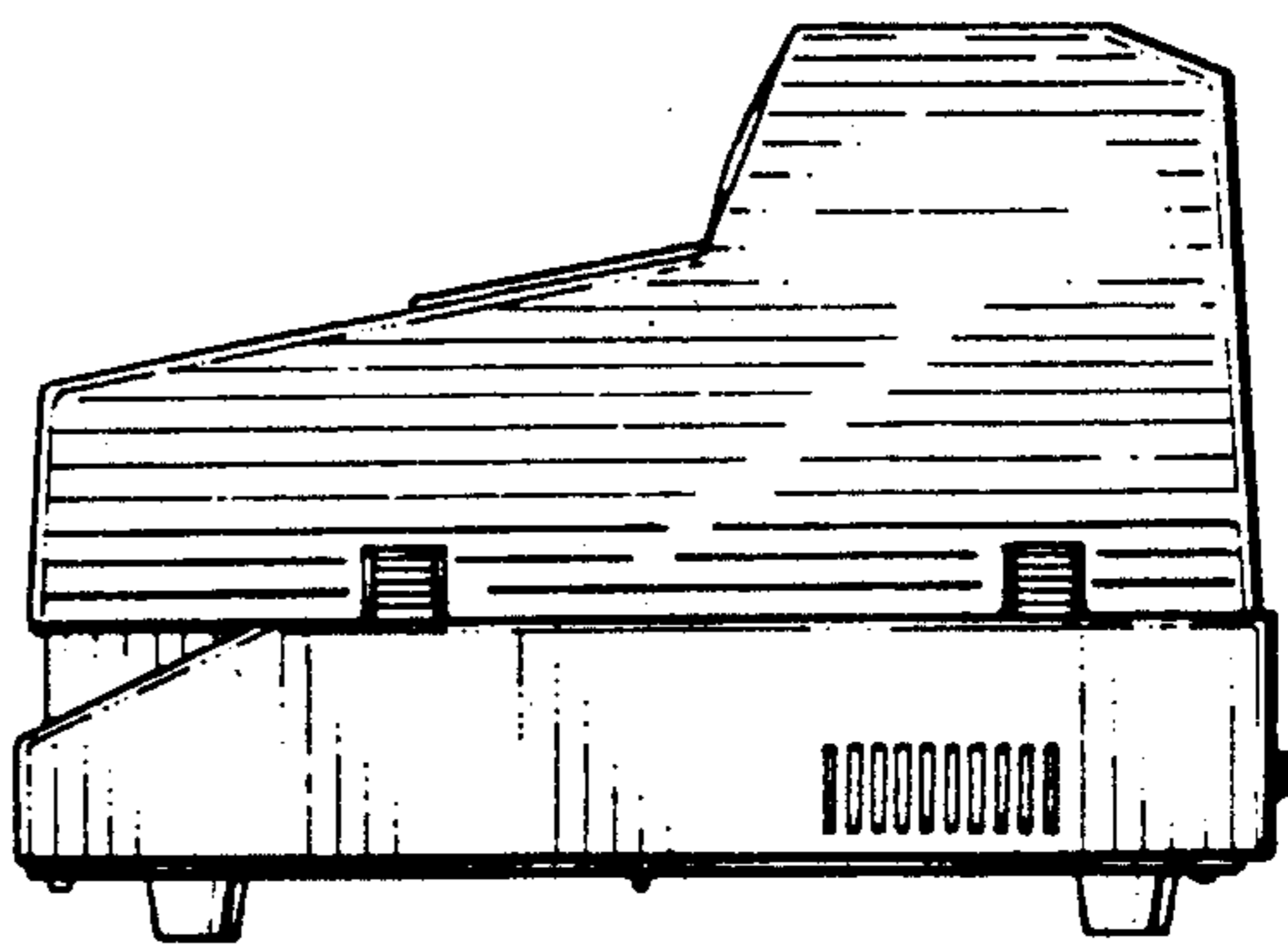


FIG. 5

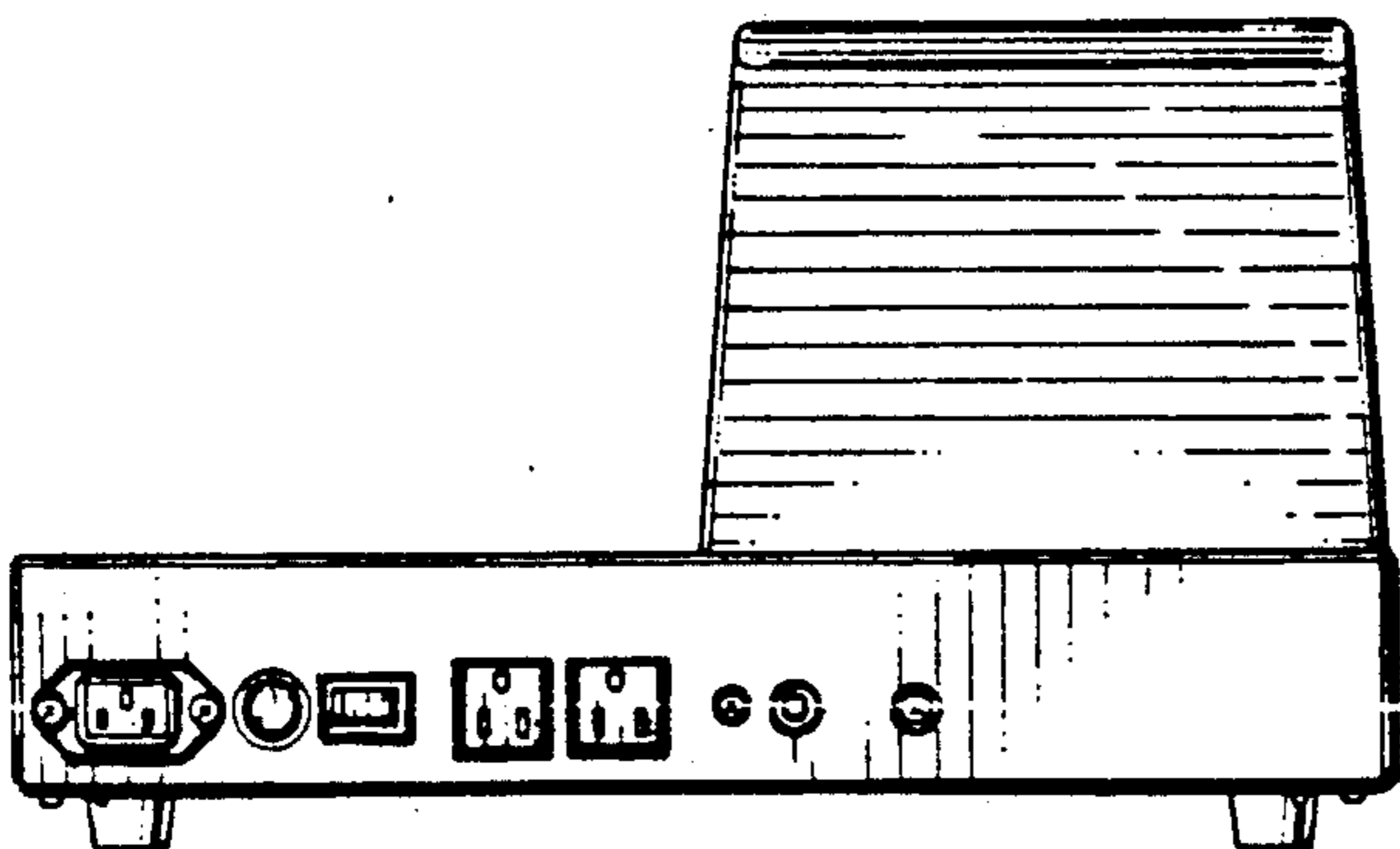


FIG. 3

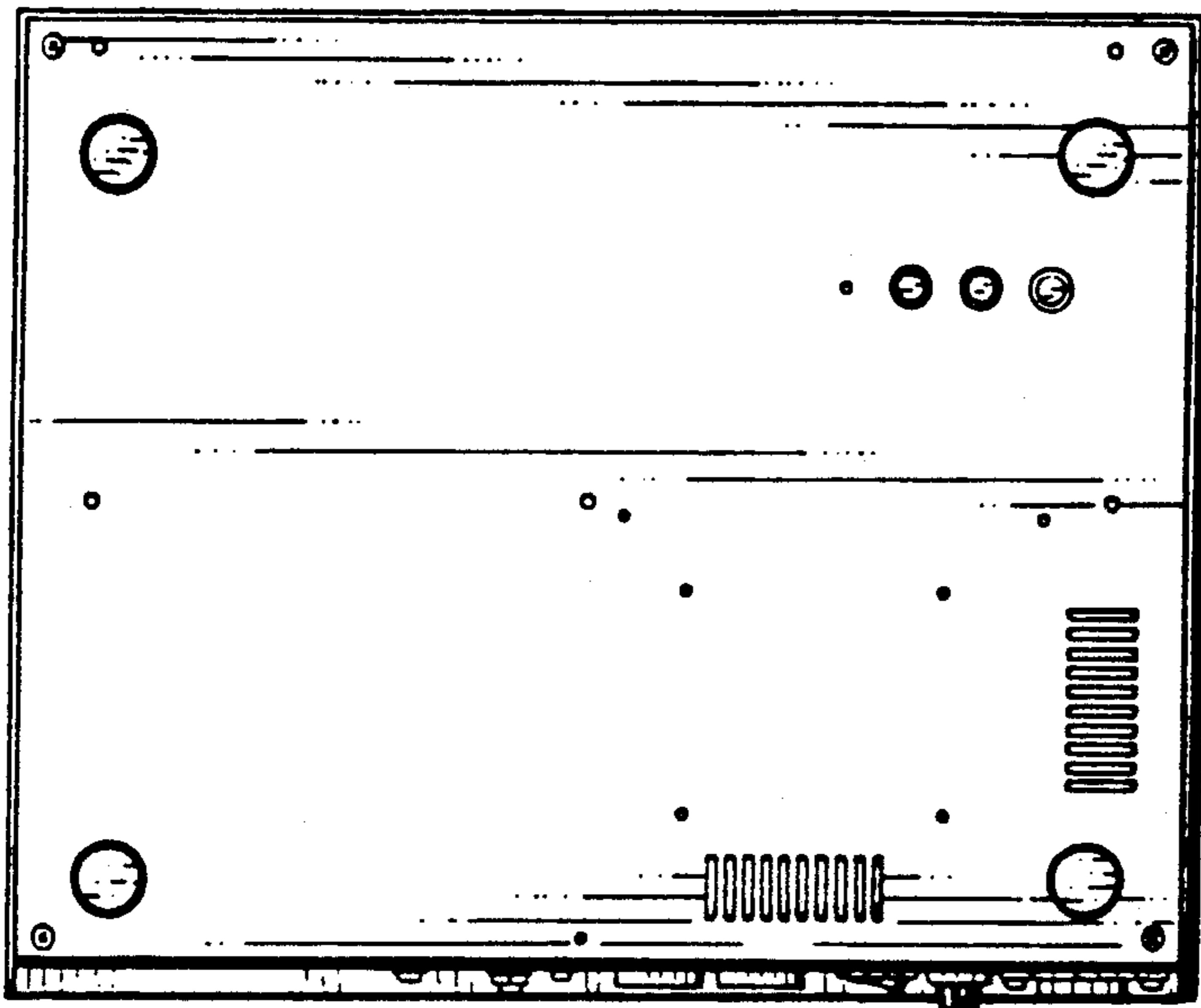


FIG. 6

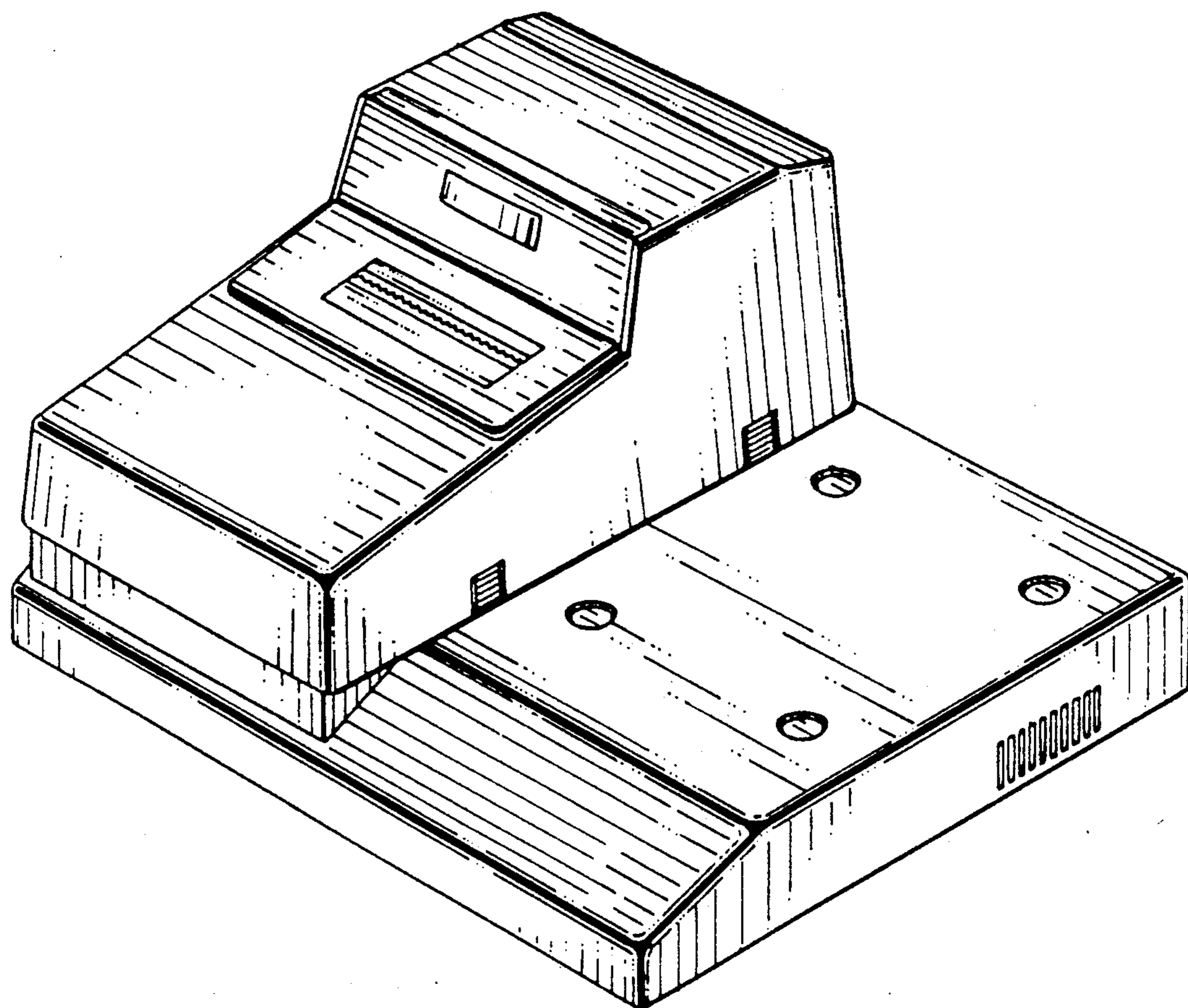


FIG. 7