

[54] REMOTE CONTROL SWITCH

[75] Inventor: Warwick M. Whitley, II, Lynn Haven, Fla.  
[73] Assignee: Attwood Corporation, Lowell, Mich.  
[\*\*] Term: 14 Years  
[21] Appl. No.: 397,794

[22] Filed: Aug. 24, 1989  
[52] U.S. Cl. .... D13/171  
[58] Field of Search ..... D13/158, 162, 168, 171, D13/177; D8/350, 353; 200/5 R, 5 E, 18, 412, 302.2, 417, 514, 520; 174/66

[56] References Cited

U.S. PATENT DOCUMENTS

D. 159,004	6/1950	Russell	.....	D8/350 X
D. 186,075	9/1959	Ford	.....	D13/168
2,363,854	11/1944	Bierenfeld	.....	D13/171 X
2,421,865	6/1947	Beeman	.....	D13/171 X
4,652,706	3/1987	Rao et al.	.....	200/302.2

FOREIGN PATENT DOCUMENTS

0643196 7/1962 Italy ..... 174/66

OTHER PUBLICATIONS

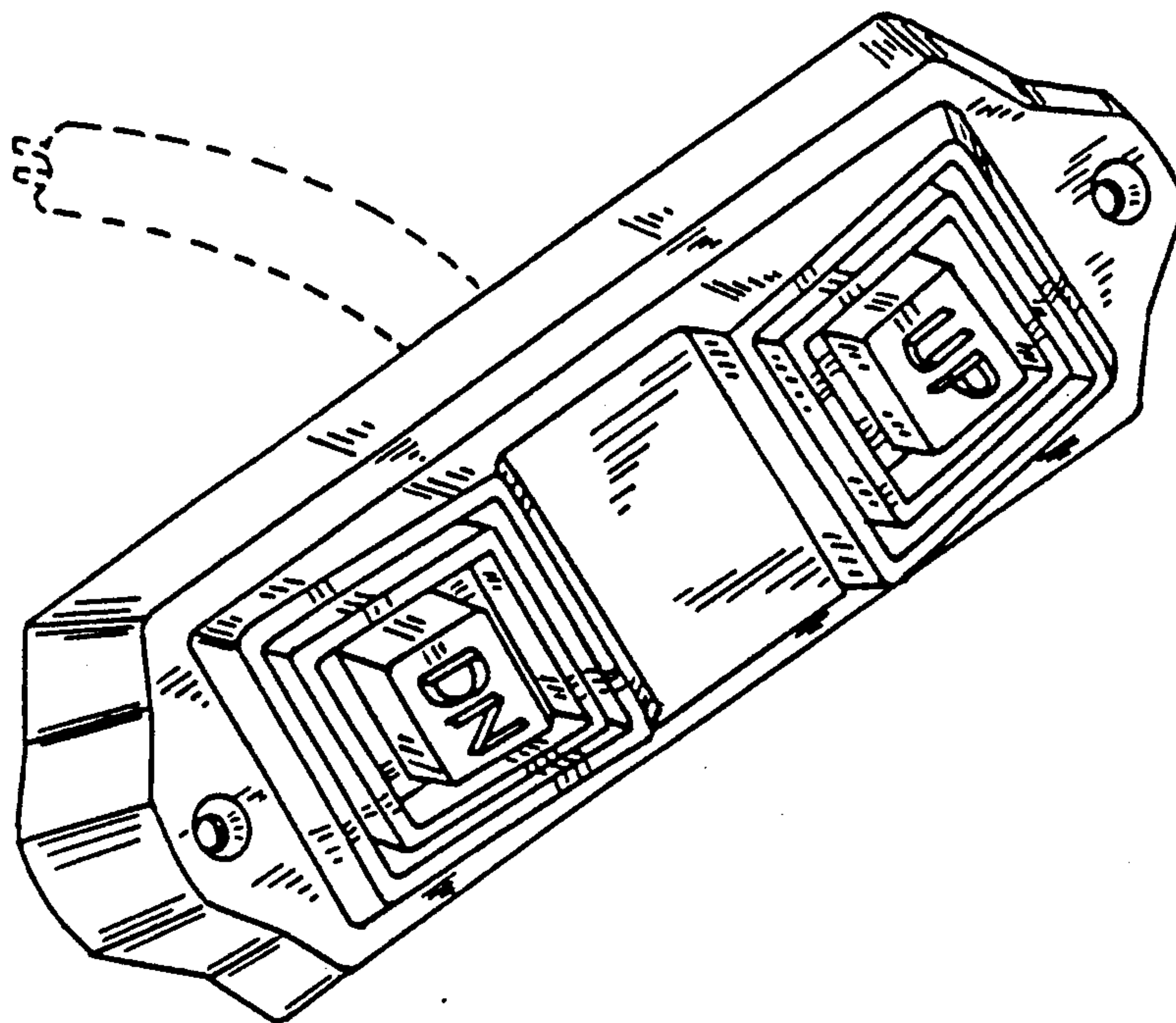
T-H Marine Supplies, Inc., catalog, 1987-1988, p. 5.  
*Primary Examiner*—Susan J. Lucas  
*Assistant Examiner*—Joel Sincavage  
*Attorney, Agent, or Firm*—Price, Heneveld, Cooper, DeWitt & Litton

[57] CLAIM

An ornamental design for a remote control switch, as shown and described.

DESCRIPTION

FIG. 1 is a top perspective view of a remote control switch showing my new design. The broken line showing is included for the purpose of illustrating environmental elements only and forms no part of the claimed design;  
FIG. 2 is a side elevational view thereof, the opposite side elevational view being a mirror image;  
FIG. 3 is an end elevational view thereof, the opposite end elevational view being a mirror image;  
FIG. 4 is a bottom, plan view thereof; and  
FIG. 5 is a top, plan view thereof.



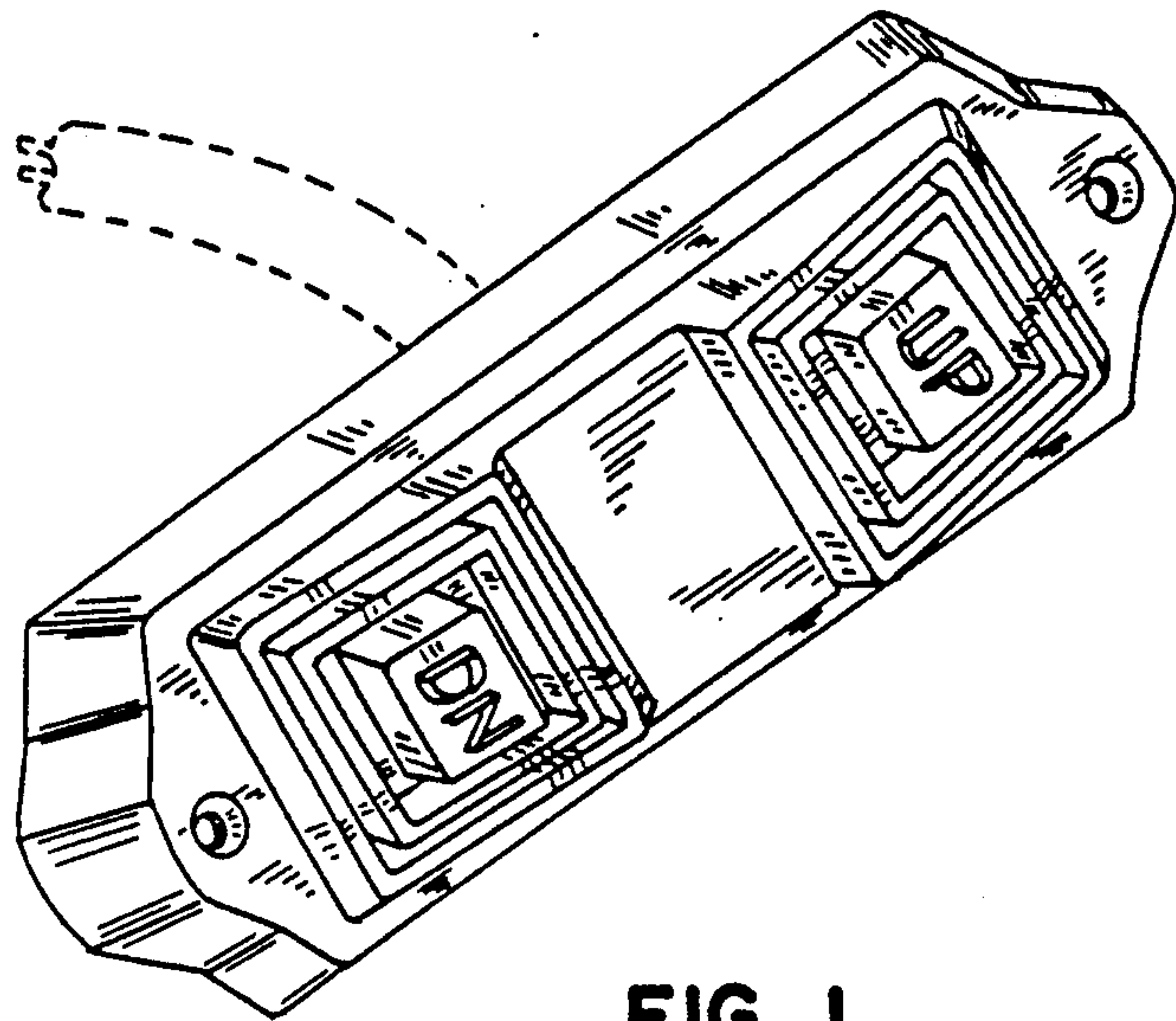


FIG. 1

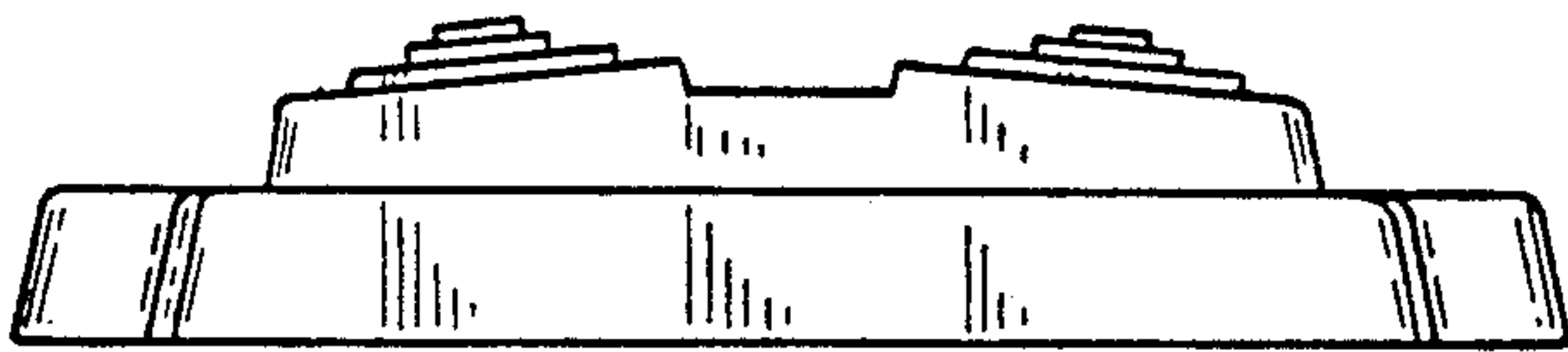


FIG. 2

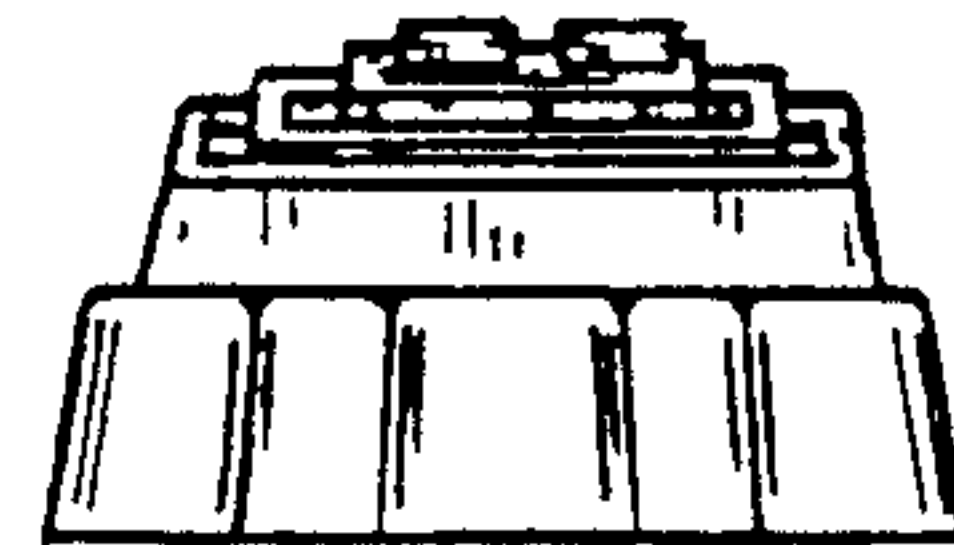


FIG. 3

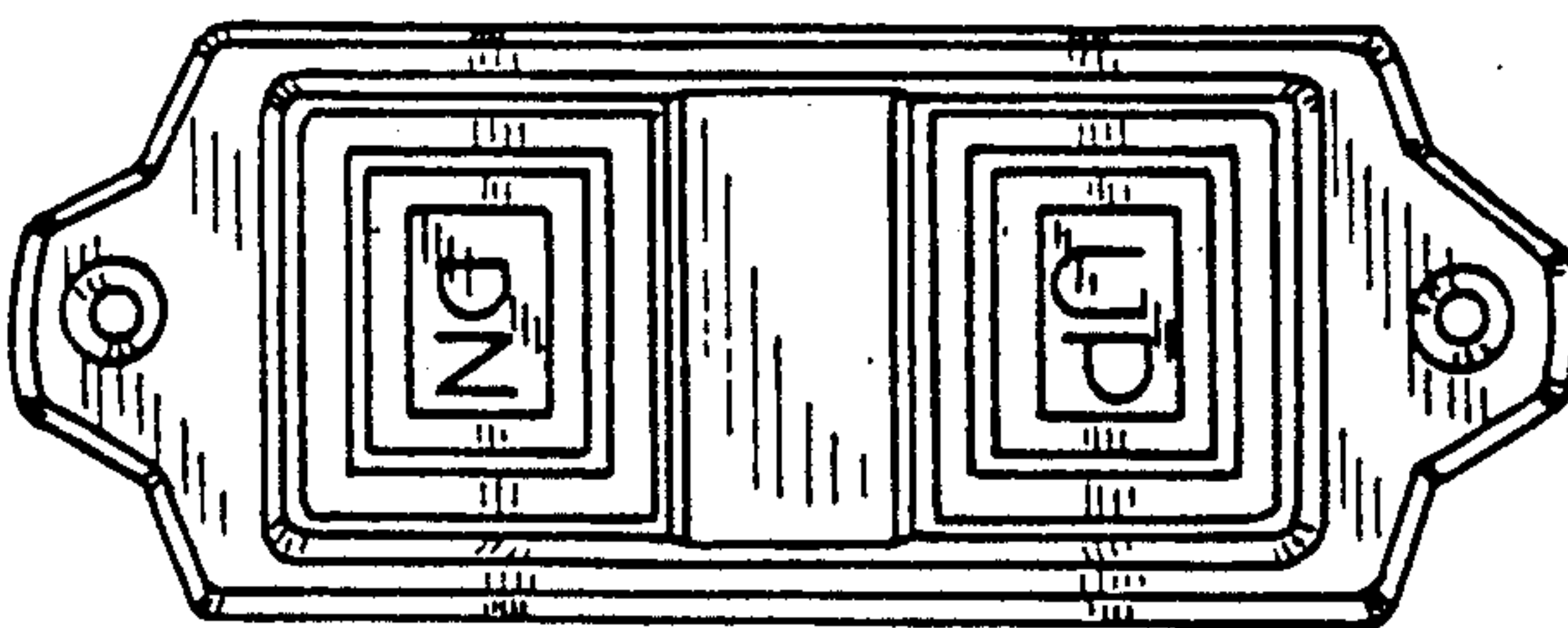


FIG. 5

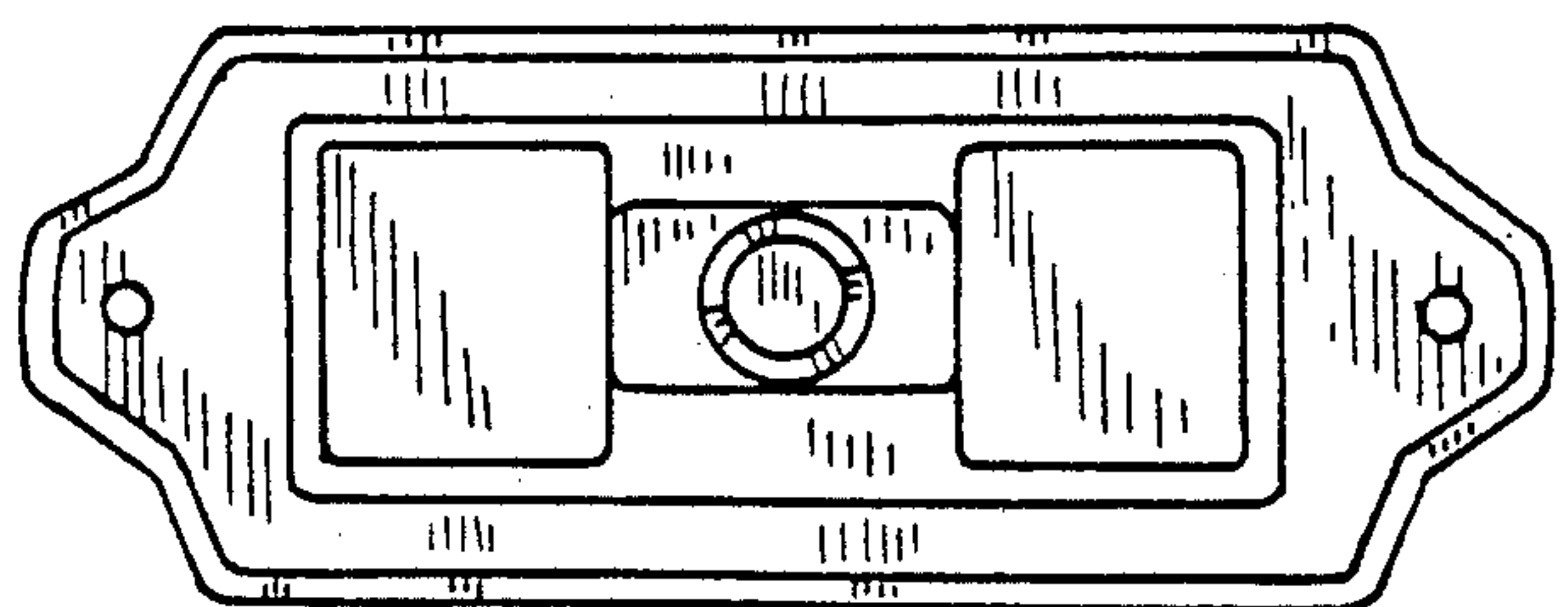


FIG. 4