

[54] ELECTRONIC-TRIP MOLDED-CASE CIRCUIT BREAKER

[75] Inventors: James I. Smith; Dennis W. Heath, both of Avon; Richard E. Saunders, Granby, all of Conn.

[73] Assignee: General Electric Company, New York, N.Y.

[*] Notice: The portion of the term of this patent subsequent to Jul. 23, 2005 has been disclaimed.

[**] Term: 14 Years

[21] Appl. No.: 367,513

[22] Filed: Jun. 16, 1989

[52] U.S. Cl. D13/160

[58] Field of Search D13/158, 160, 169; 335/8, 9, 10, 17, 44, 132, 202; 200/293, 294, 303, 308, 309

[56] References Cited

U.S. PATENT DOCUMENTS

D. 183,811	10/1958	Hagaman	D13/160
3,213,232	10/1965	Gryetko	335/44 X
4,611,201	9/1986	Guim et al.	200/310 X
4,644,122	2/1987	Farley et al.	200/308 X
4,754,247	6/1988	Raymont et al.	200/303 X

Primary Examiner—James M. Gandy
Assistant Examiner—J. Sincavage
Attorney, Agent, or Firm—Richard A. Menelly; Walter C. Bernkopf; Fred Jacob

[57] CLAIM

The ornamental design for an electronic-trip, molded-case circuit breaker, as shown and described.

DESCRIPTION

FIG. 1 is a top perspective view of an electronic-trip, molded-case circuit breaker showing our new design; FIG. 2 is a left end elevational view thereof; FIG. 3 is a right end elevational view thereof; FIG. 4 is a front elevational view thereof, the rear elevational view being a mirror image; FIG. 5 is a top plan view of an electronic-trip, molded-case circuit breaker showing our new design on an enlarged scale; and FIG. 6 is a bottom plan view thereof.

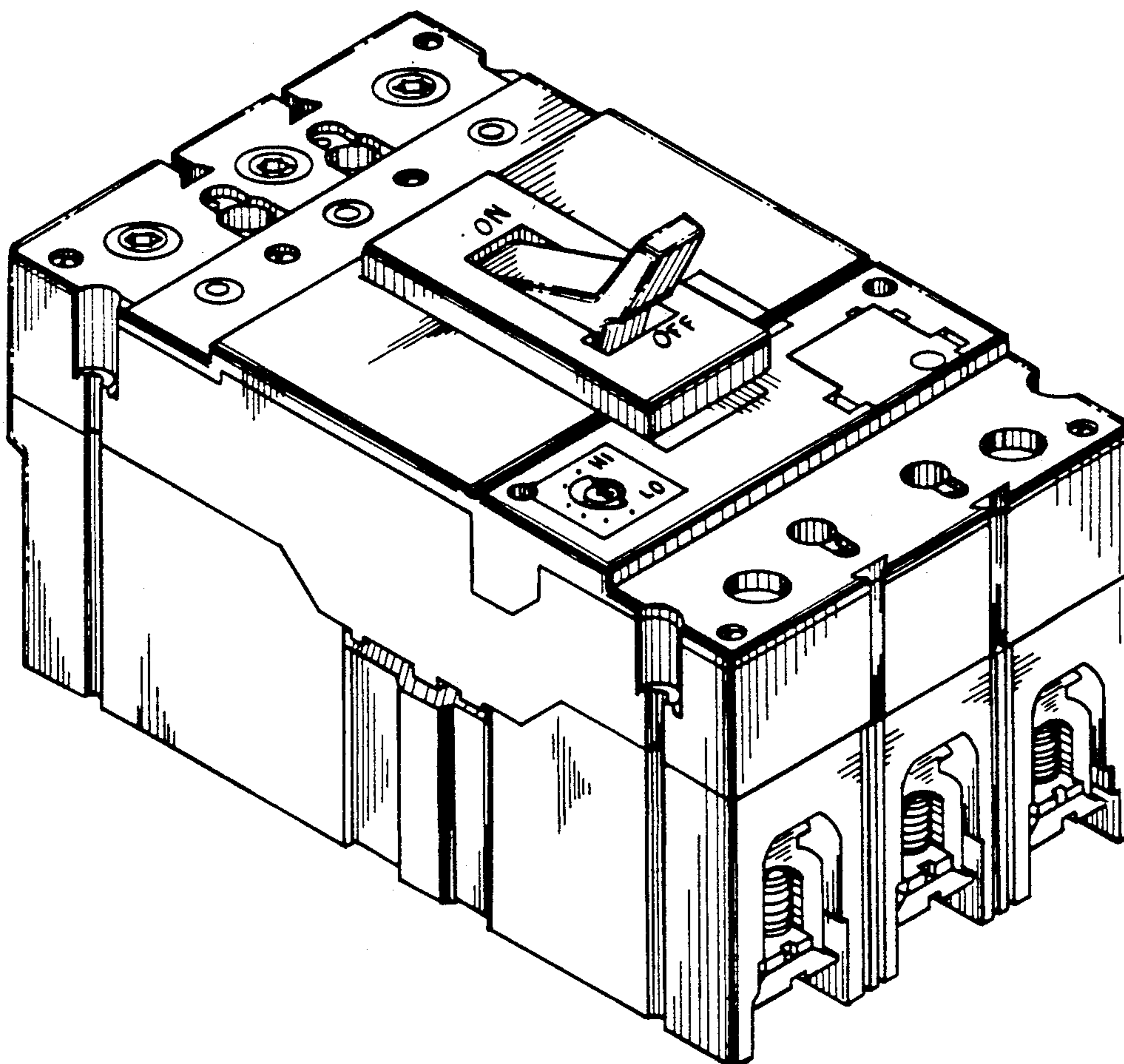


FIG 1

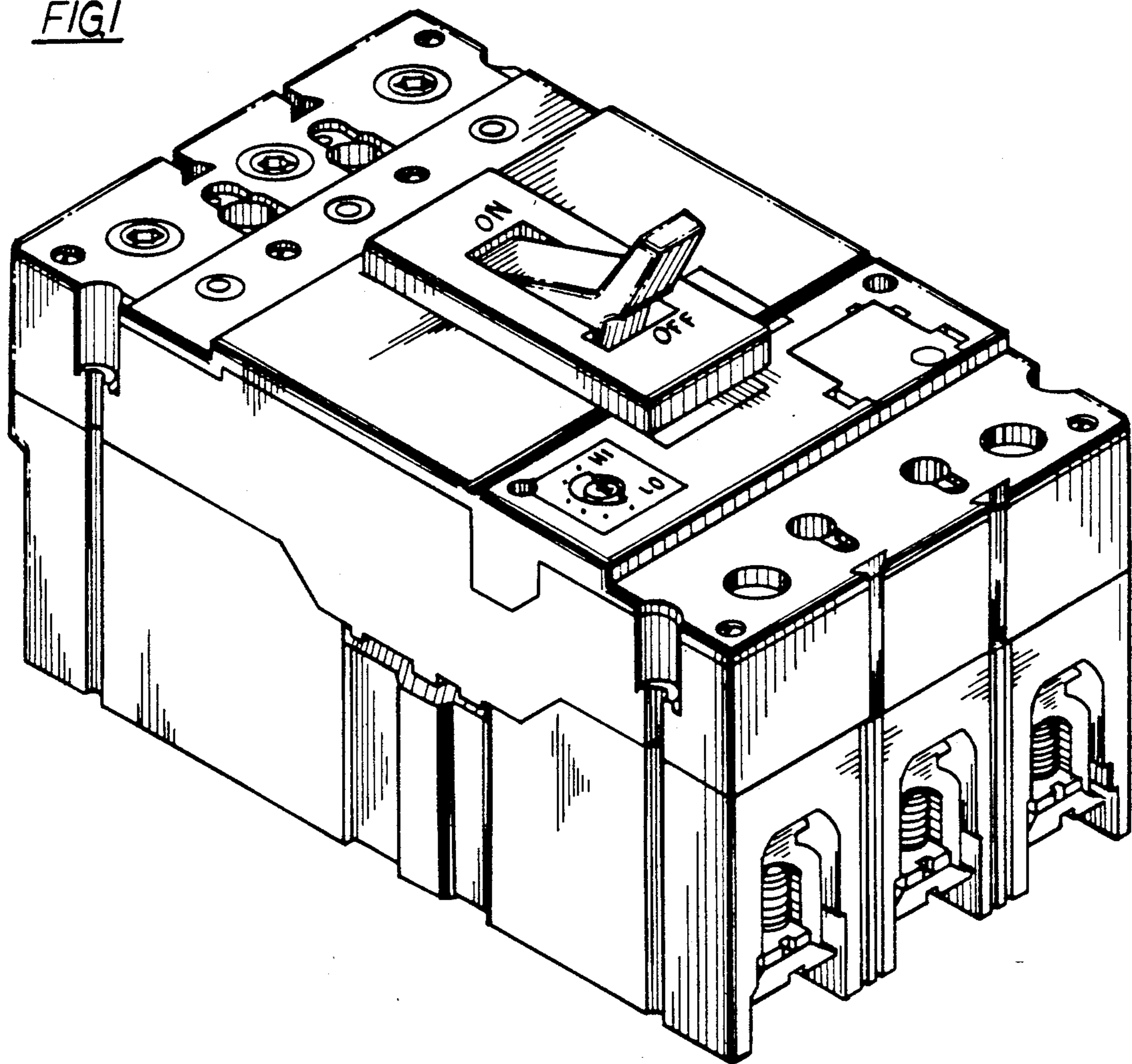


FIG. 2

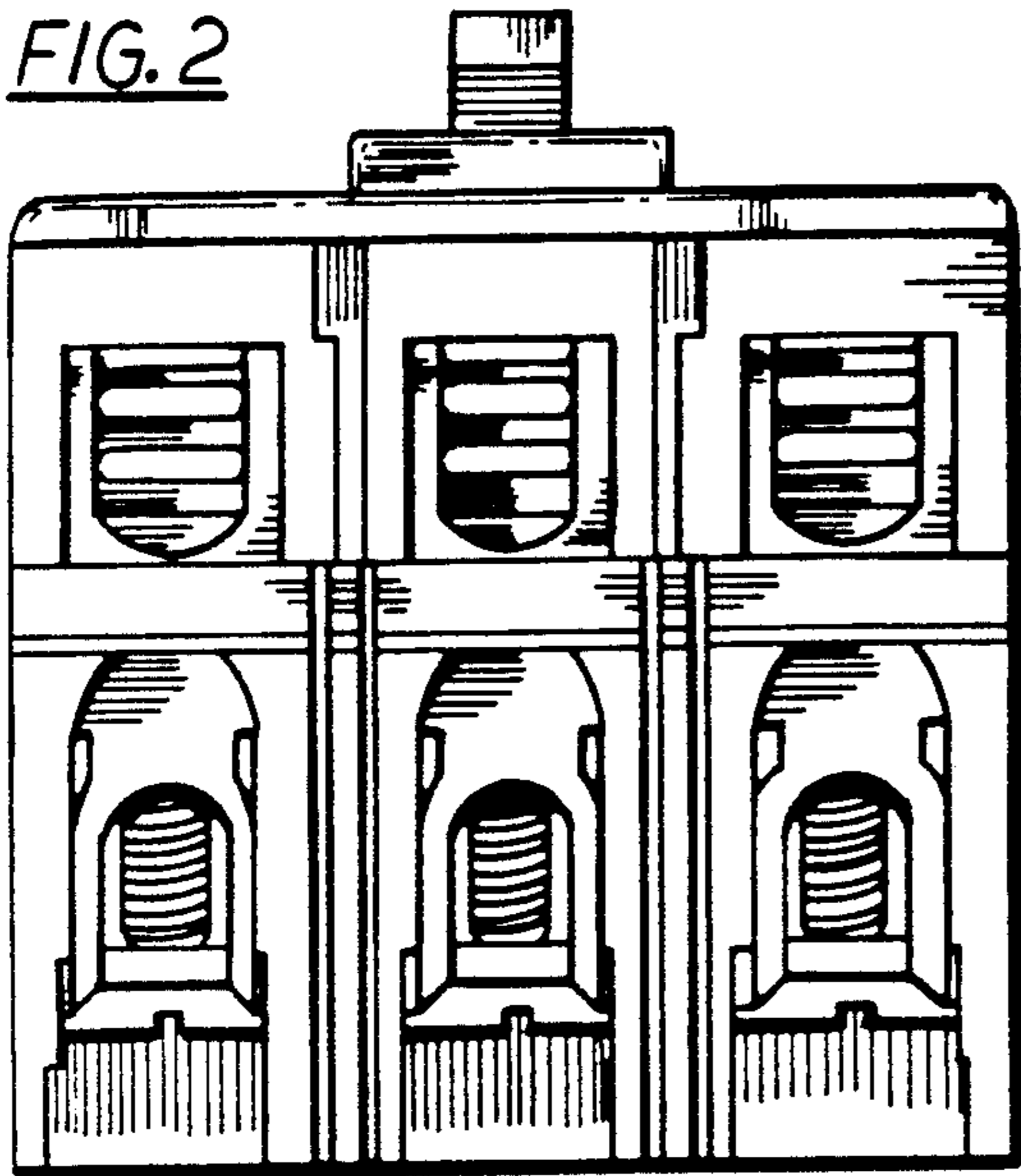


FIG. 3

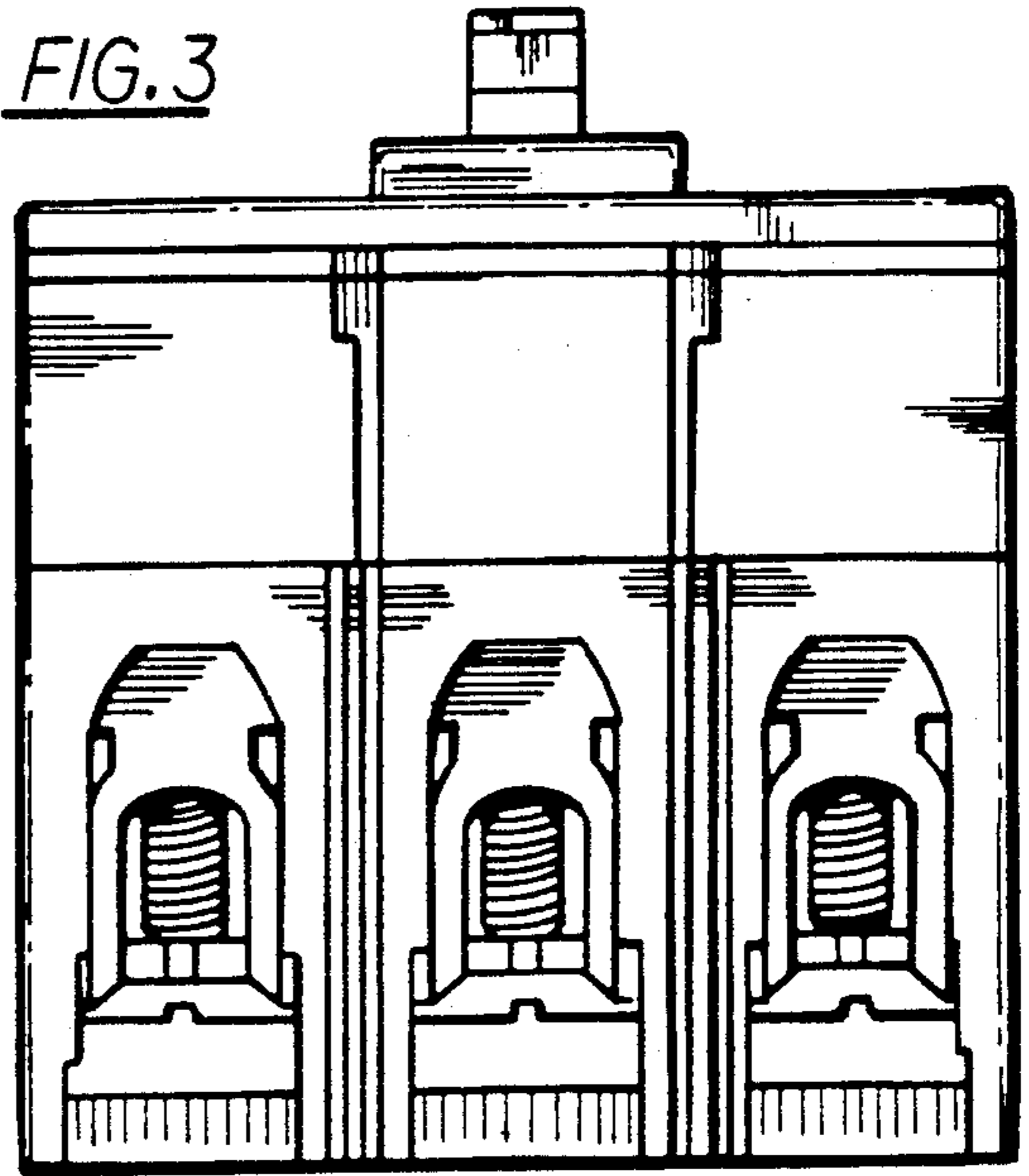


FIG. 4

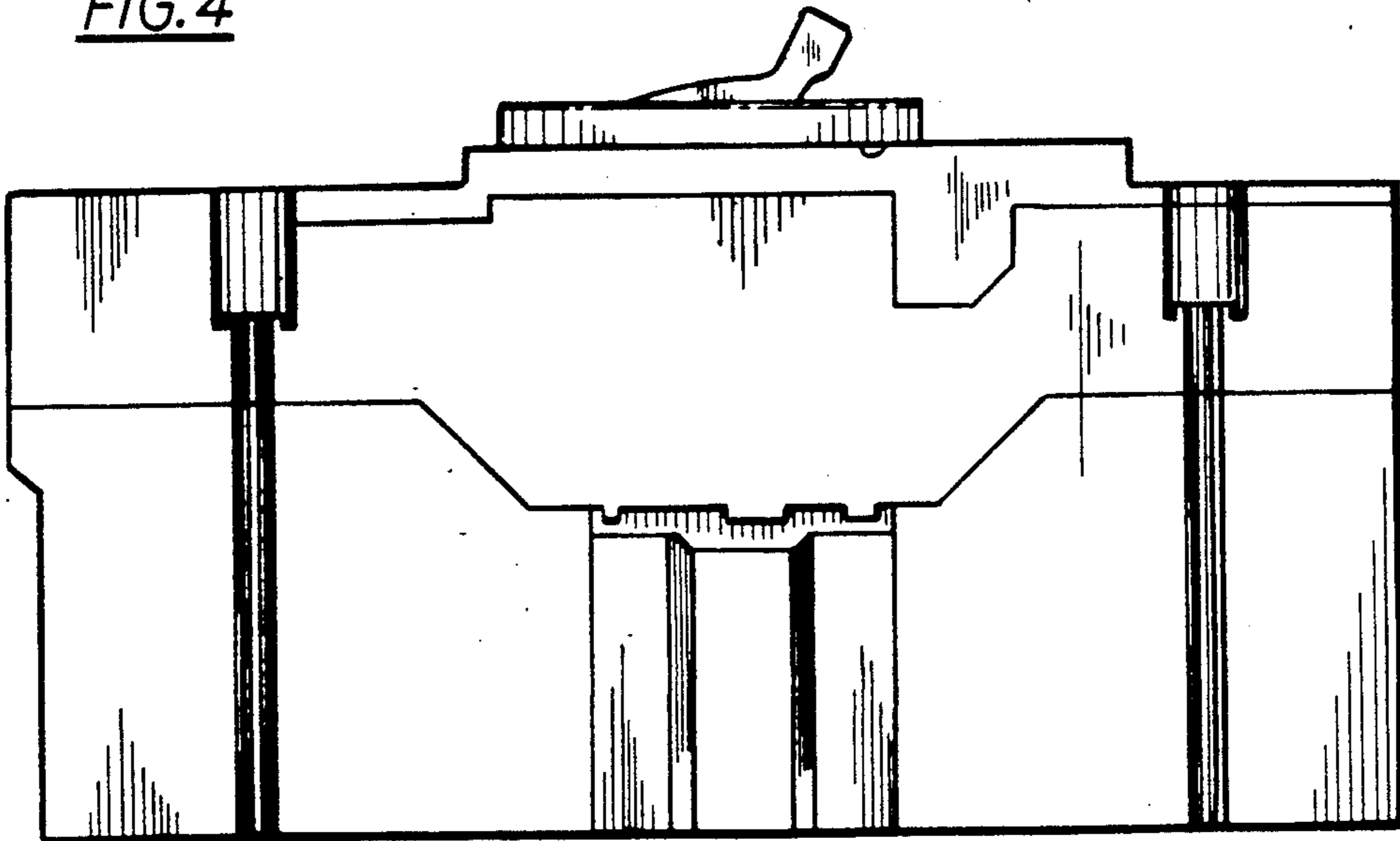


FIG. 6

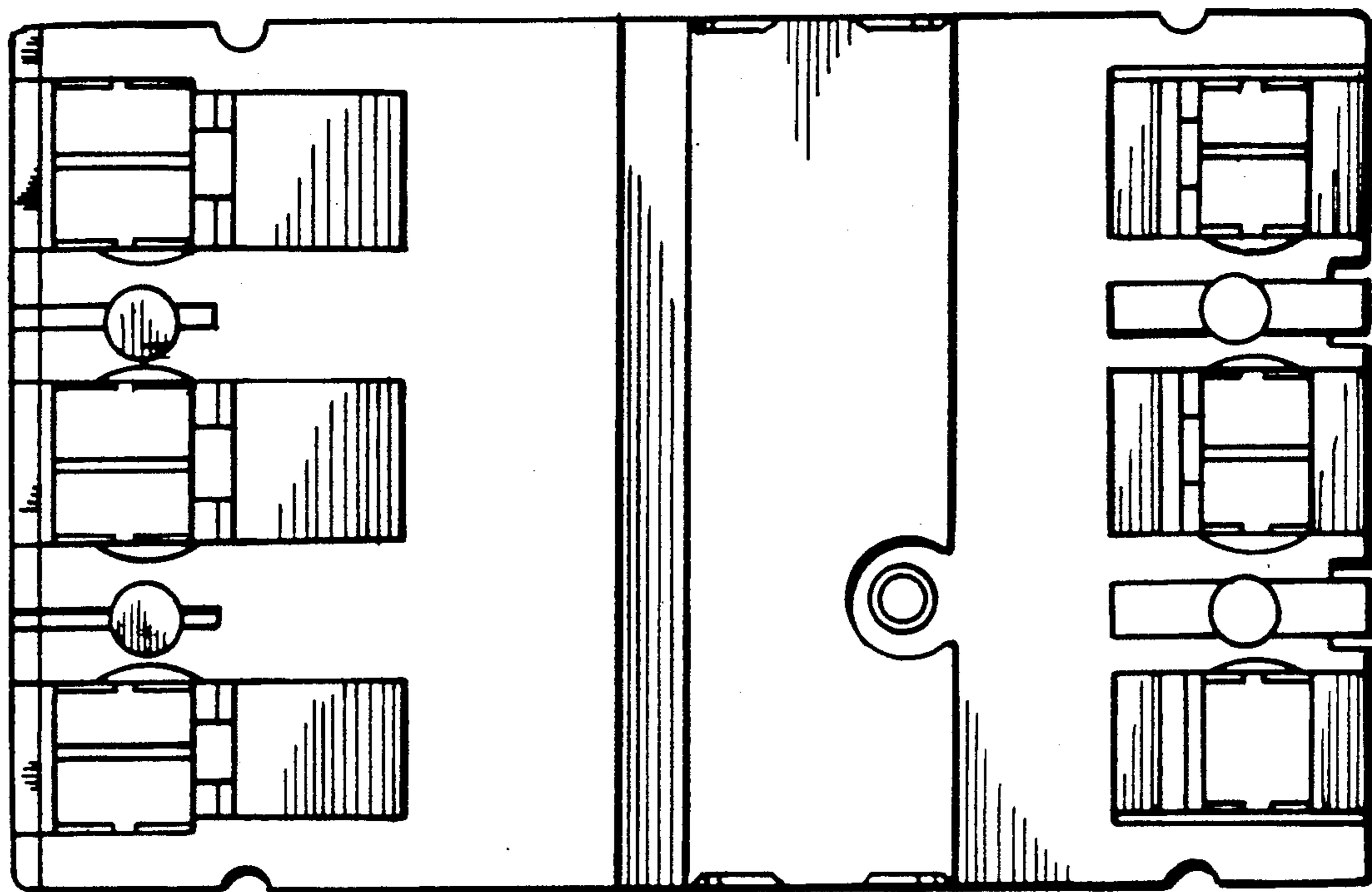


FIG. 5

