

[54] MOTOR HOME BODY FRONT PANEL EXTERIOR SURFACE

[75] Inventors: Wade F. B. Thompson, New York, N.Y.; David Willis, Huntsville, Ohio

[73] Assignee: Airstream, Inc., Jackson Center, Ohio

[**] Term: 14 Years

[21] Appl. No.: 277,056

[22] Filed: Nov. 28, 1988

[52] U.S. Cl. D12/196; D12/100

[58] Field of Search D12/196, 100, 99; 296/194, 195, 196, 197

[56] References Cited PUBLICATIONS

R.V. Business, Jun. 1988, p. 39, Monitor Motor Home Front Panel.

R.V. Business, Mar. 1988, p. 31, Motor Home Front Panel in the Arco Solar Inc. Brochure.

R.V. Business, Jan. 1988, p. 38, Rockwood Motor Home Front Panel Classic XR.

R.V. Business, Dec. 1987, p. 13, Front Panels of Fleetwood Motor Homes.

Primary Examiner—James M. Gandy
Assistant Examiner—Melody Brown
Attorney, Agent, or Firm—Killworth, Gottman, Hagan & Schaeff

[57] CLAIM

The ornamental design for a motor home body front panel exterior surface, as shown and described.

DESCRIPTION

FIG. 1 is a left side elevational view of a motor home body front panel exterior surface showing our new design, it being understood that the broken lines are for illustrative purposes only and form no part of the claimed design;

FIG. 2 is a perspective view thereof;

FIG. 3 is a front, elevational view thereof.

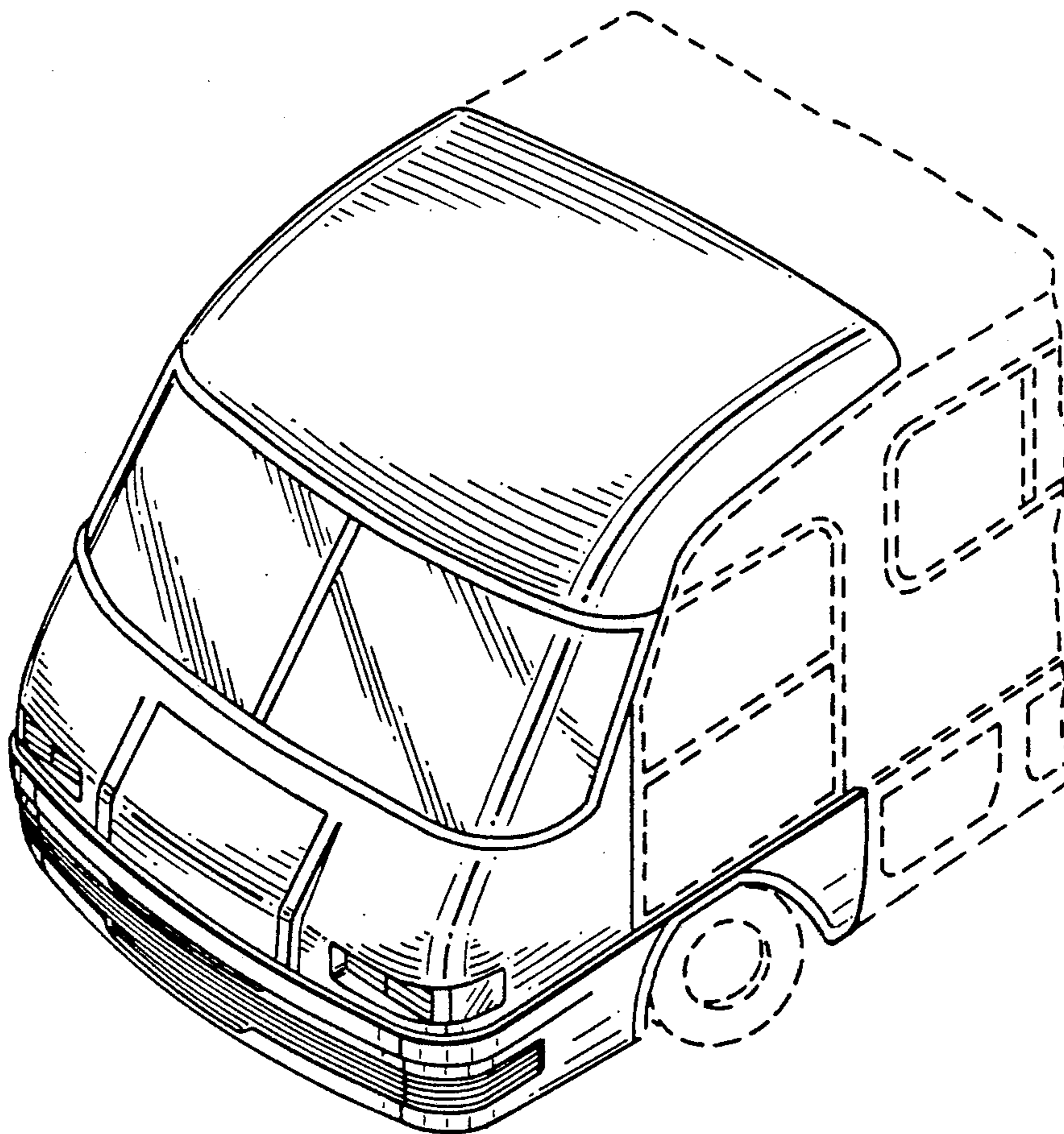


FIG-1

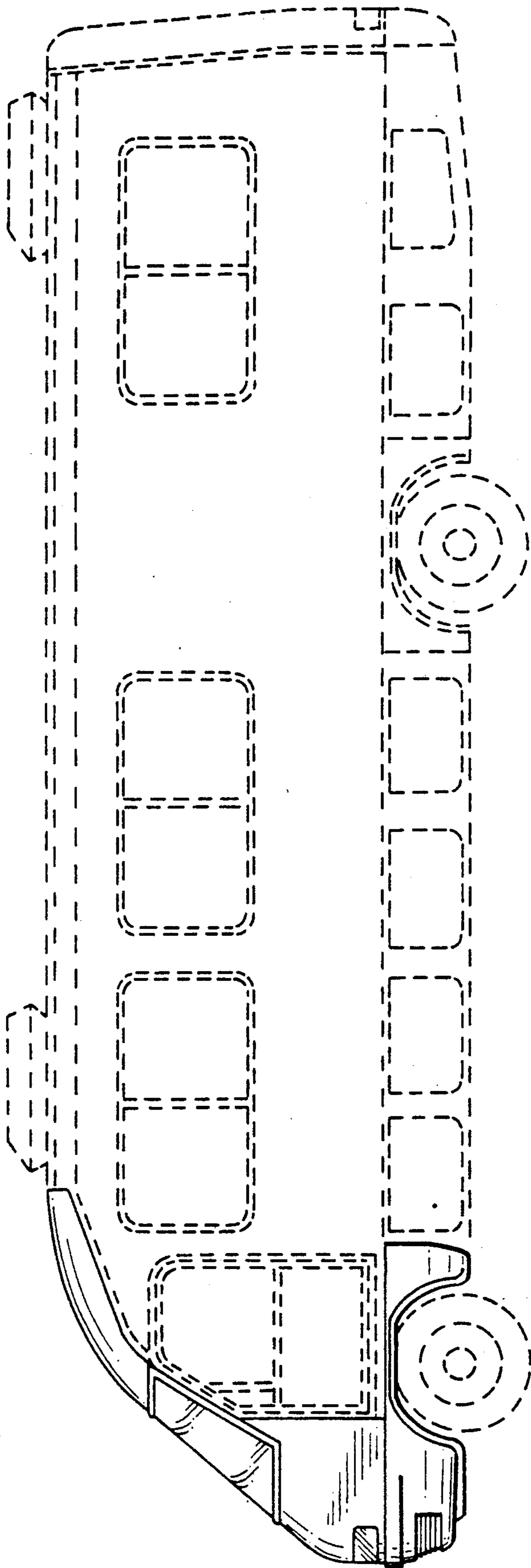


FIG-2

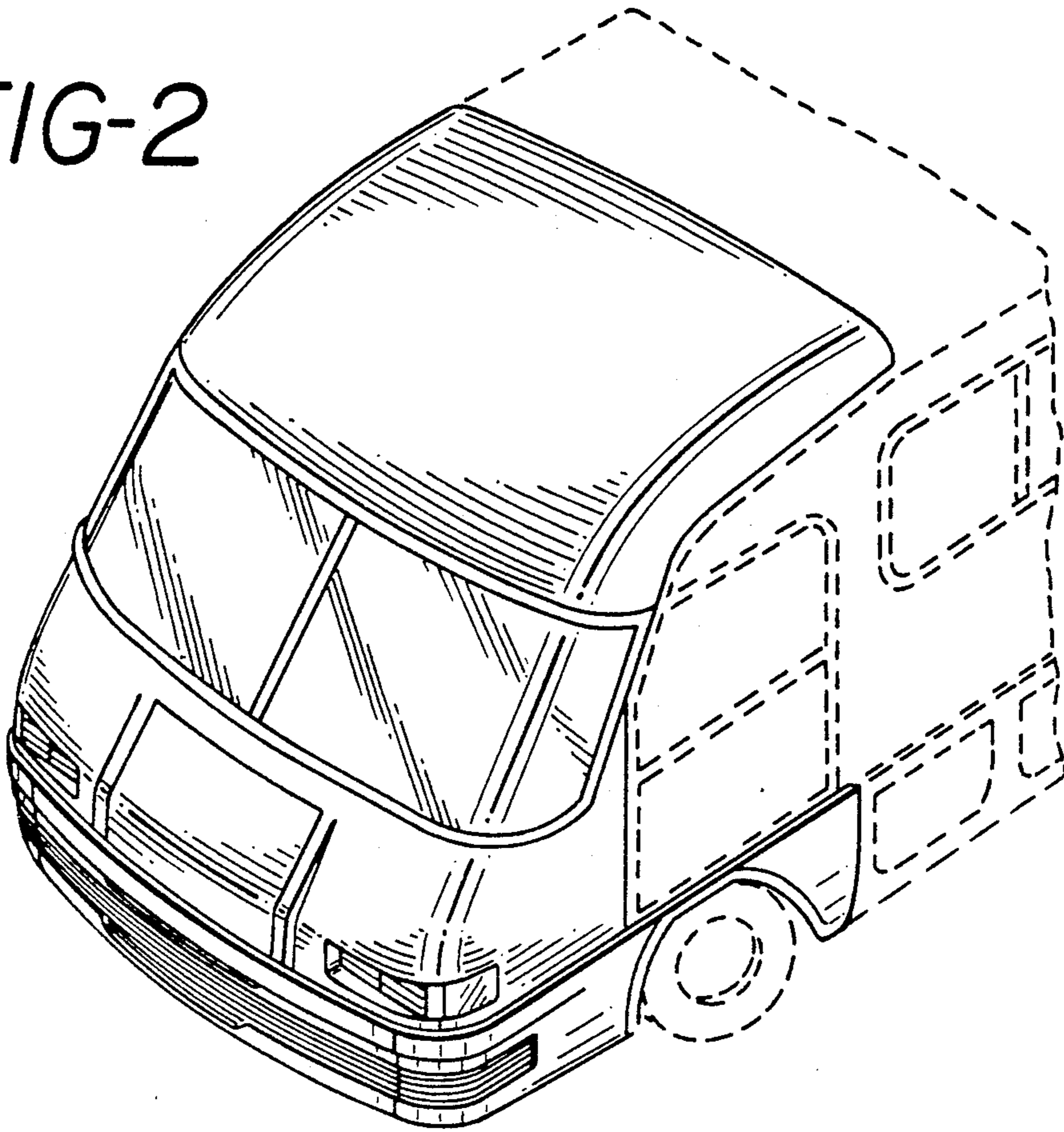


FIG-3

