

[54] **MOTOR HOME BODY REAR PANEL EXTERIOR SURFACE**

[75] **Inventors: Wade F. B. Thompson, New York, N.Y.; David Willis, Huntsville, Ohio**

[73] **Assignee: Airstream, Inc., Jackson Center, Ohio**

[\*\*] **Term: 14 Years**

[21] **Appl. No.: 277,055**

[22] **Filed: Nov. 28, 1988**

[52] **U.S. Cl. .... D12/196**

[58] **Field of Search .... D12/196, 100, 99; 296/194, 195, 196, 197**

221,933	9/1971	McKenney .....	D12/99
227,242	6/1973	Hanson .....	D12/100
227,757	7/1973	Thorensen .....	D12/100
230,019	1/1974	Cox .....	D12/100
231,731	6/1974	Deesen et al. ....	D12/100
232,083	7/1974	Lano .....	D12/100
233,884	12/1974	Stewart .....	D12/99
239,101	3/1976	Baer .....	D12/100
249,881	10/1978	Ginoulhiac .....	D12/100
256,573	8/1980	Breinholt .....	D12/100
259,190	5/1981	Rowe .....	D12/100
262,531	1/1982	Hanson .....	D12/99

**OTHER PUBLICATIONS**

Xplorer Motor Homes Brochure, 1974, p. 3, The Rear Panel of Xplorer 307 Motor Home.

*Primary Examiner*—James M. Gandy  
*Assistant Examiner*—Melody Brown  
*Attorney, Agent, or Firm*—Killworth, Gottman, Hagan & Schaeff

[56] **References Cited**  
**U.S. PATENT DOCUMENTS**

175,871	10/1955	Webster .....	D12/100
196,103	8/1963	Rogers .....	D12/100
196,174	9/1963	Rogers .....	D12/100
197,224	12/1963	Peterson .....	D12/100
201,011	5/1965	Mortrode .....	D12/100
210,012	1/1968	Nerem .....	D12/100
214,783	7/1969	Kormann .....	D12/100
215,595	10/1969	Bichard et al. ....	D12/100
216,526	2/1970	Birchard et al. ....	D12/100
217,143	4/1970	Bourke .....	D12/99
218,415	8/1970	Birchard et al. ....	D12/100
219,012	10/1970	Tarabusi et al. ....	D12/99
220,616	5/1971	Schwartz .....	D12/100
221,422	8/1971	Geldbaugh .....	D12/100

[57] **CLAIM**

The ornamental design for a motor home body rear panel exterior surface, as shown and described.

**DESCRIPTION**

FIG. 1 is a left side elevational view of a motor home body rear panel exterior surface showing our new design, it being understood that the broken lines are for illustrative purposes only and form no part of the claimed design;  
 FIG. 2 is a perspective view thereof;  
 FIG. 3 is a front elevational view thereof.

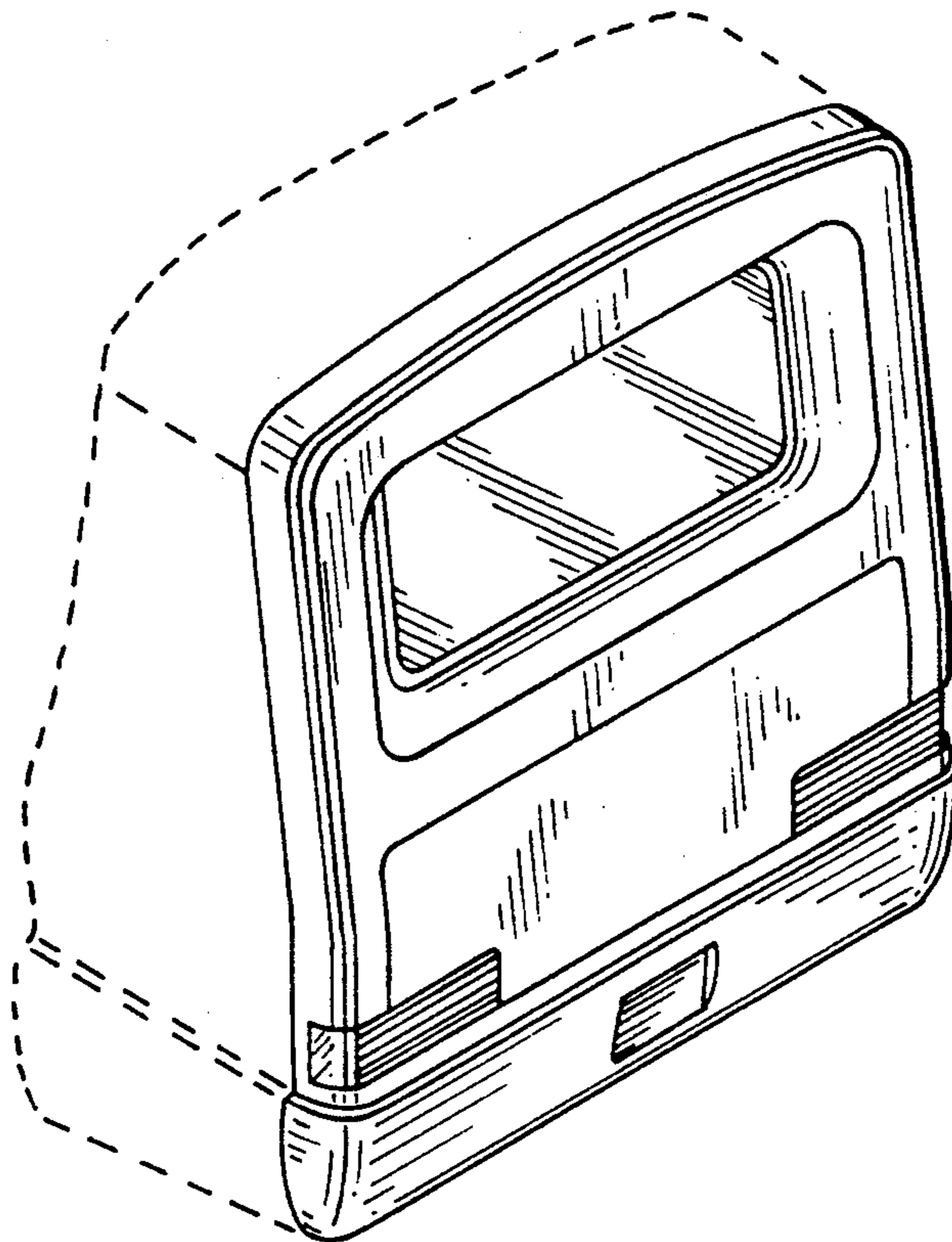
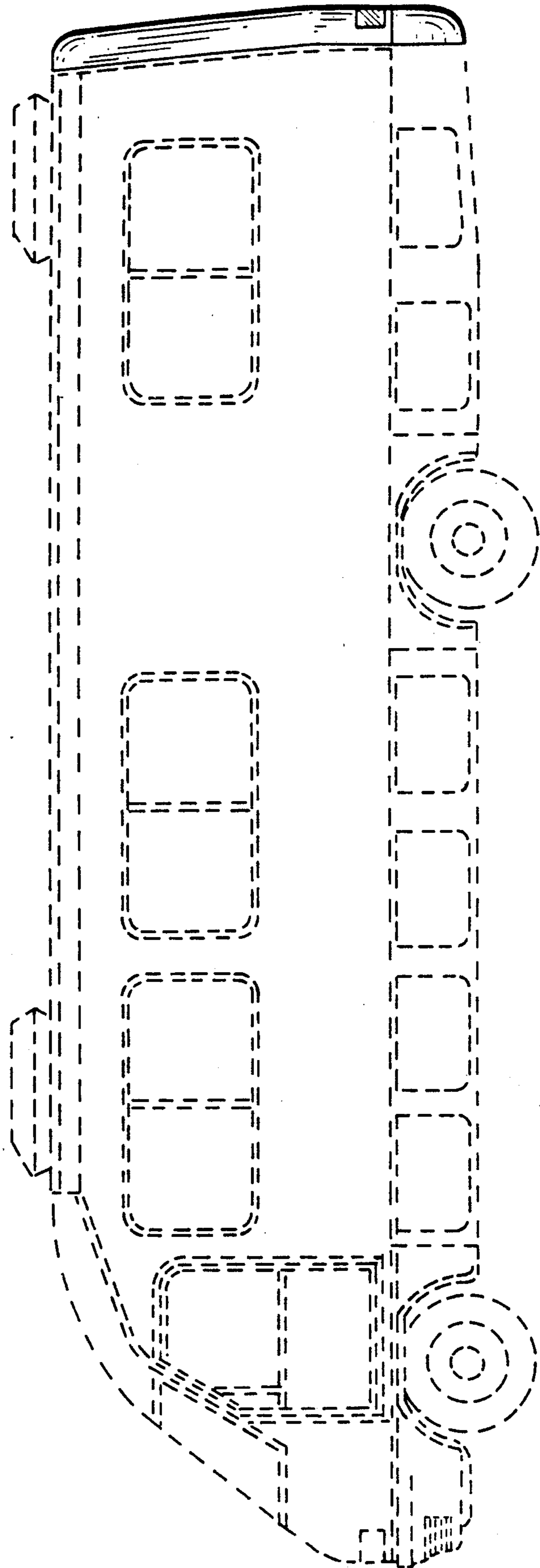


FIG-1



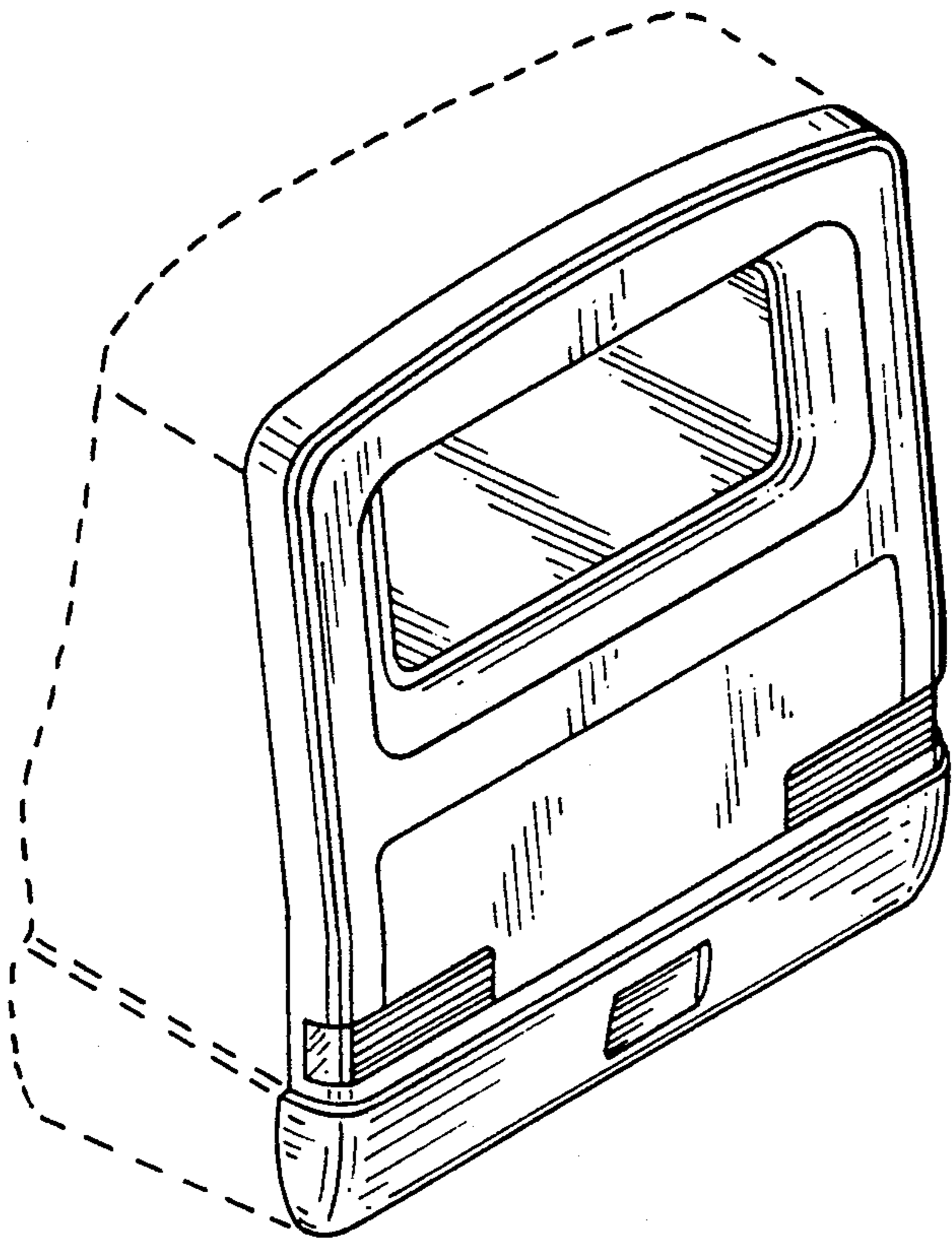


FIG-2

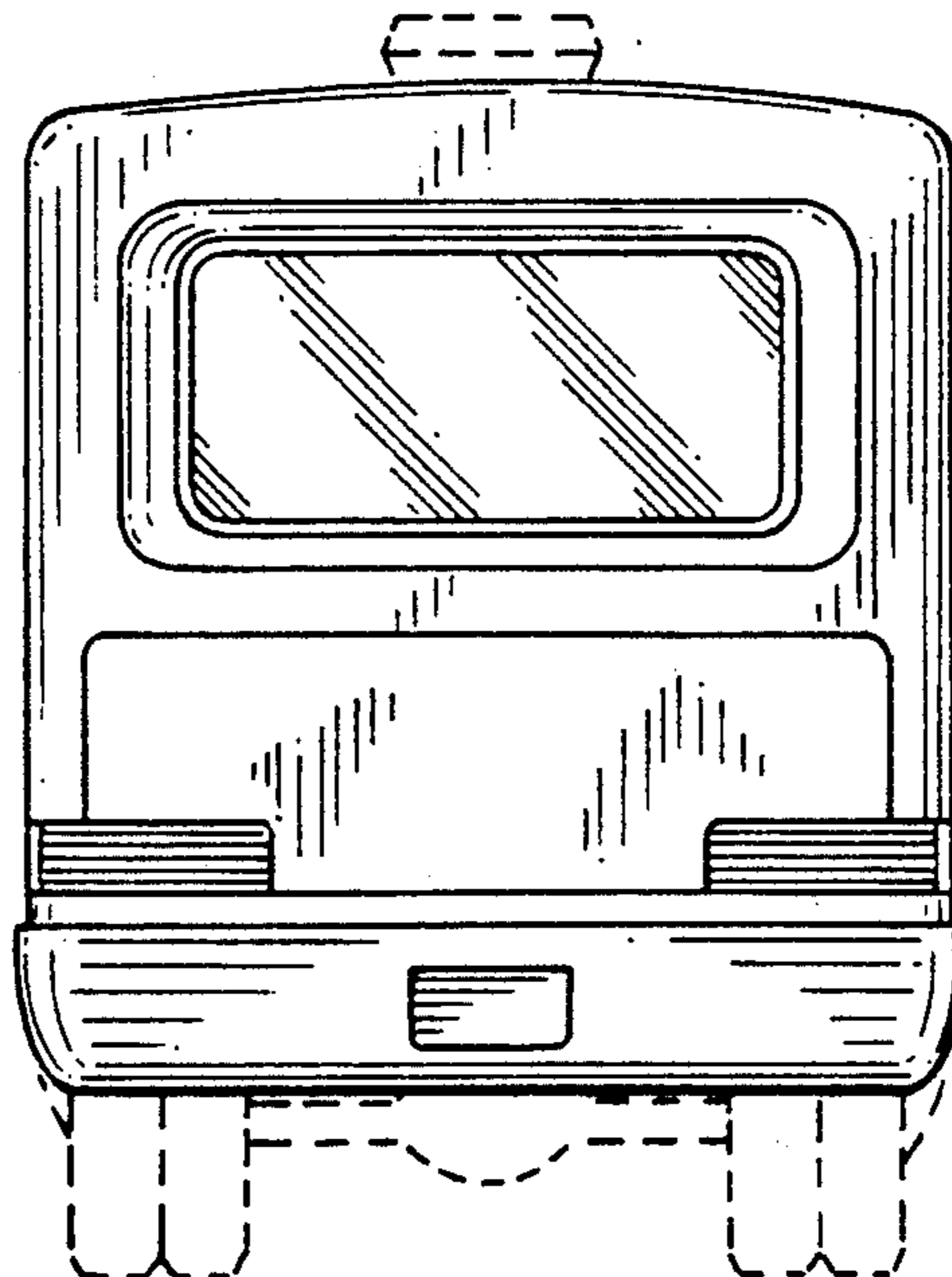


FIG-3