

[54] SPOILER

[75] Inventor: Ryozo Mikawa, Yokohama, Japan

[73] Assignee: Leonard Co., Ltd., Yokohama, Japan

[**] Term: 14 Years

[21] Appl. No.: 344,154

[22] Filed: Apr. 27, 1989

[52] U.S. Cl. D12/181

[58] Field of Search D12/181; D26/34;
296/180.1, 91

[56] References Cited

U.S. PATENT DOCUMENTS

D. 290,453 6/1987 Konen et al. D12/181
4,635,991 1/1987 Parno 296/180.1

OTHER PUBLICATIONS

J. C. Whitney Catalog No. 495P, ©1988, p. 137, Rear Wing Spoilers, bottom right side of page.

J. C. Whitney Catalog No. 495P, ©1988, p. 138, Rear Spoiler Wing [C] and [D], top left side of page.

Primary Examiner—James M. Gandy

Attorney, Agent, or Firm—Kanesaka and Takeuchi

[57] CLAIM

The ornamental design for a spoiler, as shown.

DESCRIPTION

FIG. 1 is a perspective view of a spoiler showing my design;

FIG. 2 is a front elevation view thereof;

FIG. 3 is a right side elevation view thereof;

FIG. 4 is a rear elevation view thereof;

FIG. 5 is a top plan view thereof; and

FIG. 6 is a bottom plan view thereof.

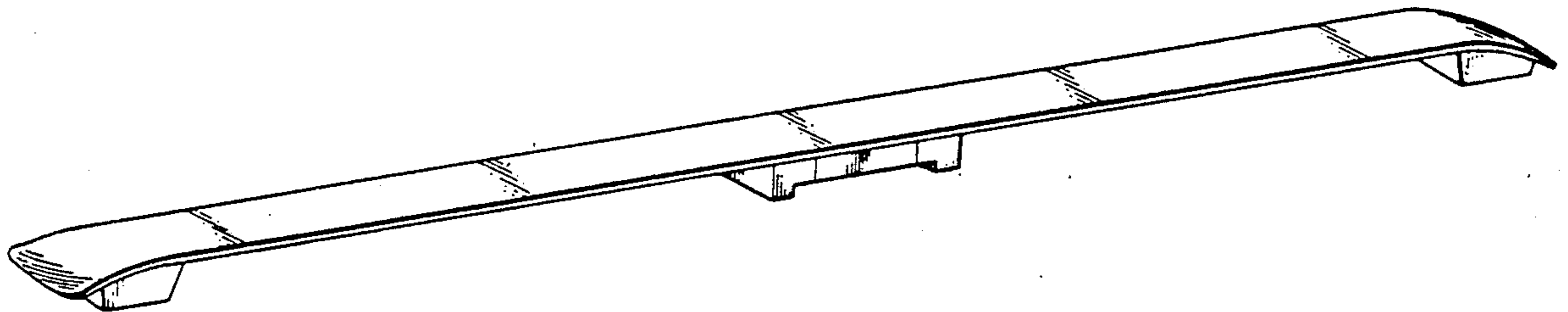


FIG.1

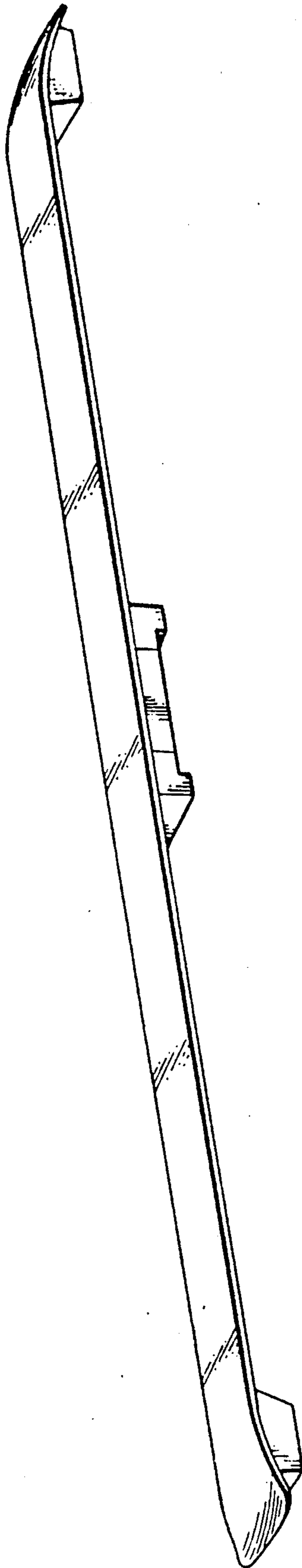


FIG.2



FIG.3



FIG.4

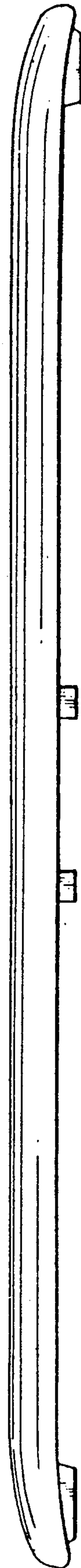


FIG. 5



FIG. 6

