

[54] GEAR SHIFTING CONSOLE FOR A BICYCLE

[75] Inventors: William H. Ropp, Centerville; Wayne Beiser, Fairfield, both of Ohio

[73] Assignee: Huffy Corporation, Miamisburg, Ohio

[**] Term: 14 Years

[21] Appl. No.: 432,276

[22] Filed: Nov. 6, 1989

[52] U.S. Cl. D12/179

[58] Field of Search D12/179; 74/523

[56] References Cited

U.S. PATENT DOCUMENTS

D. 209,944	1/1968	Schreckengost	D12/179
D. 213,655	3/1969	Shimano et al.	D12/179
D. 213,747	4/1969	Ross	D12/179
D. 265,817	8/1982	Hahn	D12/179
D. 281,409	11/1985	Cambria	D12/179

D. 314,544	2/1991	Kuo	D12/179
3,443,825	5/1969	Wolf	D12/179
3,732,787	5/1973	Yamaguchi	D12/179
3,896,759	7/1975	Ogura	74/523
4,770,057	9/1988	Foggini	74/523
4,819,501	4/1989	Kraus et al.	74/523

Primary Examiner—James M. Gandy
Assistant Examiner—Melody Brown
Attorney, Agent, or Firm—Biebel & French

[57] CLAIM

The ornamental design for a gear shifting console for a bicycle, as shown.

DESCRIPTION

FIG. 1 is a perspective view of a gear shifting console for a bicycle, showing our new design; FIG. 2 is a rear elevational view thereof; FIG. 3 is a front elevational view thereof; FIG. 4 is a top plan view thereof; FIG. 5 is a right side elevational view thereof; and FIG. 6 is a left side elevational view thereof, opposite that shown in FIG. 5.

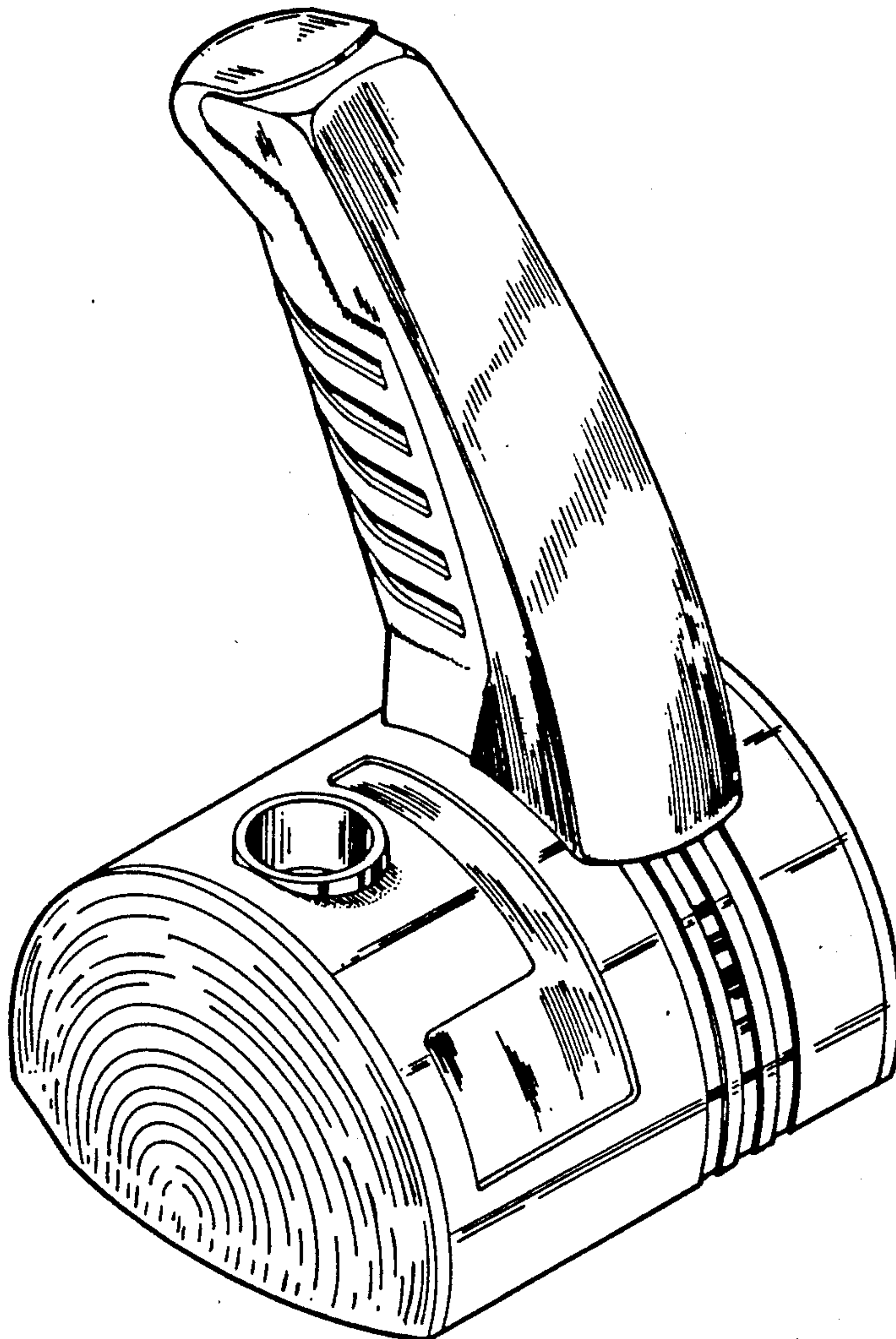


FIG -1

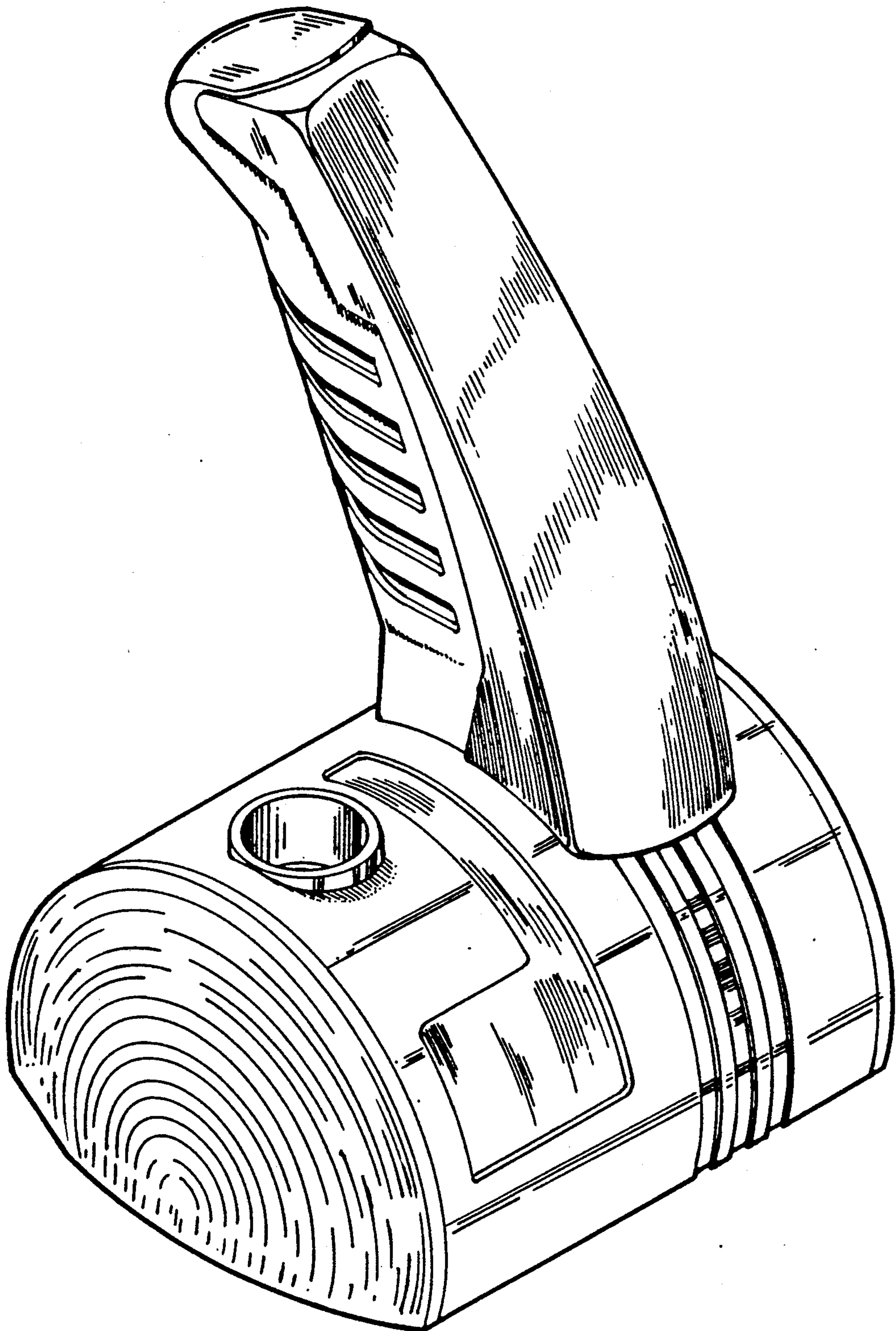


FIG-2

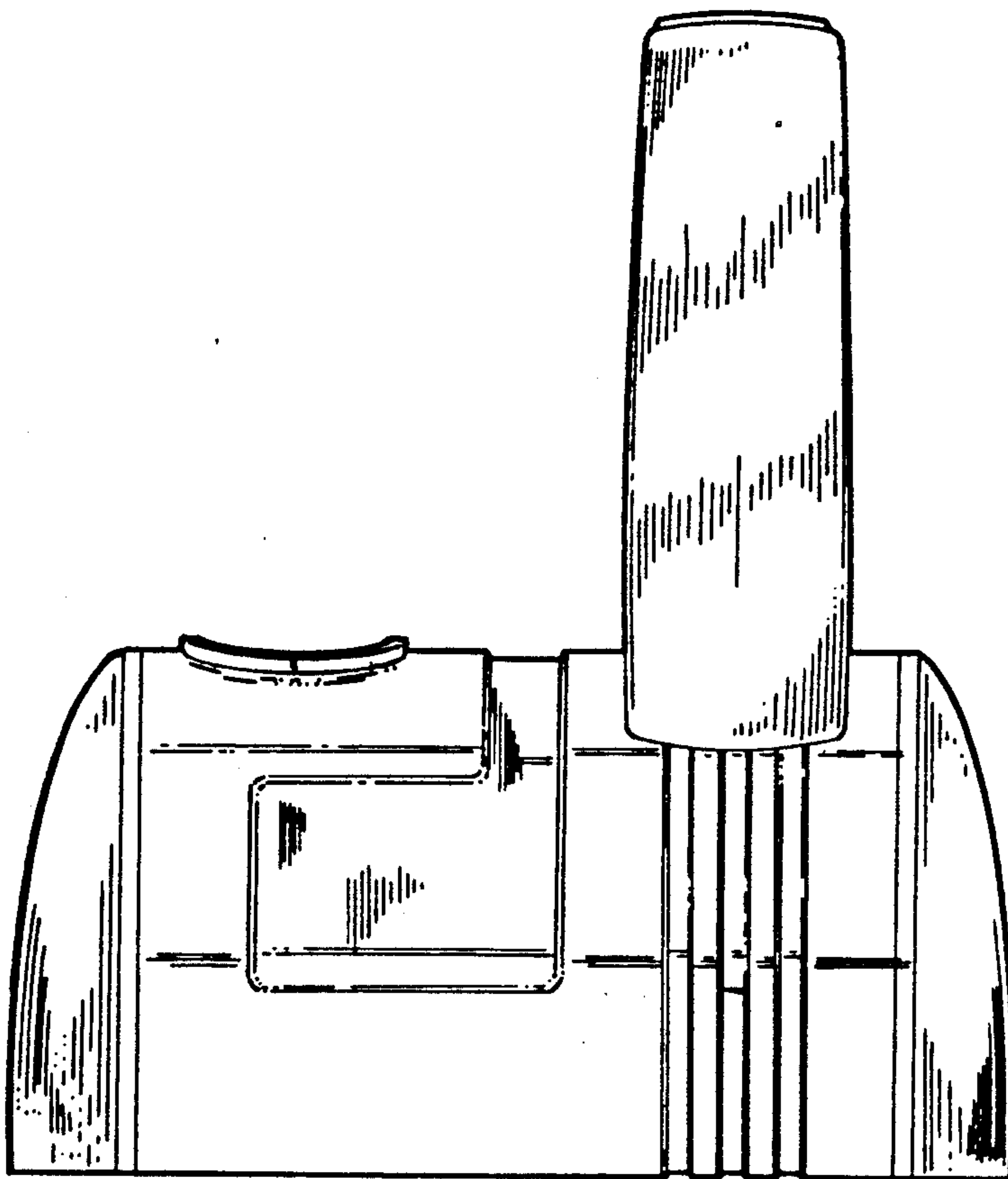


FIG-3

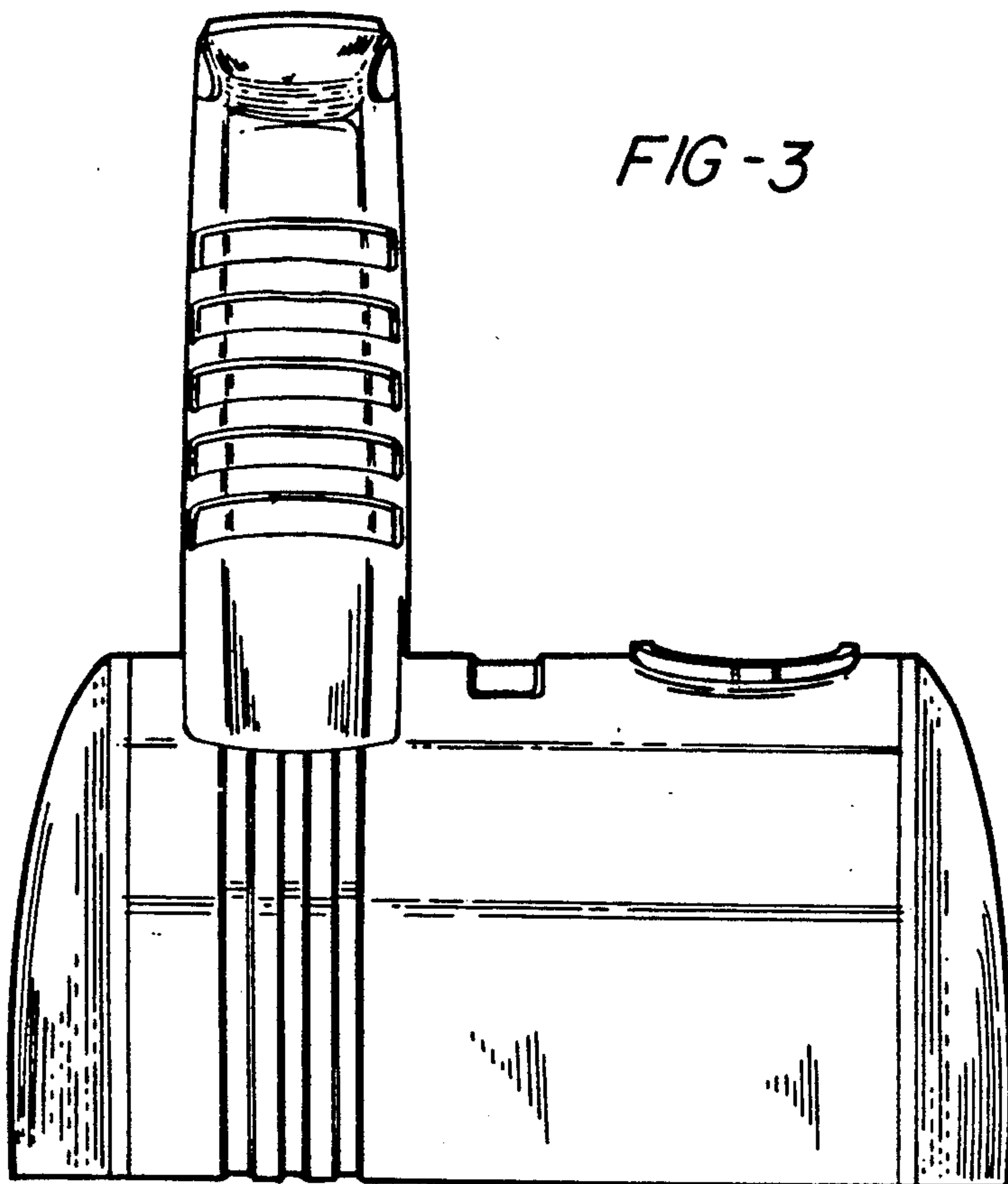


FIG-4

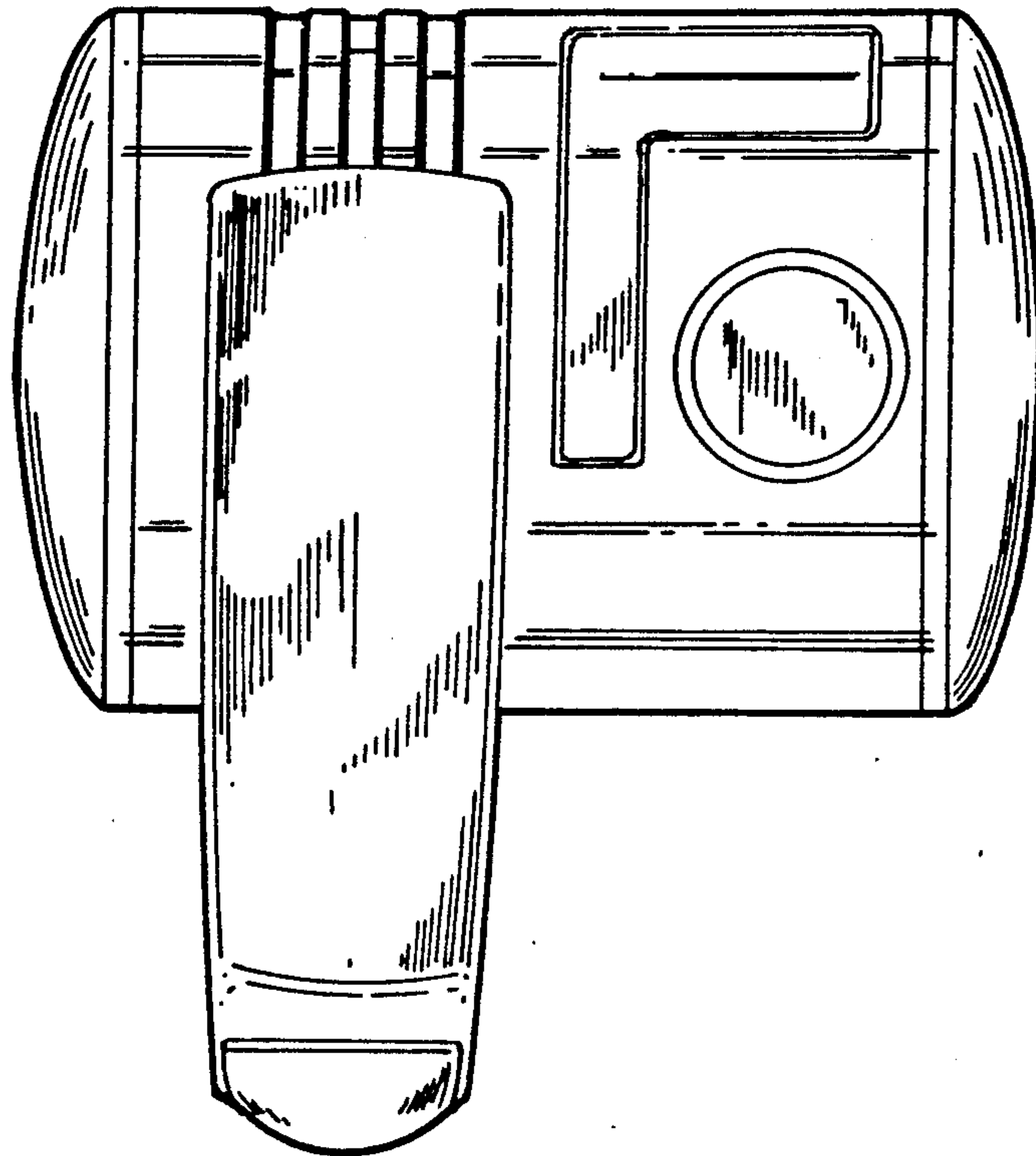


FIG-5

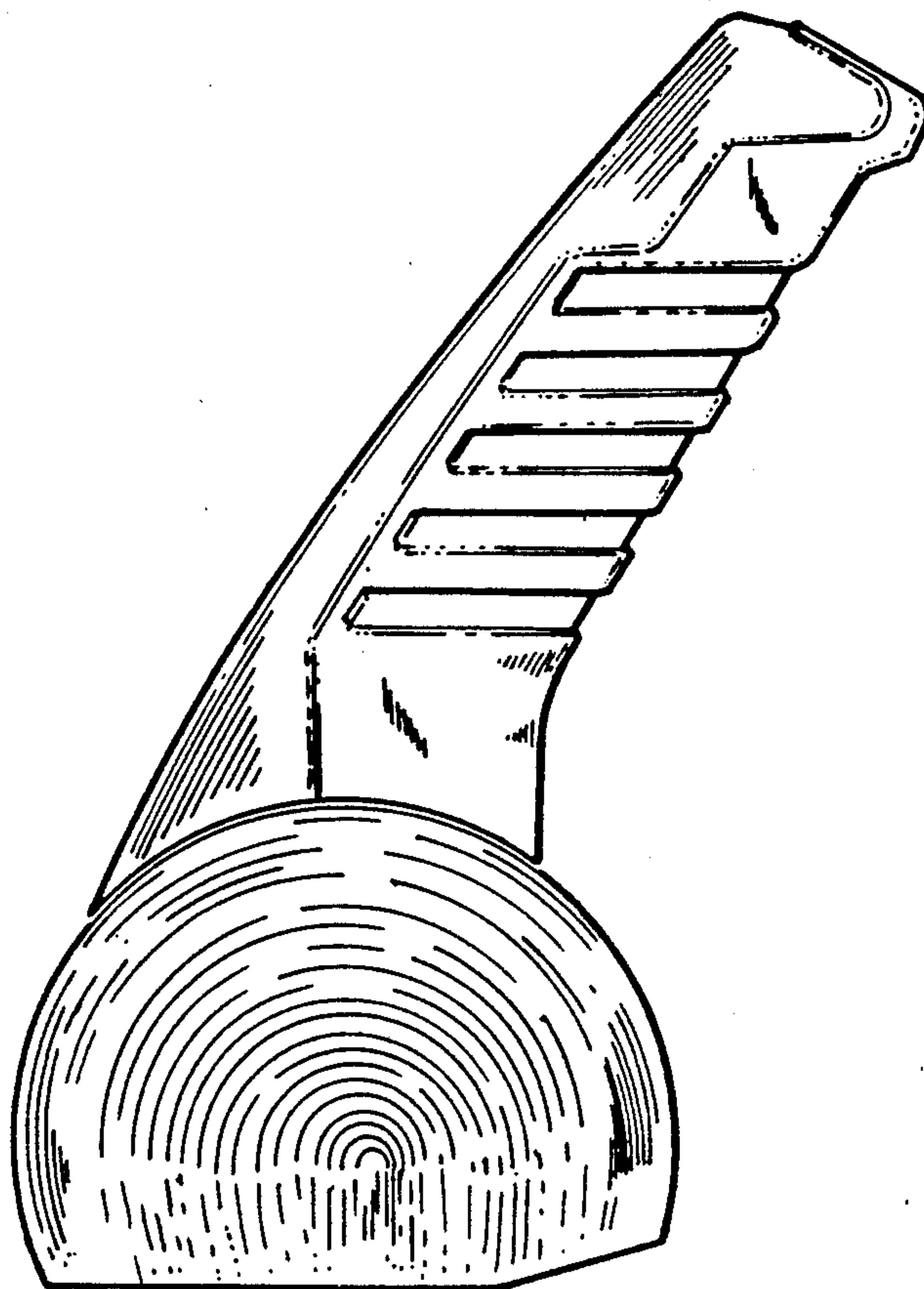


FIG-6

