

[54] **SNOWMOBILE WINDSHIELD**

[75] **Inventor: Y. Anselme Lapointe, St-Eli d'Orford, Canada**

[73] **Assignee: Bombardier Inc., Canada**

[\*\*] **Term: 14 Years**

[21] **Appl. No.: 436,680**

[22] **Filed: Nov. 15, 1989**

[30] **Foreign Application Priority Data**

Jun. 1, 1989 [CA] Canada ..... 01-06-89-1  
 [52] **U.S. Cl. .... D12/7; D12/182**  
 [58] **Field of Search ..... D12/182, 7; 296/84.1, 296/96.12, 96.21**

[56] **References Cited**

**U.S. PATENT DOCUMENTS**

D. 230,585	3/1974	Rose et al. ....	D12/7
D. 239,164	3/1976	Smith et al. ....	D12/7
D. 278,892	5/1985	Kobayashi ....	D12/7
3,637,254	1/1972	Lapointe et al. ....	296/96.21
4,082,346	4/1978	Perreault et al. ....	296/84.1
4,632,448	12/1986	Yagasaki et al. ....	296/78.1

**FOREIGN PATENT DOCUMENTS**

0936564 11/1973 Canada ..... 296/96.21  
 0108612 8/1917 United Kingdom ..... 296/84.1

**OTHER PUBLICATIONS**

Rupp Industries, Inc., Inside front cover of Snowgoer Trade, May 1974, Nitro 1975, Snowmobile.  
 Bombardier Ski-Doo Parts Catalogue-Mar. 1988, Sec. 5.11-Windshields.

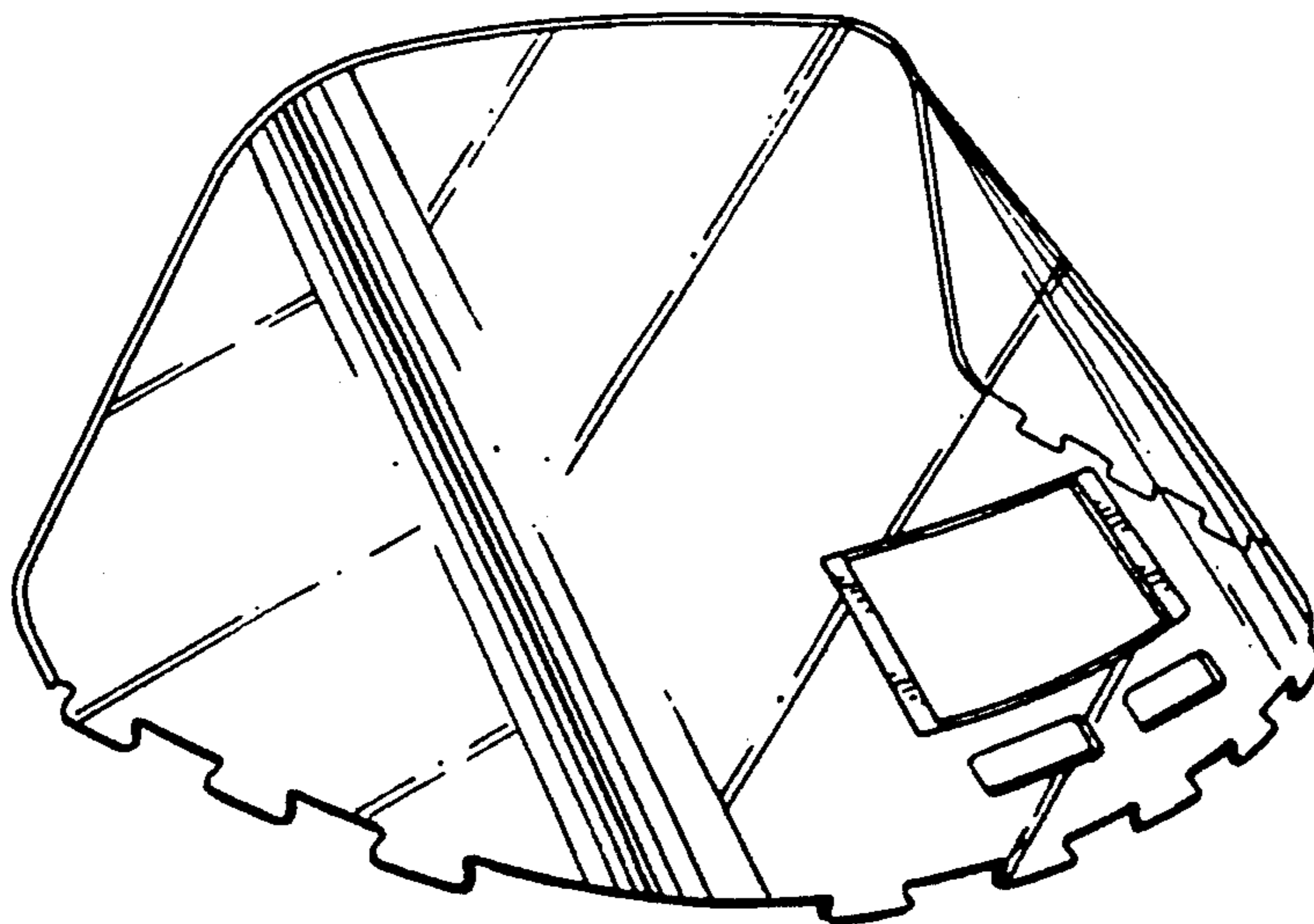
*Primary Examiner*—James M. Gandy  
*Assistant Examiner*—Melody Brown  
*Attorney, Agent, or Firm*—Larson and Taylor

[57] **CLAIM**

The ornamental design for a snowmobile windshield, as shown.

**DESCRIPTION**

FIG. 1 is a front perspective view of a snowmobile windshield embodying my design;  
 FIG. 2 is a top plan view thereof;  
 FIG. 3 is a front elevational view thereof;  
 FIG. 4 is a rear elevational view thereof;  
 FIG. 5 is a bottom plan view thereof;  
 FIG. 6 is a side elevational view thereof;  
 FIG. 7 is an opposite side elevational view thereof; and  
 FIG. 8 is a sectional view thereof taken on the line 8—8 in FIG. 3.



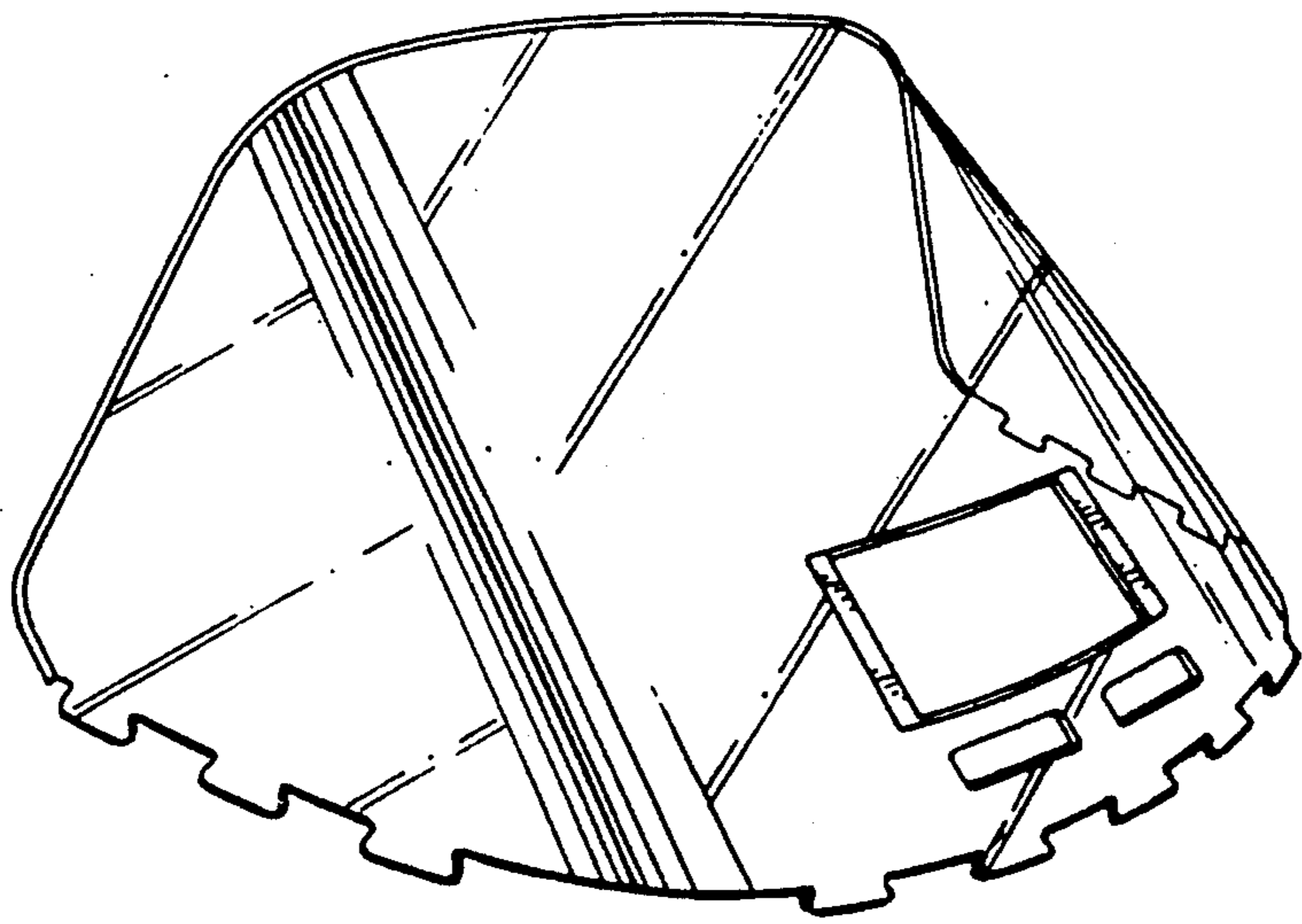


FIG. 1

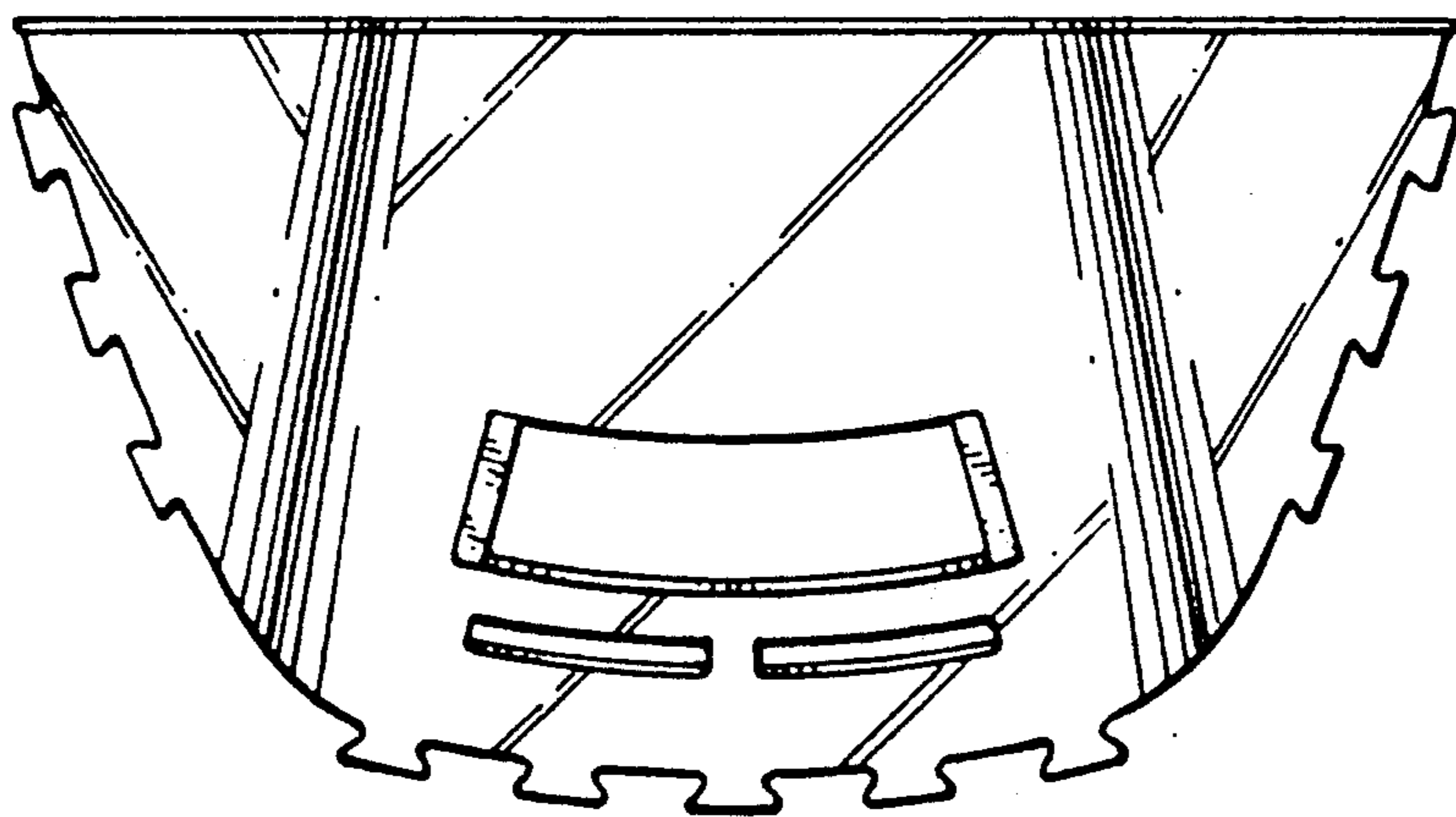


FIG. 2

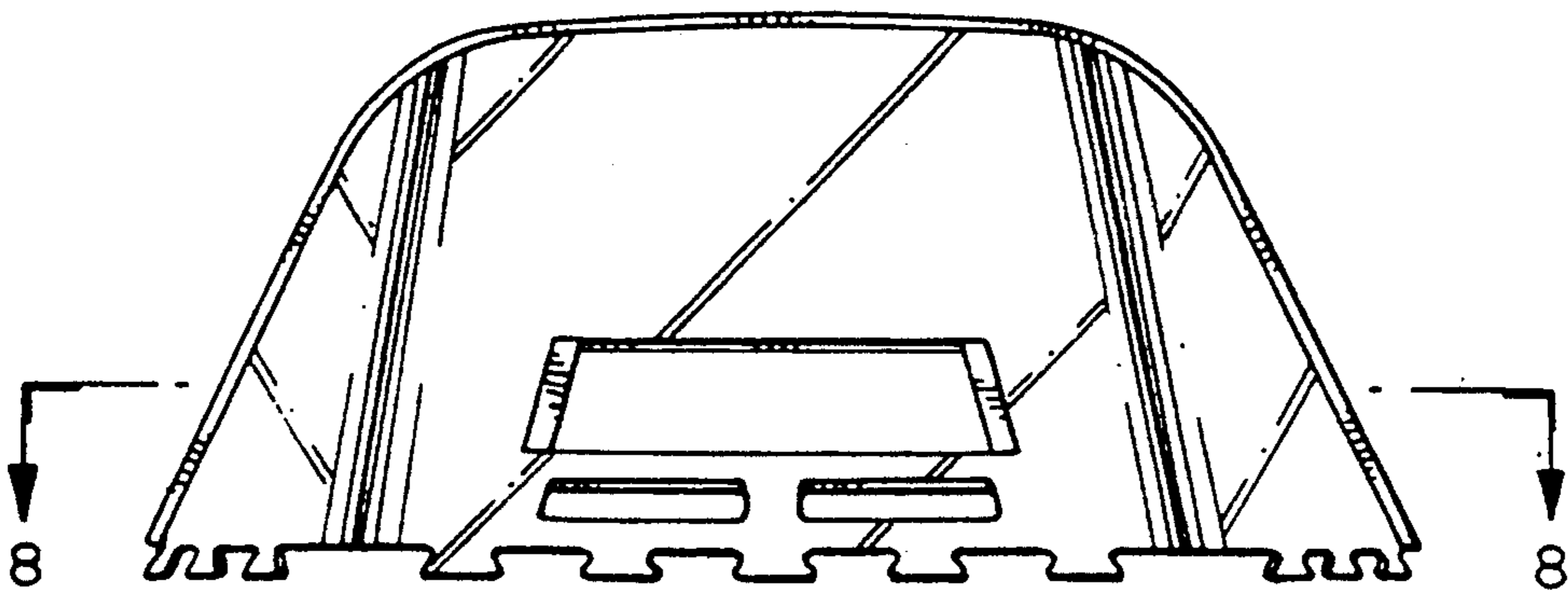


FIG. 3

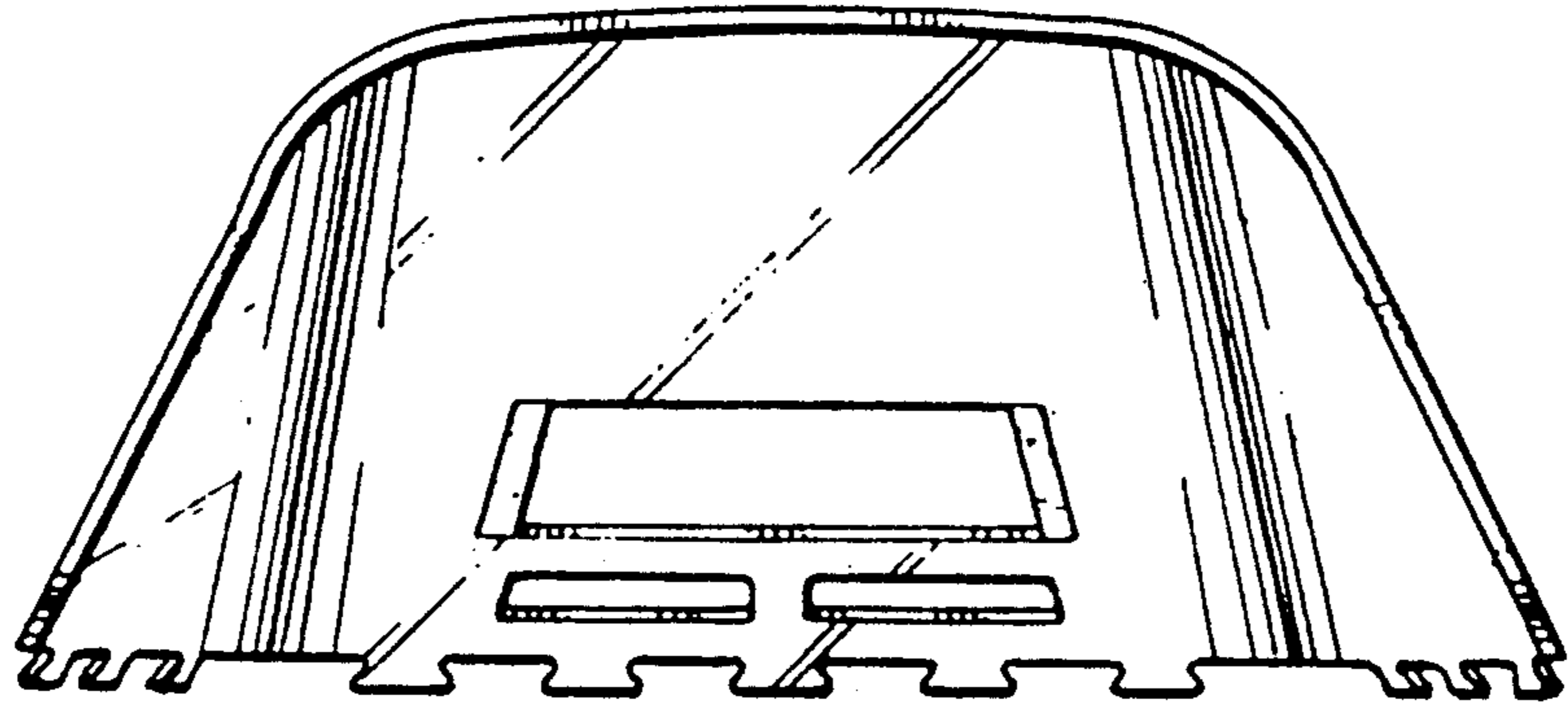


FIG. 4

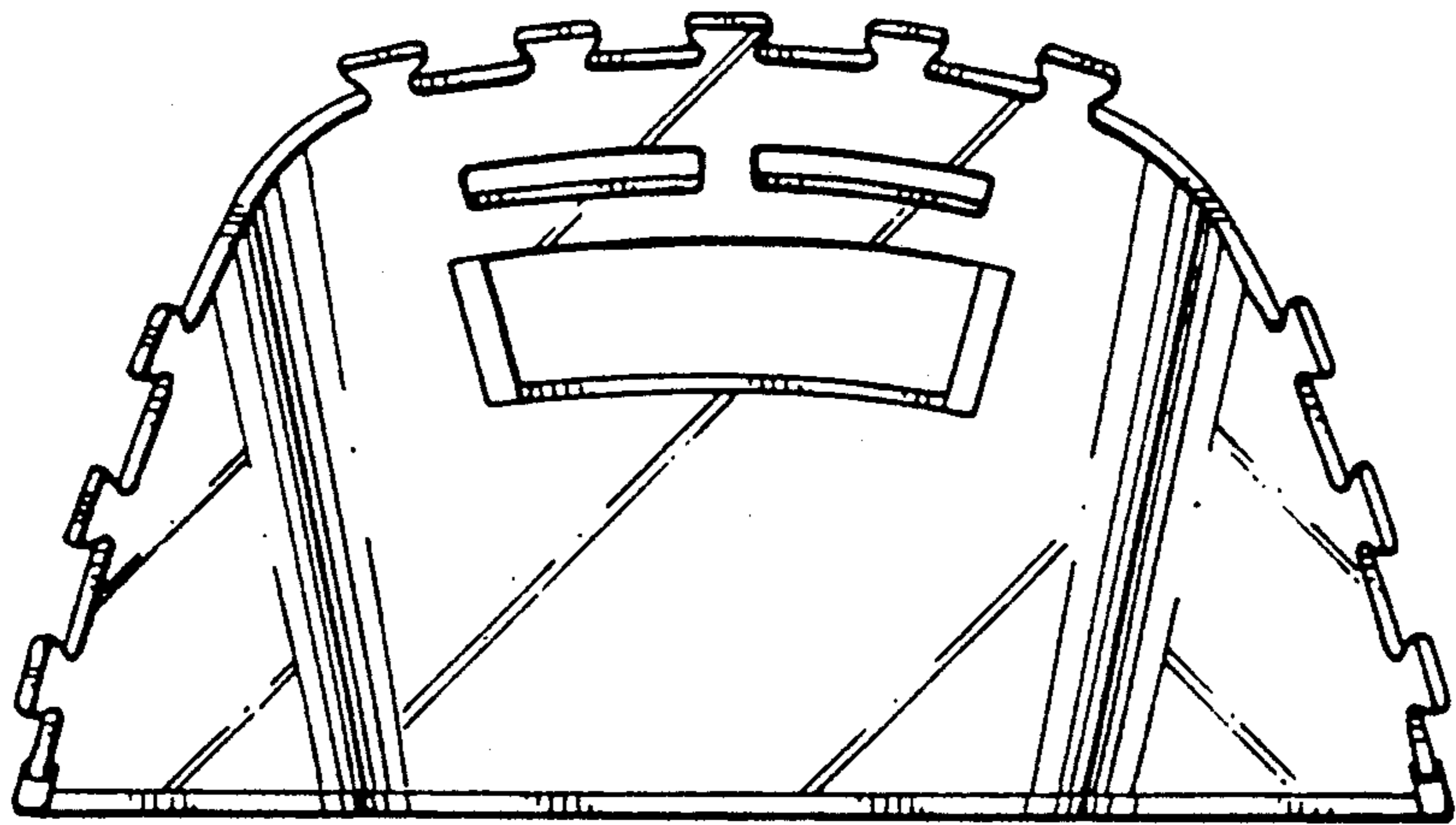


FIG. 5

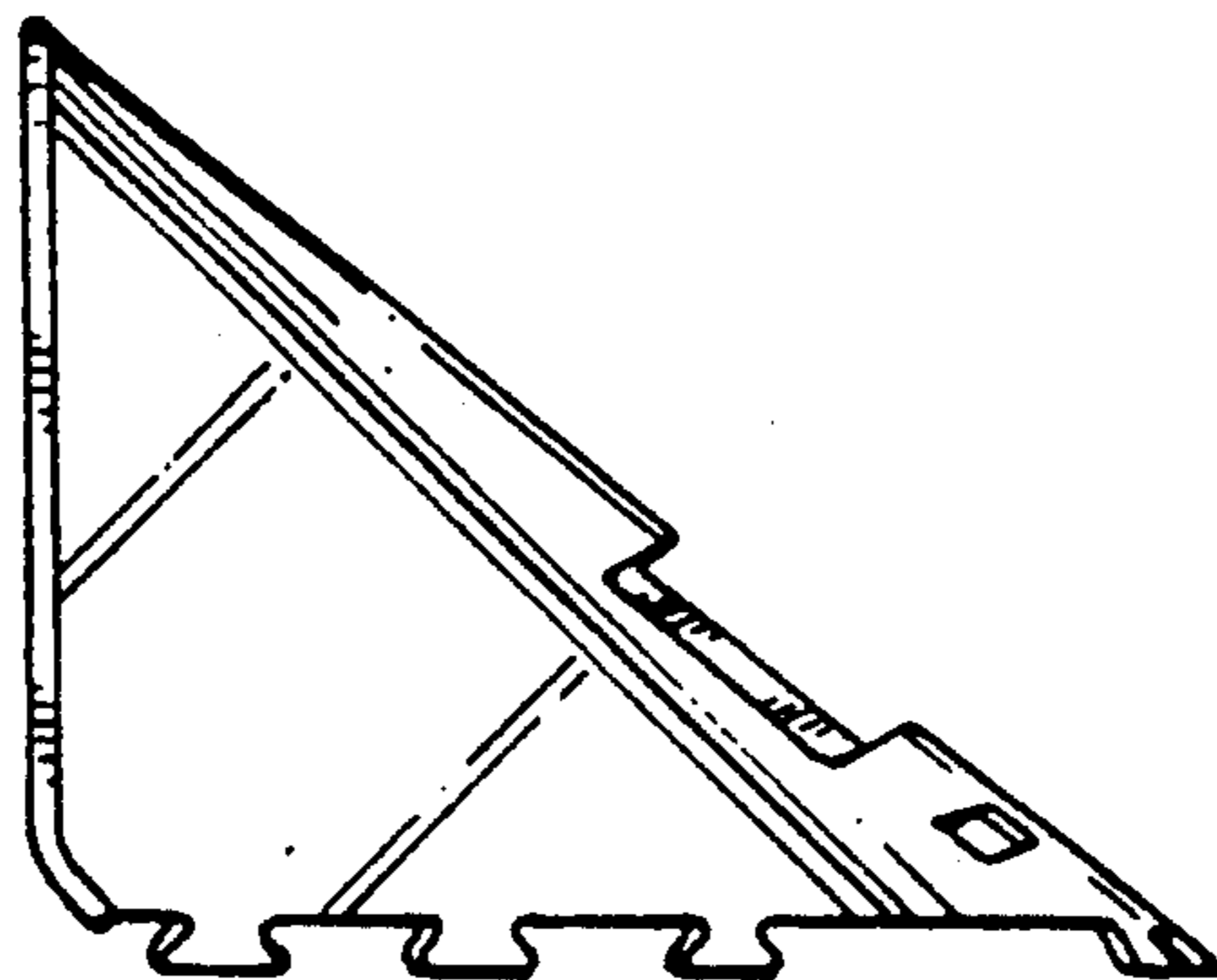


FIG. 6

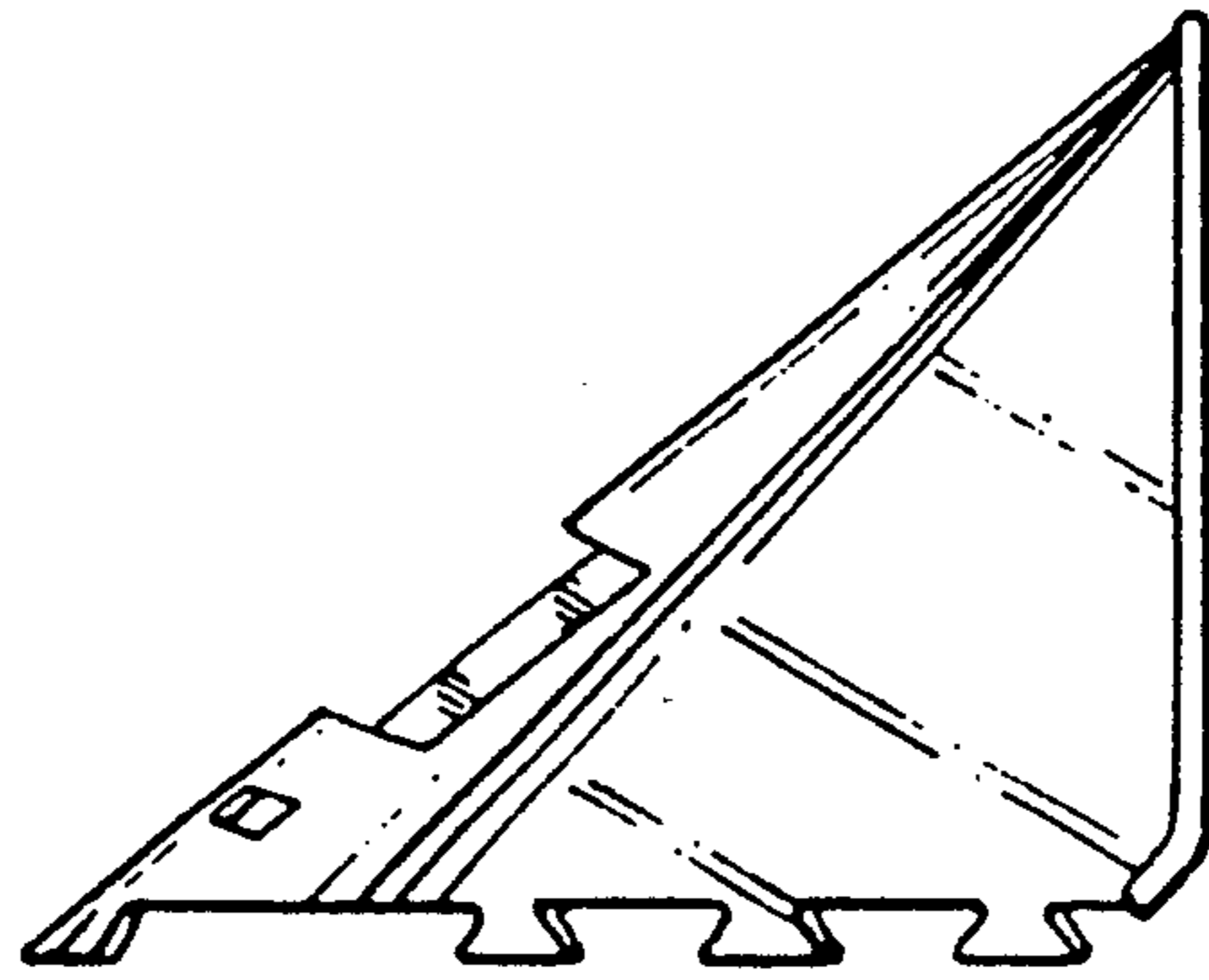


FIG. 7

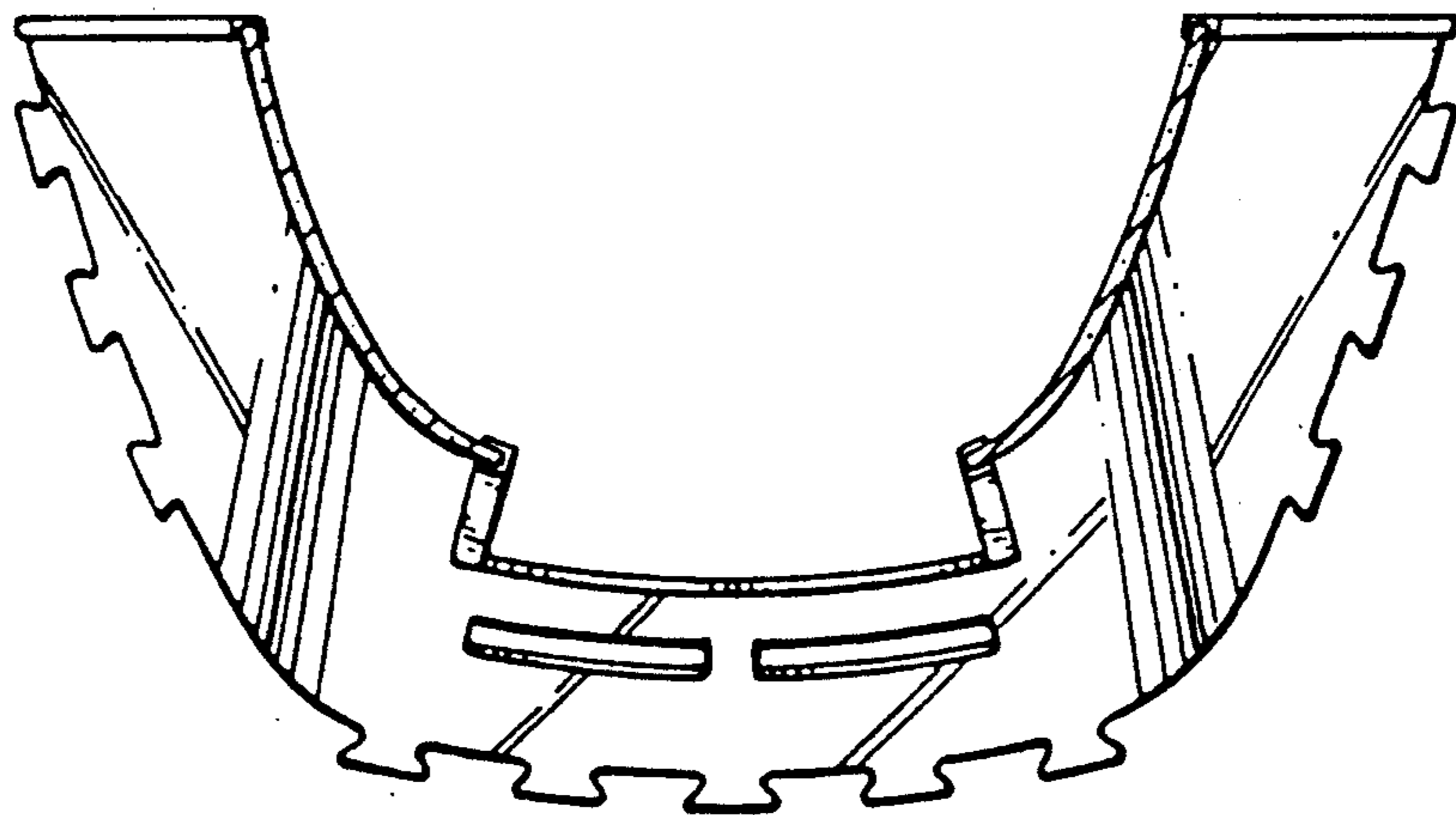


FIG. 8