

[54] REMOTE SIREN FOR AN ALARM SYSTEM

[75] Inventors: Paul Jackman; Lowell C. Schirado, both of Grand Rapids; Kenneth Roberts; Miles Conklin, both of Battle Creek, all of Mich.; Mark Salander, Barrington, R.I.; Doug Wolff, Marshall, Mich.

[73] Assignee: Amway Corporation, Ada, Mich.

[**] Term: 14 Years

[21] Appl. No.: 407,772

[22] Filed: Sep. 15, 1989

[52] U.S. Cl. D10/106; D10/120

[58] Field of Search D10/104, 105, 106, 121; 340/546, 542, 551, 593, 577, 590, 627, 693, 224, 276, 277, 283, 545

[56] References Cited

U.S. PATENT DOCUMENTS

3,641,540	2/1972	Cutler et al.	340/545
3,641,571	2/1972	Kitman	340/545
3,797,006	3/1974	Reininger	340/545

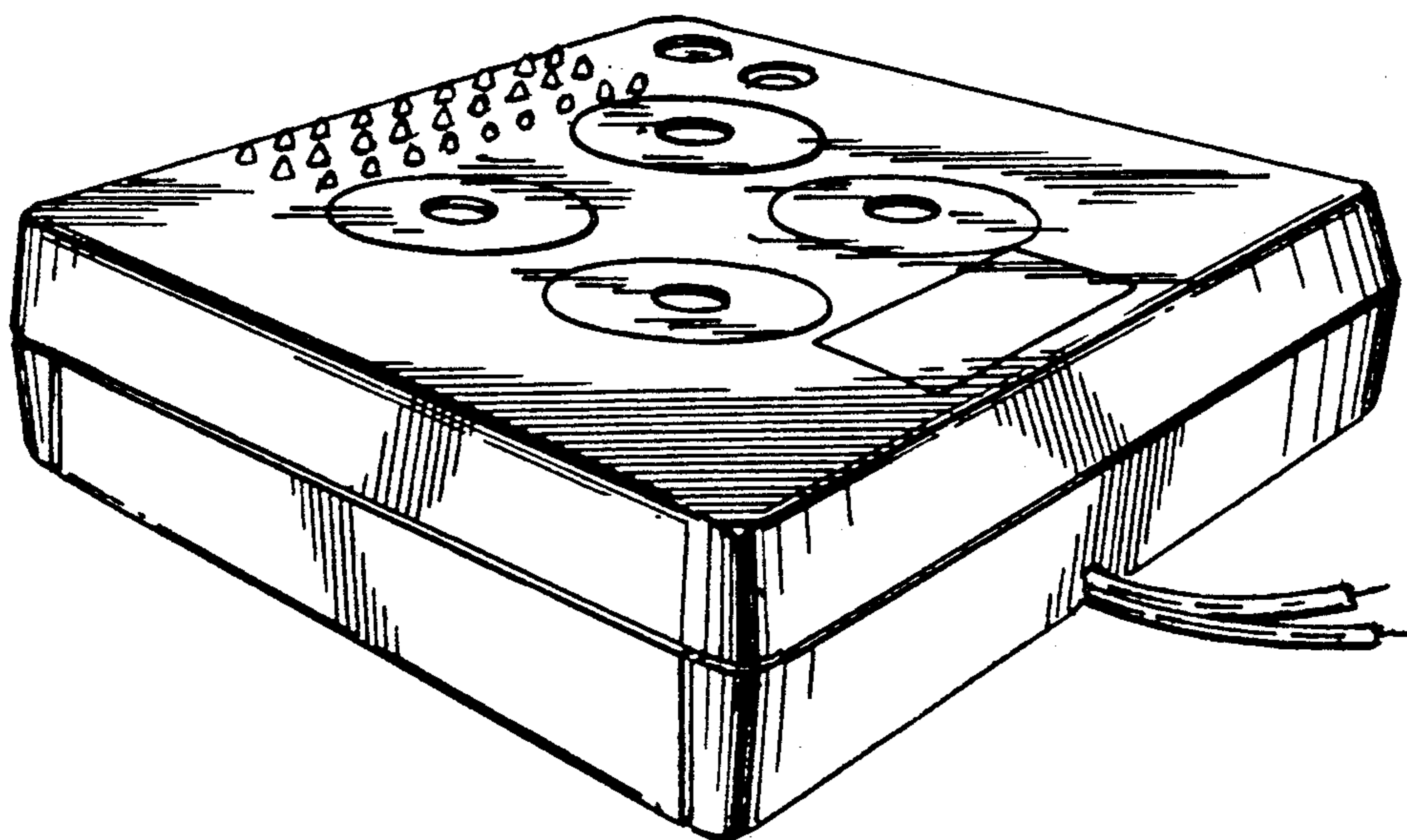
Primary Examiner—Wallace R. Burke
Assistant Examiner—Marcus Jackson
Attorney, Agent, or Firm—Michael A. Mohr

[57] CLAIM

The ornamental design for a remote siren for an alarm system, as shown and described.

DESCRIPTION

FIG. 1 is a front perspective view of a remote siren for an alarm system showing my new design, with the wire broken away to indicate indeterminate length;
FIG. 2 is a top plan view thereof;
FIG. 3 is a bottom plan view thereof;
FIG. 4 is a right side elevational view thereof, with the opposite side being a mirror image;
FIG. 5 is a front elevational view thereof;
FIG. 6 is a rear elevational view thereof.



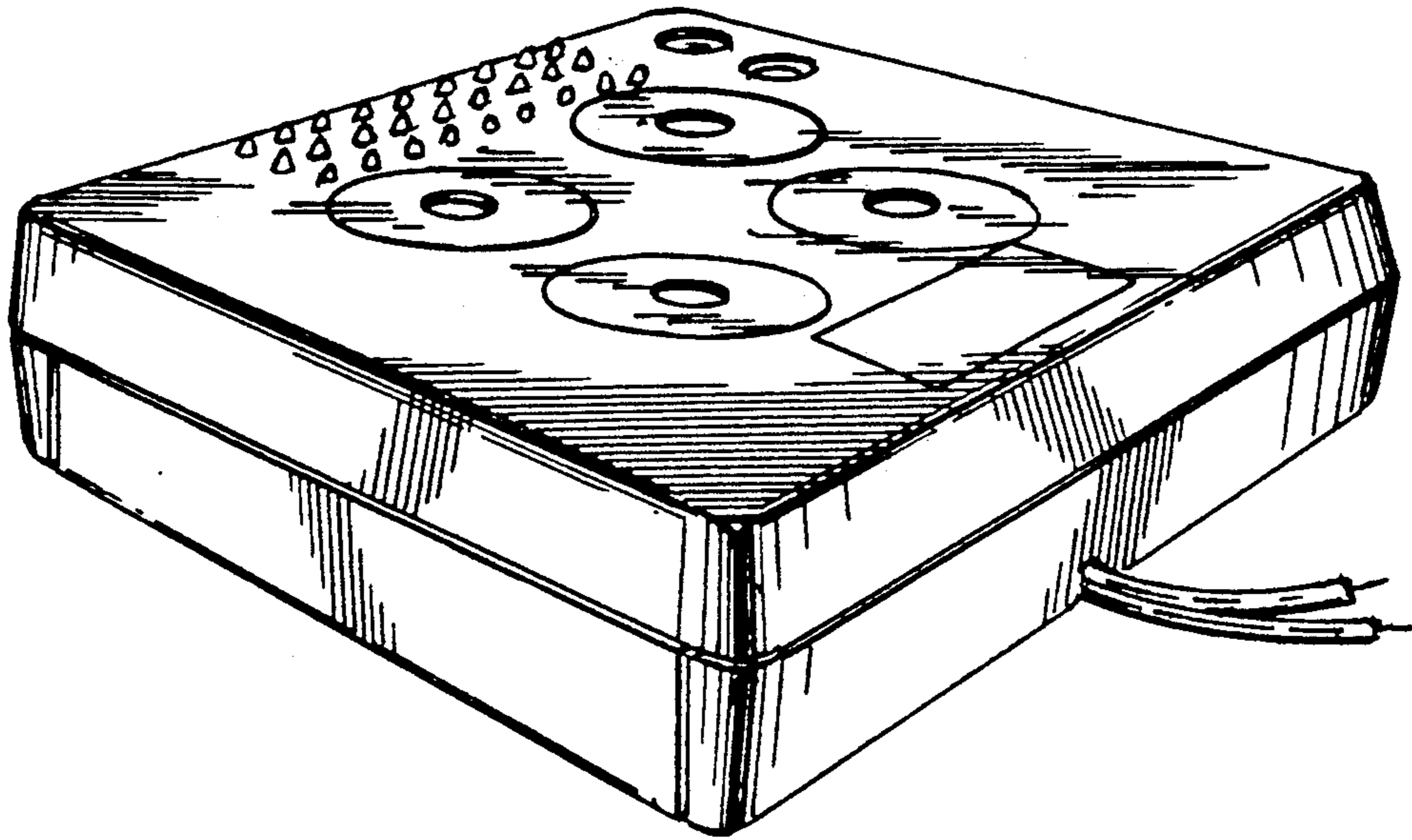


Fig. 1.

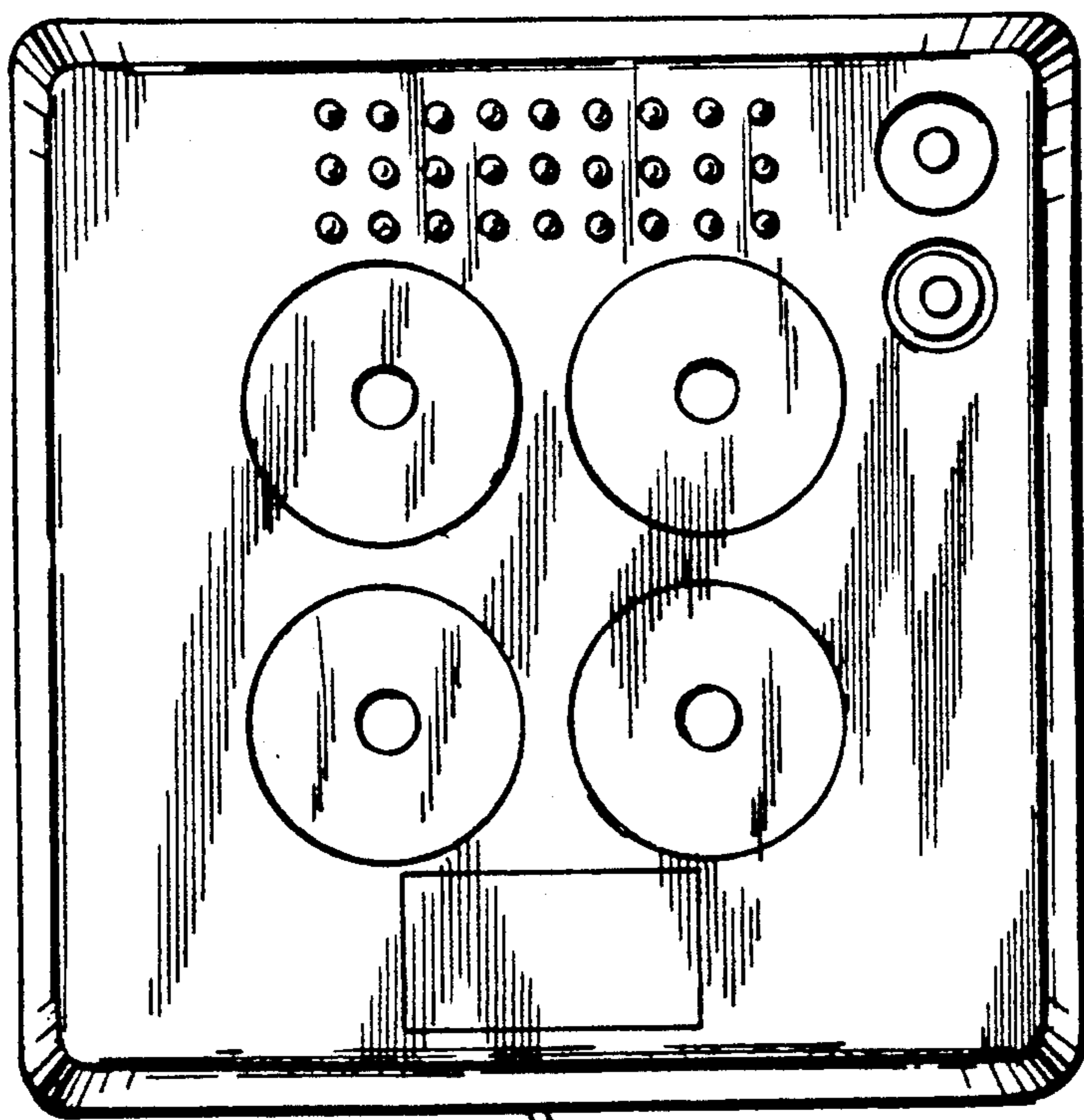


Fig. 2

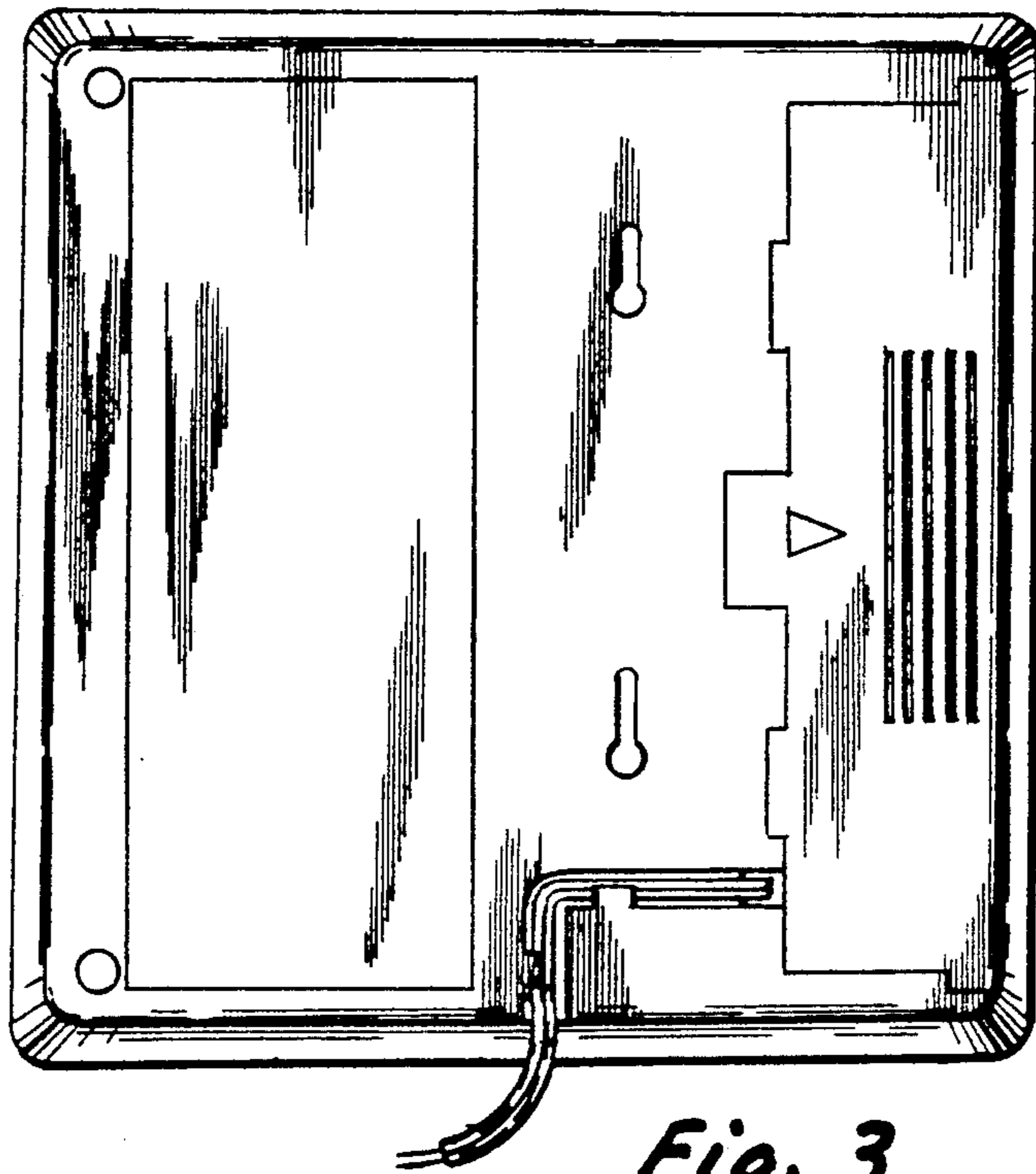


Fig. 3

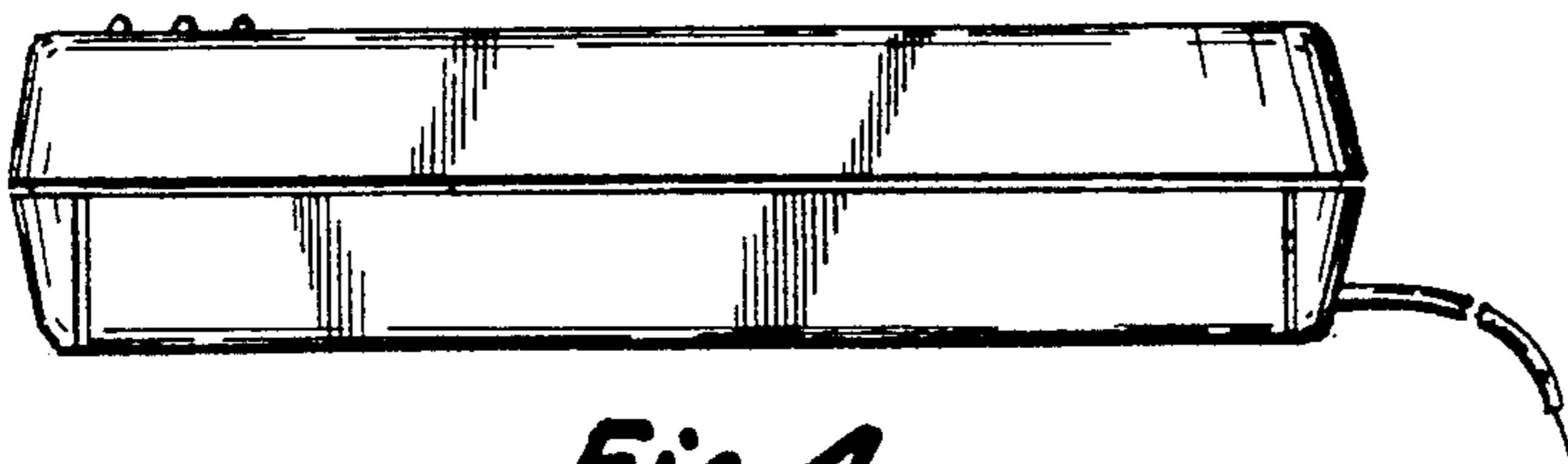


Fig. 4.

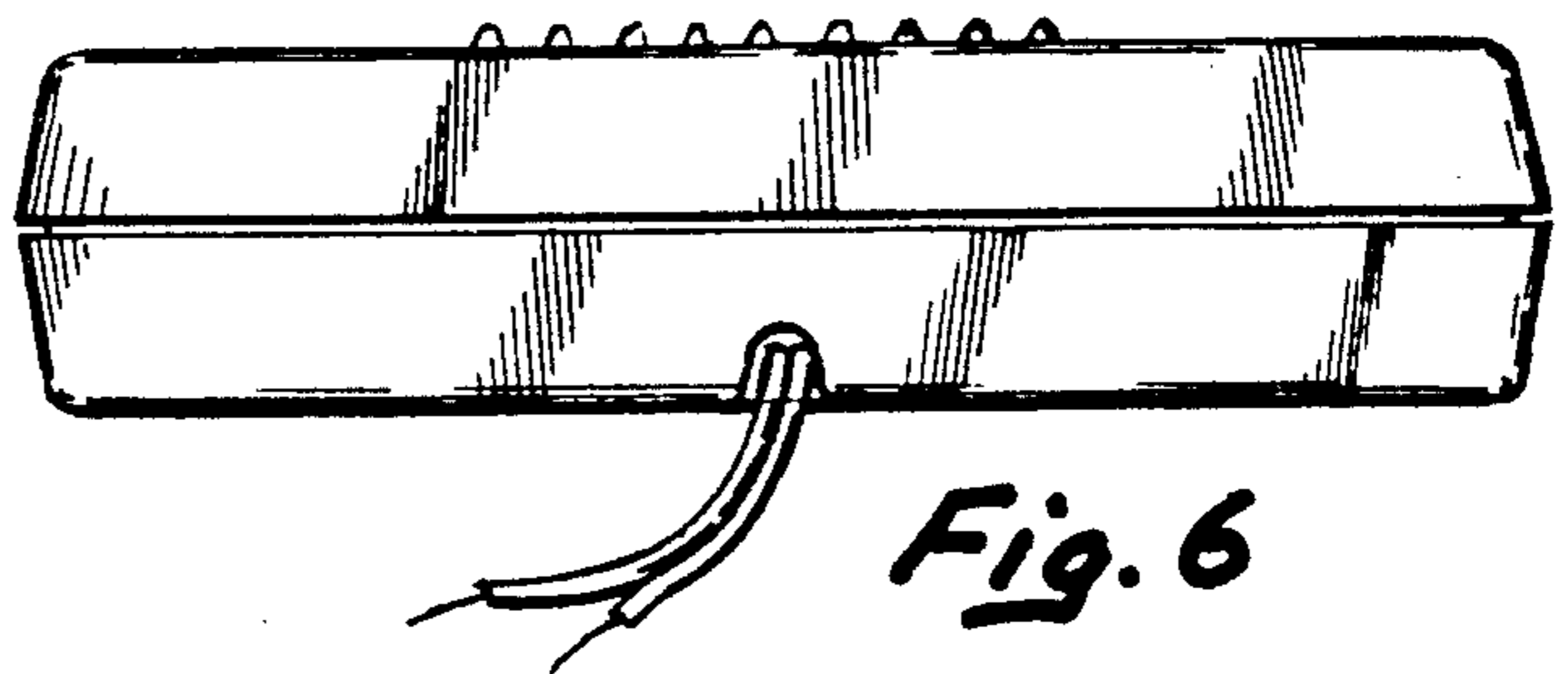


Fig. 6

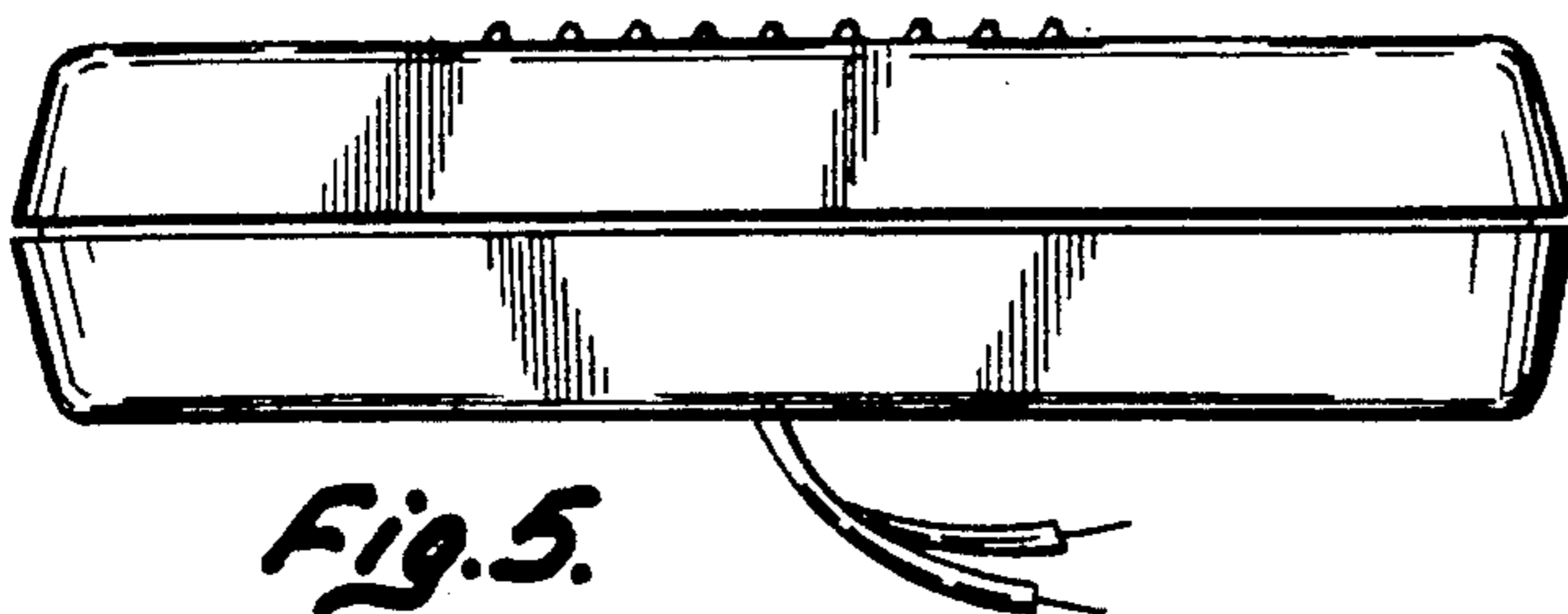


Fig. 5.