

United States Patent [19]

Bourret et al.

[11] Patent Number: **Des. 319,598**

[45] Date of Patent: **** Sep. 3, 1991**

[54] **FUEL GAUGE**

[75] Inventors: **Michel Bourret, Drummondville;
Bernard Guy, Sherbrooke, both of
Canada**

[73] Assignee: **Bombardier Inc., Canada**

[**] Term: **14 Years**

[21] Appl. No.: **369,906**

[22] Filed: **Jun. 22, 1989**

[30] **Foreign Application Priority Data**
Feb. 13, 1989 [CA] Canada 13-02-89-1

[52] U.S. Cl. **D10/101**

[58] Field of Search D10/61, 64, 65, 70,
D10/71, 101, 96; 73/323, 324, 325, 326, 327,
328, 329, 330, 331, 332, 334; 220/82 R, 82 A;
116/227, 276; D3/10, 12

[56] **References Cited**

U.S. PATENT DOCUMENTS

D. 190,299 5/1961 Krueger D10/101
D. 208,006 6/1967 McDaniel D10/101 X
371,996 10/1887 Trubel 73/334
801,957 10/1905 Zehrbach 73/334
1,614,849 1/1927 Norton et al. D10/101 X
2,533,490 12/1950 McGrath et al. 73/325 X
2,718,147 6/1953 Wilson .
2,847,856 10/1955 Mahon .

3,455,163 7/1969 Lukas et al. 73/328 X
3,540,276 9/1968 Lyden .
3,886,796 3/1975 Gruett .
3,968,688 7/1976 Eaton et al. .
4,133,287 1/1979 Downs 116/276 X

FOREIGN PATENT DOCUMENTS

534194 9/1953 Canada .
745388 9/1964 Canada .
853468 7/1967 Canada .
954324 3/1972 Canada .
954331 6/1972 Canada .
1073241 1/1977 Canada .
6443 of 1912 United Kingdom 73/334
1165500 10/1969 United Kingdom 73/328

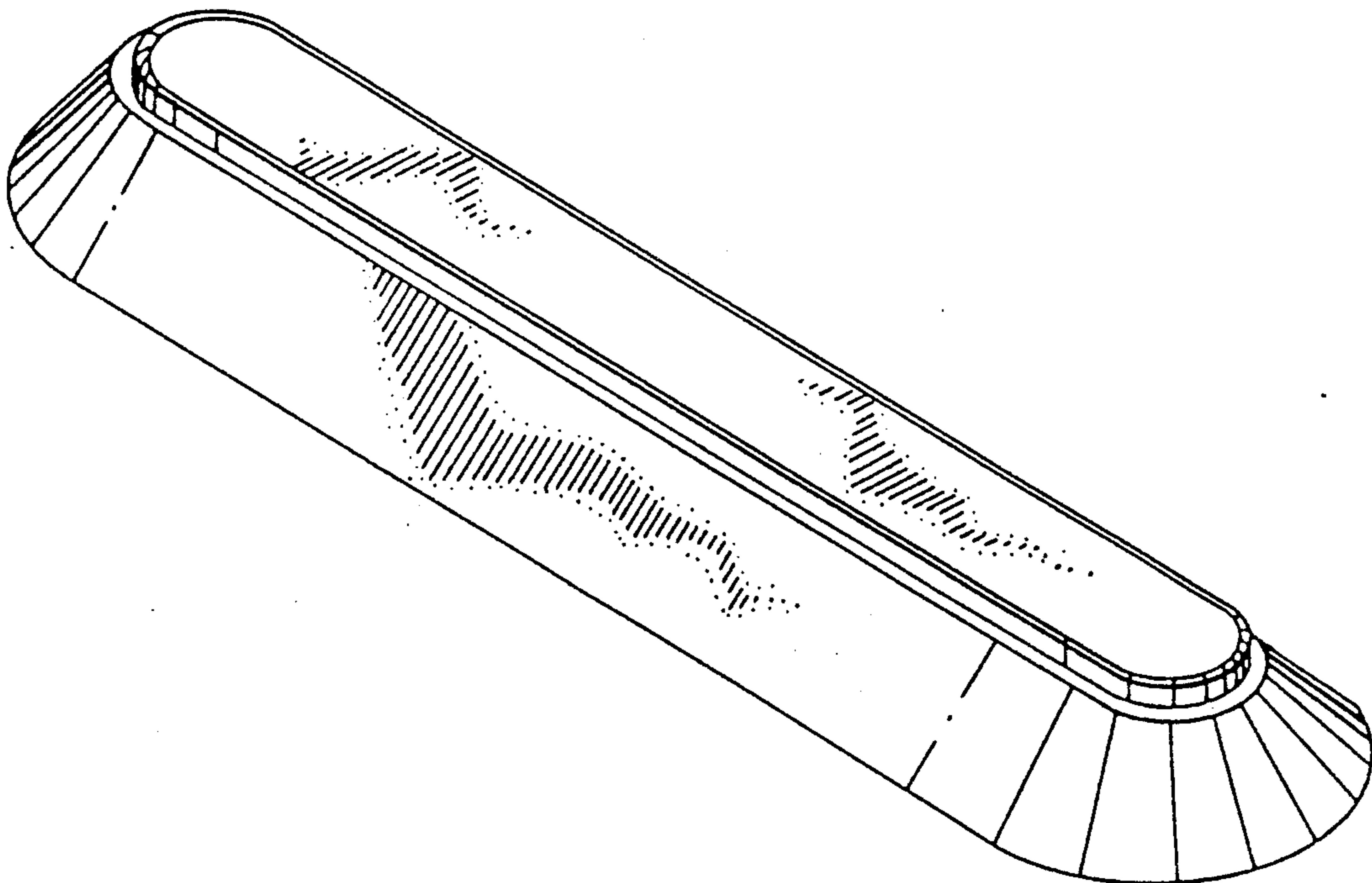
Primary Examiner—Nelson C. Holtje
Assistant Examiner—Antoine D. Davis
Attorney, Agent, or Firm—Larson and Taylor

[57] CLAIM

The ornamental design for a fuel gauge, as shown.

DESCRIPTION

FIG. 1 is a top, front and left side perspective view of a fuel gauge showing our new design;
FIG. 2 is a bottom, rear and right side perspective view;
and
FIG. 3 is a top, front and left side perspective view of another embodiment of our new design of FIGS. 1-2, the bottom being substantially similar to FIG. 2.



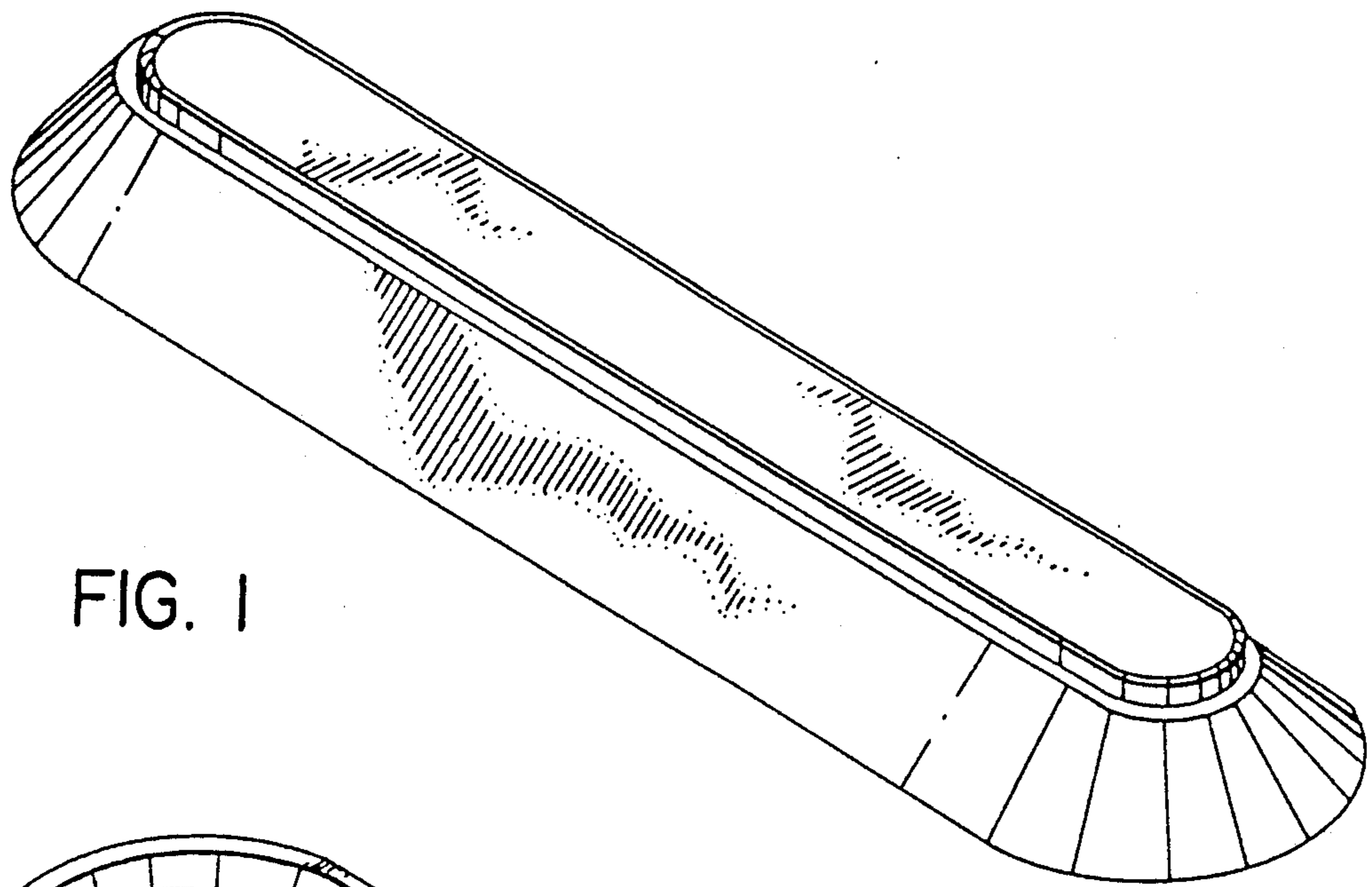


FIG. 1

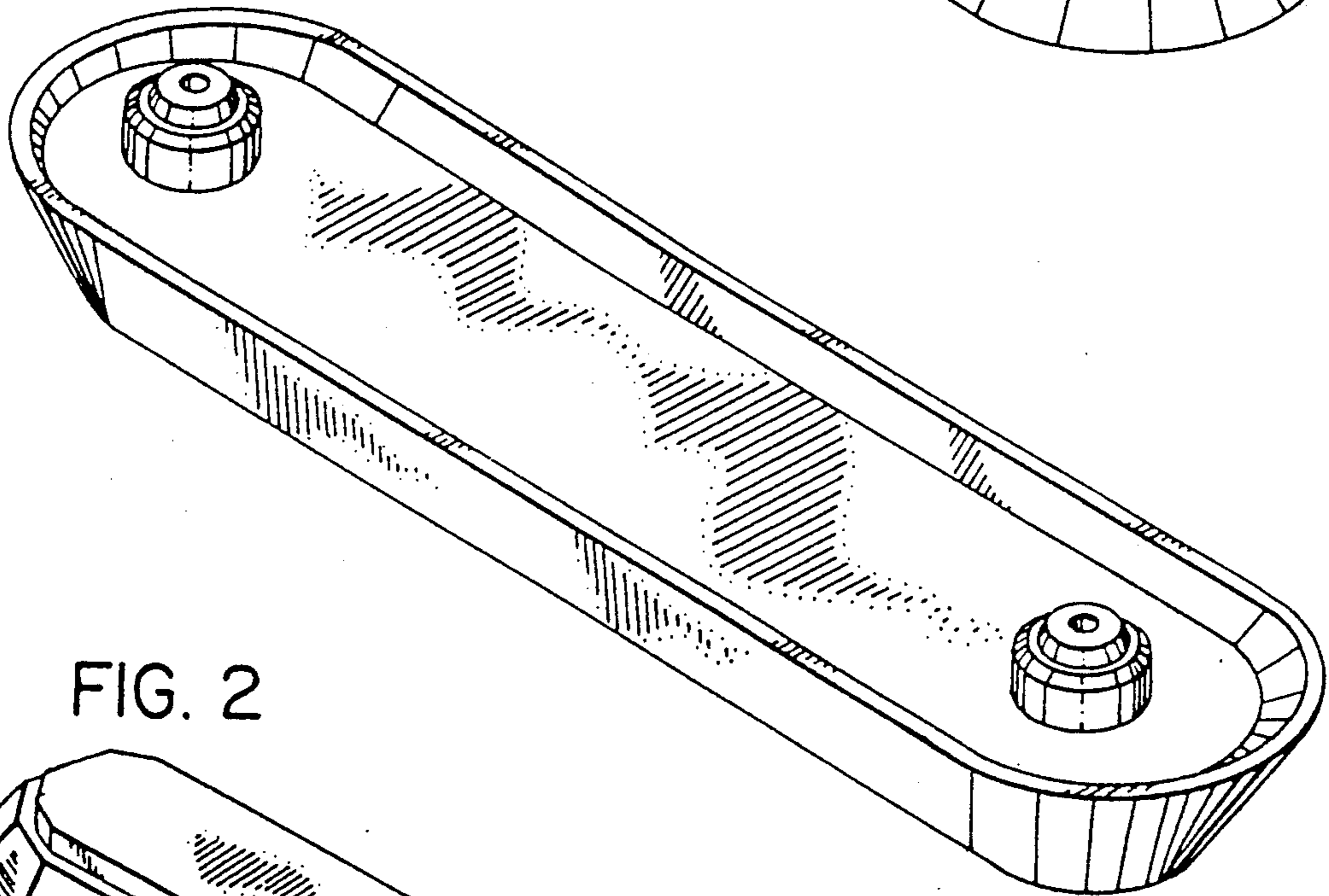


FIG. 2

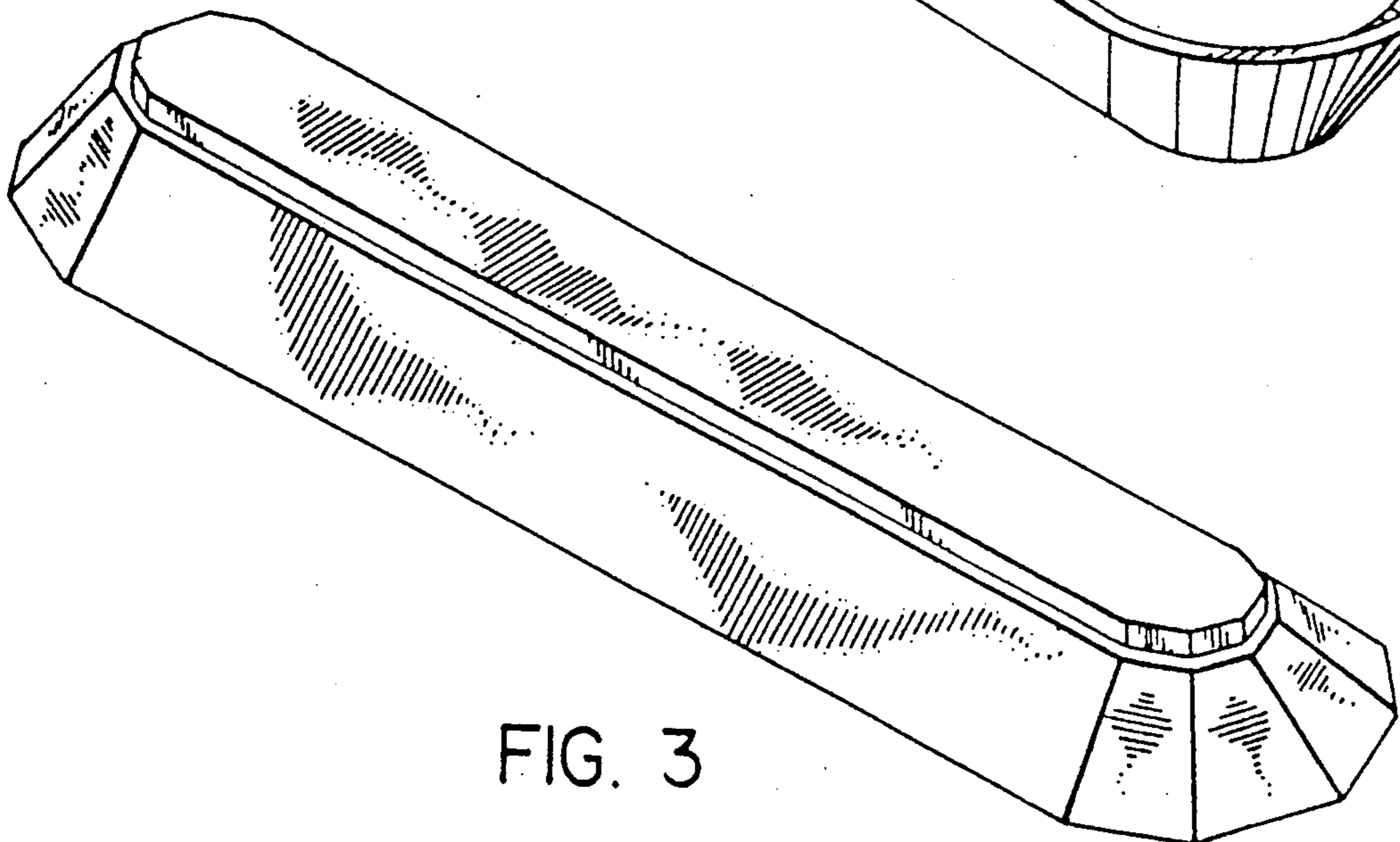


FIG. 3