

[54] COMBINED WATCH AND BAND PORTIONS THEREOF

[76] Inventor: Enrico Coveri, 19, Lungarno Guicciardini, 20122 Florence, Italy

[\*\*] Term: 14 Years

[21] Appl. No.: 116,970

[22] Filed: Nov. 5, 1987

[30] Foreign Application Priority Data

May 15, 1987 [IT] Italy ..... 11641/87[U]

[52] U.S. Cl. .... D10/32; D10/33; D10/39

[58] Field of Search ..... 10/1-39, 10/122-128; D11/3, 4, 5; 368/223, 228, 232, 238-242, 276-278, 281-282, 285, 294-296

[56] References Cited

U.S. PATENT DOCUMENTS

- D. 279,276 6/1985 Matsuo ..... D11/4
- D. 294,011 2/1988 Hanson ..... D10/32
- 4,700,874 10/1987 Mock et al. .... D10/32 X

OTHER PUBLICATIONS

*Swiss Watch and Jewelry Journal*, 4/1985, p. 654, Watch at bottom left.

*Jeweler's Circular-Keystone*, 10/1985, p. 126, Watches at center and bottom left.

Primary Examiner—Nelson C. Holtje  
Assistant Examiner—Gary D. Watson  
Attorney, Agent, or Firm—Browdy and Neimark

[57] CLAIM

The ornamental design for a combined watch and band portions thereof, as shown and described.

DESCRIPTION

FIG. 1 is a left front prospective view of a combined watch and band portions thereof showing my new design;

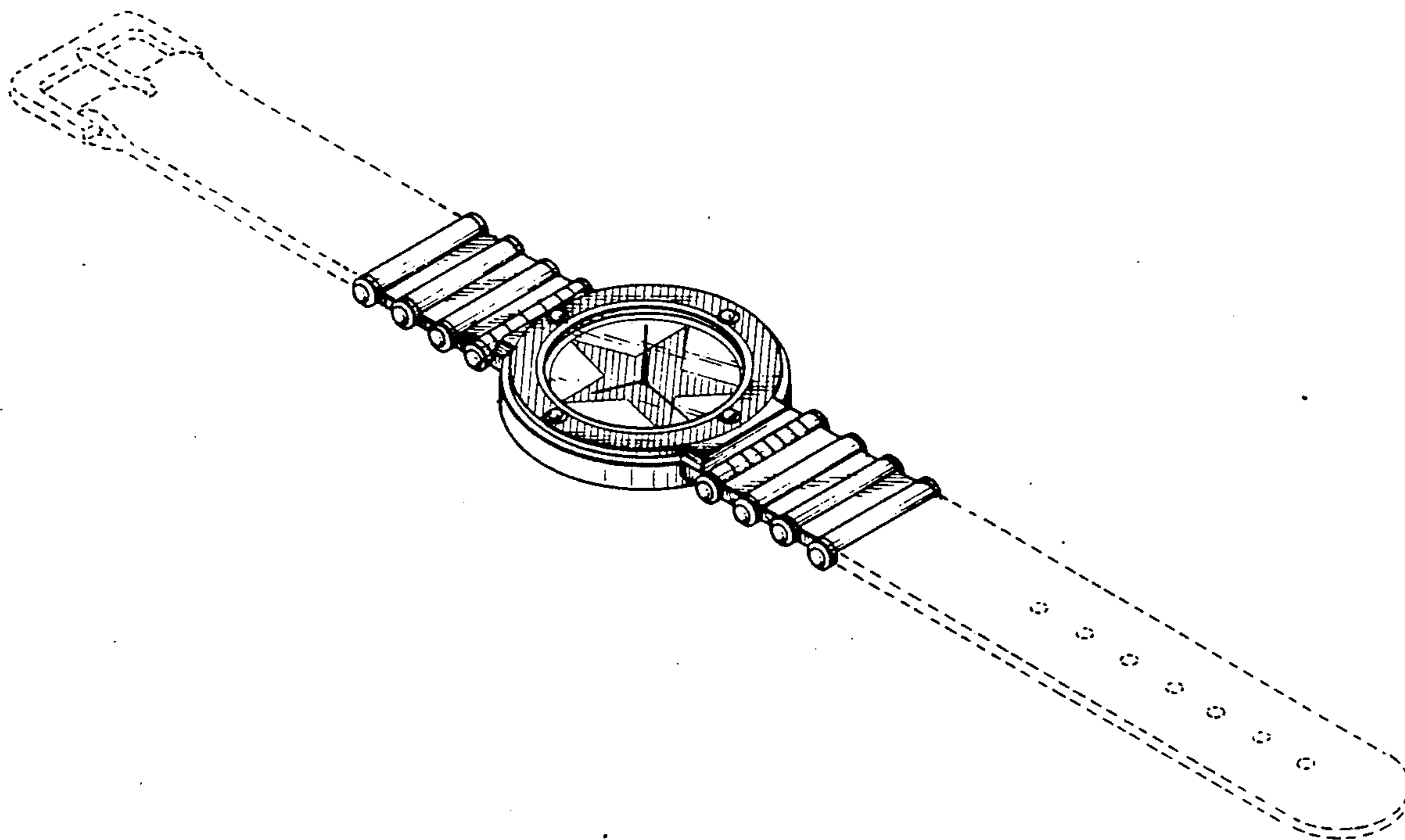
FIG. 2 is a front elevational view;

FIG. 3 is a rear elevational view;

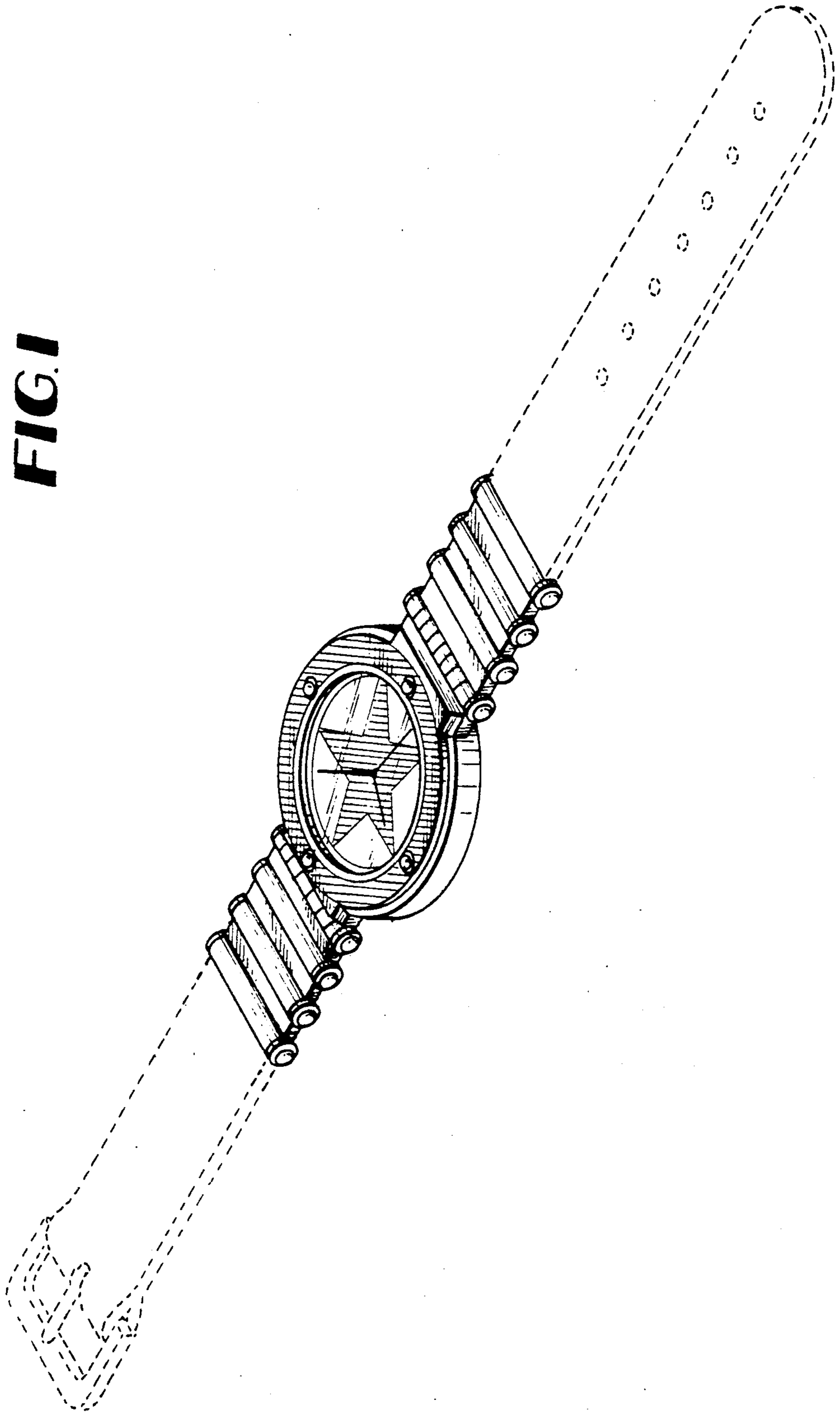
FIG. 4 is a right side elevational view; and

FIG. 5 is a left side elevational view thereof.

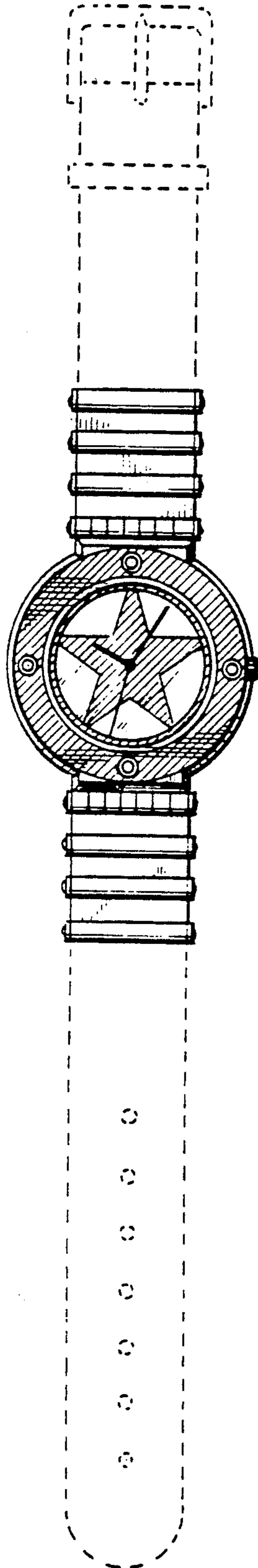
The broken line showings of the band end portions are for environmental purposes only and form no part of the claimed design.



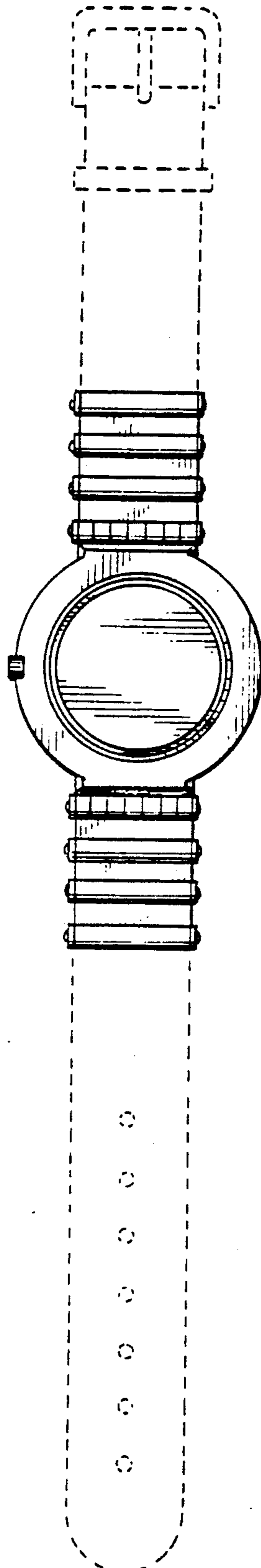
**FIG. 1**



**FIG.2**



**FIG.3**



**FIG.4**



**FIG.5**

