

[54] COMBINED WATCH WITH PAGER

[75] Inventor: John T. Houlihan, Watertown, Conn.

[73] Assignee: Motorola, Inc., Schaumburg, Ill.

[\*\*] Term: 14 Years

[21] Appl. No.: 259,003

[22] Filed: Oct. 17, 1988

[52] U.S. Cl. .... D10/31

[58] Field of Search ..... D10/30, 31, 38, 122,  
D10/123, 126; 340/311.1; 368/10, 228, 229,  
232, 239, 281

[56] References Cited

U.S. PATENT DOCUMENTS

- D. 279,081 6/1985 Suzuki et al. .... D10/38
- D. 283,014 3/1986 Suzuki et al. .... D10/38
- D. 296,675 7/1988 Jones et al. .... D10/38 X
- D. 303,768 10/1989 Wakamatsu ..... D10/30 X

- D. 312,416 11/1990 Braun ..... D10/38
- 3,975,899 8/1976 Haber ..... 368/224 X
- 4,419,770 12/1983 Yagi et al. .... 368/10 X

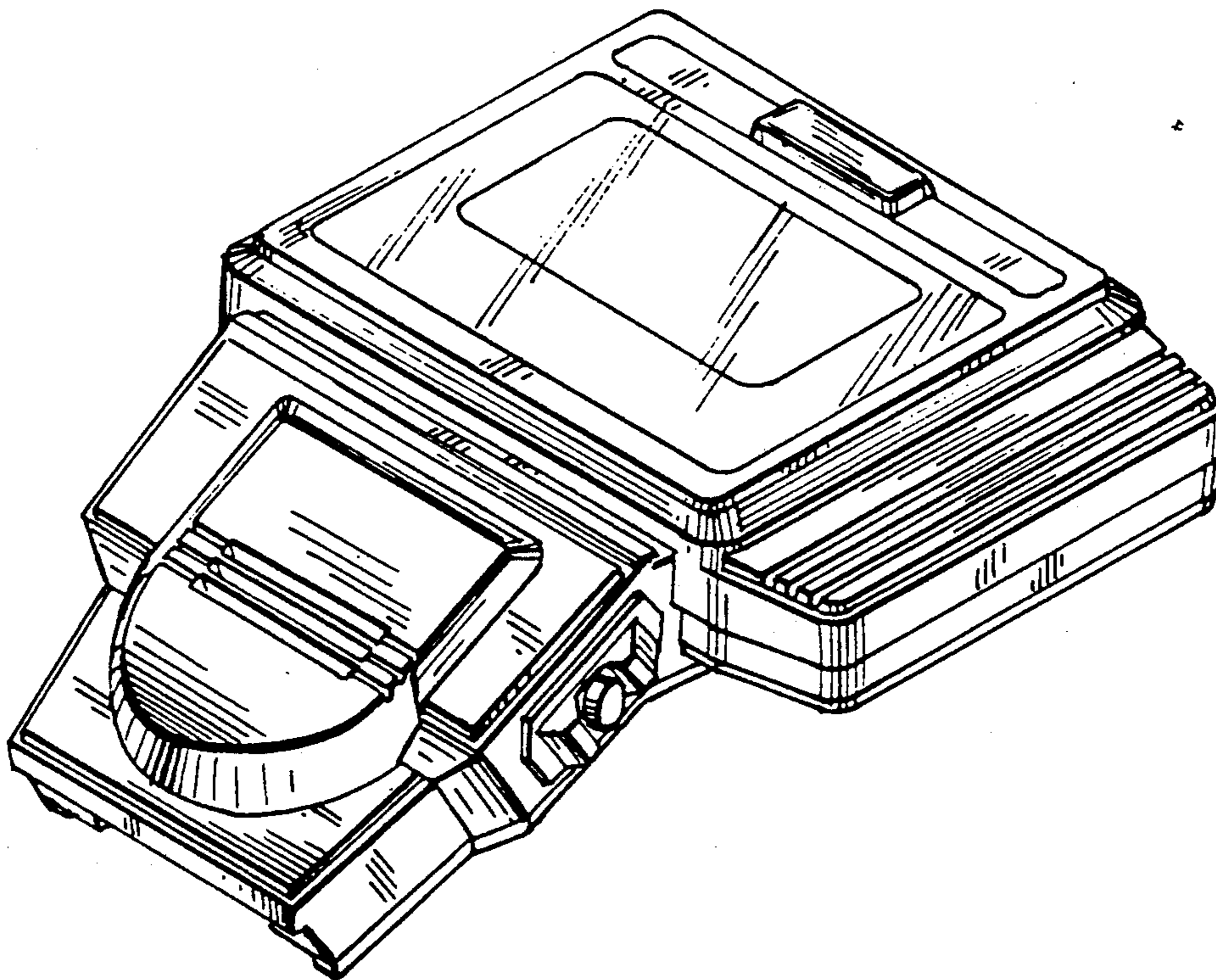
Primary Examiner—Nelson C. Holtje  
Assistant Examiner—Caron D. Veynar  
Attorney, Agent, or Firm—Vincent B. Ingrassia; William E. Koch; Anthony J. Sarli, Jr.

[57] CLAIM

The ornamental design for a combined watch with pager, as shown and described.

DESCRIPTION

FIG. 1 is a left, rear and top perspective view of a combined watch with pager showing my new design; FIG. 2 is a top plan view thereof; FIG. 3 is a front elevational view thereof; FIG. 4 is a rear elevational view thereof; FIG. 5 is a right side elevational view thereof; FIG. 6 is a left side elevational view thereof; and FIG. 7 is a bottom plan view thereof.



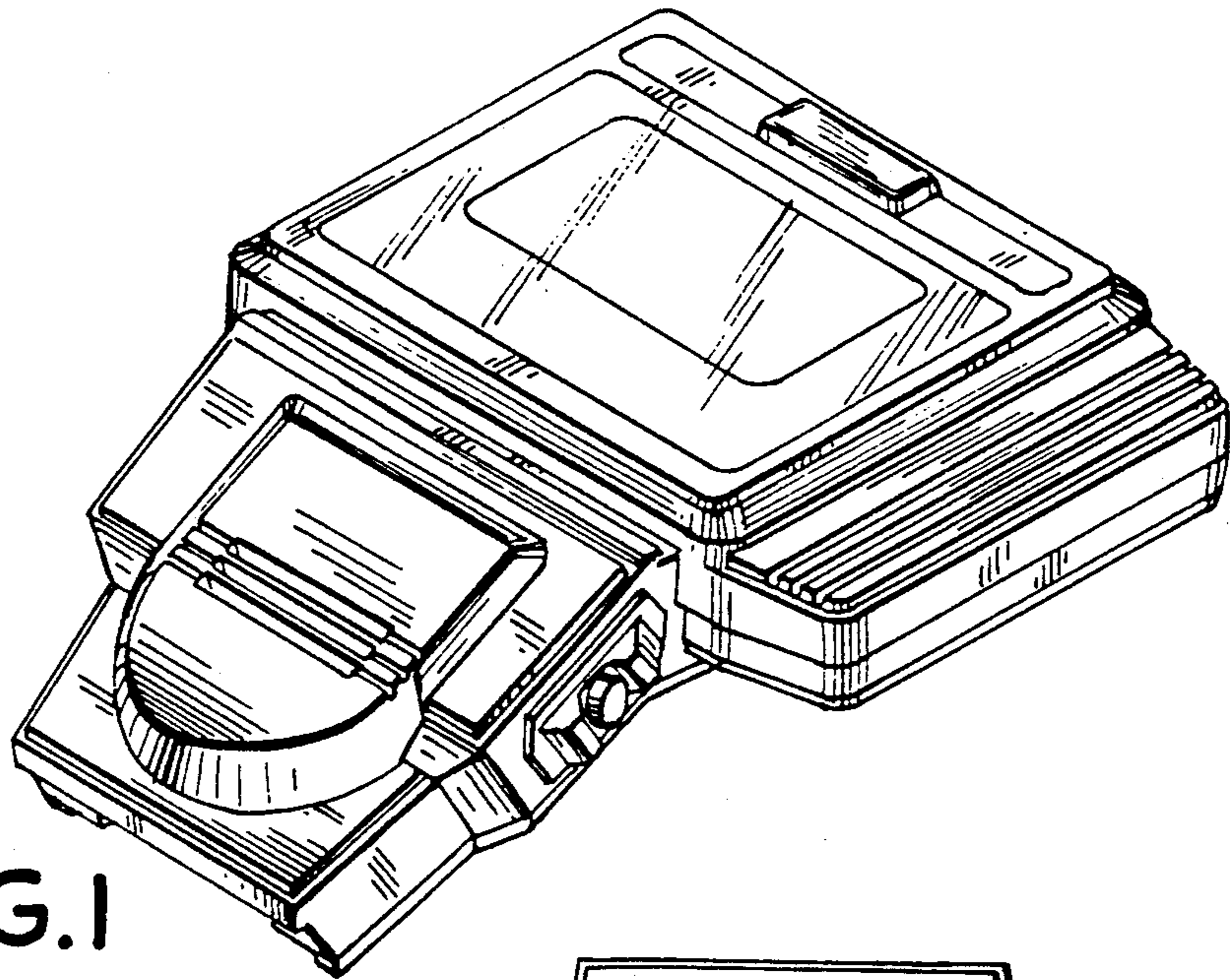


FIG. 1

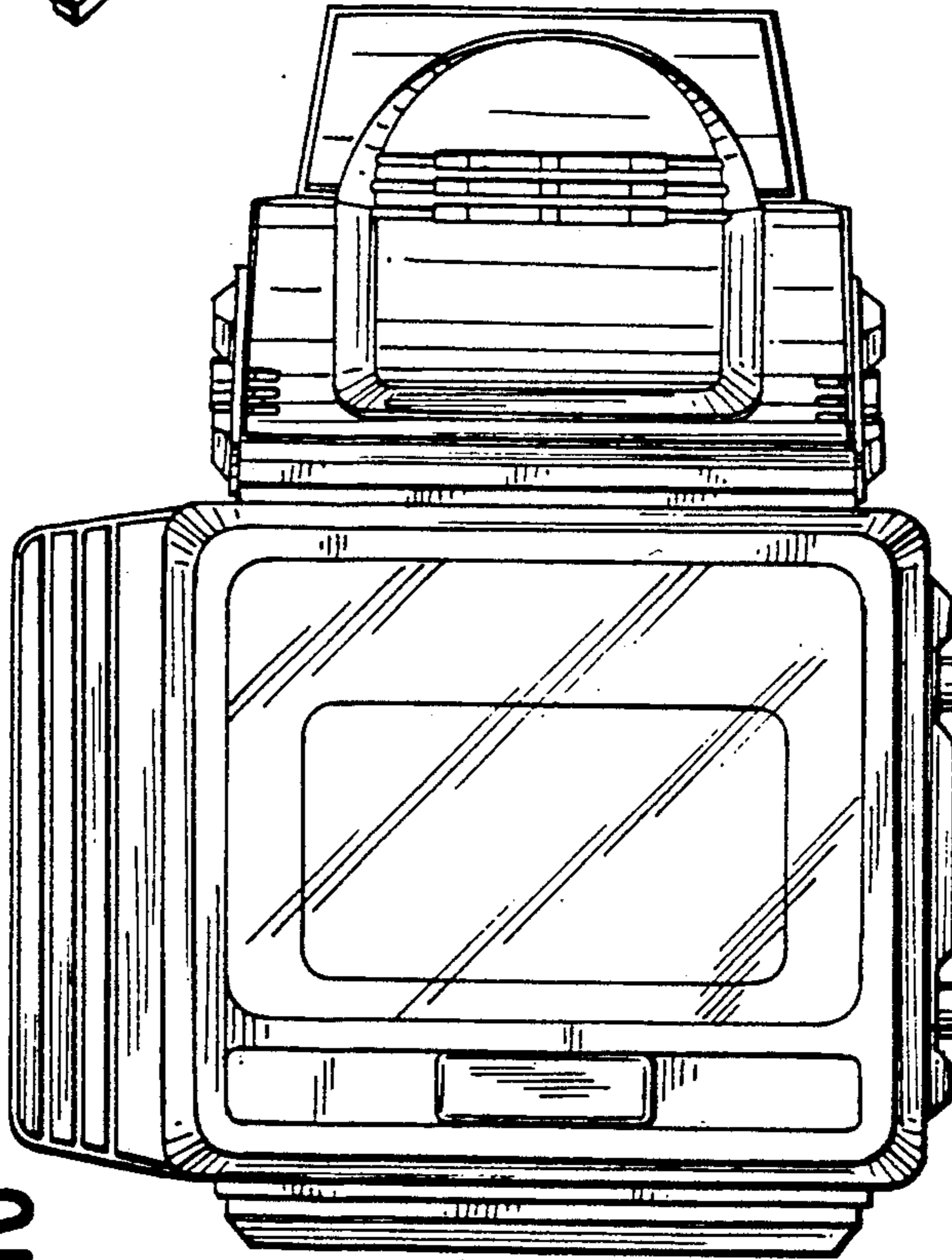


FIG. 2

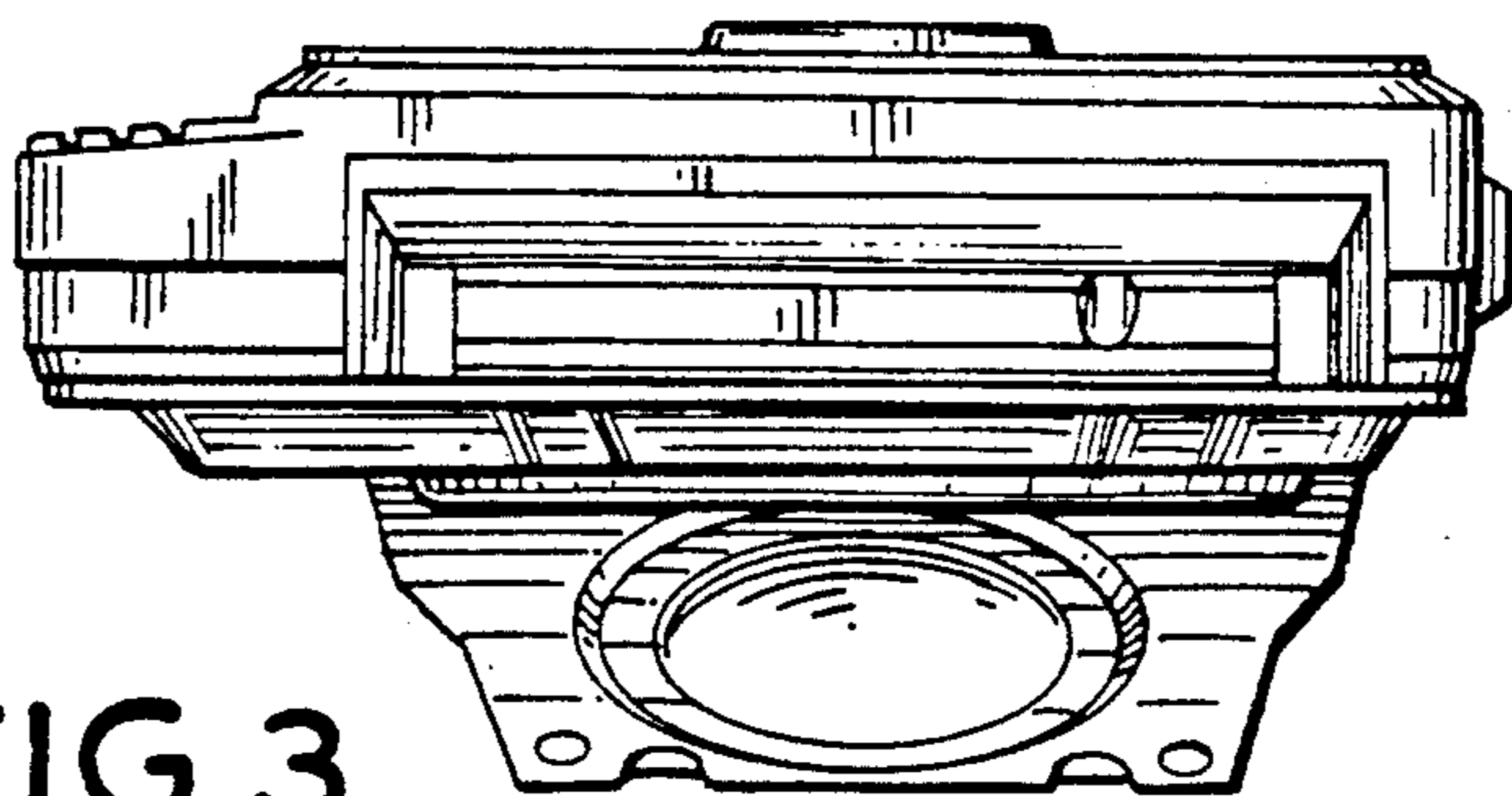


FIG. 3

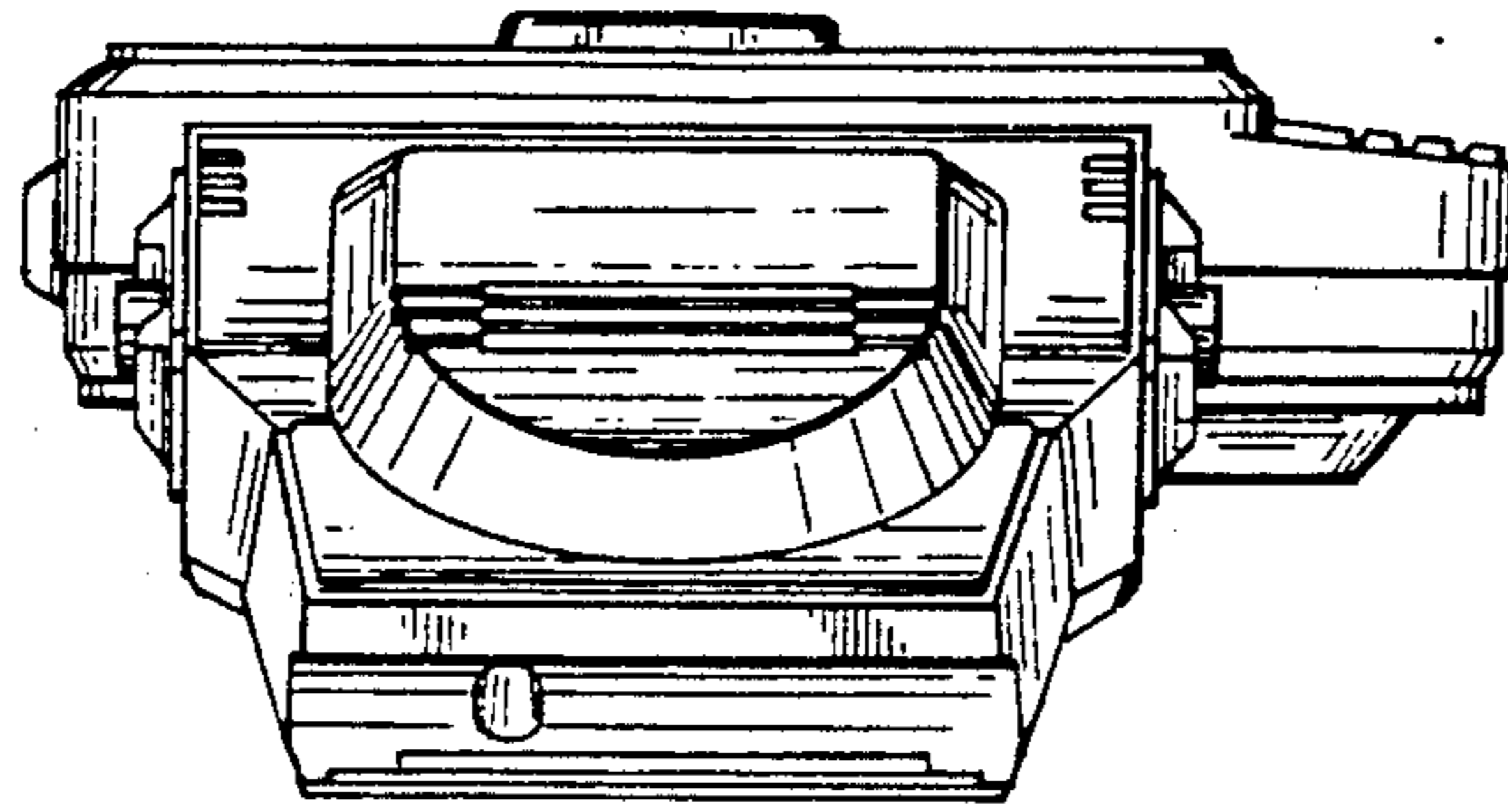


FIG. 4

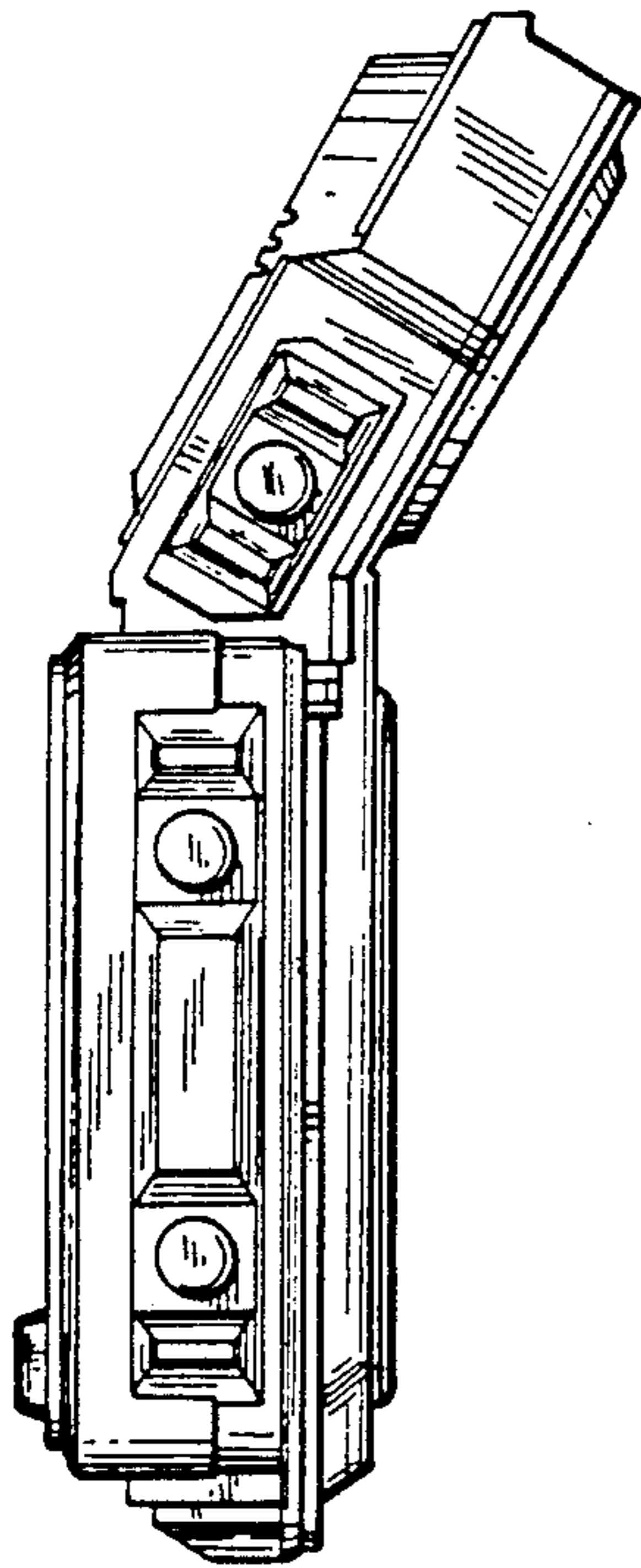


FIG. 5

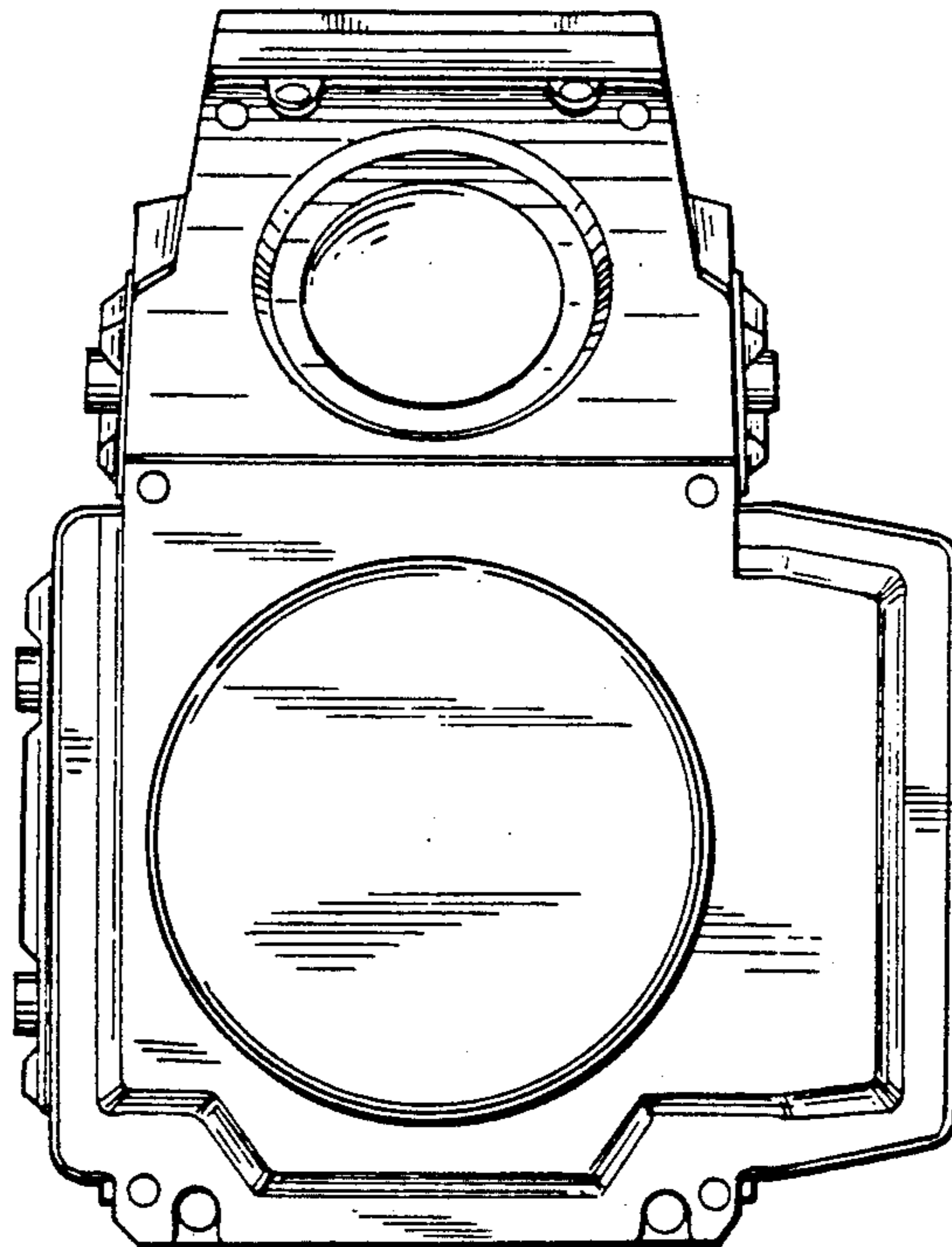


FIG. 7

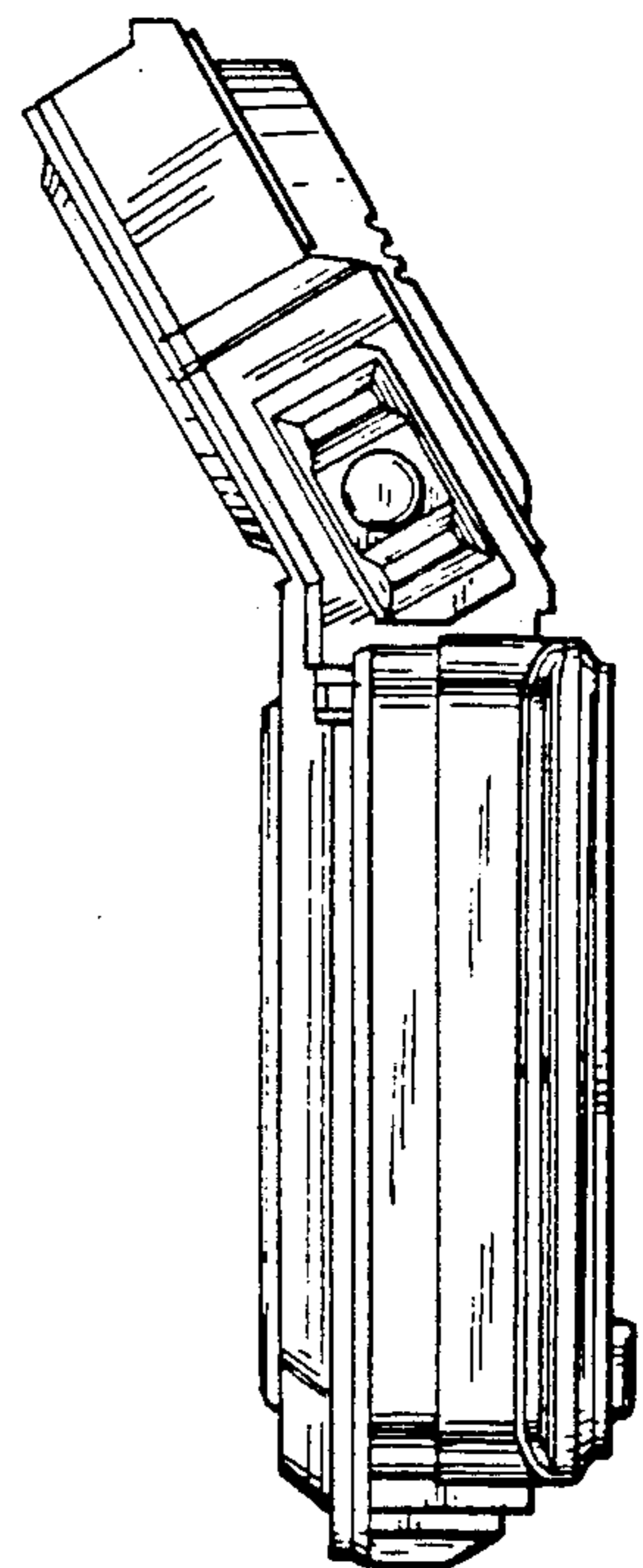


FIG. 6