

[54] DISPENSING CLOSURE

[75] Inventor: James M. Beck, Carol Stream, Ill.

[73] Assignee: Creative Packaging Corp., Wheeling, Ill.

[\*\*] Term: 14 Years

[21] Appl. No.: 442,935

[22] Filed: Nov. 29, 1989

[52] U.S. Cl. .... D9/447; D9/449

[58] Field of Search ..... D9/434, 435, 447, 449, D9/450, 448; D7/392; 222/566, 567, 570-575; 215/200, 211, 214, 235, 236, 237, 240, 250, 260, 263, 273, 274, 295, 296, 298, 306, 356, 363; 220/254, 288, 334, 339, 367, 375, 85 SP, 94 R, 90.2-90.6

[56] References Cited

U.S. PATENT DOCUMENTS

D. 116,676	9/1939	Hainage	.....	D7/392
D. 128,613	8/1941	Becker	.....	D9/450
D. 224,513	5/1977	Butcher	.....	D9/448
D. 227,085	6/1973	Nigro	.....	D9/448
D. 234,340	2/1975	Schick	.....	D9/448

D. 242,773	12/1976	Licari et al.	.....	D9/448
D. 308,944	7/1990	Lasorso, Jr.	.....	D9/448
930,721	8/1909	Beach, Jr.	.....	220/85 SP
1,607,774	11/1926	Morse	.....	220/85 SP

Primary Examiner—B. J. Bullock  
Assistant Examiner—Dominic Simone  
Attorney, Agent, or Firm—Silverman, Cass & Singer, Ltd.

[57] CLAIM

The ornamental design for a dispensing closure, as shown and described.

DESCRIPTION

FIG. 1 is a perspective view of a dispensing closure showing my new design, the same being shown in closed configuration;  
FIG. 2 is a top plan view thereof;  
FIG. 3 is a front elevational view thereof;  
FIG. 4 is a right side elevational view thereof, the left side being a mirror image;  
FIG. 5 is a rear elevational view thereof;  
FIG. 6 is a bottom plan view thereof; and  
FIG. 7 is a side elevational view thereof with the same being shown in open configuration.

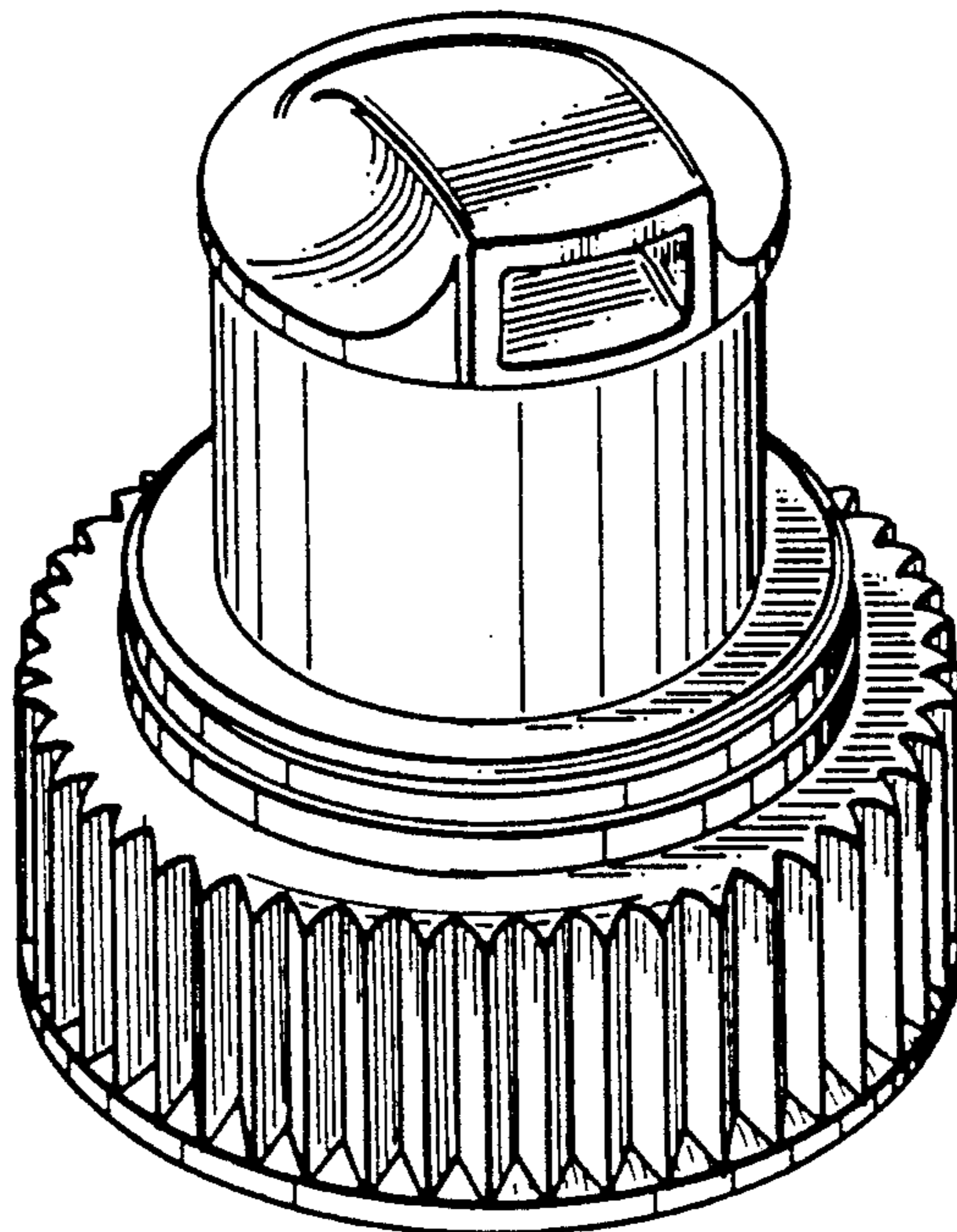


FIG. 1

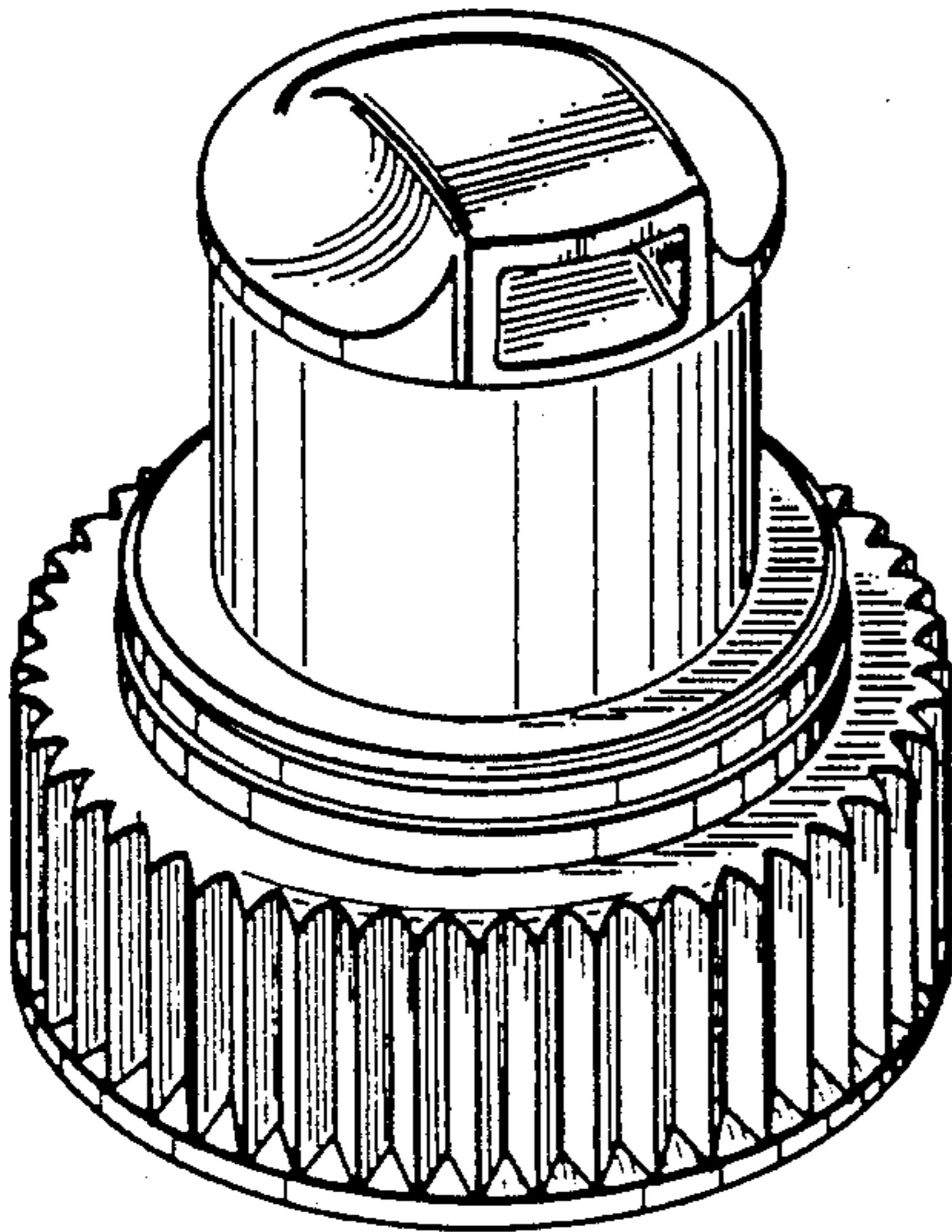


FIG. 2

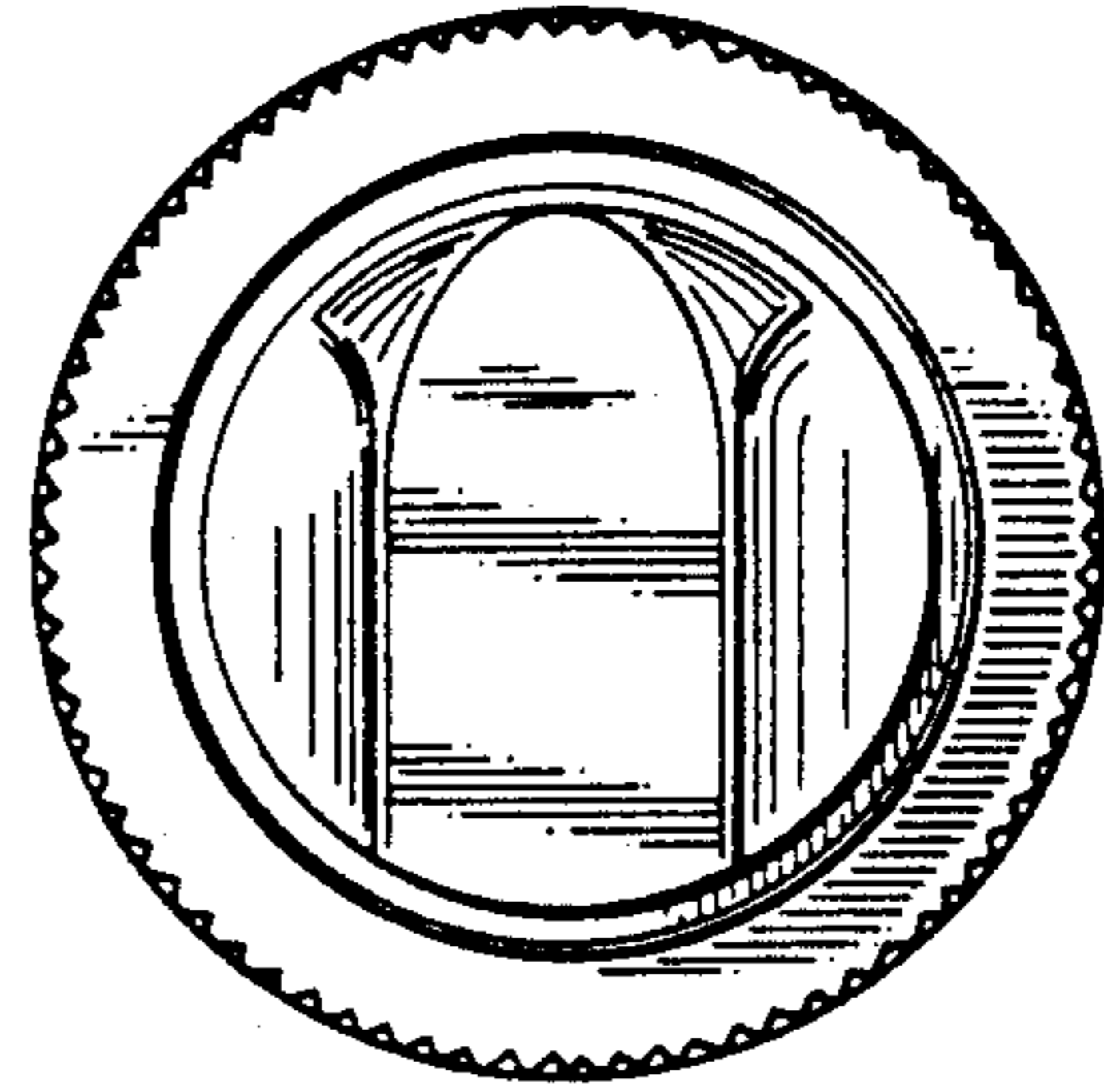


FIG. 4

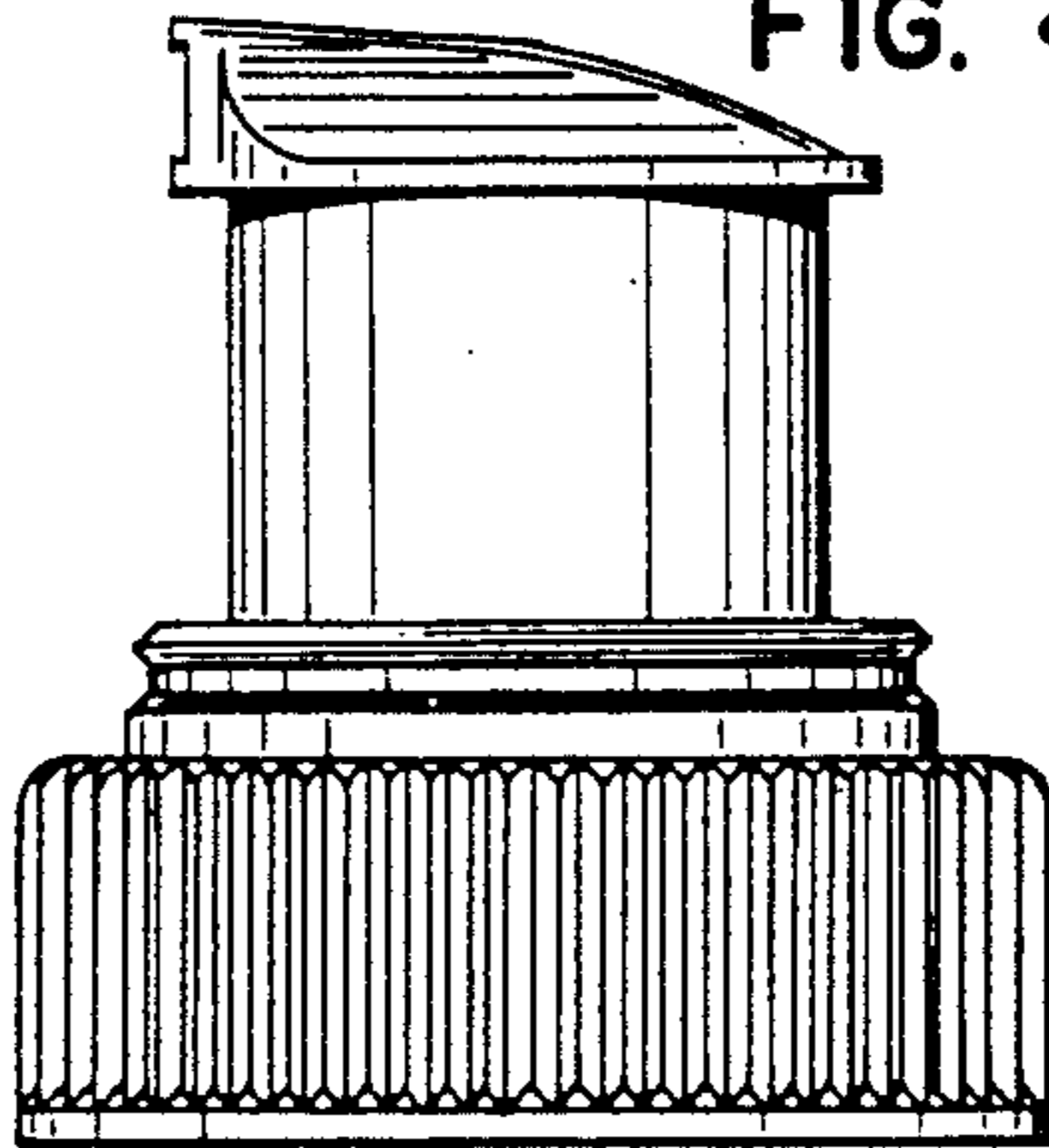


FIG. 3

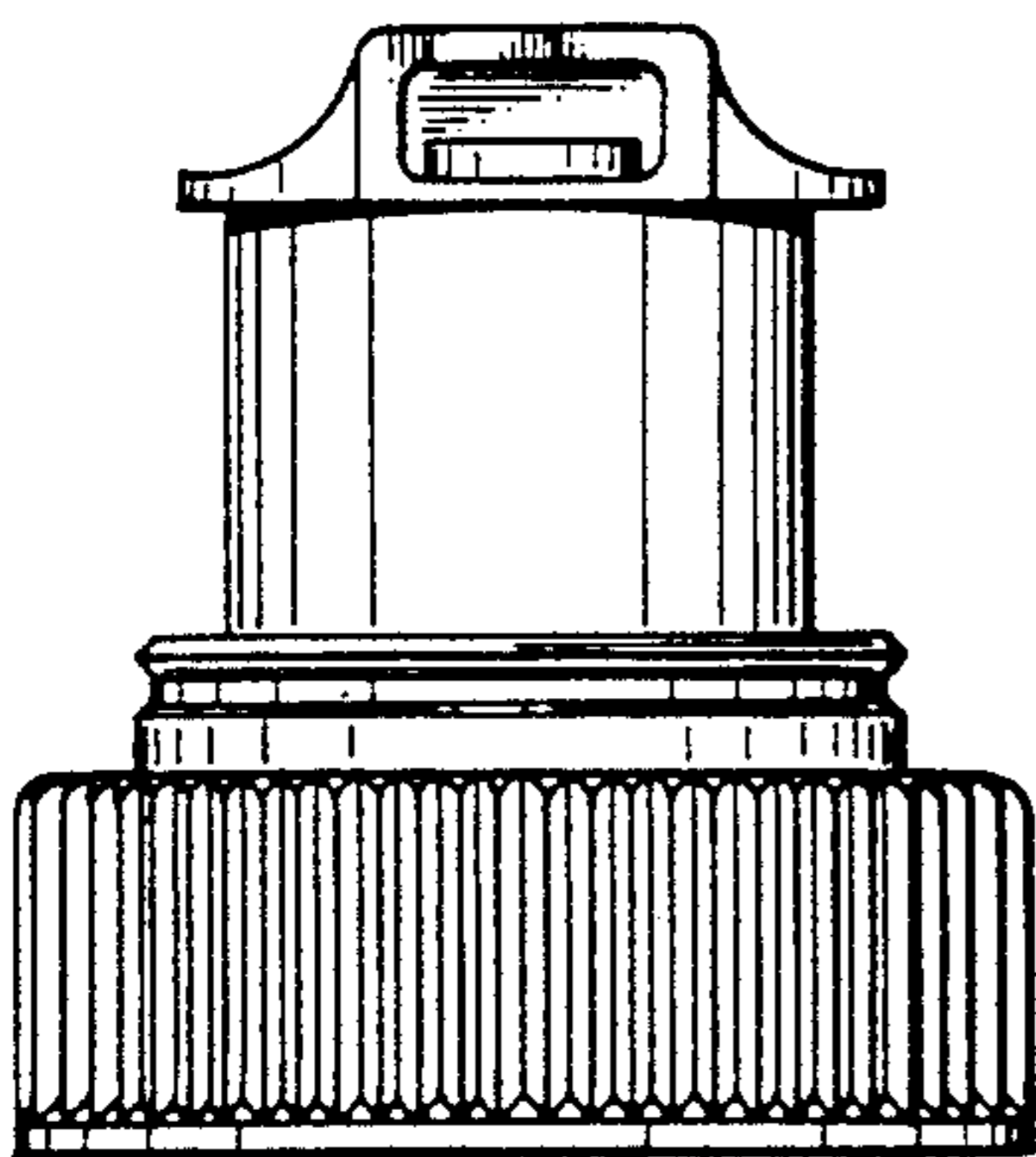


FIG. 5

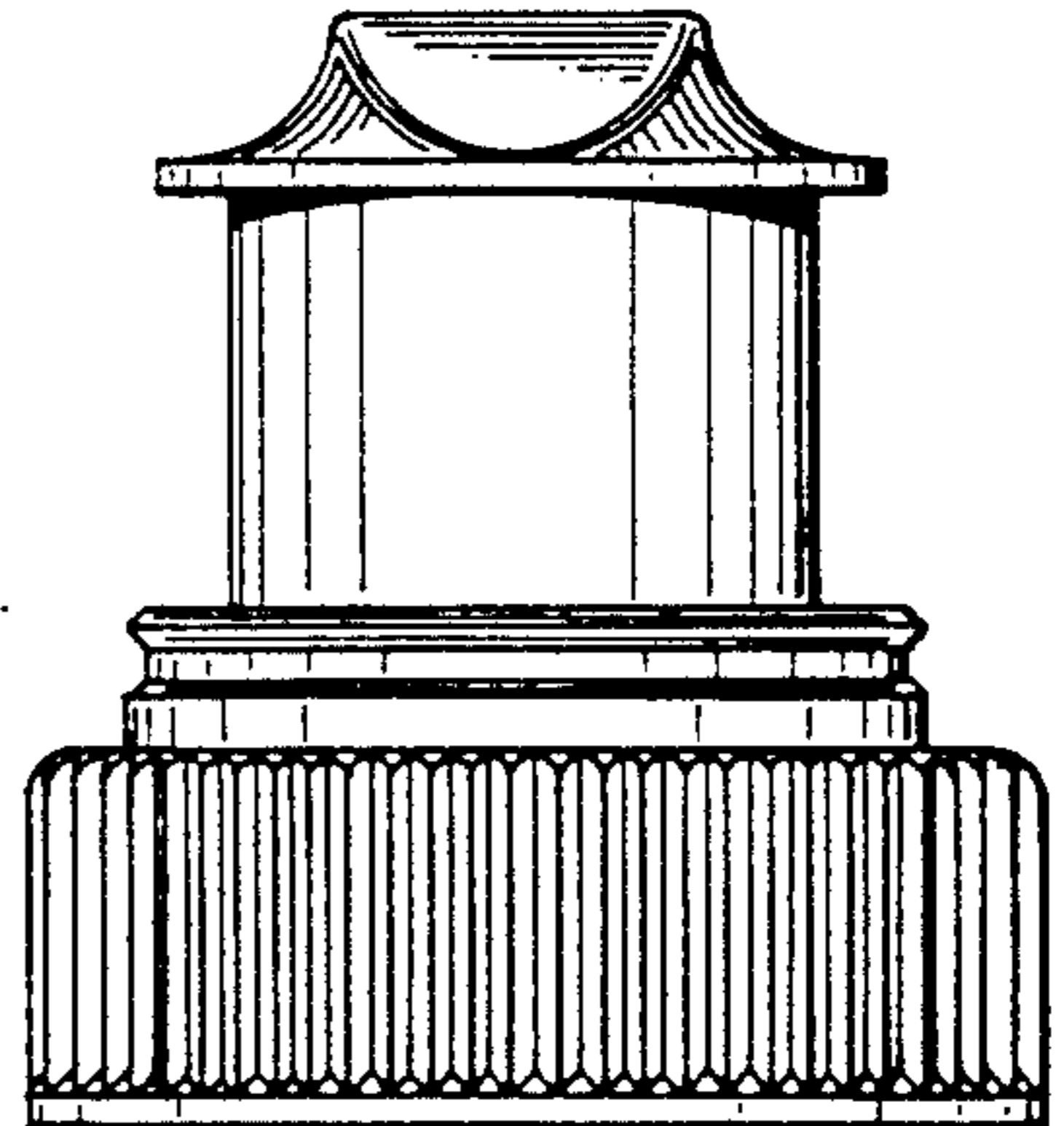


FIG. 6

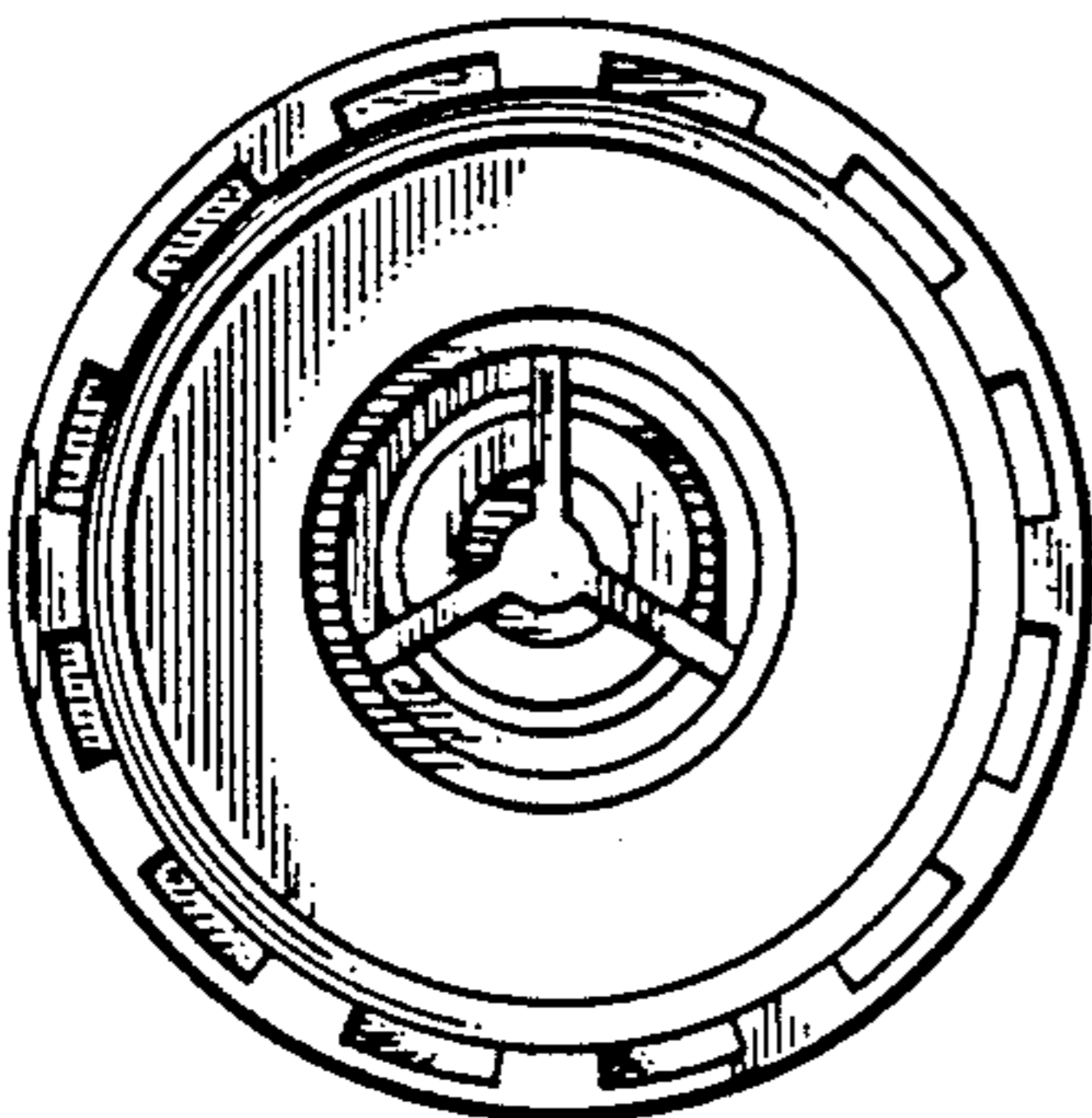


FIG. 7

