

United States Patent [19]

Westphal et al.

[11] Patent Number: **Des. 319,576**

[45] Date of Patent: **** Sep. 3, 1991**

[54] **PIVOT BAR COMPONENT OF A TILTABLE WINDOW SASH**

[75] Inventors: **Dennis Westphal, Galva; Jonathan Piles, McPherson, both of Kans.**

[73] Assignee: **CertainTeed Corporation, Valley Forge, Pa.**

[**] Term: **14 Years**

[21] Appl. No.: **297,532**

[22] Filed: **Jan. 13, 1989**

[52] U.S. Cl. **D8/400**

[58] Field of Search **D8/330-331, D8/339, 341, 342, 343, 400, 402, 499, 323; 49/165, 176, 181-182, 194-195, 453, 456**

[56] **References Cited**

U.S. PATENT DOCUMENTS

D. 263,278	3/1982	Toohil et al.	D8/331
2,305,411	12/1942	Fitzpatrick	D8/339 X
3,844,066	10/1974	Nobes	49/182
3,861,082	1/1975	Dau	49/181
4,079,549	3/1978	Wood	49/181
4,167,835	9/1979	Nobes	49/449

4,363,190	12/1982	Anderson	49/181
4,581,850	4/1986	Simpson	49/181
4,837,975	6/1989	Simpson	49/175

Primary Examiner—Susan J. Lucas
Assistant Examiner—Brian N. Vinson
Attorney, Agent, or Firm—Paul & Paul

[57] **CLAIM**

The ornamental design for a pivot bar component of a tiltable window sash, as shown and described.

DESCRIPTION

FIG. 1 is a top, front, and right side perspective view of a pivot bar component of a tiltable window sash showing our new design;

FIG. 2 is an enlarged top plan view thereof;

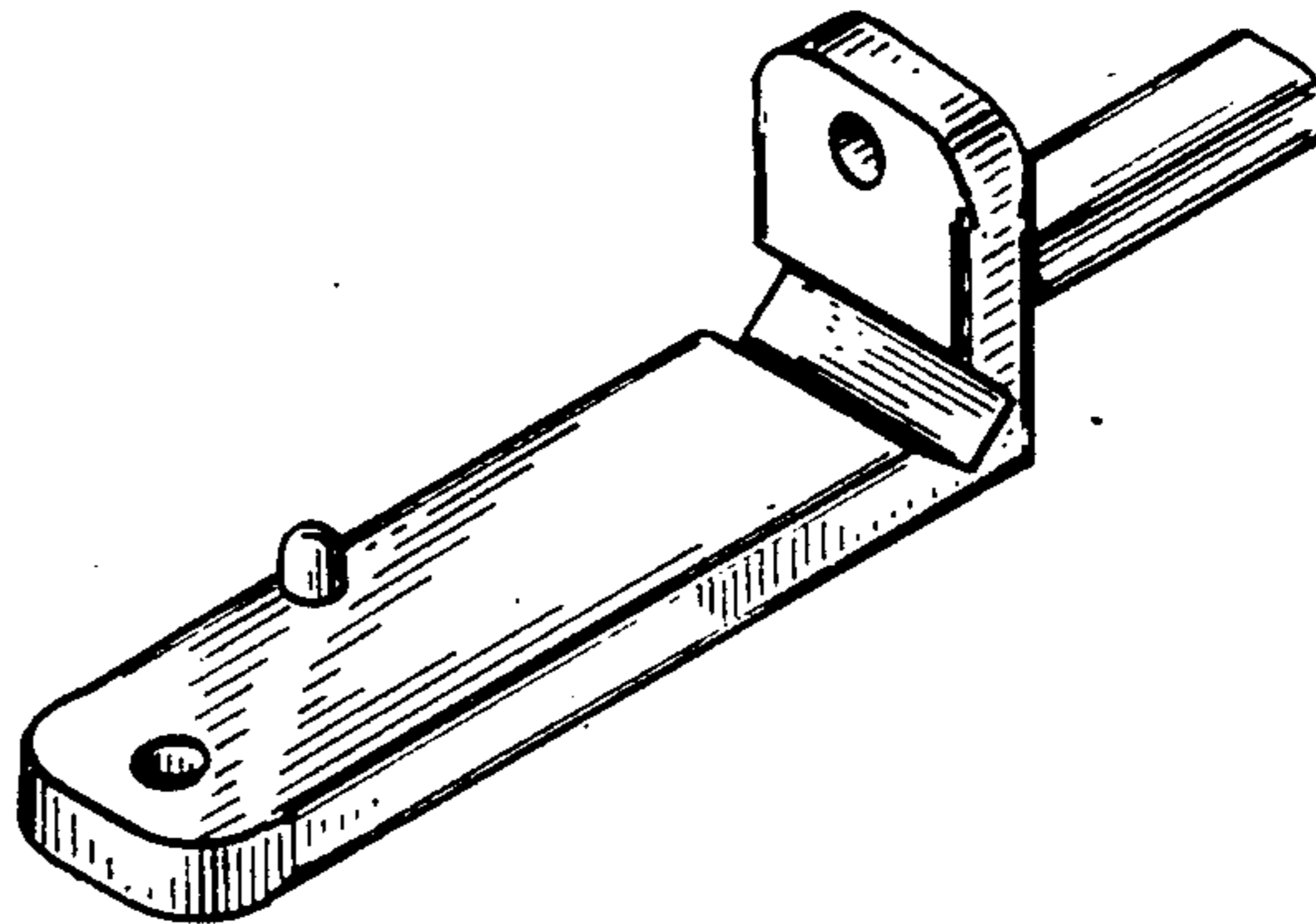
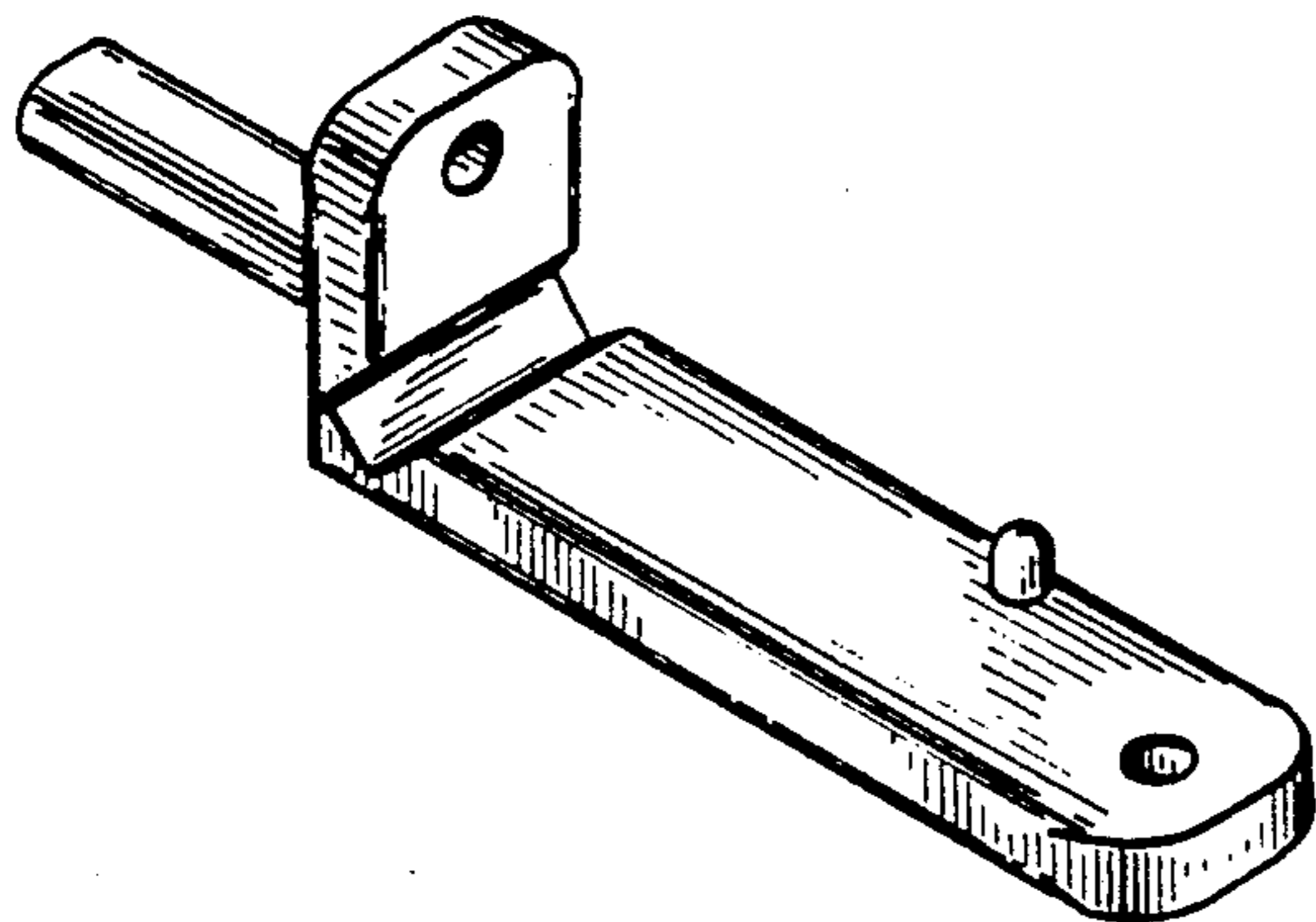
FIG. 3 is an enlarged front elevational view thereof, the rear being a mirror image of that shown;

FIG. 4 is an enlarged right side elevational view thereof;

FIG. 5 is an enlarged left side elevational view thereof;

FIG. 6 is an enlarged bottom plan view thereof; and

FIG. 7 is a top, front, and left side perspective view of an alternative embodiment thereof, the only difference being that the alternative embodiment is a mirror image of that shown in FIG. 1.



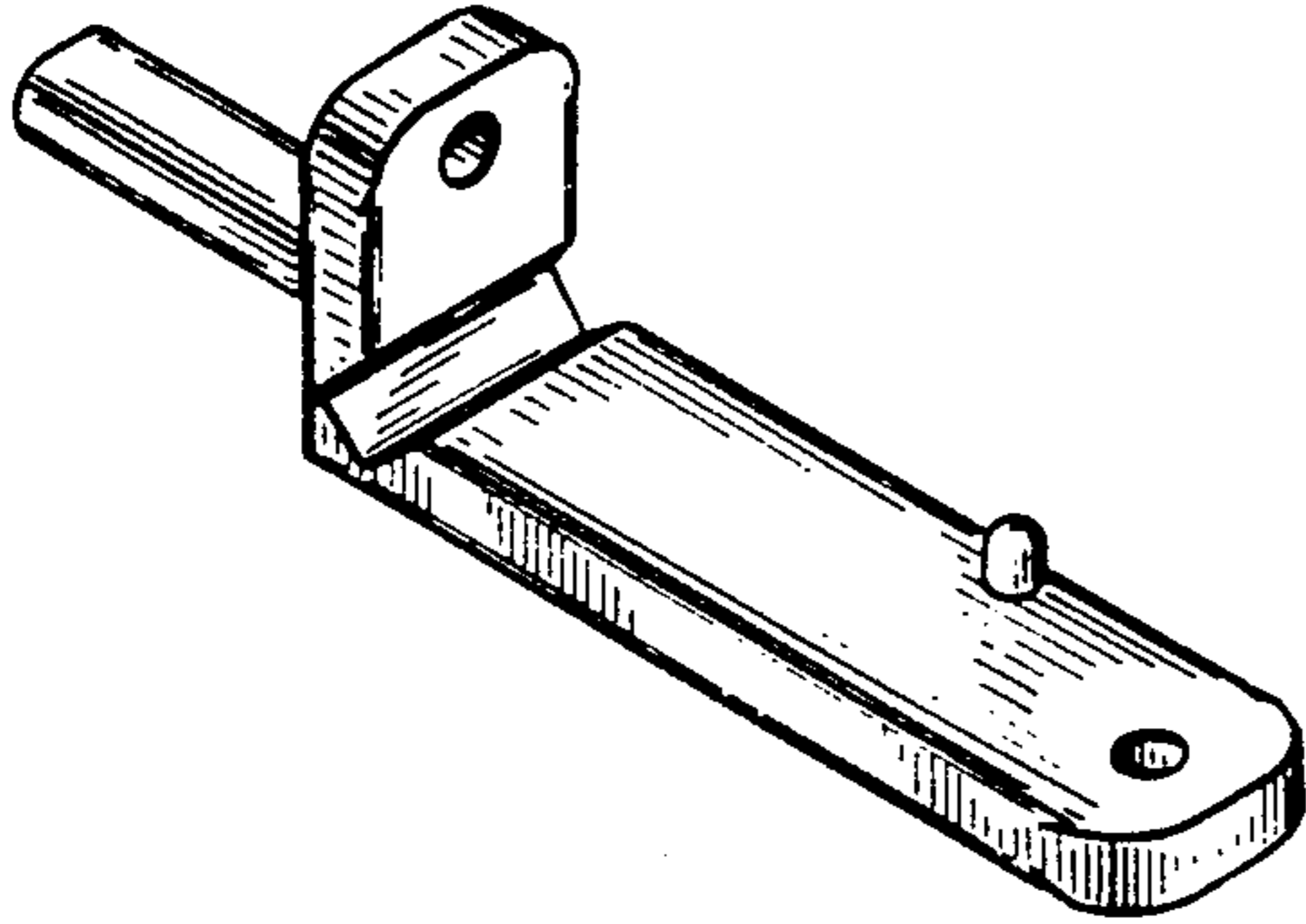


Fig. 1

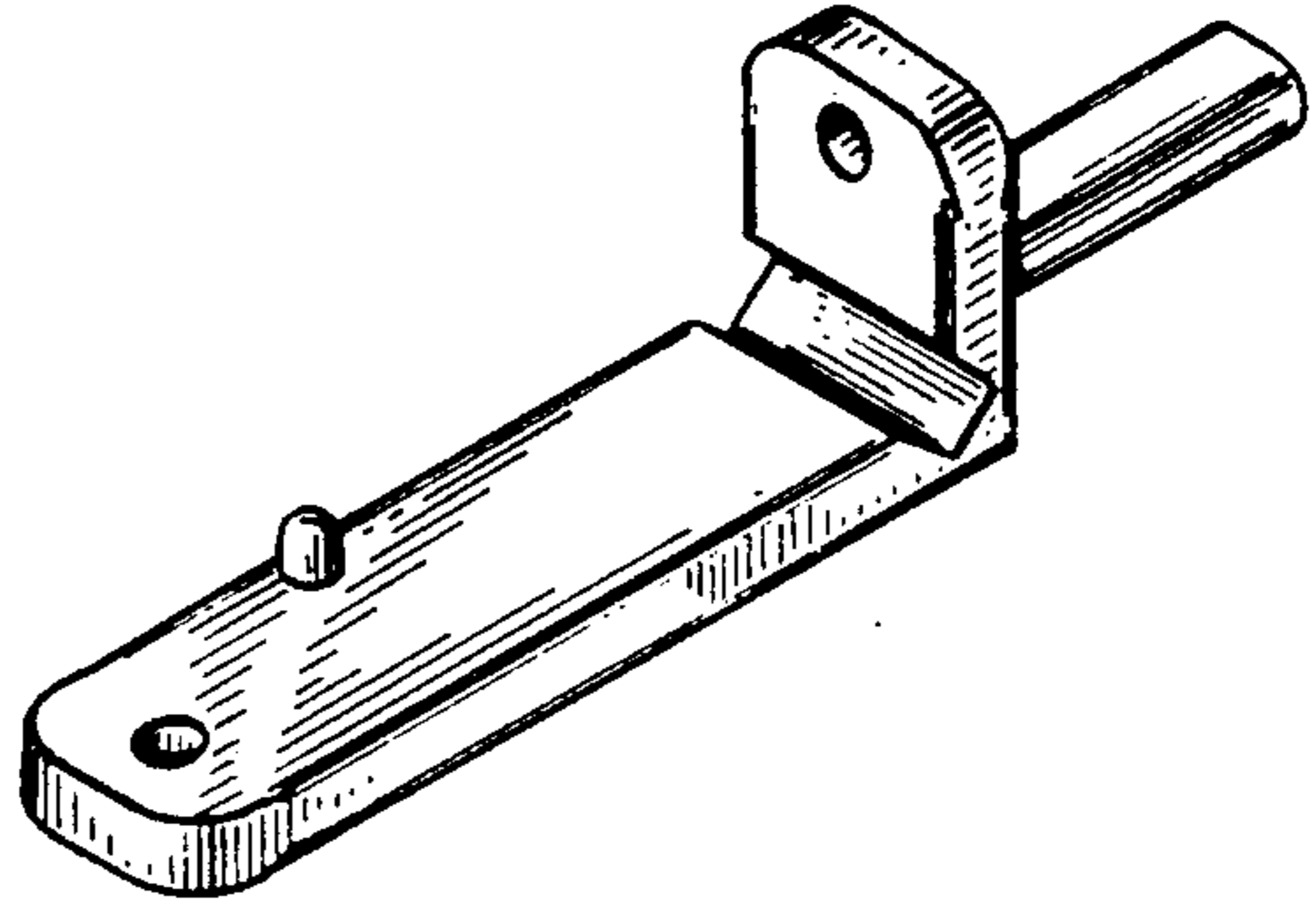


Fig. 7

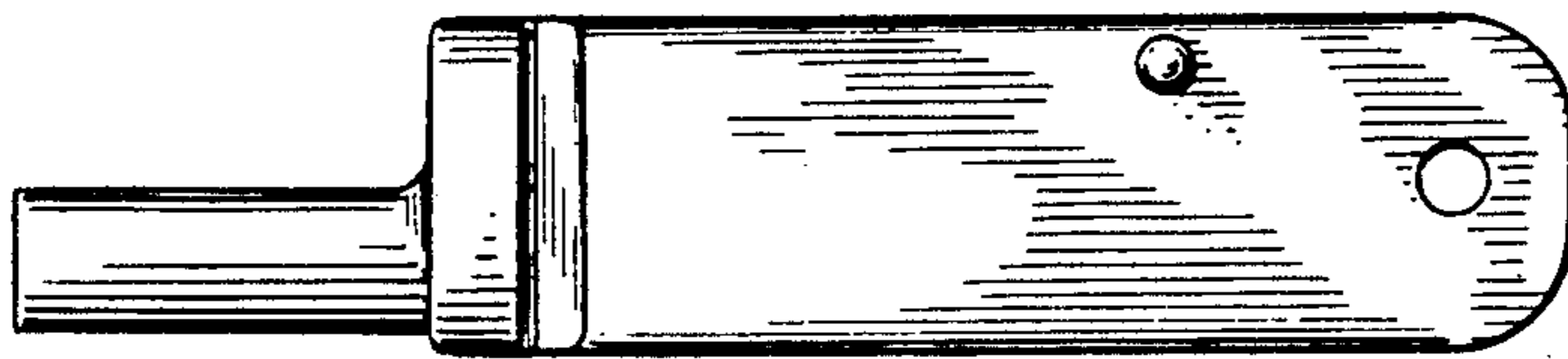


Fig. 2

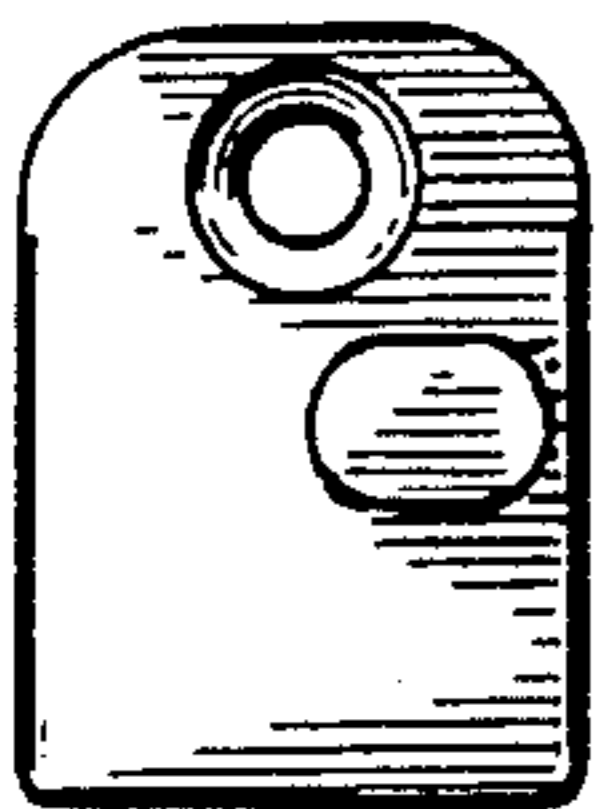


Fig. 5

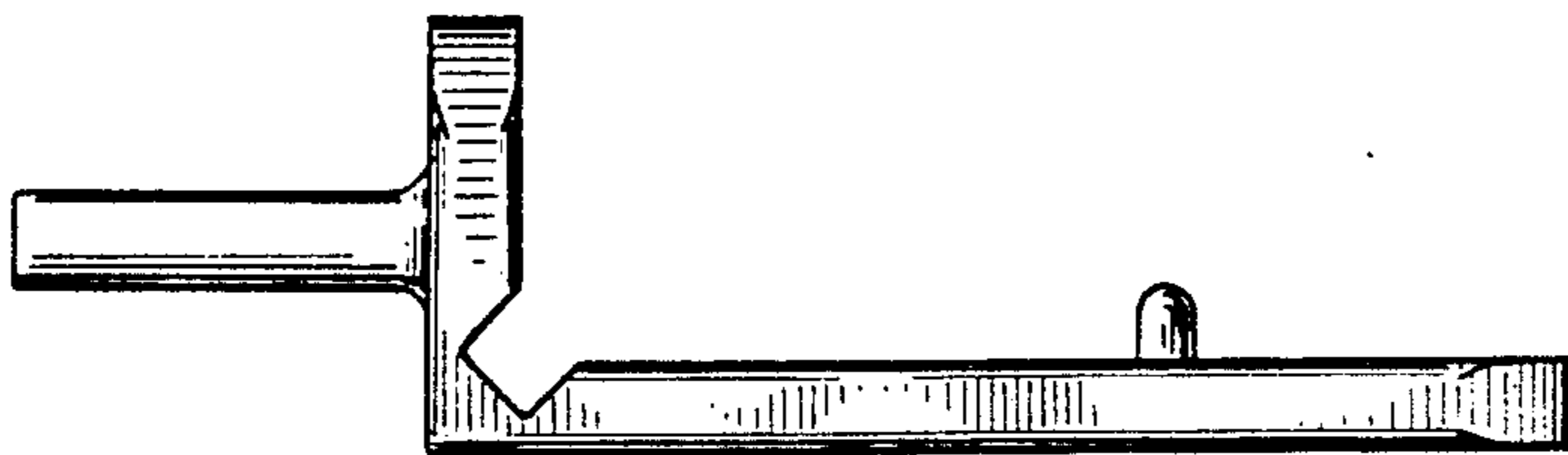


Fig. 3

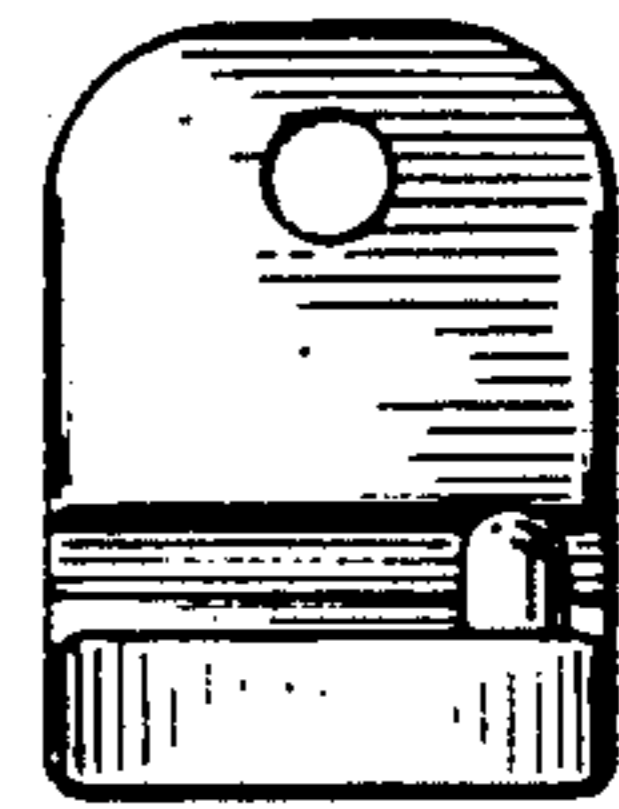


Fig. 4

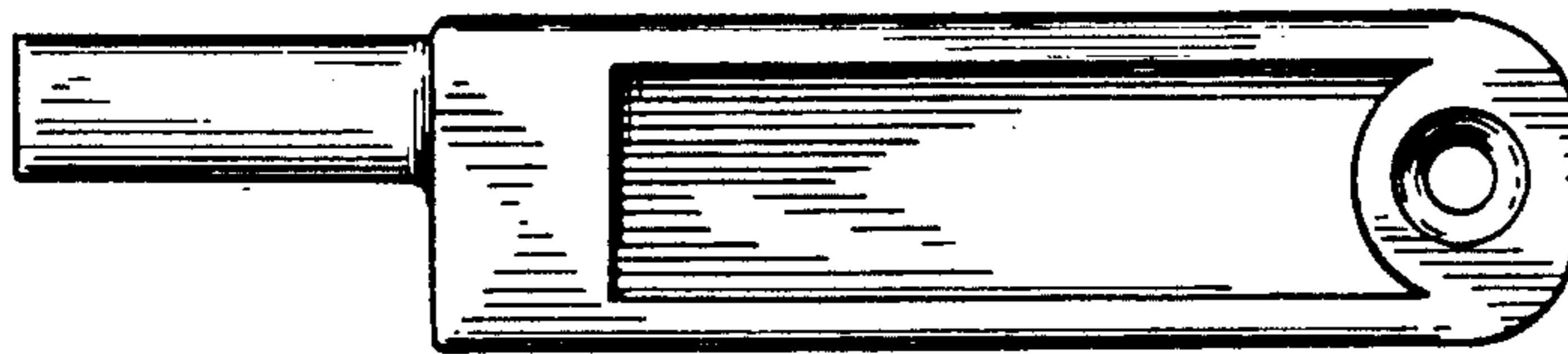


Fig. 6