

[54] **OUTDOOR LIGHT HOLDER**

[75] **Inventor: Clemens H. Young, Warren, Mich.**

[73] **Assignee: Handy Products Company, Warren, Mich.**

[\*\*] **Term: 14 Years**

[21] **Appl. No.: 429,344**

[22] **Filed: Oct. 31, 1989**

[52] **U.S. Cl. .... D8/395; D8/396; D26/138**

[58] **Field of Search ..... D26/138, 140; D8/395, D8/396, 394, 349, 354, 355, 363, 366, 373, 380, 381; 362/396, 397, 398; 806/249, 250**

[56] **References Cited**

**U.S. PATENT DOCUMENTS**

D. 224,085	7/1972	Cuva .....	D8/363
D. 297,616	9/1988	Doty et al. ....	D26/138 X
D. 306,553	3/1990	Rumpel .....	D8/395
2,644,383	7/1953	Meditz .....	248/229 X
3,584,795	6/1971	Baird .....	362/396
3,596,859	8/1971	MacDonald .....	362/396 X
3,599,918	8/1971	Patchett .....	362/396 X

*Primary Examiner—Susan J. Lucas*  
*Attorney, Agent, or Firm—Brooks & Kushman*

[57] **CLAIM**

The ornamental design for an outdoor light holder, as shown and described.

**DESCRIPTION**

FIG. 1 is a perspective view of an outdoor light holder showing one embodiment of my new design, it being understood that the broken lines are for illustrative purposes only and for no part of the design;

FIG. 2 is an enlarged front elevation view of the embodiment of FIG. 1.

FIG. 3 is an enlarged top plan view of the embodiment of FIG. 1;

FIG. 4 is an enlarged bottom plan view of the embodiment of FIG. 1;

FIG. 5 is an enlarged side elevation view of the embodiment of FIG. 1; and

FIG. 6 is an enlarged rear elevation view of the embodiment of FIG. 1.

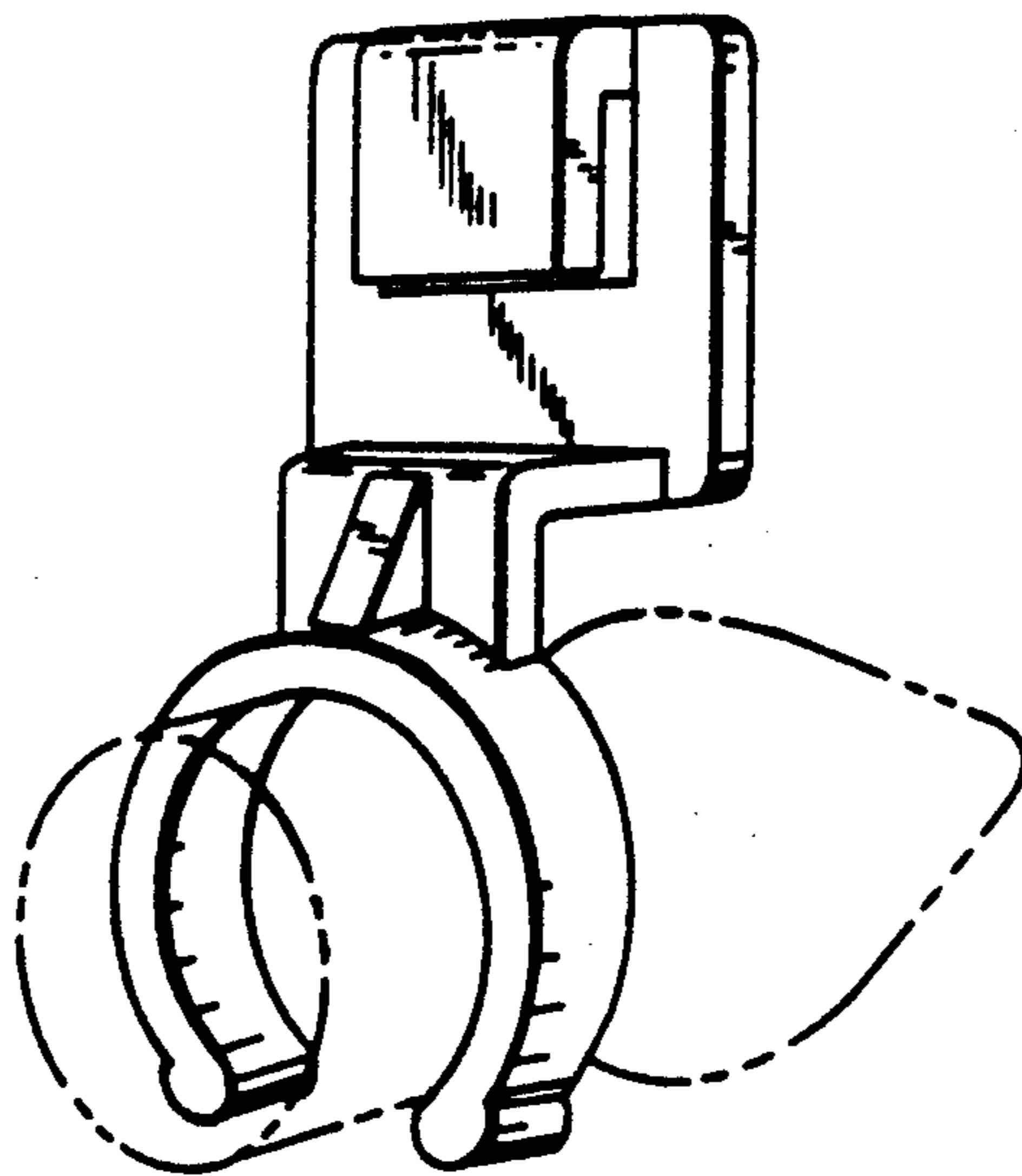
FIG. 7 is an enlarged front elevation view of an outdoor light holder showing another embodiment of my new design;

FIG. 8 is an enlarged top plan view of the embodiment of FIG. 7;

FIG. 8 is an enlarged bottom plan view of the embodiment of FIG. 7;

FIG. 10 is an enlarged side elevation view of the embodiment of FIG. 7; and

FIG. 11 is an enlarged rear elevation view of the embodiment of FIG. 7.



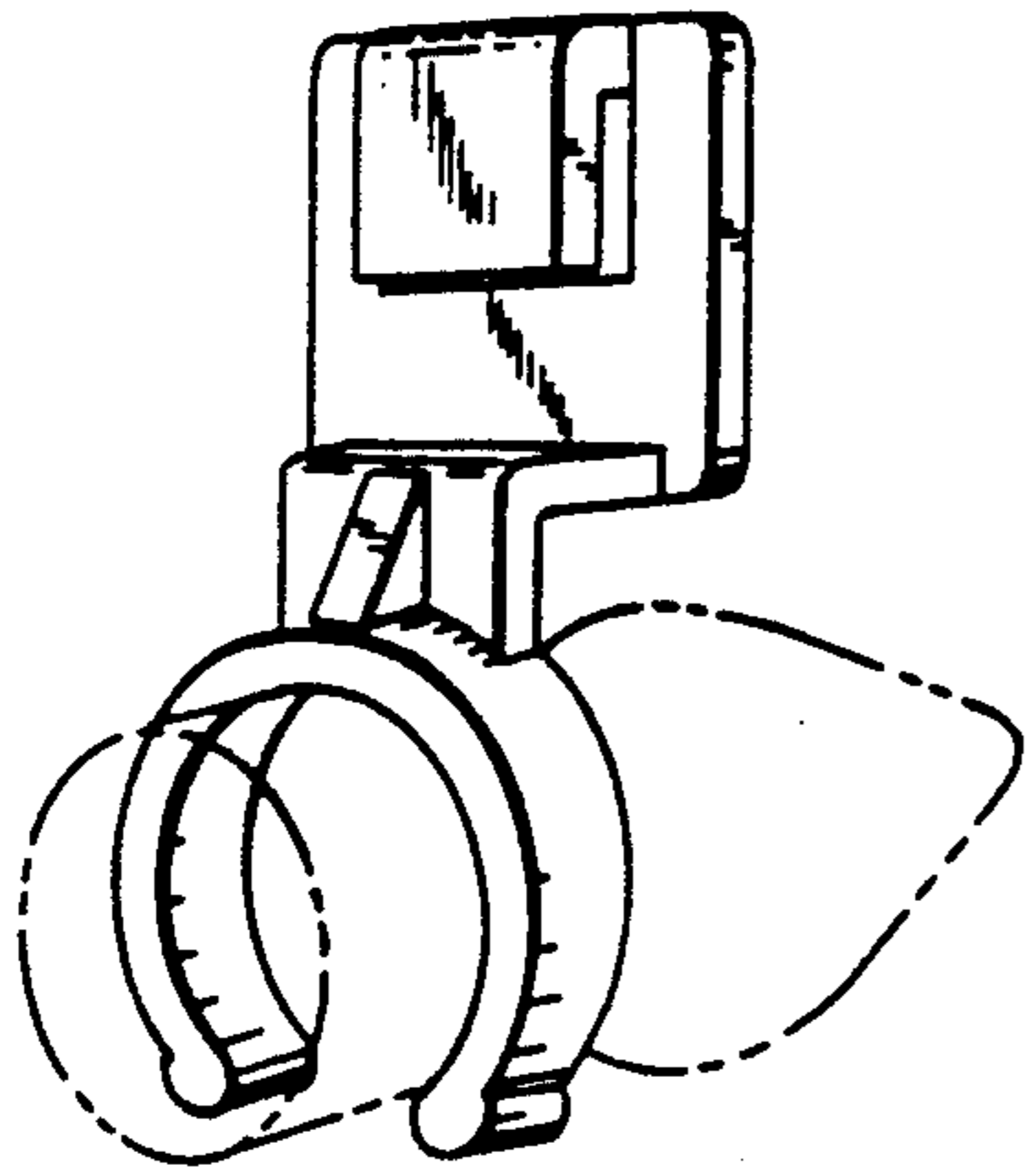


FIG. 1

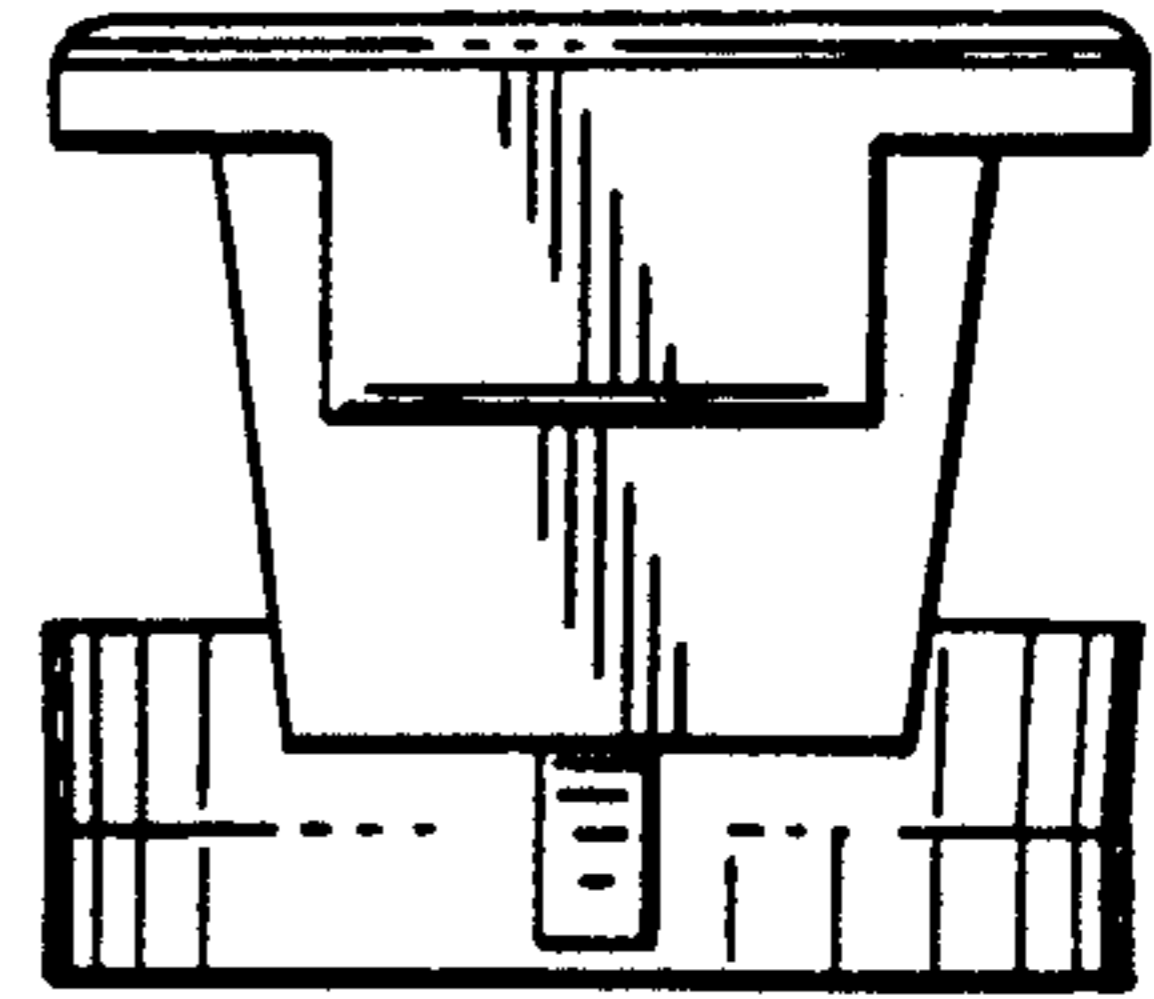


FIG. 3

FIG. 2

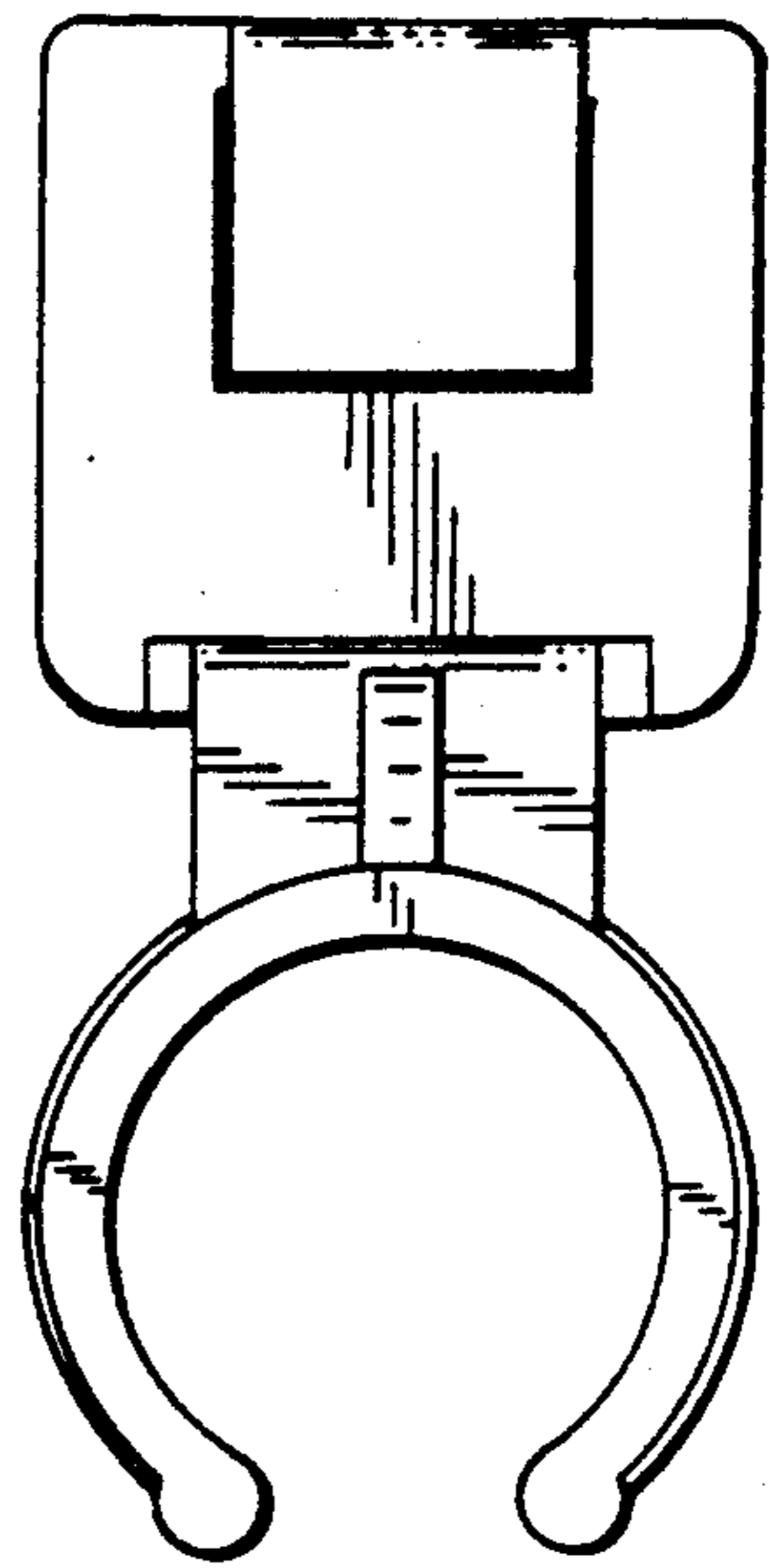


FIG. 4

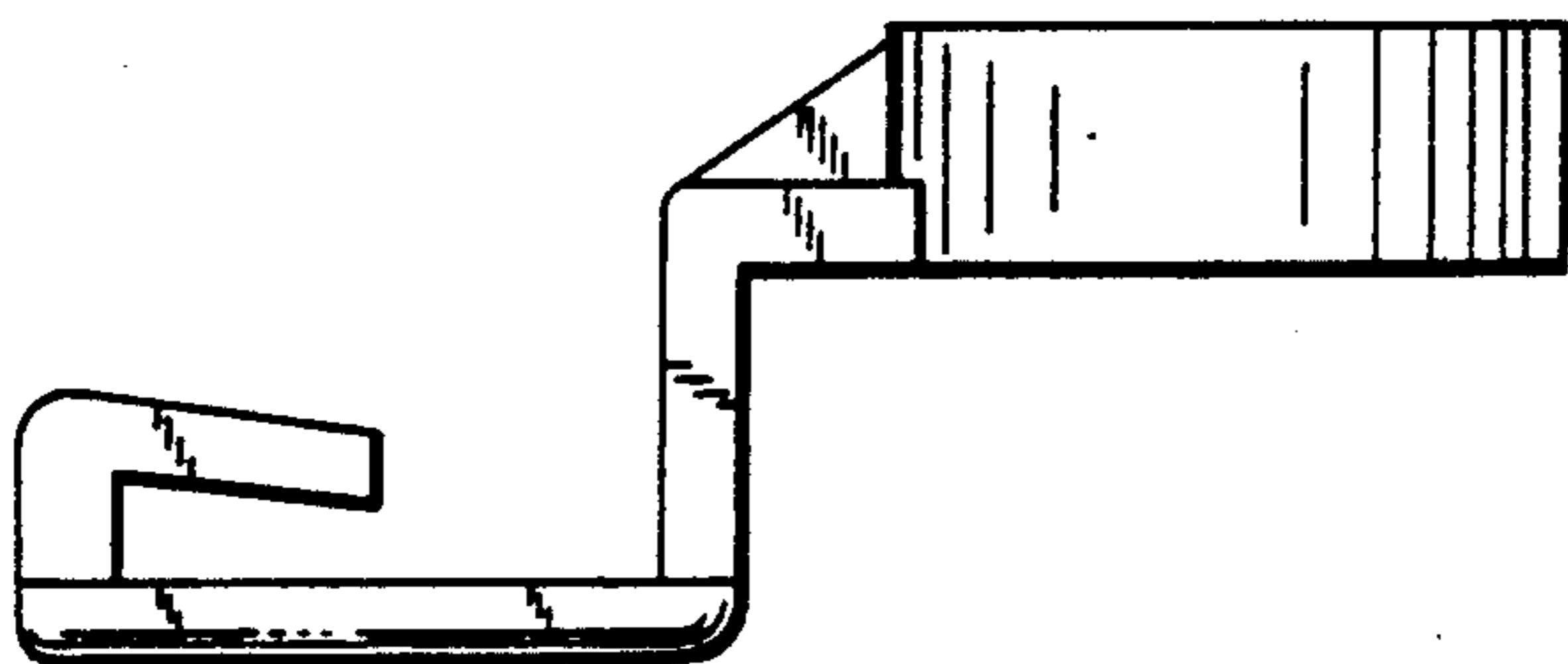


FIG. 5

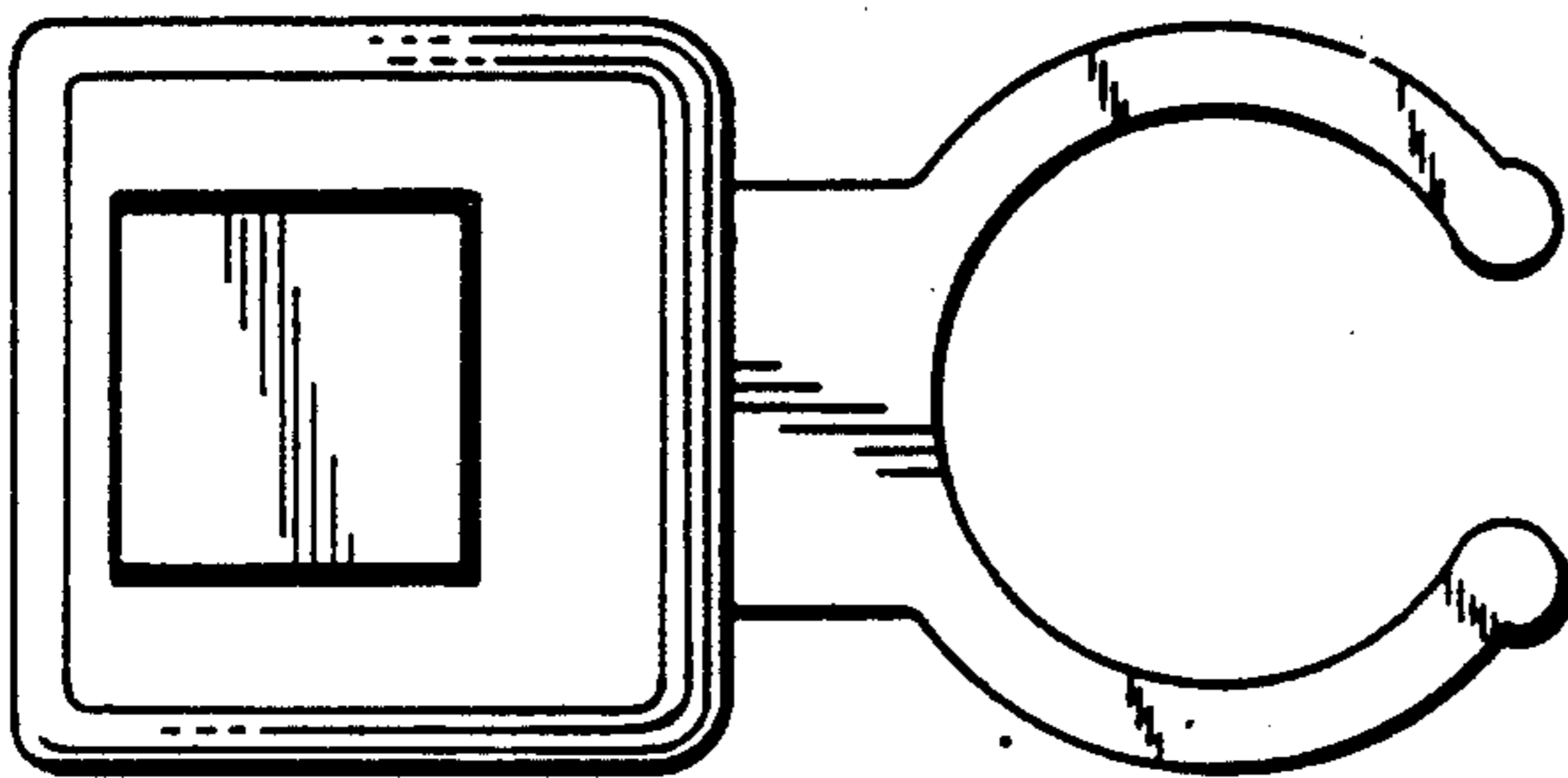
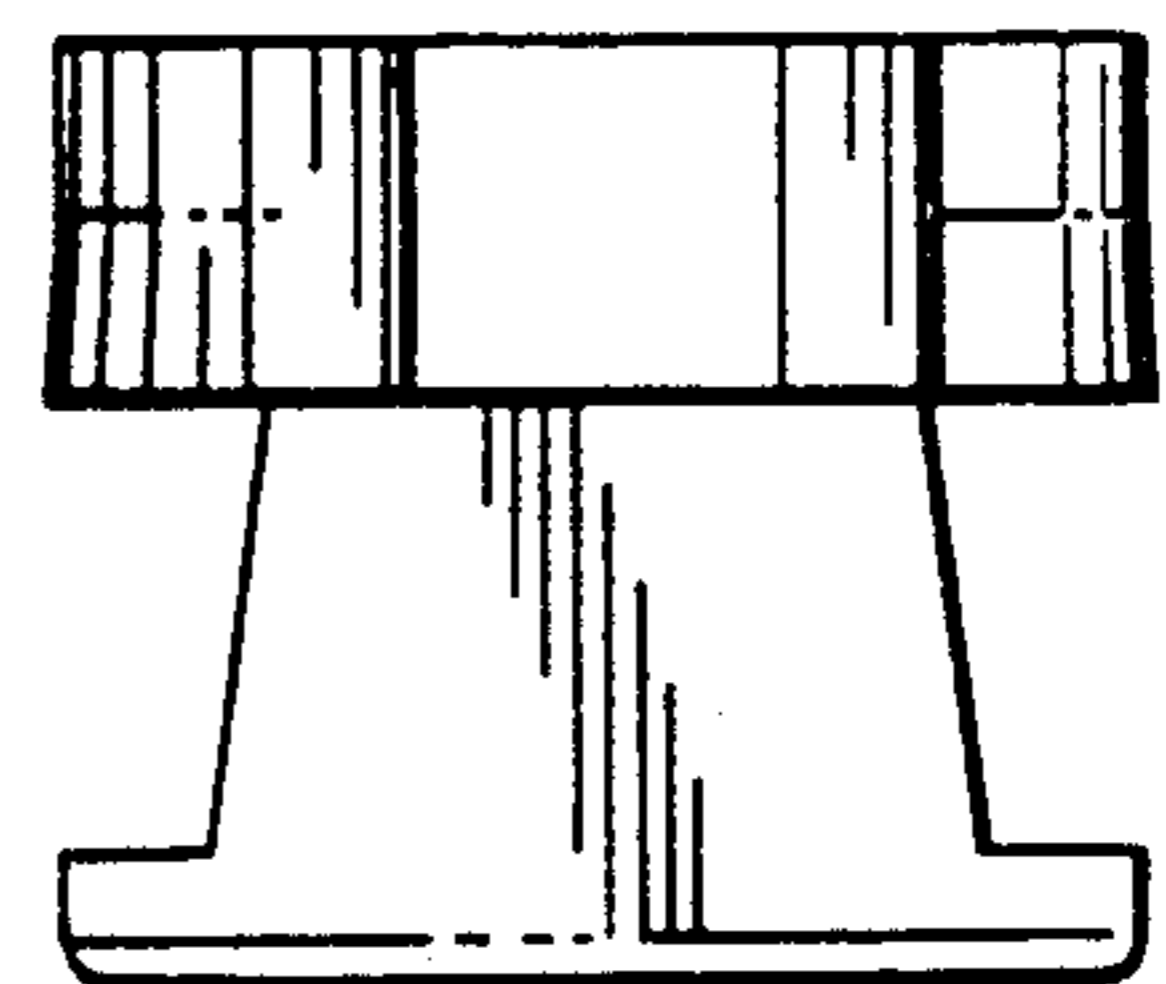


FIG. 6



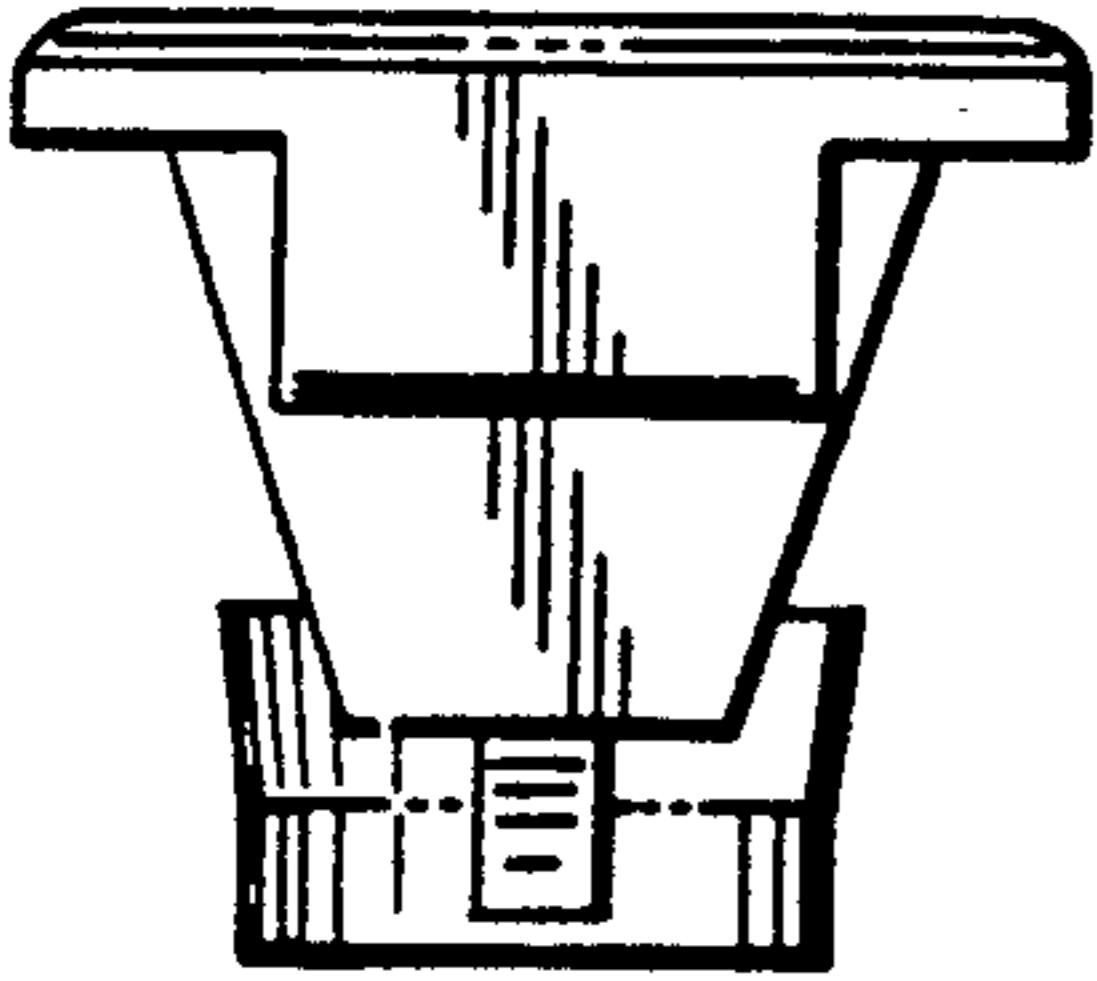


FIG. 8

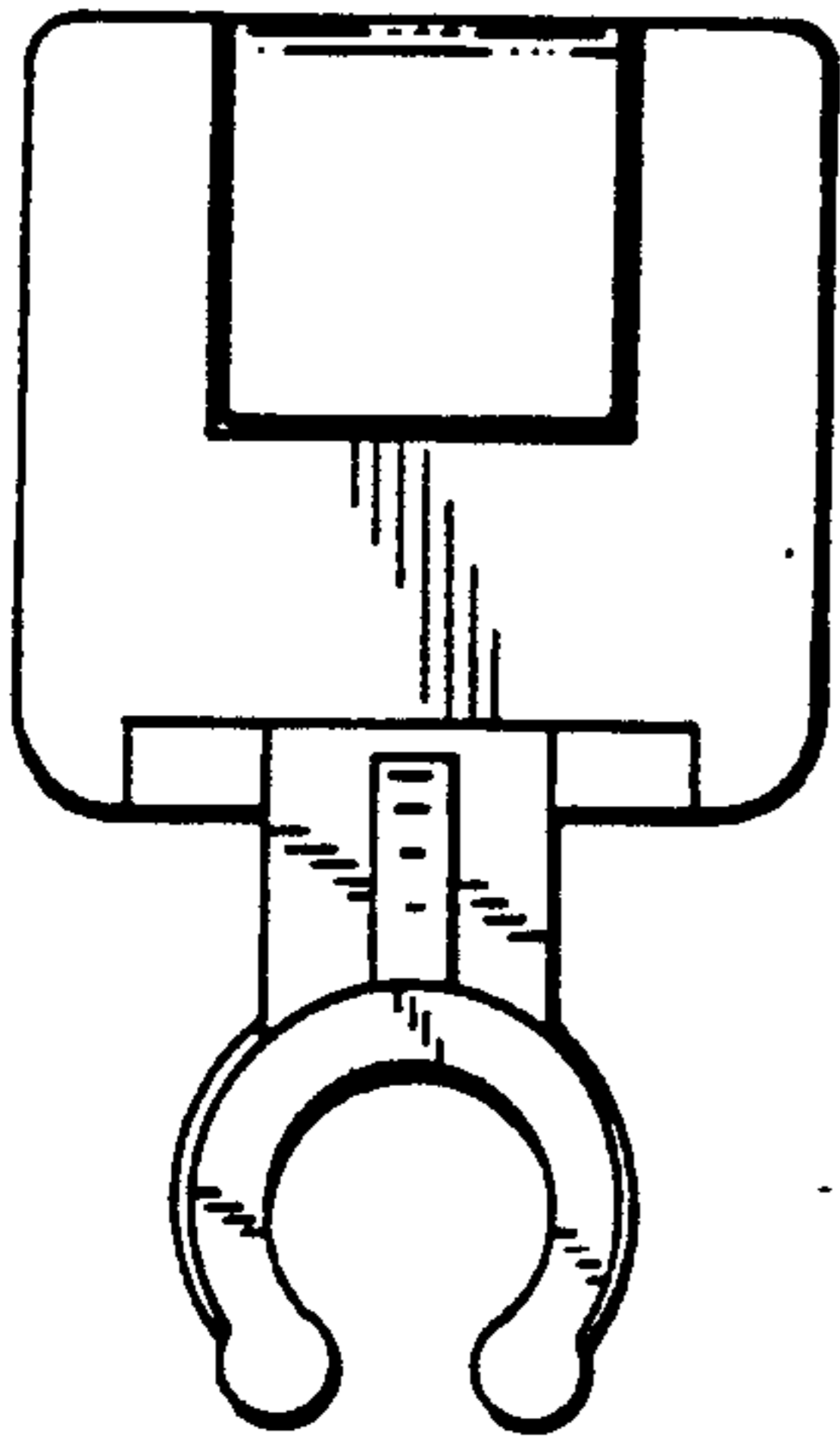


FIG. 7

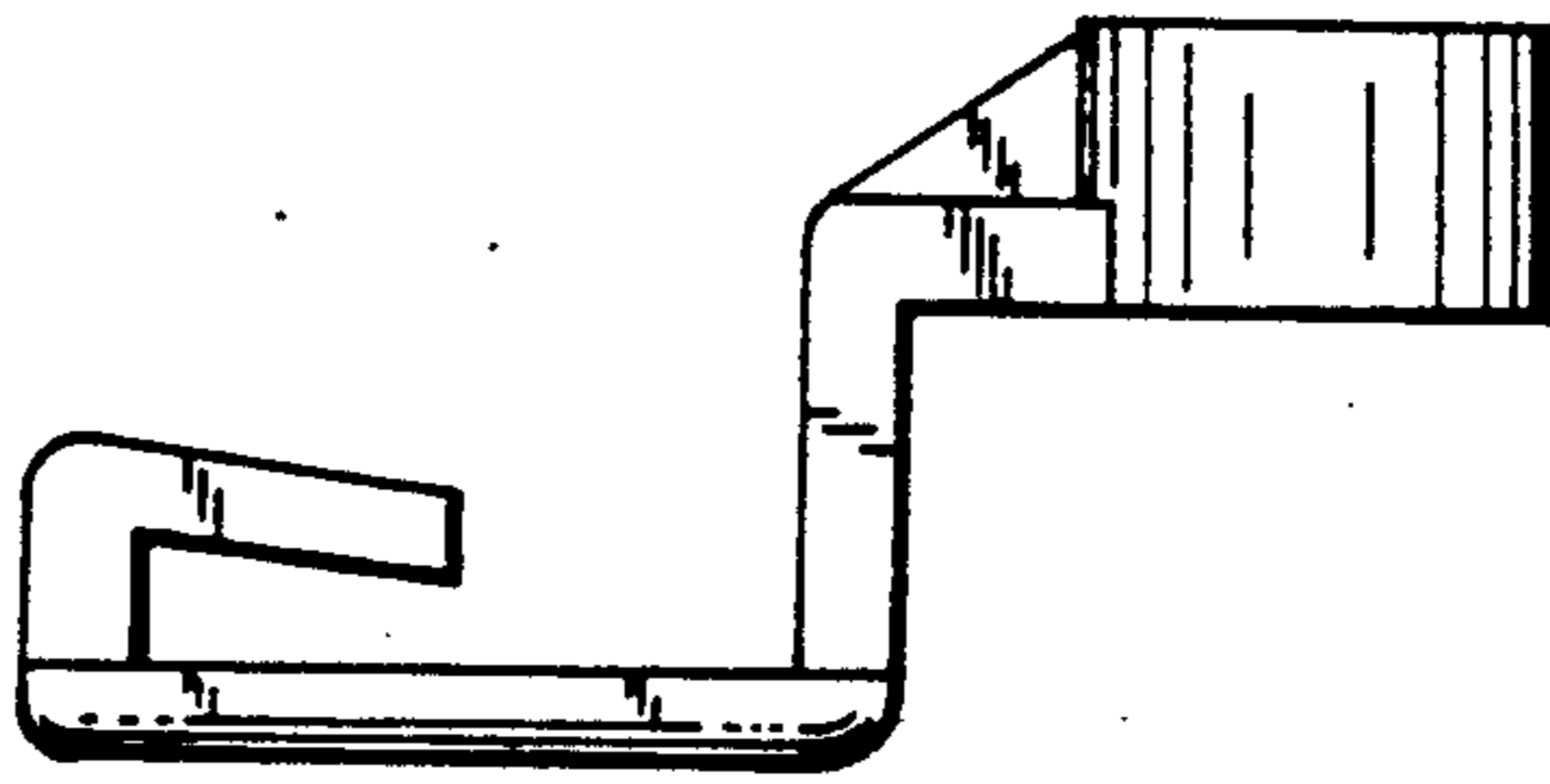


FIG. 10

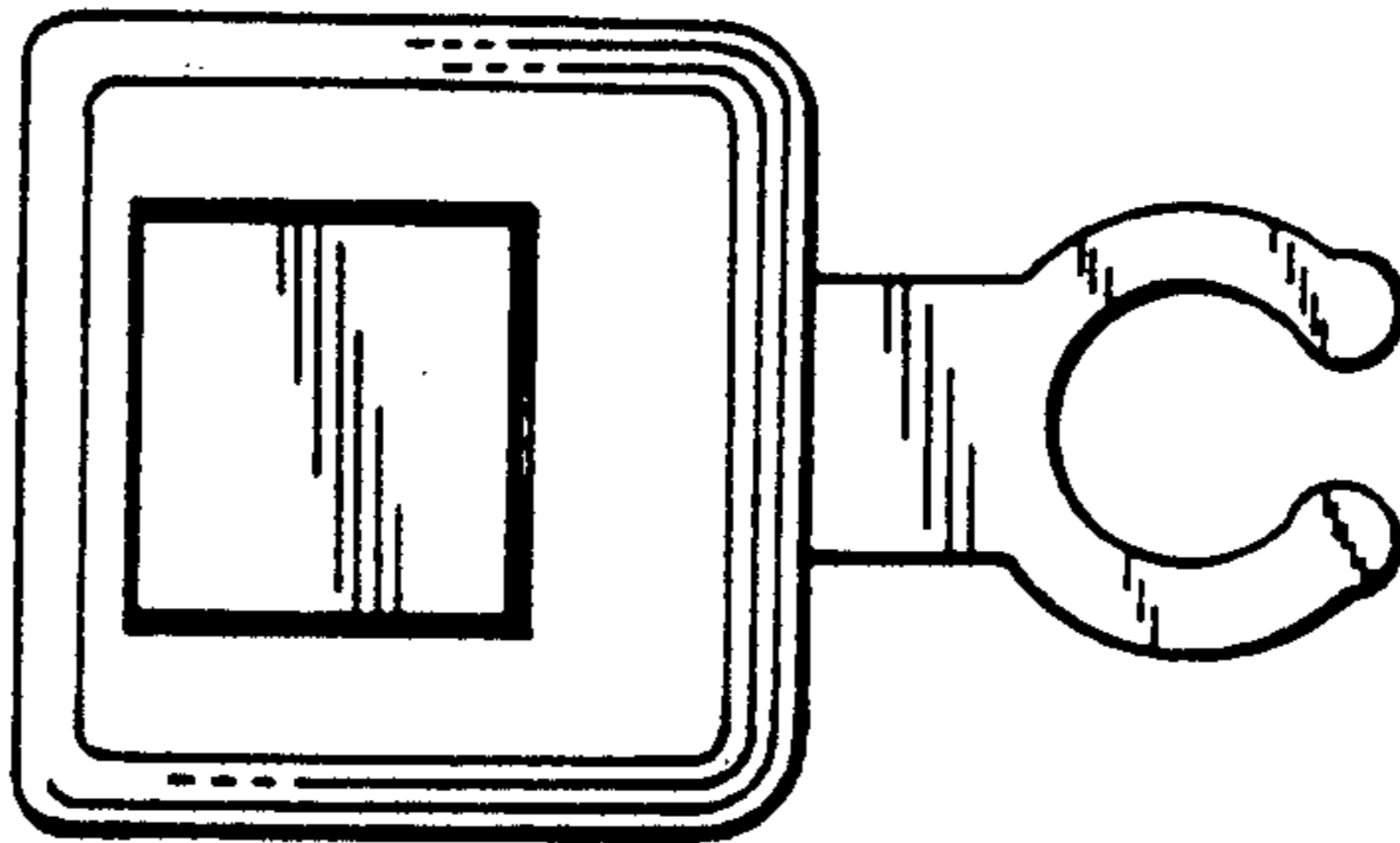


FIG. 11

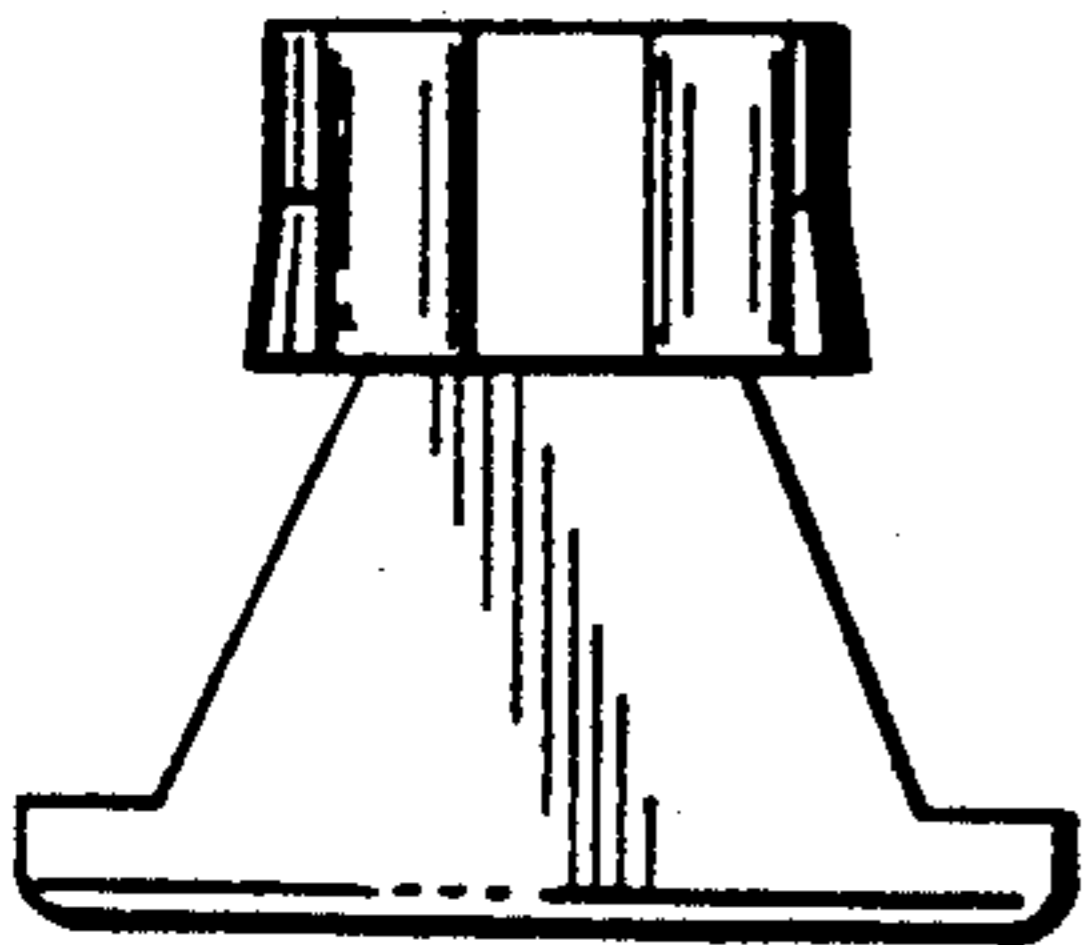


FIG. 9