

[54] SKI SHARPENER

[76] Inventor: Frederick R. Sherman, 525 Willard, Pocatello, Id. 83201

[\*\*] Term: 14 Years

[21] Appl. No.: 607,504

[22] Filed: Nov. 1, 1990

Related U.S. Application Data

[62] Division of Ser. No. 105,692, Oct. 8, 1987, Pat. No. Des. 314,499.

[52] U.S. Cl. .... D8/91; D8/90; D8/94

[58] Field of Search ..... D8/51, 90-93; 51/391, 392, 370, 371, 364, 365, 173, 205 WG, 211 H, 214; 76/82, 83, 85; 29/78-90

References Cited

U.S. PATENT DOCUMENTS

- D. 152,011 12/1948 McGoey ..... D8/91
- D. 216,358 12/1963 Gagne ..... D8/91
- D. 219,726 1/1971 van Horn ..... D8/91

- D. 248,210 6/1978 Dill ..... D8/91
- D. 285,042 8/1986 Sparks ..... D8/91
- D. 295,142 4/1988 Patrick ..... D8/91
- D. 297,209 8/1988 Cohen ..... D8/91
- 573,364 12/1896 Simonds ..... 51/371
- 2,635,397 4/1953 Baron ..... 51/205 WG
- 3,436,870 4/1969 Sellman ..... D8/91 X
- 3,899,942 8/1975 Bradbury ..... D8/91 X

Primary Examiner—Bruce W. Dunkins  
Assistant Examiner—Martha Thompson  
Attorney, Agent, or Firm—Brady, O'Boyle & Gates

[57] CLAIM

The ornamental design for a ski sharpener, as shown and described.

DESCRIPTION

FIG. 1 is a right rear perspective view of a ski sharpener showing my new design;  
FIG. 2 is a left front perspective view;  
FIG. 3 is a bottom plan view;  
FIG. 4 is a top plan view; and  
FIG. 5 is an end elevational view, the opposite end being a mirror image thereof.

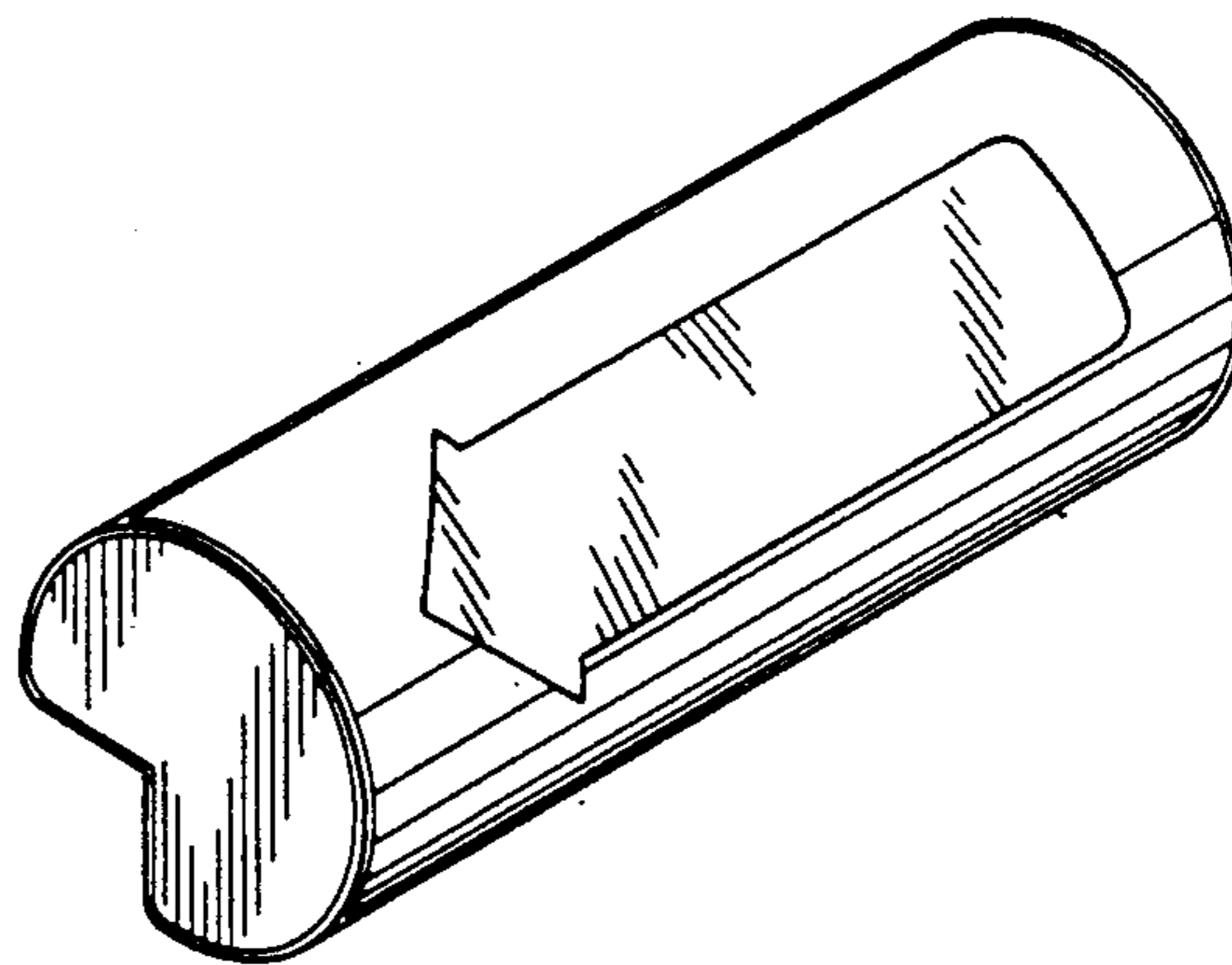
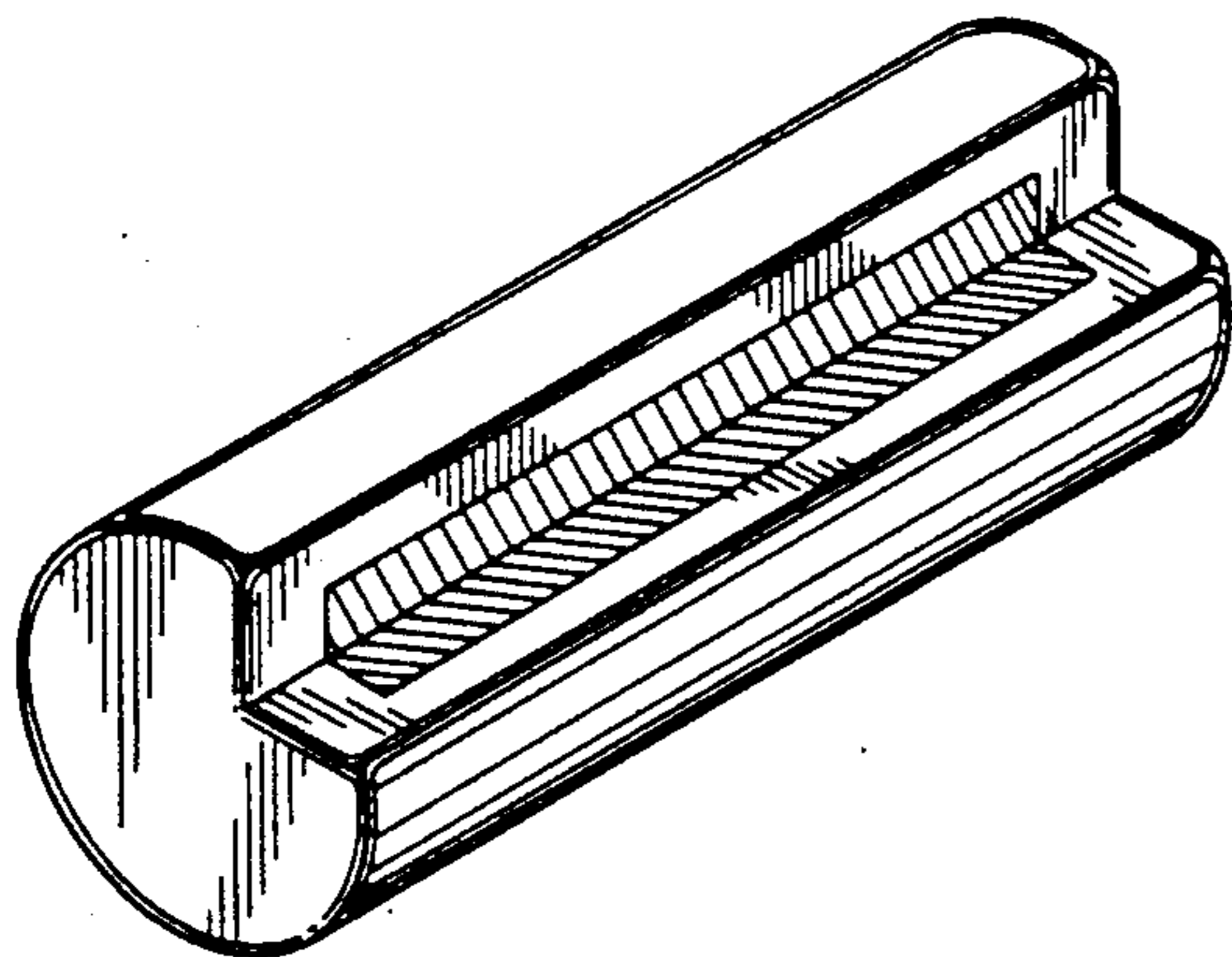


FIG. 1

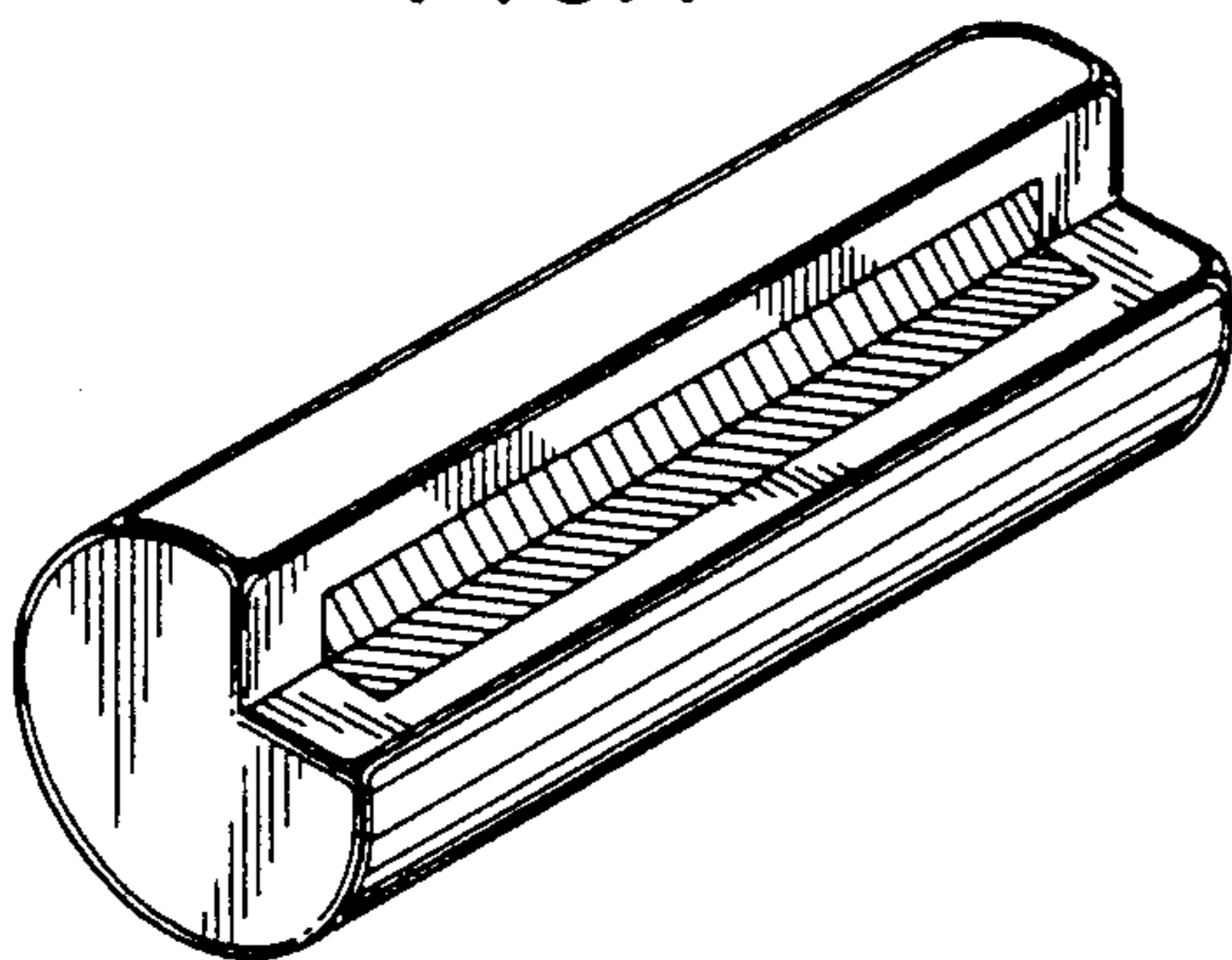


FIG. 2

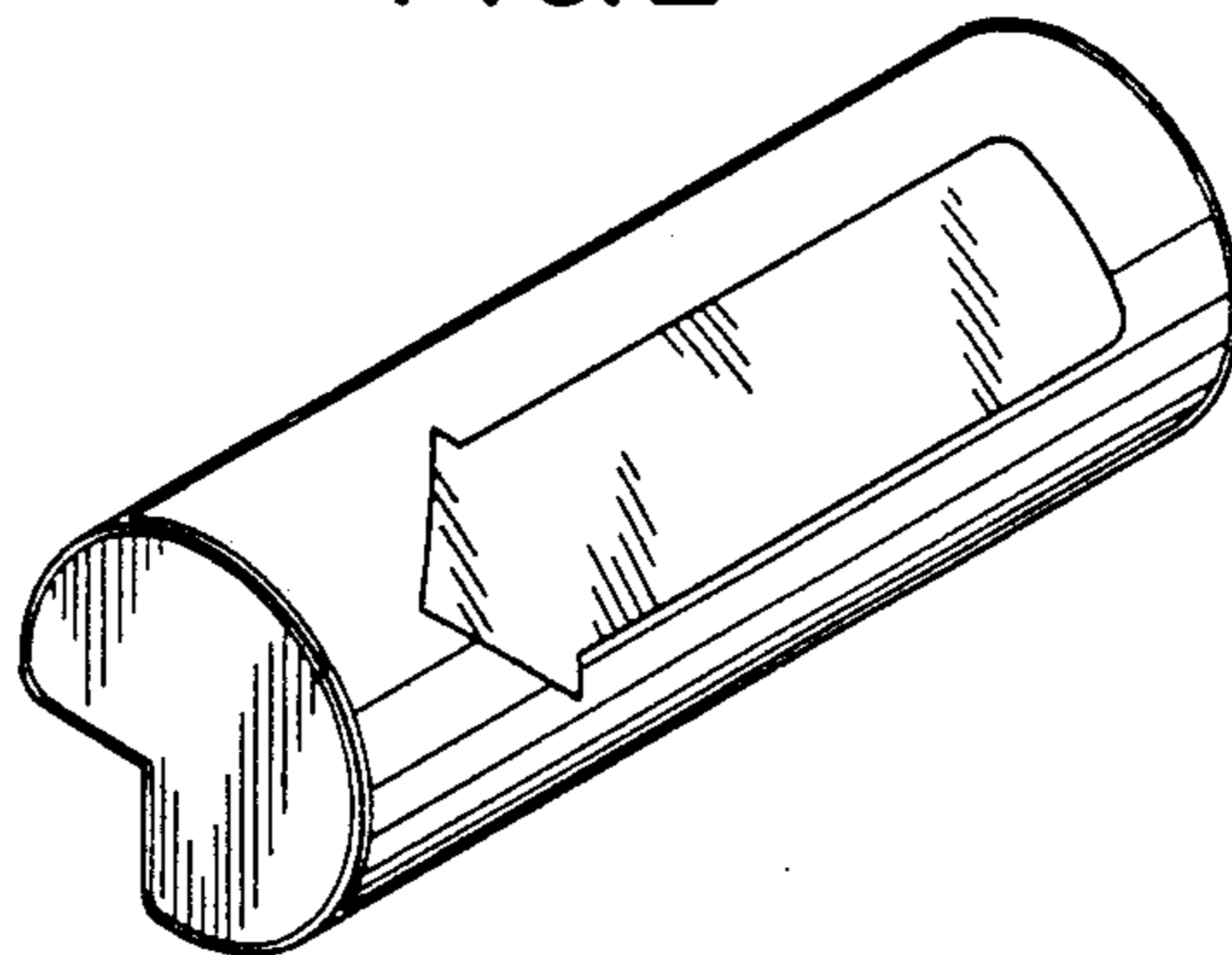


FIG. 3

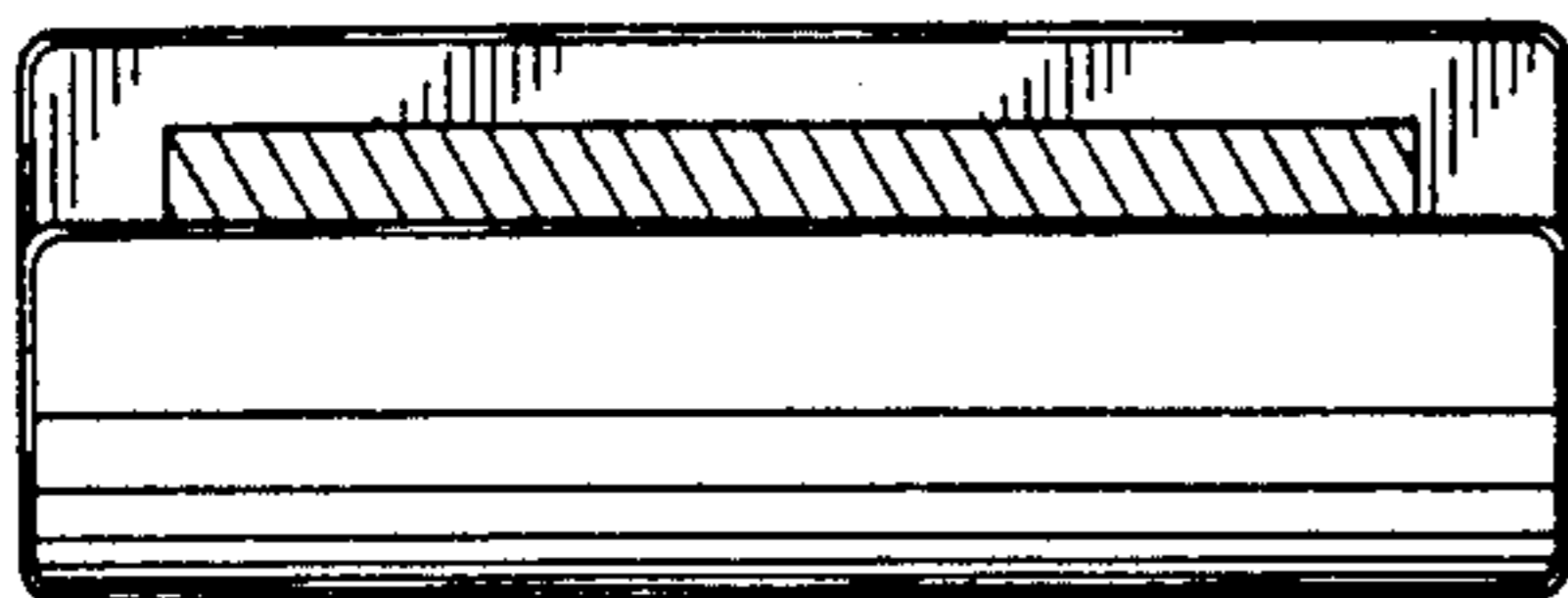


FIG. 4

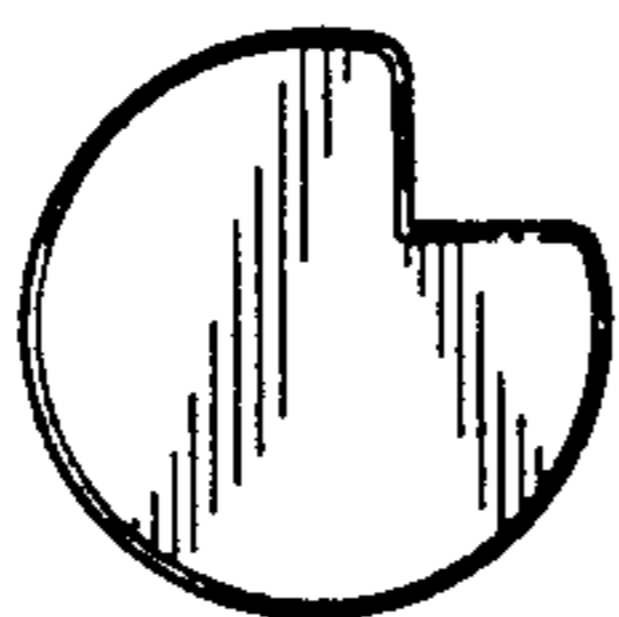
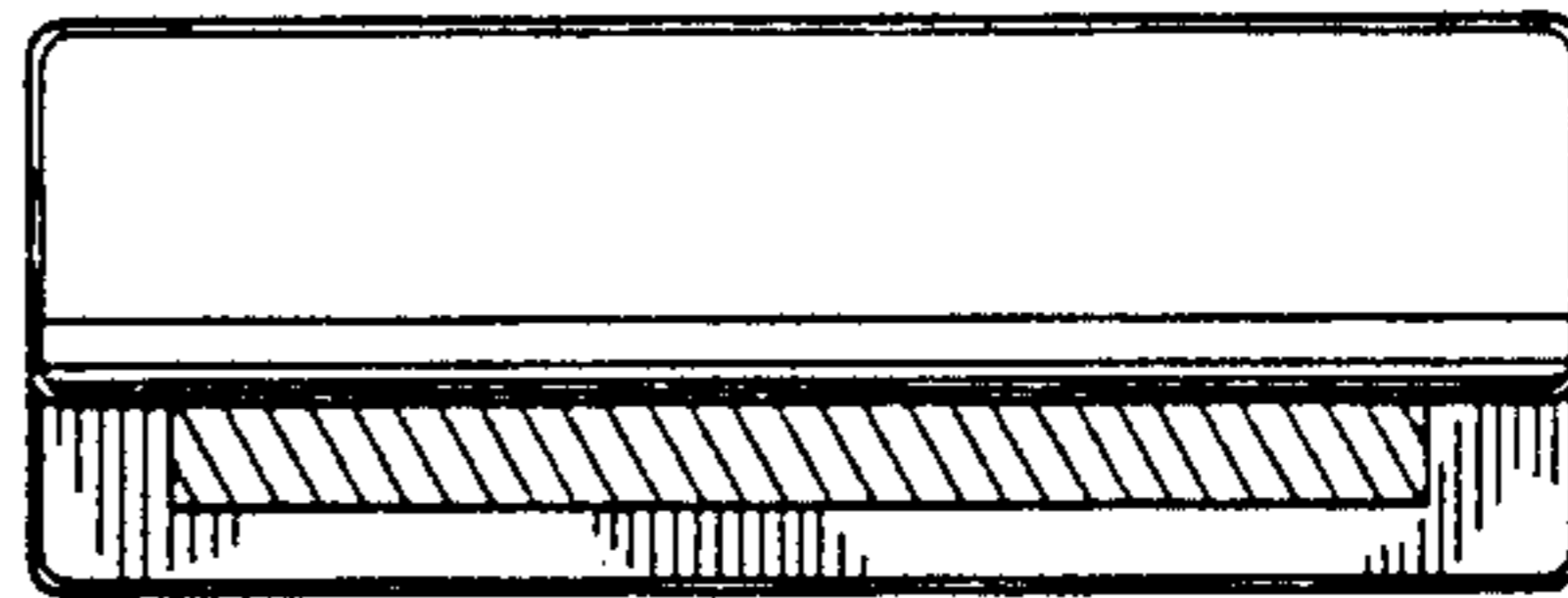


FIG. 5