

[54] STAPLER

[75] Inventor: Lars-Göran Rosenblad, Huskvarna, Sweden

[73] Assignee: Isaberg AB, Hestra, Sweden

[**] Term: 14 Years

[21] Appl. No.: 447,117

[22] Filed: Dec. 7, 1989

[30] Foreign Application Priority Data

Jun. 7, 1989 [DE] Fed. Rep. of Germany 891385

[52] U.S. Cl. D8/50

[58] Field of Search D8/49, 50; 227/107, 227/110, 120, 126-128, 132

[56] References Cited

U.S. PATENT DOCUMENTS

D. 213,651 3/1969 Crotti et al. D8/49
D. 305,605 1/1990 Ebihara D8/50

Primary Examiner—Terry A. Pfeffer
Attorney, Agent, or Firm—Shapiro and Shapiro

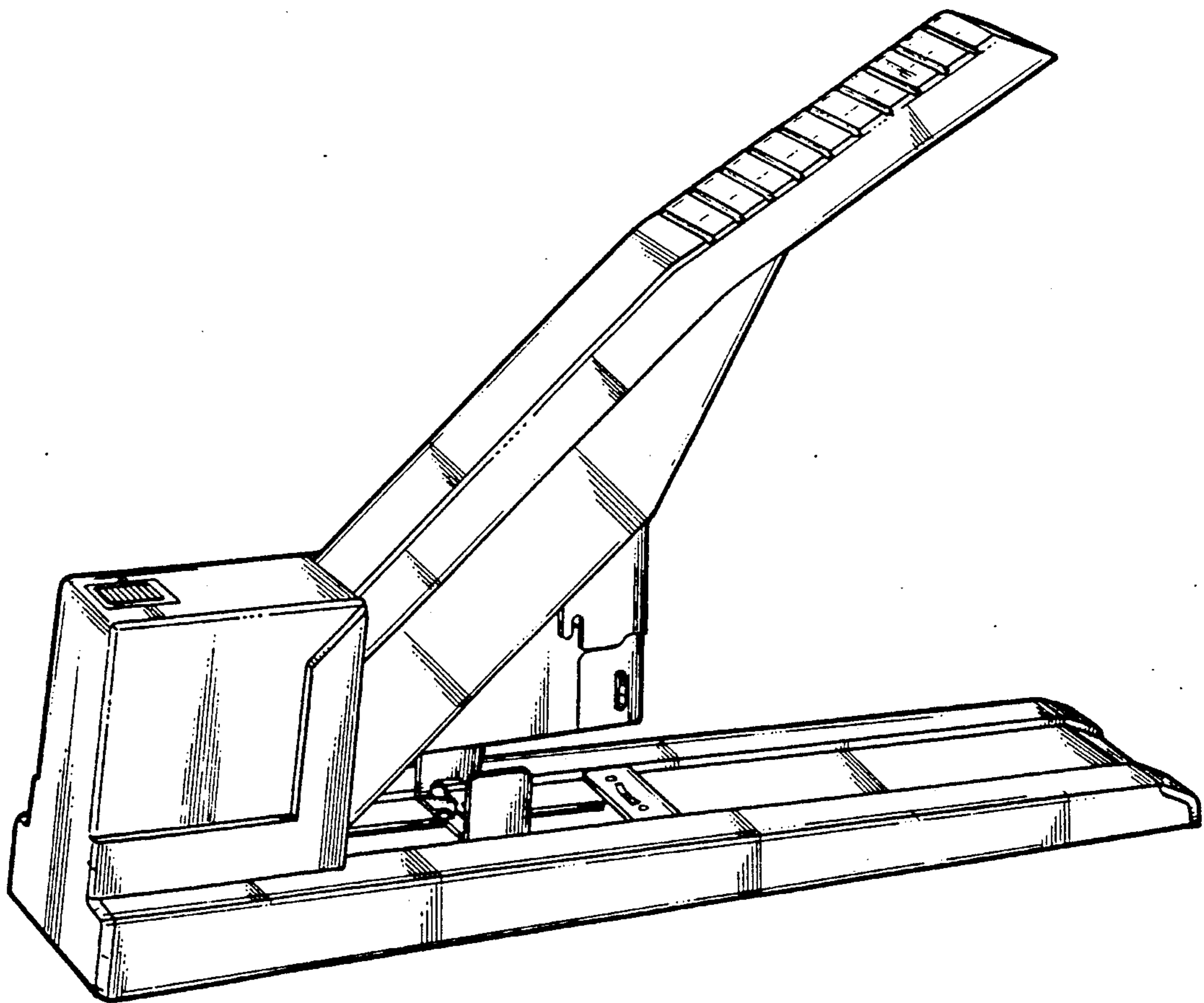
[57] CLAIM

The ornamental design for a stapler, as shown and described.

DESCRIPTION

FIG. 1 is a top, rear, right side perspective view of a stapler showing my new design;
FIG. 2 is a top, front, left side perspective view thereof;
and
FIG. 3 is a bottom, rear, left side perspective view thereof.

Other views of my new design are as shown in corresponding Swedish Design Application No. 89-1385, filed June 7, 1989, and incorporated herein by reference.



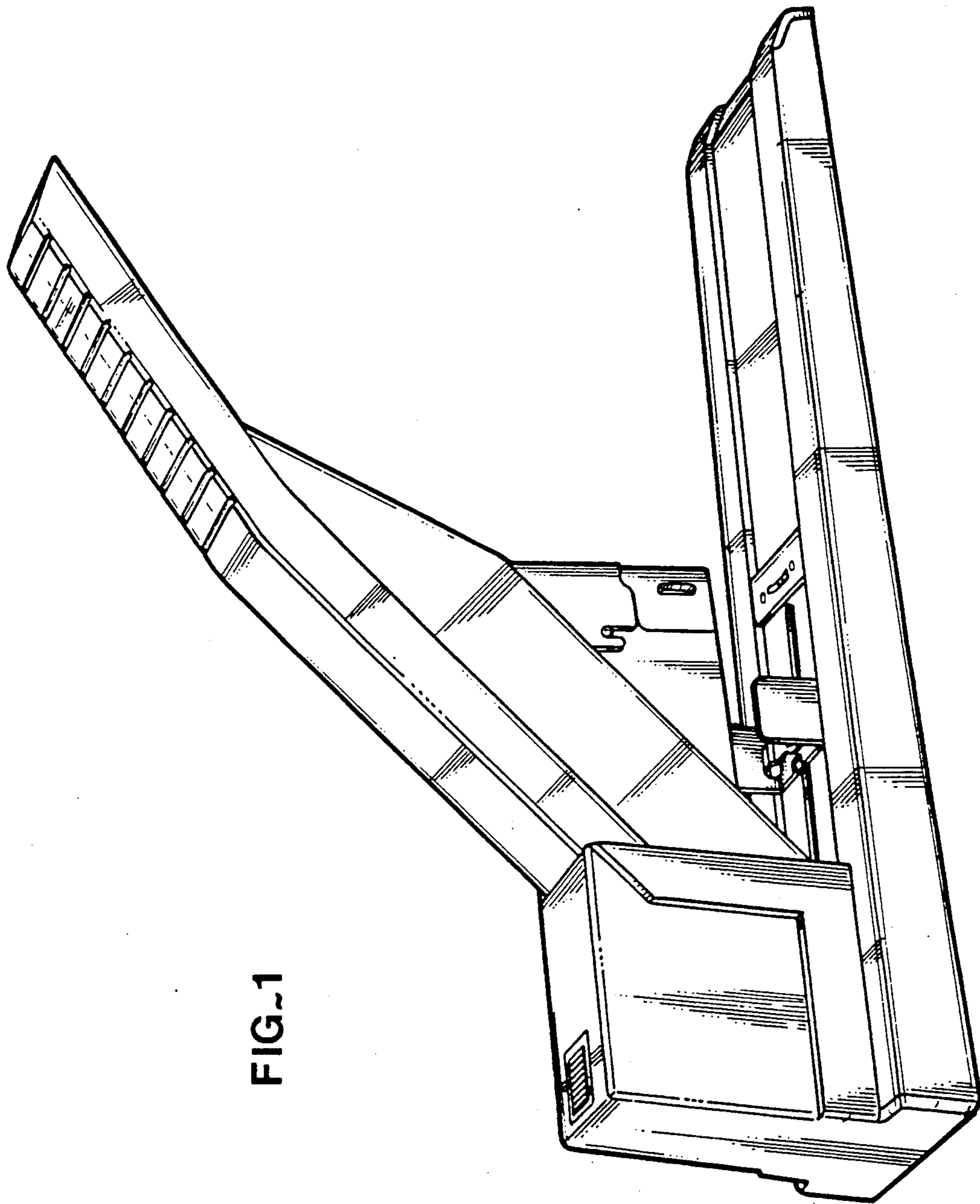


FIG-1

FIG. 2

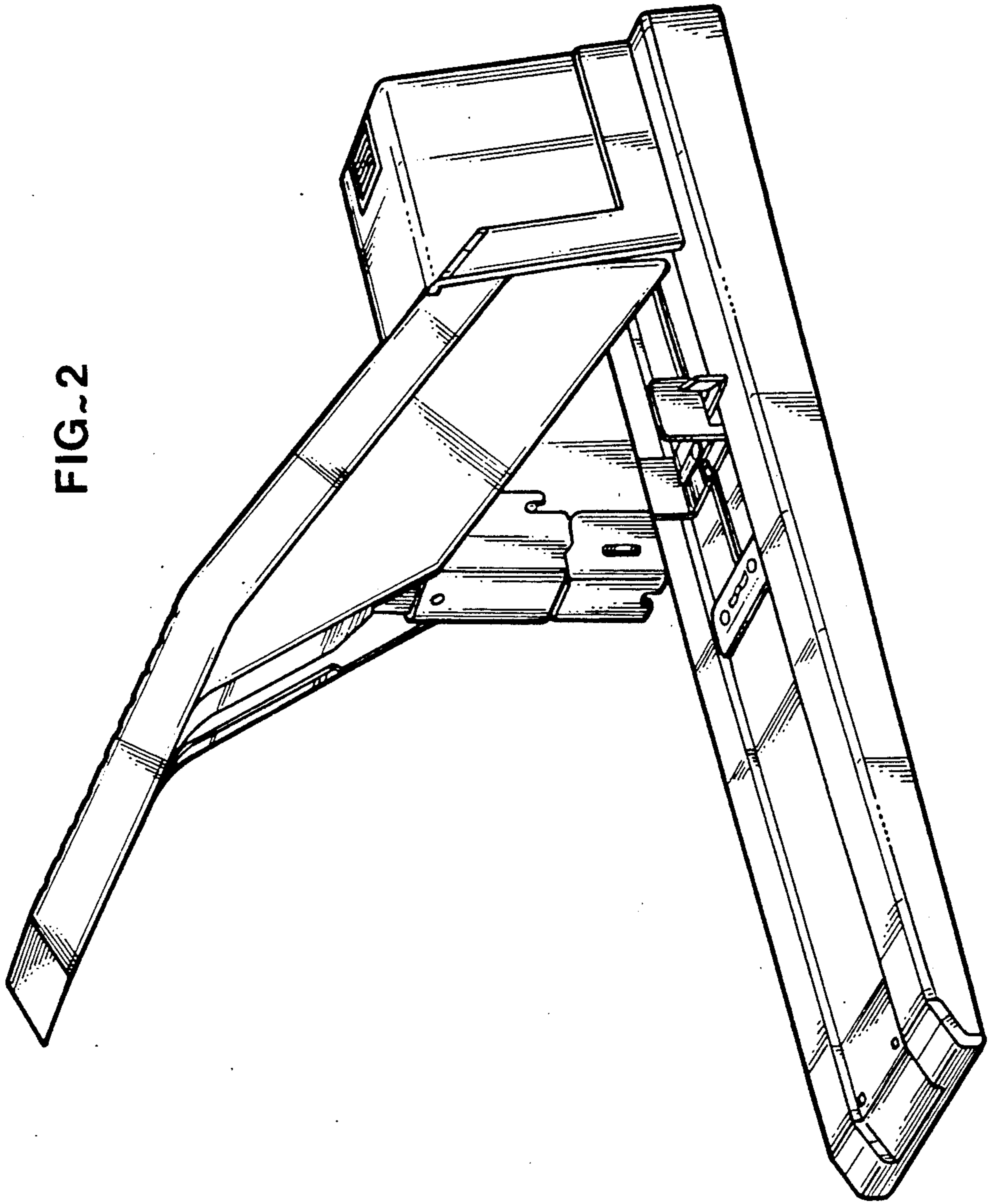


FIG. 3

