

[54] SNAIL BARRIER UNIT

[76] Inventor: Michael D. Perry, 5541 Oakleaf Cir., Placerville, Calif. 95667

[**] Term: 14 Years

[21] Appl. No.: 385,480

[22] Filed: Jul. 27, 1989

[52] U.S. Cl. D8/1

[58] Field of Search D8/1; 43/108; 116/22 A

[56] References Cited

U.S. PATENT DOCUMENTS

45,087	11/1864	Seymour	43/108
49,440	8/1865	Sanford	43/108
220,481	10/1879	Loring	43/108
983,114	1/1911	Barry	43/108
1,863,672	6/1932	Repp	43/108
2,011,405	8/1935	Giliasso	43/108 X
4,756,116	7/1988	Cutter	43/108

Primary Examiner—Susan J. Lucas

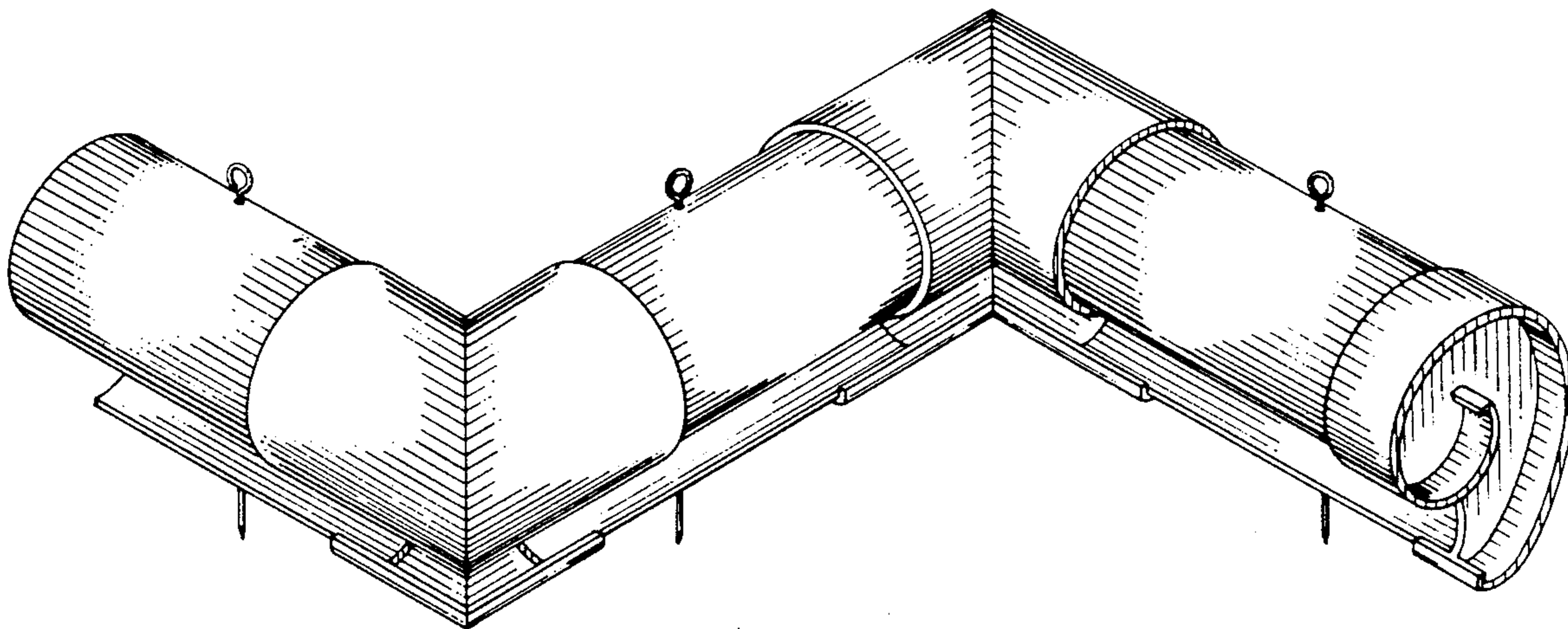
Assistant Examiner—Holly H. Baynham
Attorney, Agent, or Firm—Bernhard Kreten

[57] CLAIM

The ornamental design for a snail barrier unit, as shown and described.

DESCRIPTION

FIG. 1 is a perspective view of a snail barrier unit showing my new design;
 FIG. 2 is a rear perspective view of the main section;
 FIG. 3 is a front perspective view thereof;
 FIG. 4 is a front perspective view of the end cap;
 FIG. 5 is a rear perspective view thereof;
 FIG. 6 is a rear perspective view of the outside corner fitting;
 FIG. 7 is a front perspective view thereof;
 FIG. 8 is a rear perspective view of the inside corner fitting; and
 FIG. 9 is a front perspective view thereof;
 The components of the snail barrier unit are shown separately in FIGS. 2 to 9 for clarity of illustration only.



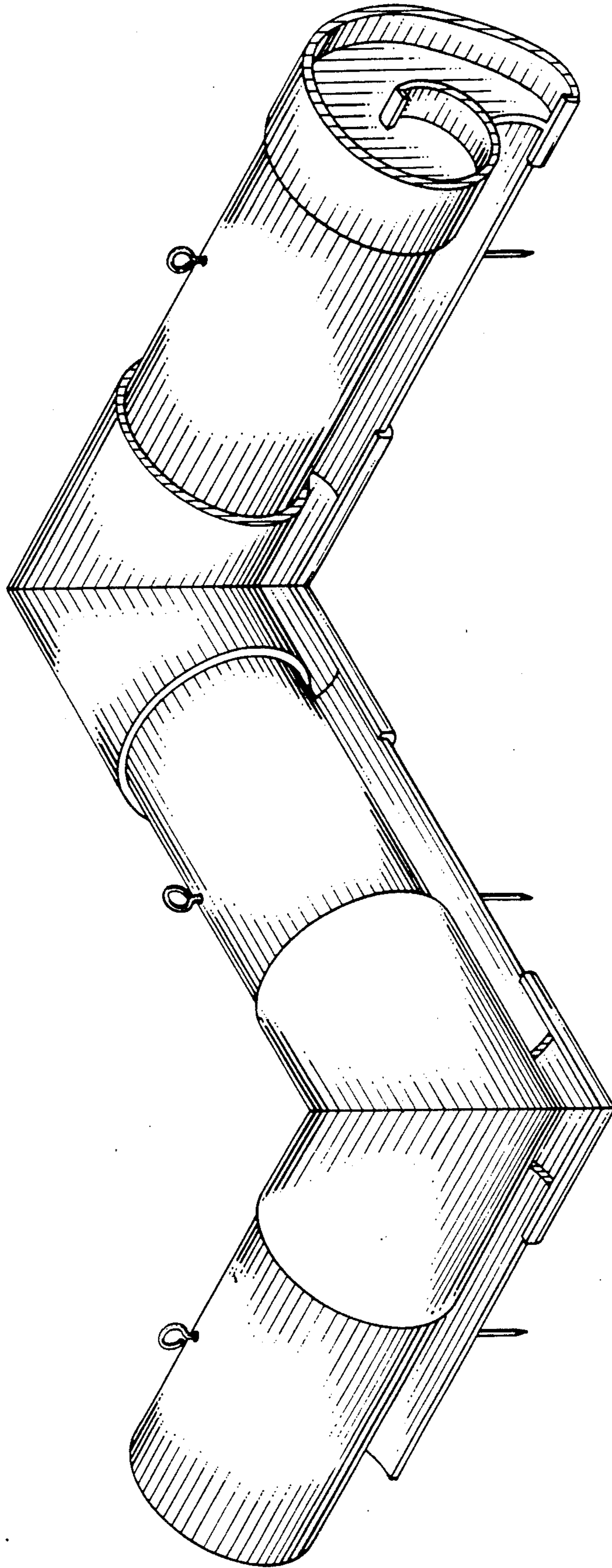


FIG. 1

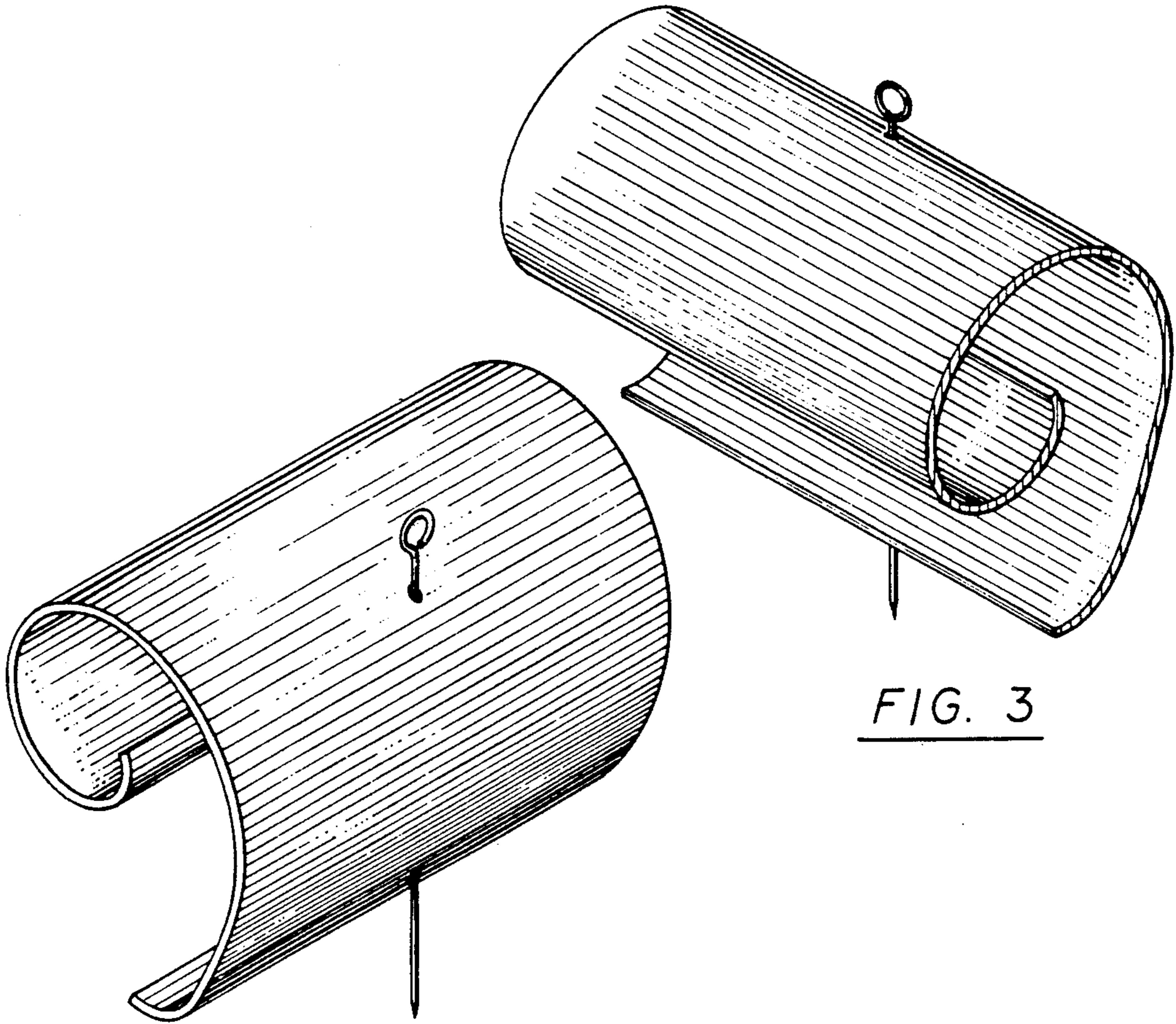


FIG. 2

FIG. 3

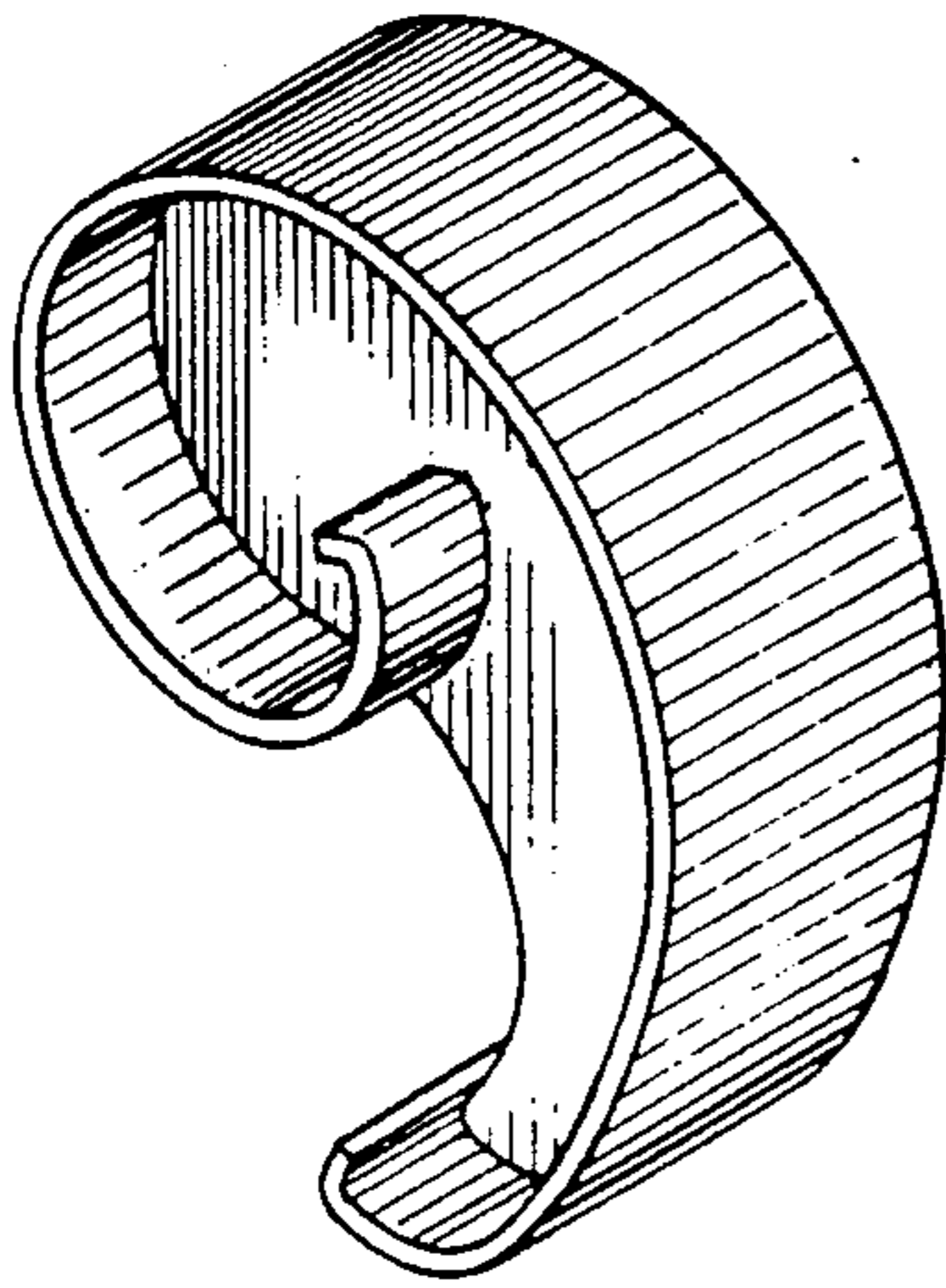


FIG. 5

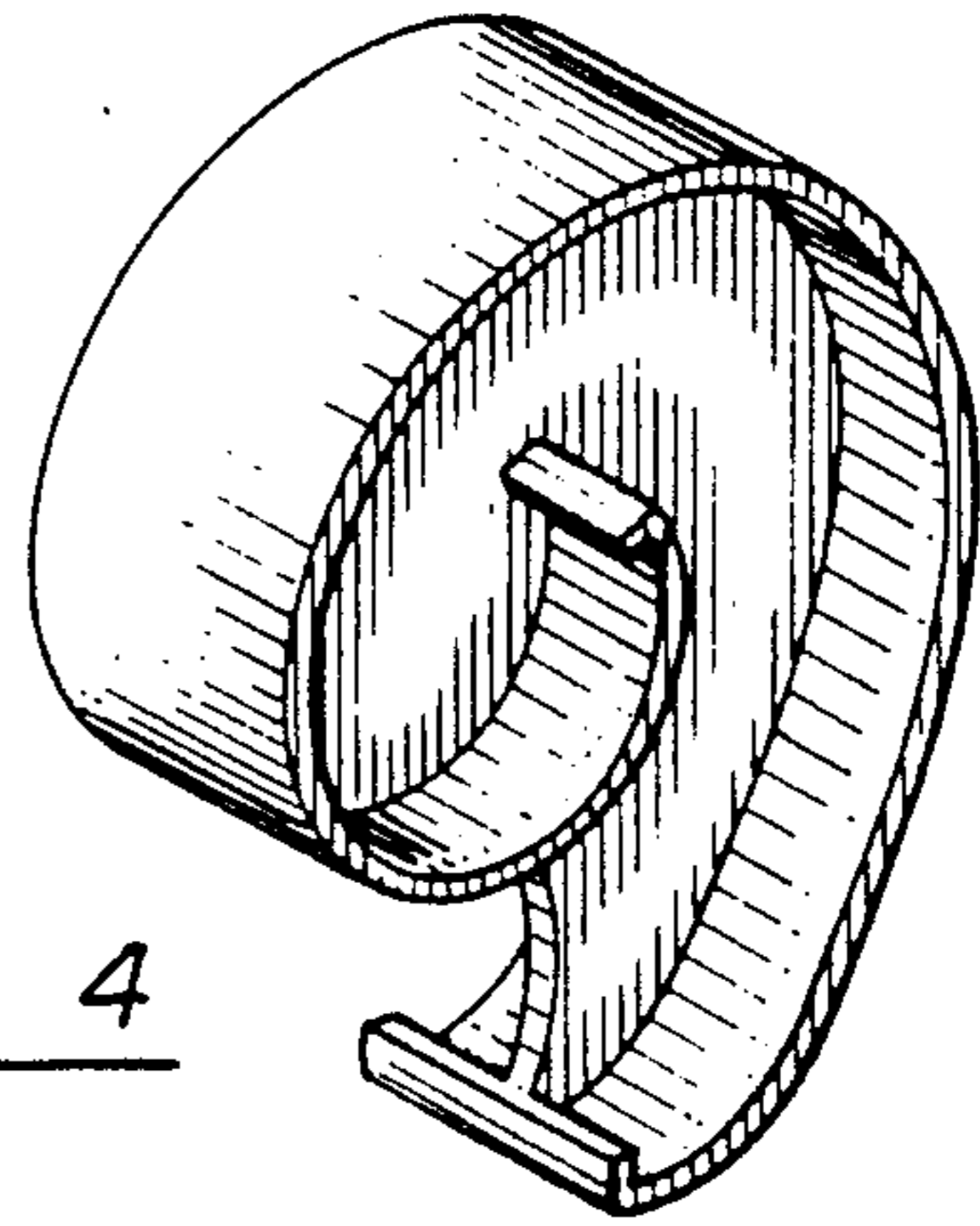


FIG. 4

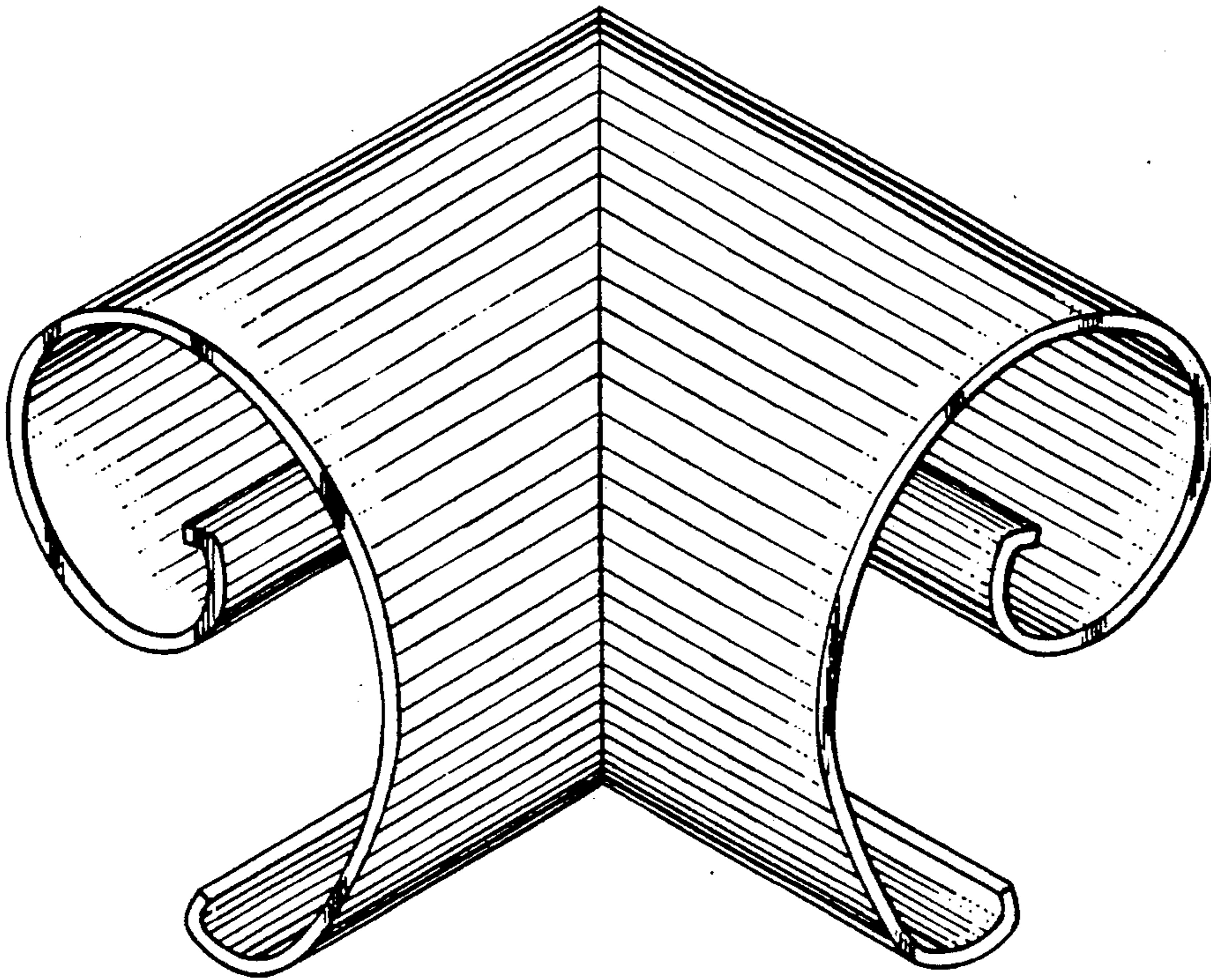


FIG. 6

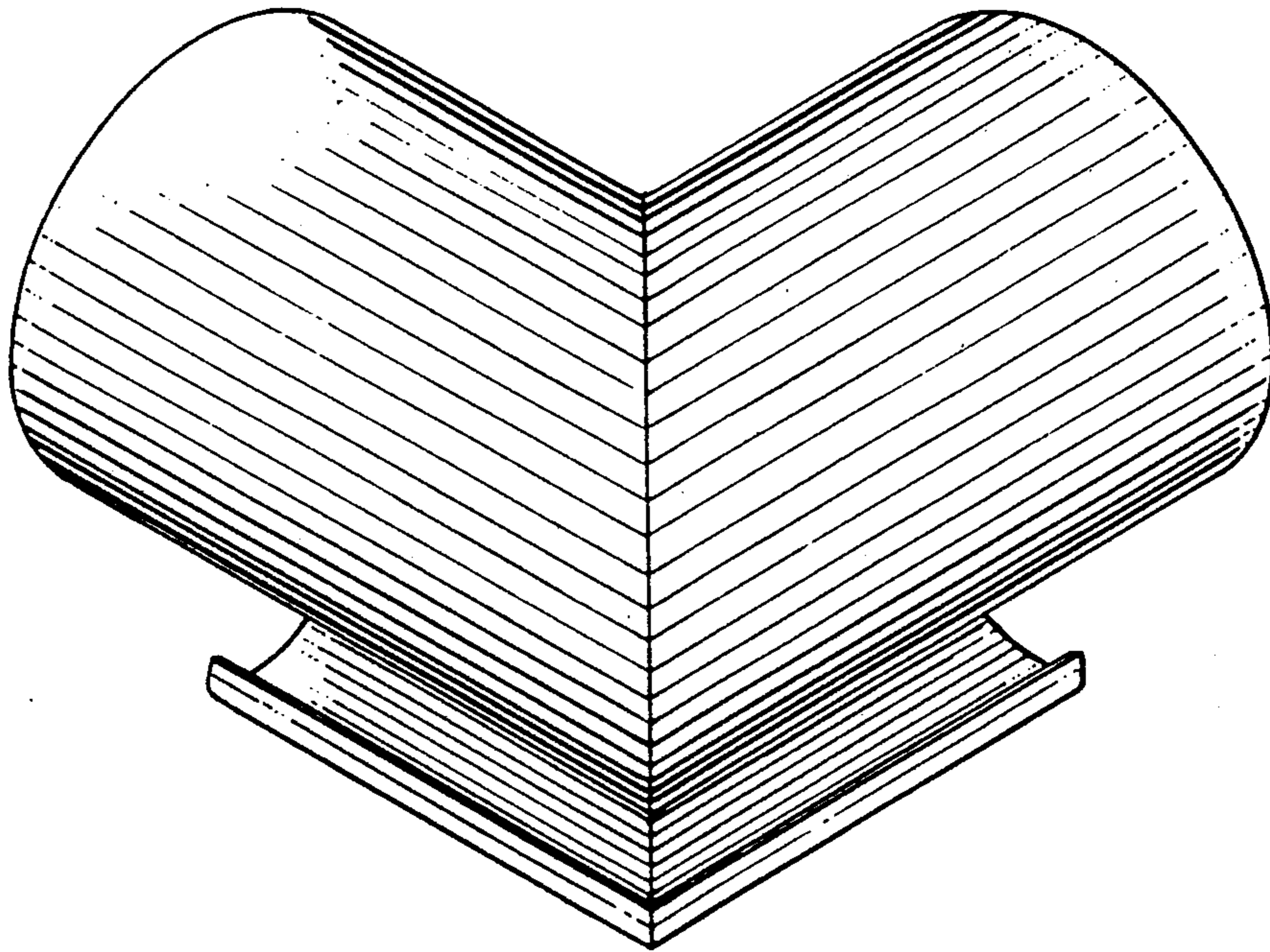


FIG. 7

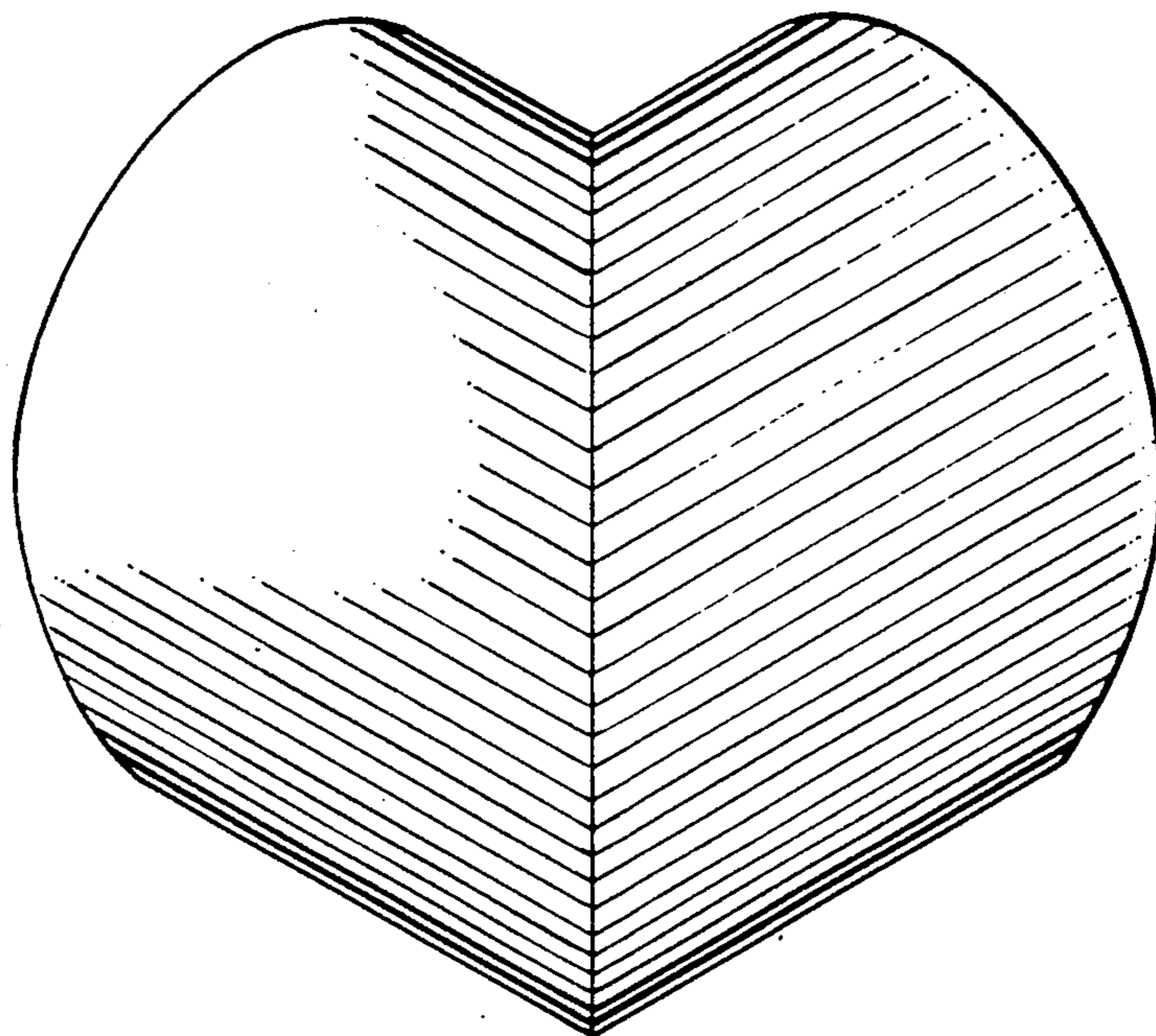


FIG. 8

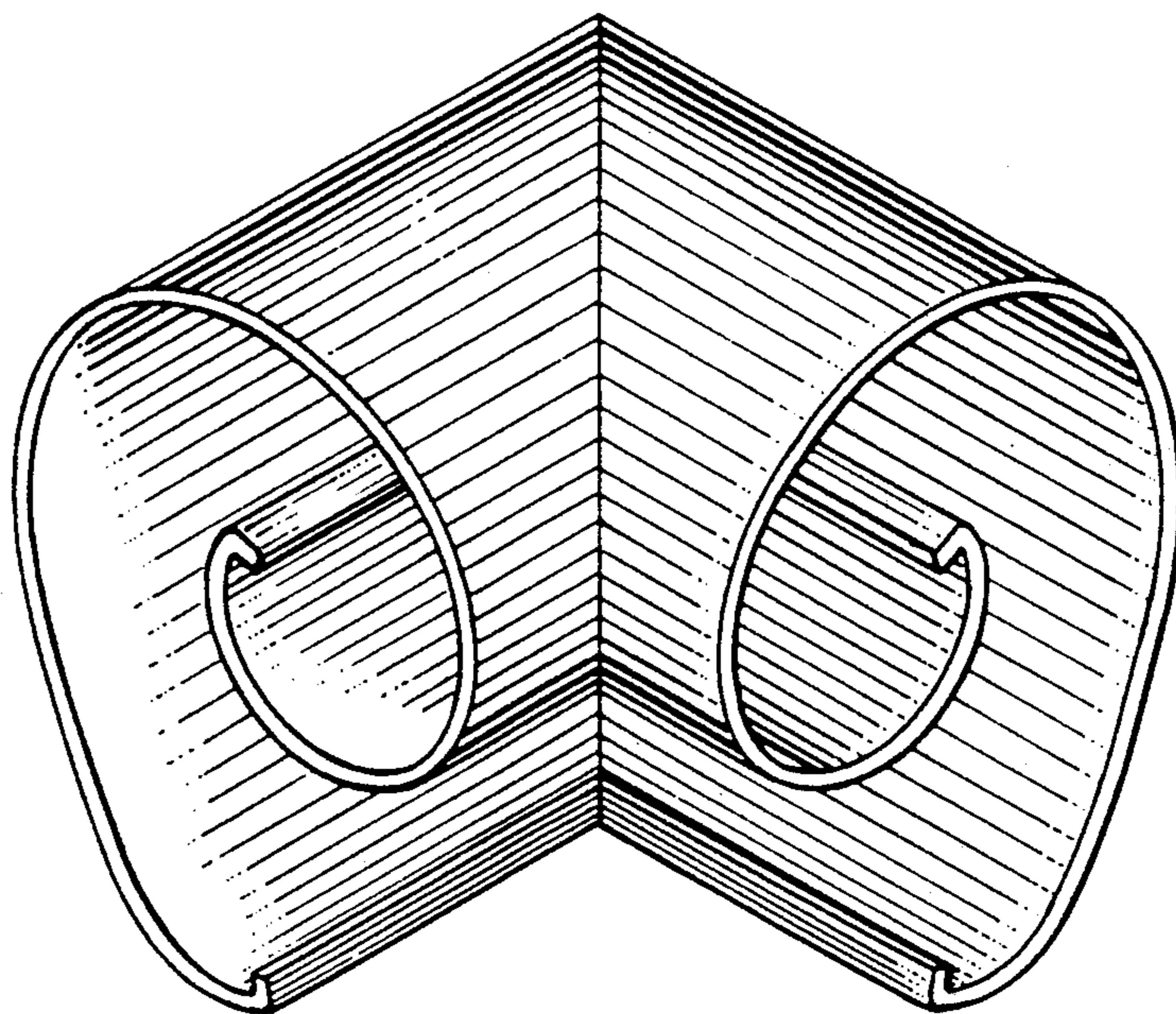


FIG. 9