

[54] FOOD MIXER

[76] Inventor: Richard K. Thomas, 807 Victoria La., Elk Grove Village, Ill. 60007

[**] Term: 14 Years

[21] Appl. No.: 303,774

[22] Filed: Jan. 25, 1989

[52] U.S. Cl. D7/379

[58] Field of Search D7/379, 380, 386, 412, D7/414, 415, 376

[56] References Cited

U.S. PATENT DOCUMENTS

D. 142,550	10/1945	Ford	D7/379
D. 147,207	7/1947	Preble, Jr.	D7/379
D. 170,130	8/1953	Moore	D7/379
D. 189,936	3/1961	Grange	D7/379
D. 291,271	8/1987	Wilson	D7/379

OTHER PUBLICATIONS

1986/87 Best Products Catalog, ©1986, p. 197, Item #19 Sunbeam Mixmaster ®Mixer Model 01096—middle panel far right.

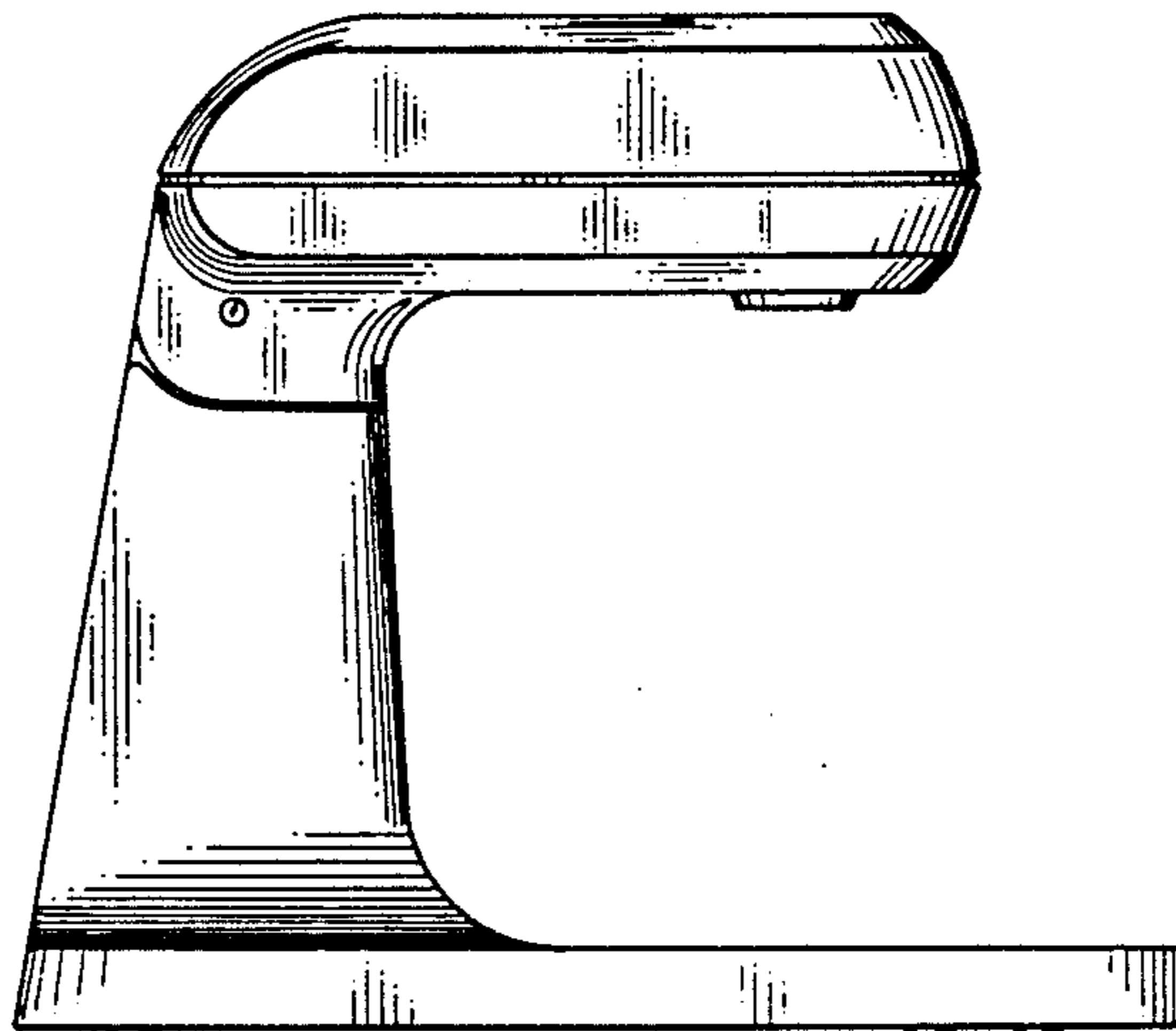
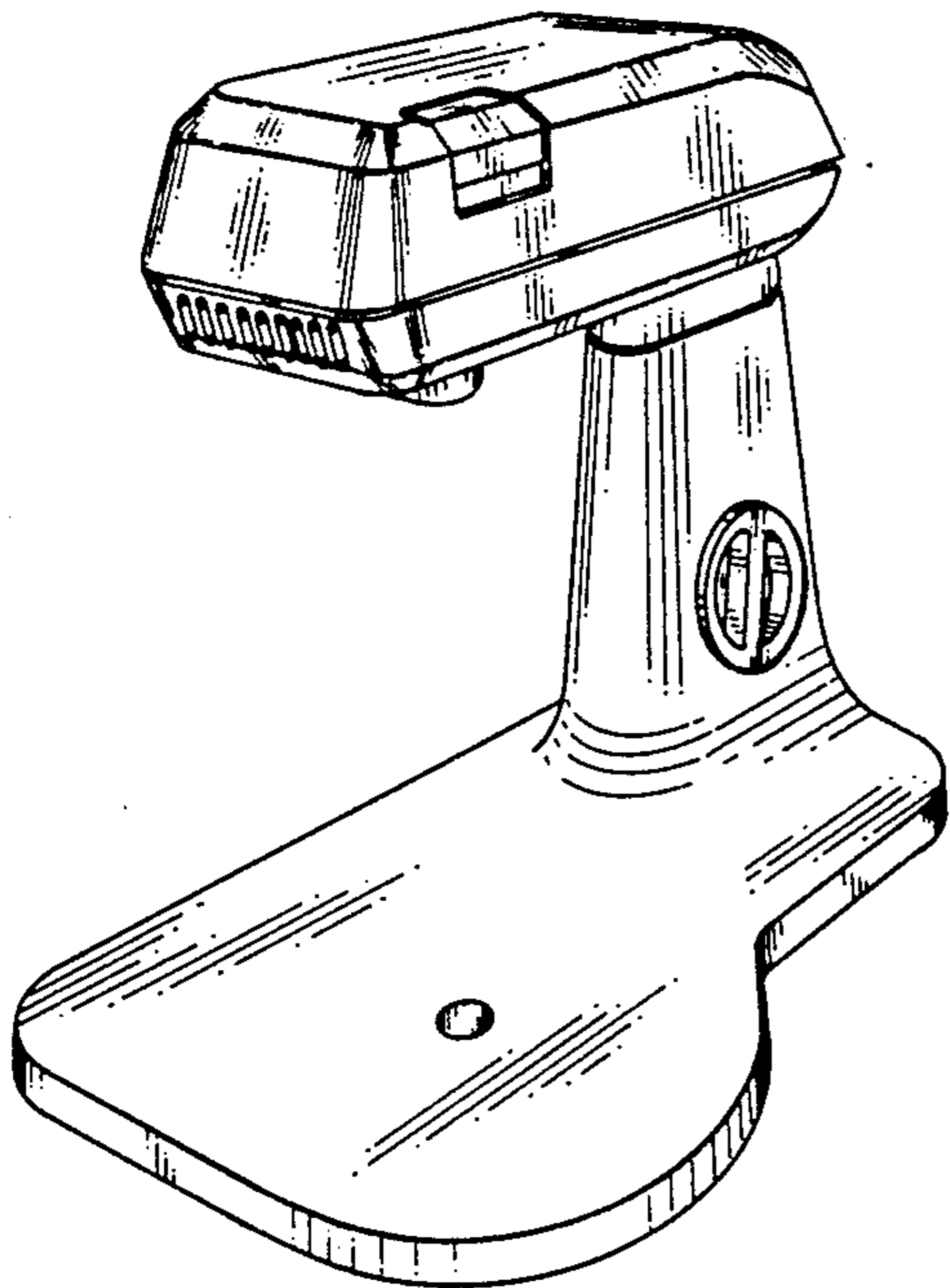
Primary Examiner—Winifred E. Herrmann

[57] CLAIM

The ornamental design for a food mixer, as shown.

DESCRIPTION

FIG. 1 is a top front and right side perspective view of a food mixer showing my new design; FIG. 2 is a top plan view thereof; FIG. 3 is a front elevational view thereof; FIG. 4 is a rear elevational view thereof; FIG. 5 is a right side elevational view thereof; FIG. 6 is a left side elevational view thereof; and FIG. 7 is a bottom plan view thereof.



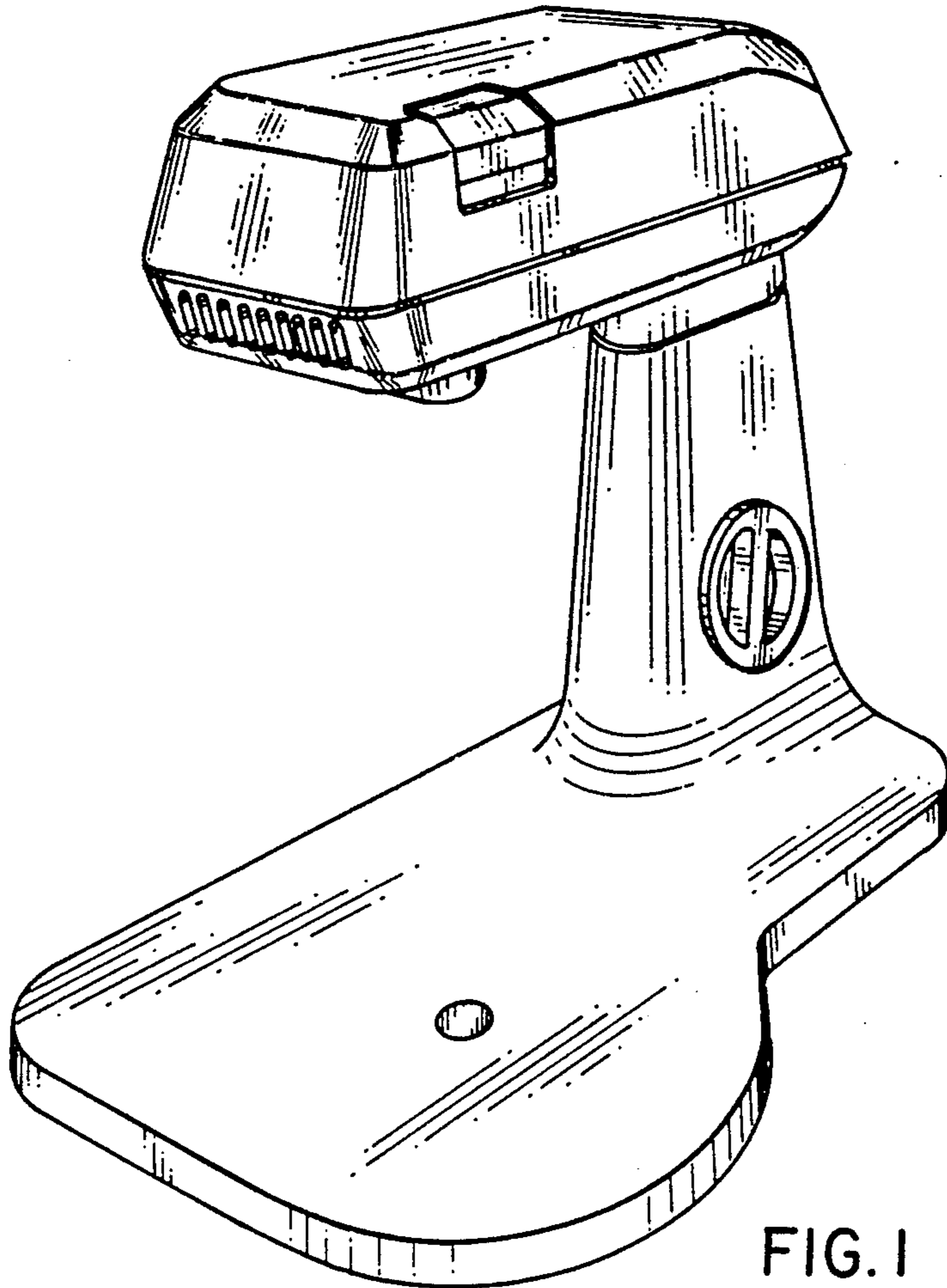


FIG. 1

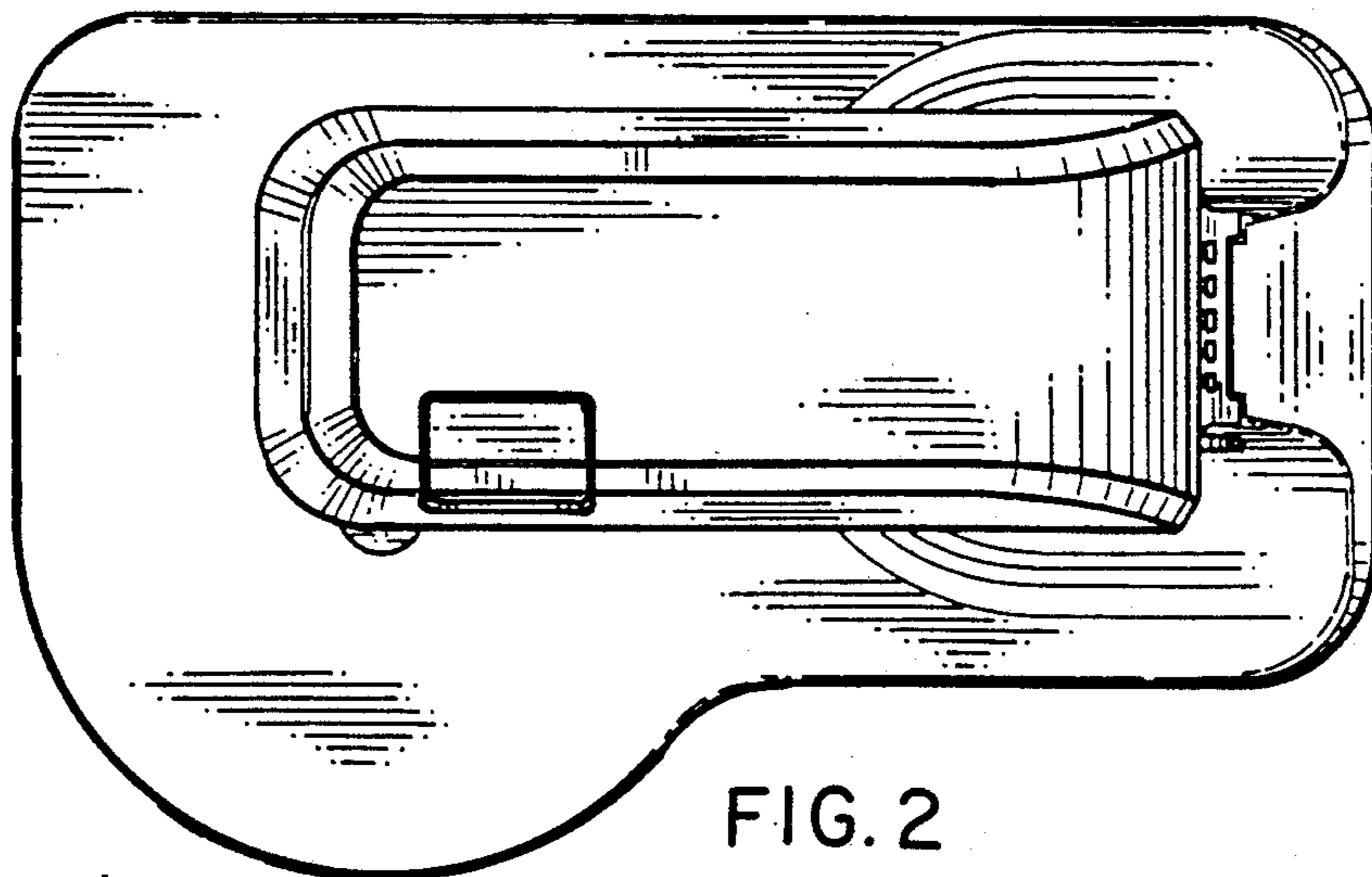


FIG. 2

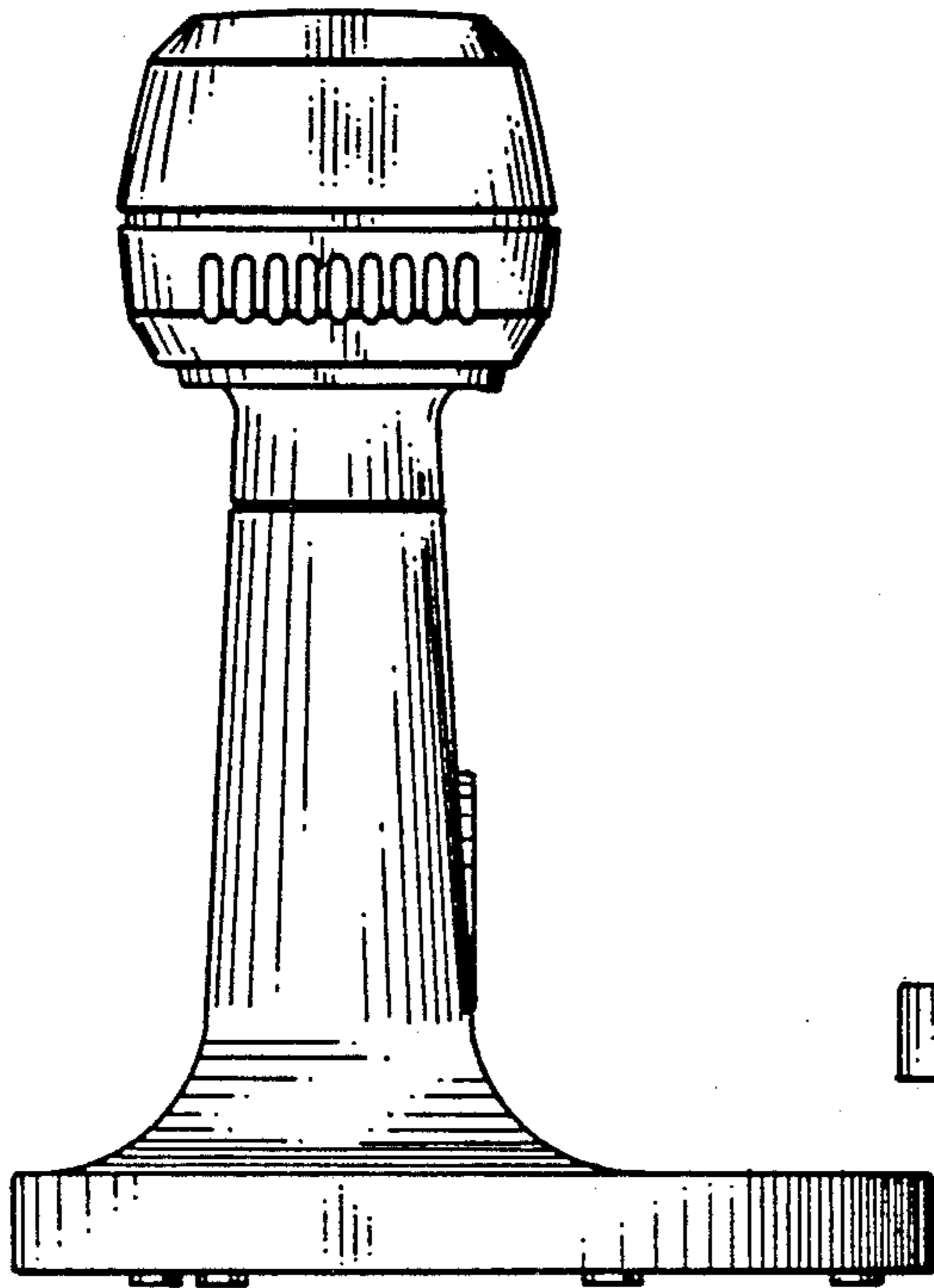


FIG. 3

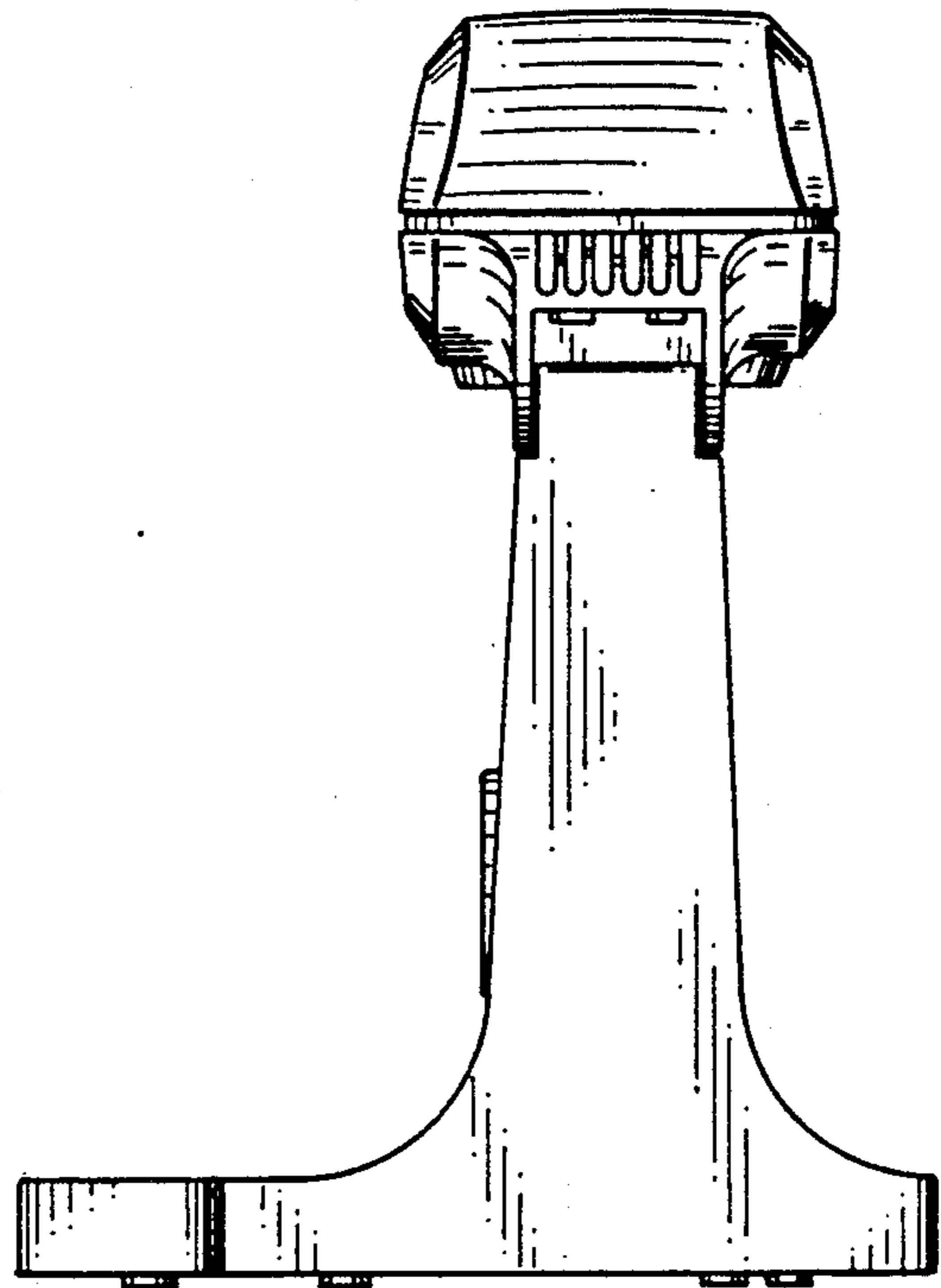


FIG. 4

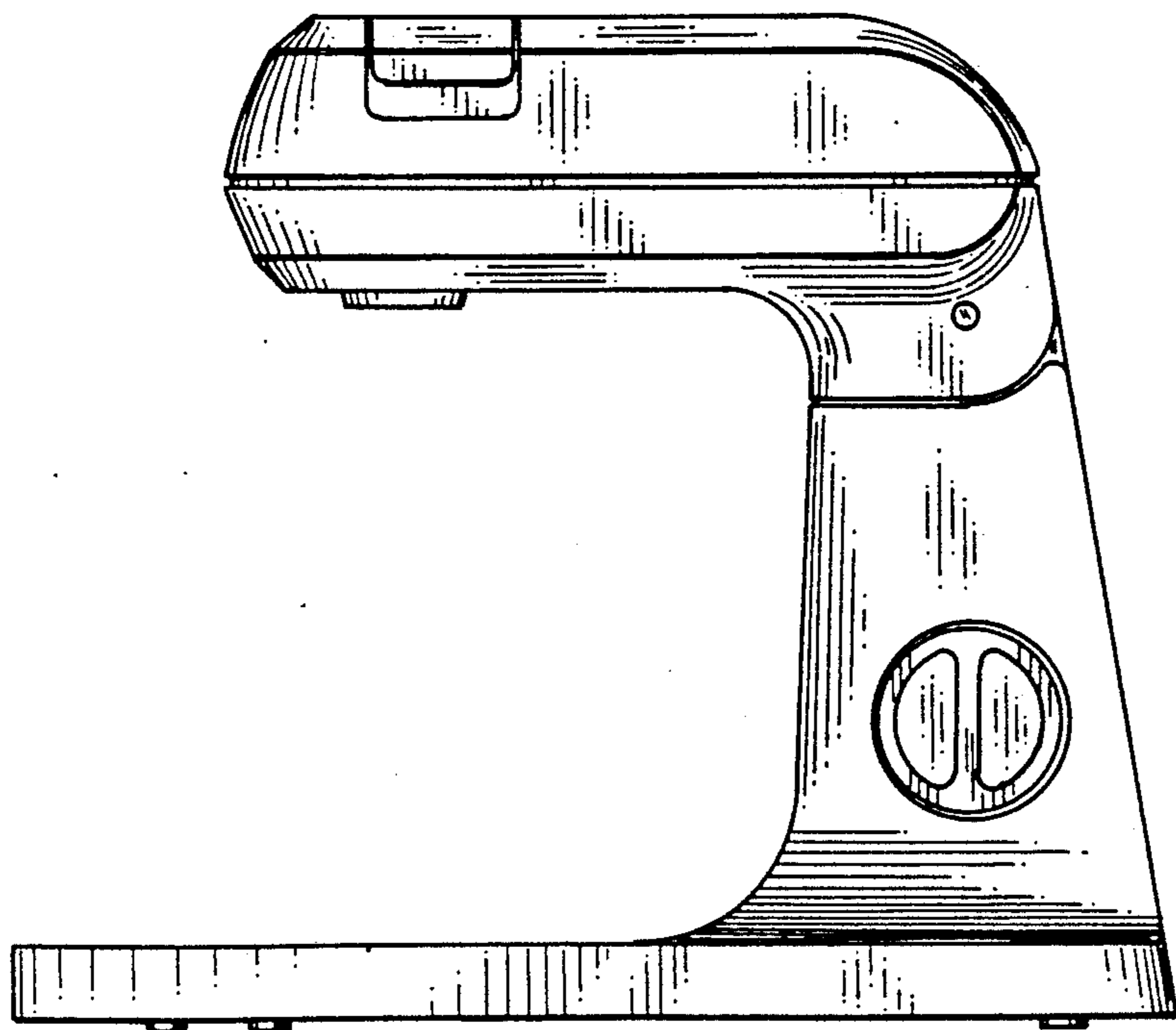


FIG. 5

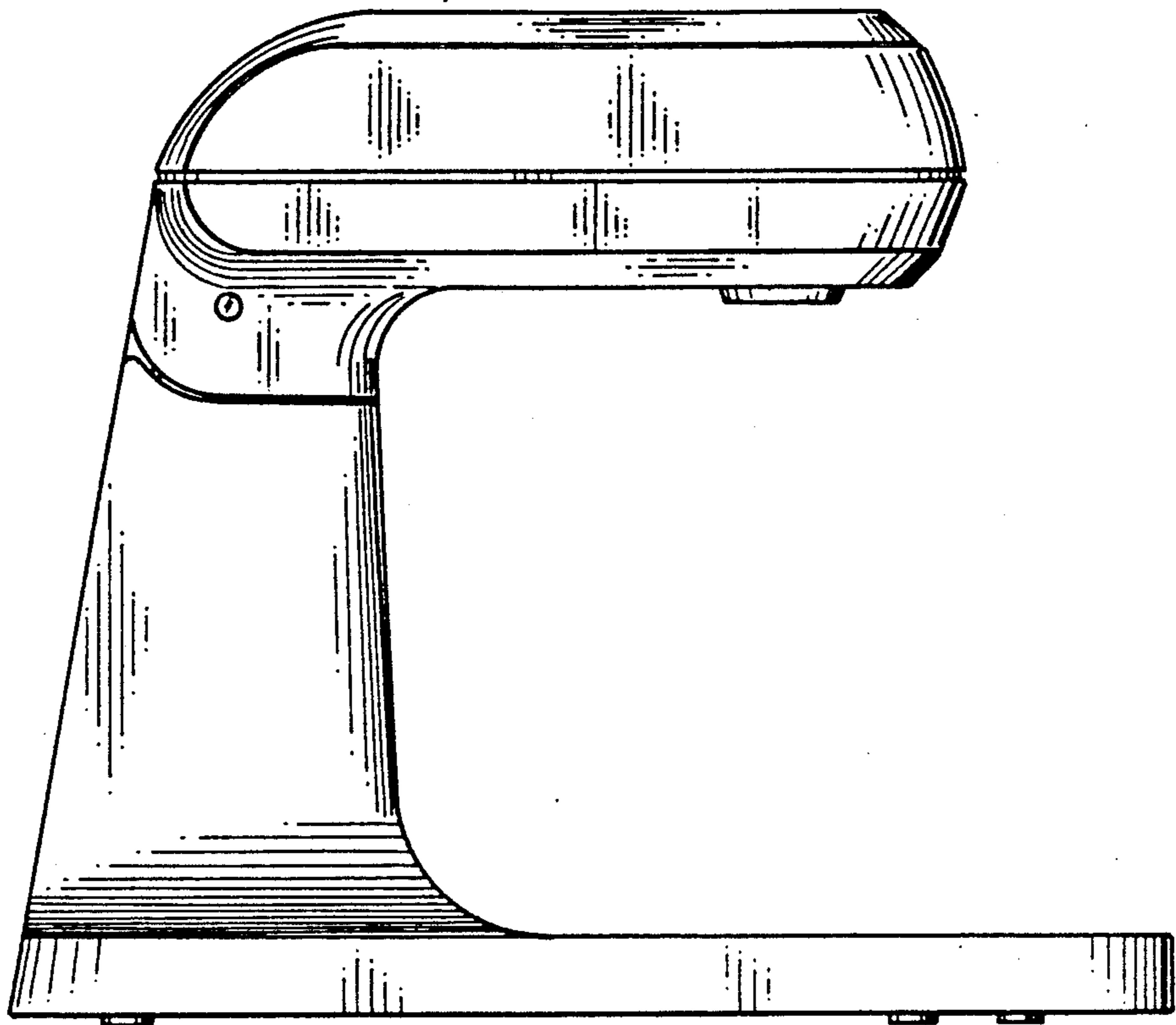


FIG. 6

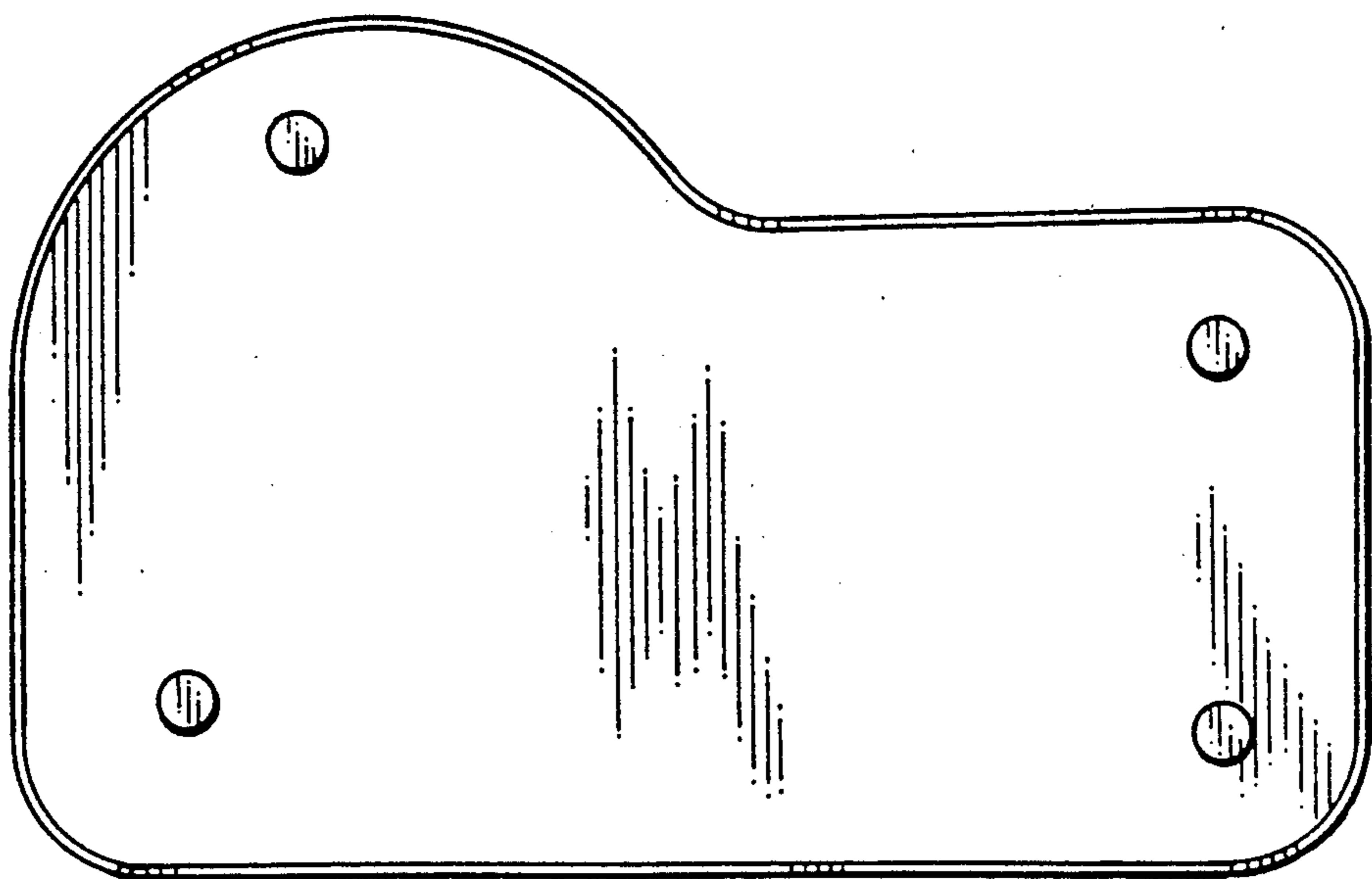


FIG. 7