

[54] VANITY TABLE

[75] Inventor: Peter M. Y. Kee, Happy Valley, Hong Kong

[73] Assignee: Rosalco, Inc., Jeffersonville, Ind.

[*] Notice: The portion of the term of this patent subsequent to Jul. 31, 2004 has been disclaimed.

[**] Term: 14 Years

[21] Appl. No.: 471,364

[22] Filed: Jan. 26, 1990

Related U.S. Application Data

[62] Division of Ser. No. 295,474, Jan. 10, 1989, Pat. No. Des. 309,063.

[52] U.S. Cl. D6/397; D6/444

[58] Field of Search D6/349, 355, 397, 399, D6/449, 444, 462, 464, 465, 477, 479, 480; 211/181; 312/223

[56] References Cited

U.S. PATENT DOCUMENTS

- D. 49,154 6/1916 Martin D6/355
- D. 73,611 10/1927 Katz D6/399

- D. 91,113 11/1933 Guild D6/399
- D. 134,390 11/1942 Waltman D6/479
- D. 233,050 10/1974 Young D6/449 X
- D. 302,217 7/1989 Keller D6/397

OTHER PUBLICATIONS

Best ©1986, p. 216; "Lee/Rowan Vanity Table", Item #1, top left on page.

Best ©1986, p. 216; "Contempo Brass-Plated Vanity Table", Item #6.

W. Bell & Co., 1987 catalog, p. 178; "Classic Vanity" Item #3.

Primary Examiner—Bruce W. Dunkins

Assistant Examiner—Jeffrey Asch

Attorney, Agent, or Firm—Rhodes, Coats & Bennett

[57] CLAIM

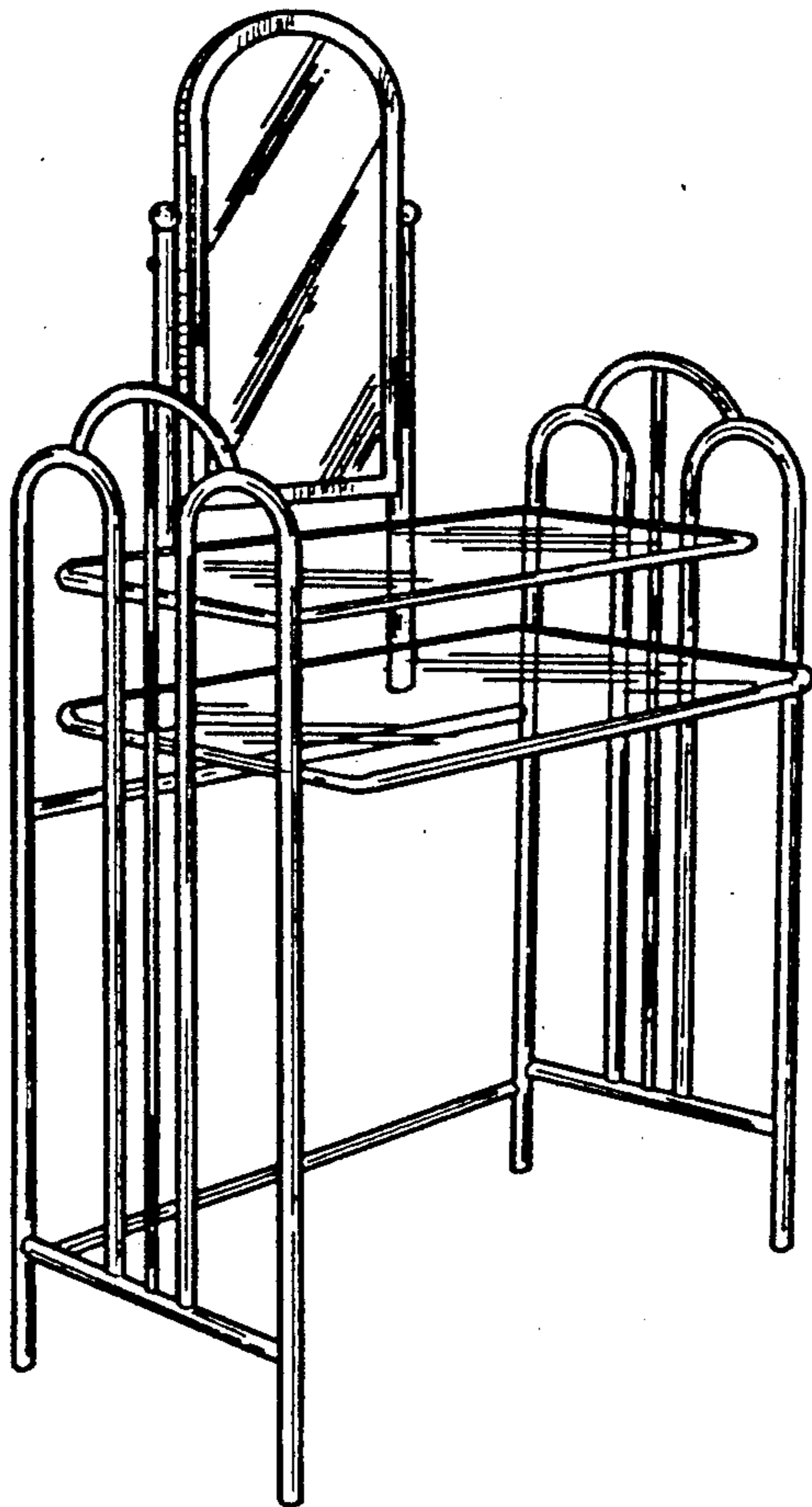
The ornamental design for a vanity table, as shown and described.

DESCRIPTION

FIG. 1 is a front perspective view of a vanity table showing my new design;

FIG. 2 is a rear perspective view of the vanity table of FIG. 1; and

FIG. 3 is a front elevational view of the vanity of FIG. 1.



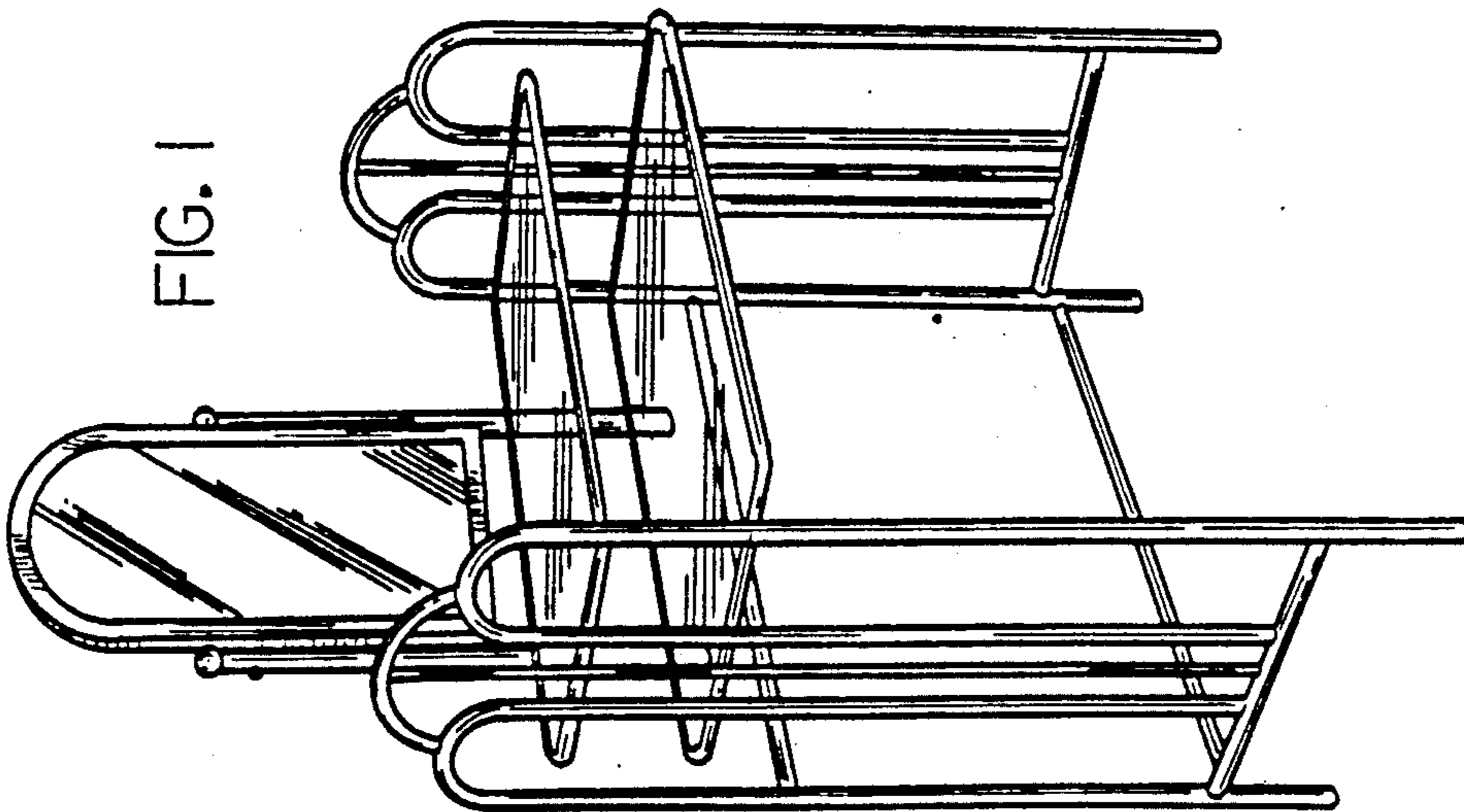


FIG. 1

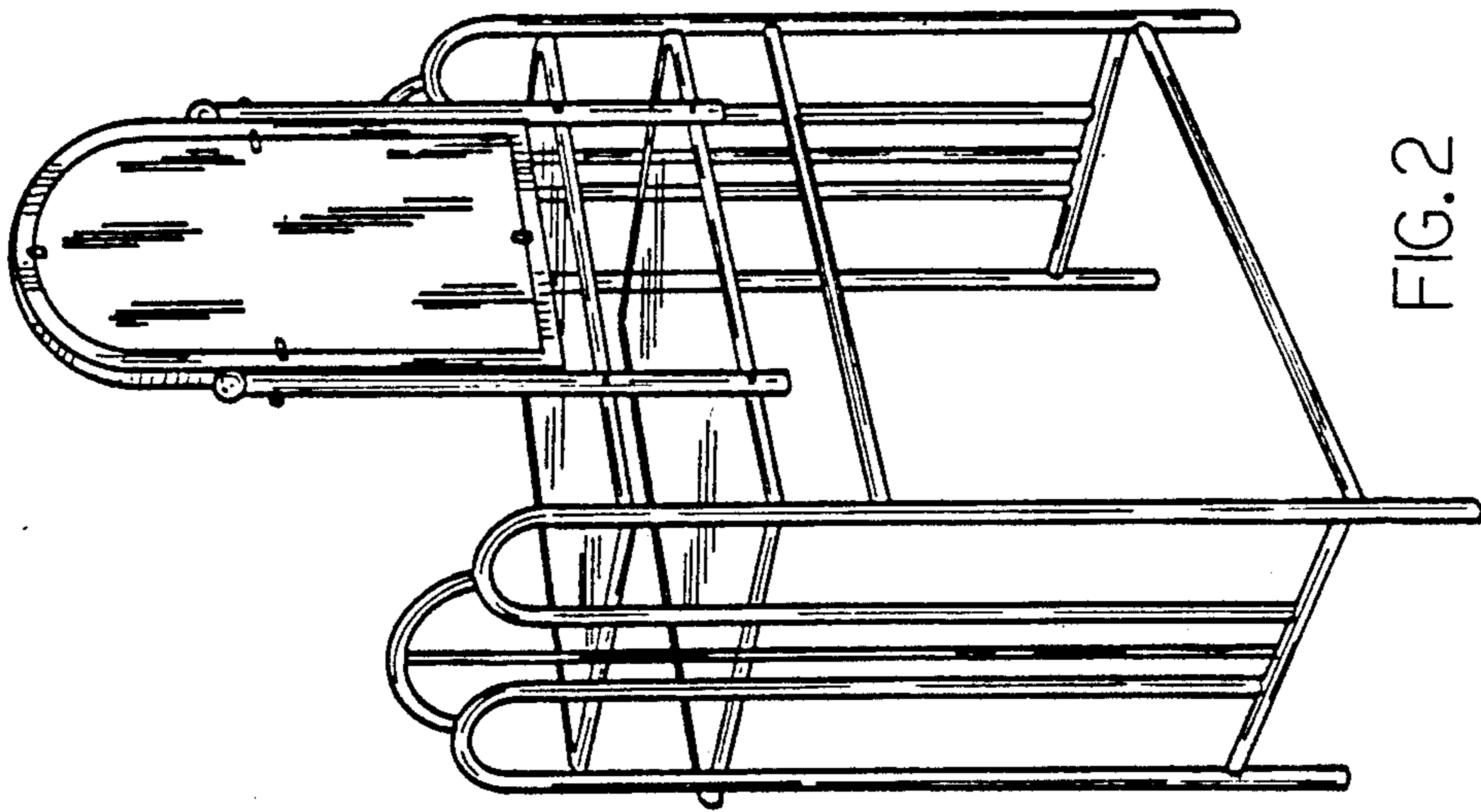


FIG. 2

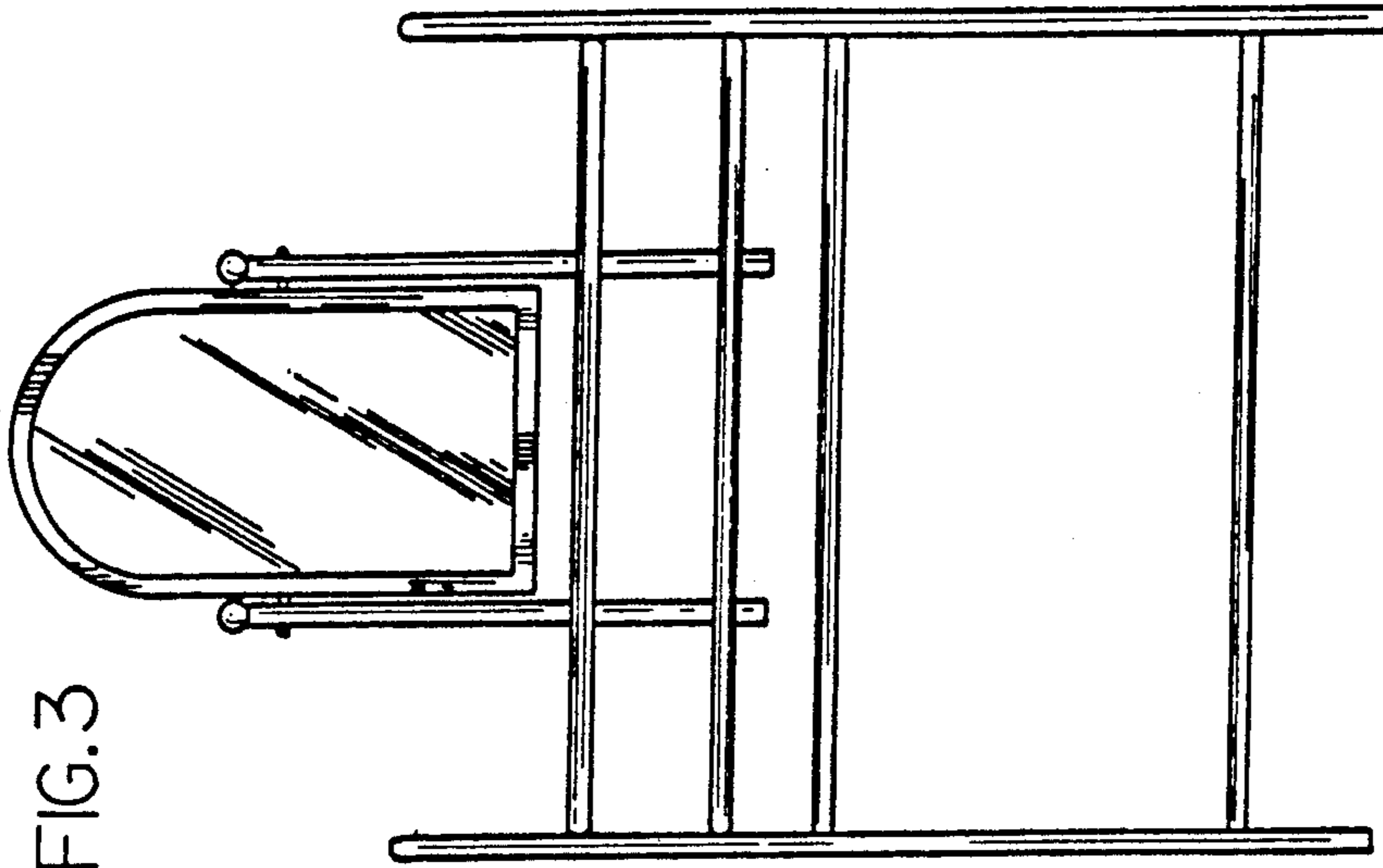


FIG. 3