

[54] CHAIR

[76] Inventor: Paul Fairbank, 390A N. Euclid Ave., St. Louis, Mo. 63108

[\*\*] Term: 14 Years

[21] Appl. No.: 226,216

[22] Filed: Jul. 29, 1988

[52] U.S. Cl. .... D6/373; D6/379

[58] Field of Search ..... D6/334, 371, 372, 373, D6/374, 375, 379, 499, 500, 502

[56] References Cited

U.S. PATENT DOCUMENTS

- D. 286,589 11/1986 Petitt ..... D6/375
- D. 286,826 11/1986 Colby ..... D6/379

OTHER PUBLICATIONS

Chair Design, Circa Mid-1930's.  
Design, 3/1967, Chair shown at mid page left.

*Telescope*, p. D13, Chairs pictured at left.  
*Telescope*, E9, Lounge (#G) pictured mid page.  
*Domus*, 12/1975, Marcel Brewer chair, pictured top right.  
*Design Institute America*, Chair pictured.

Primary Examiner—Bruce W. Dunkins  
Assistant Examiner—Gary D. Watson  
Attorney, Agent, or Firm—Heller & Kepler

[57] CLAIM

The ornamental design for a chair, as shown and described.

DESCRIPTION

FIG. 1 is a perspective view of a chair showing my new design;  
FIG. 2 is a side elevation thereof;  
FIG. 3 is a top plan view thereof;  
FIG. 4 is a front elevation view thereof;  
FIG. 5 is a bottom plan view thereof; and  
FIG. 6 is a rear elevation view thereof.

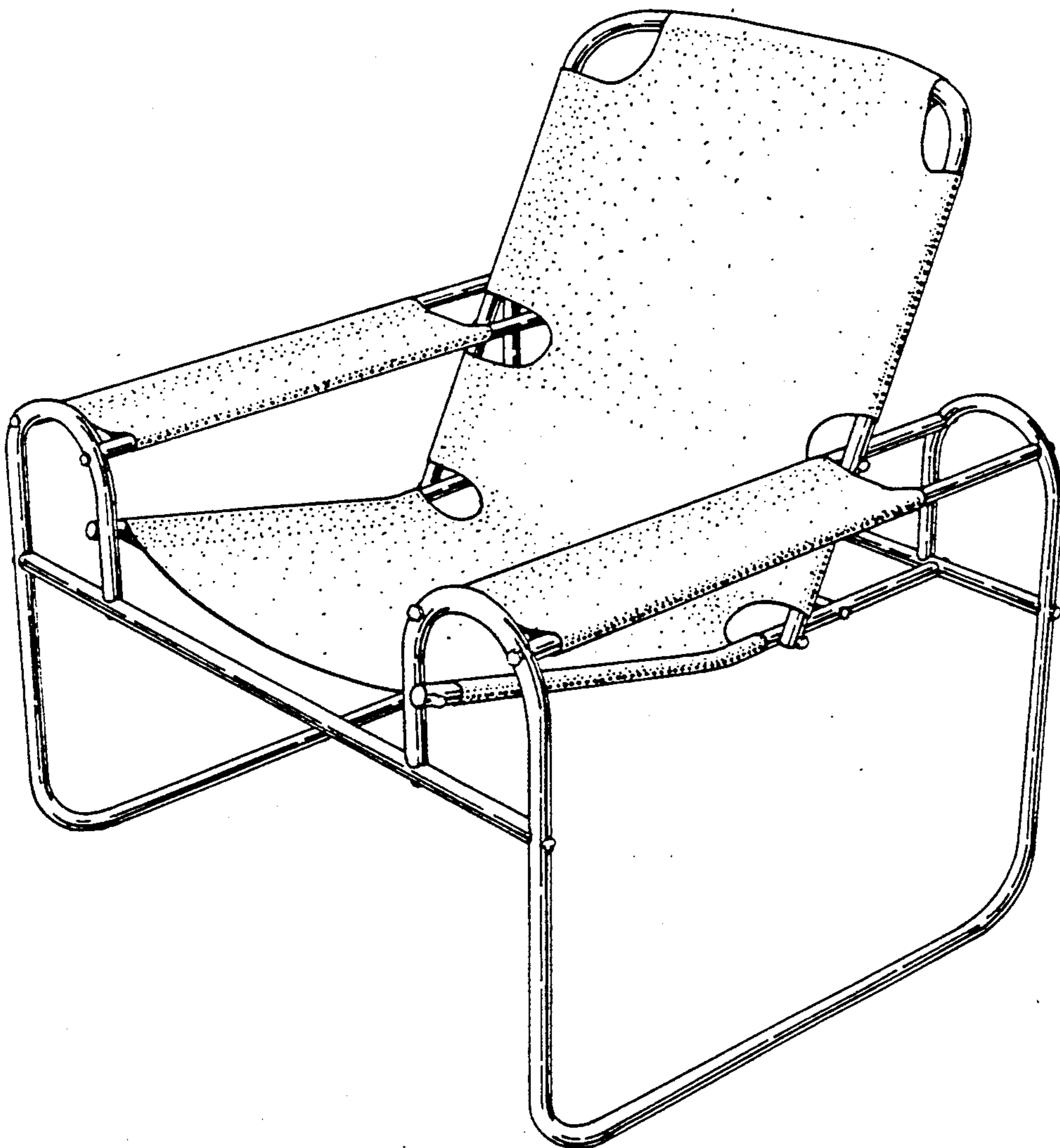


FIG. 1

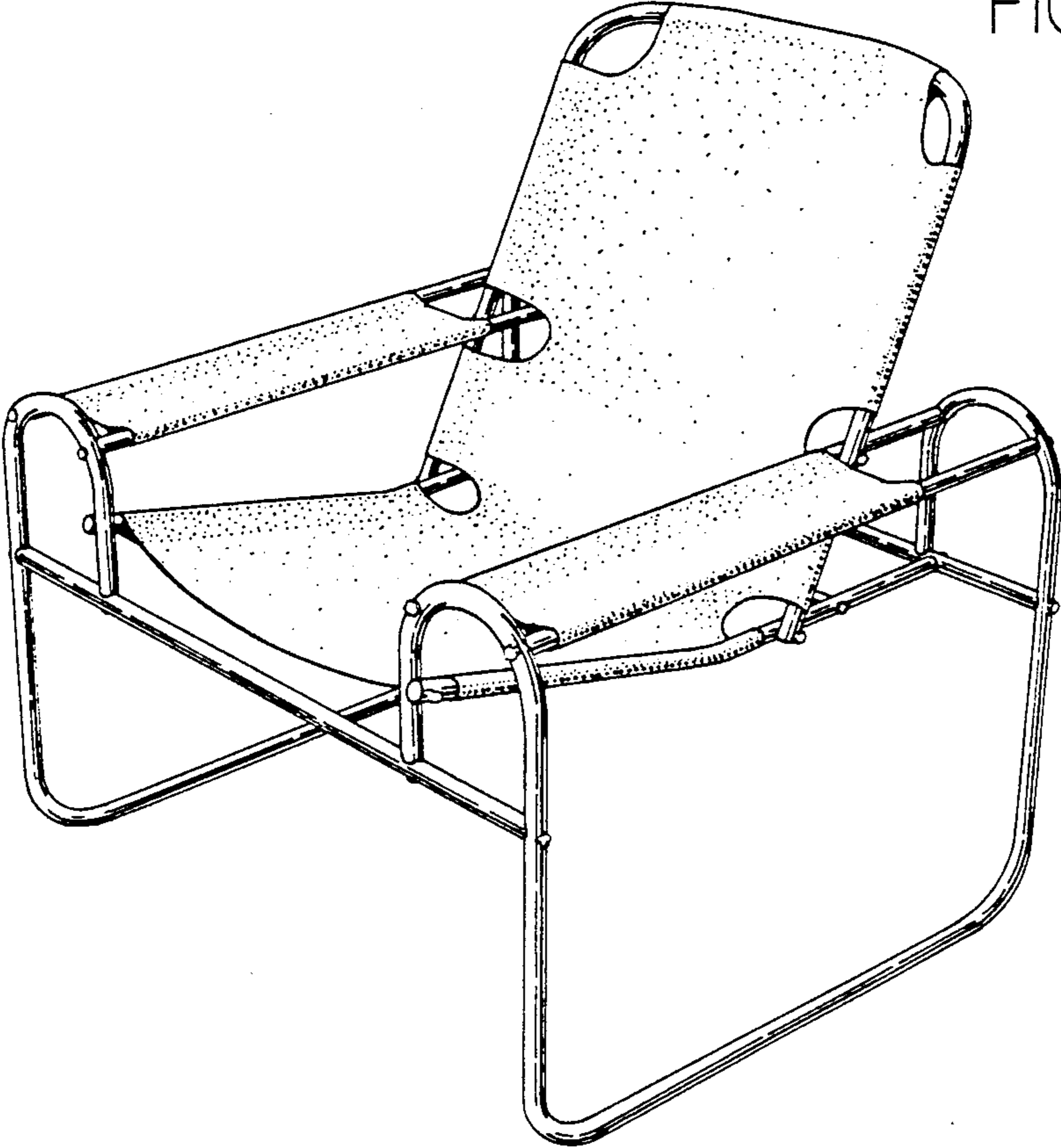


FIG. 2

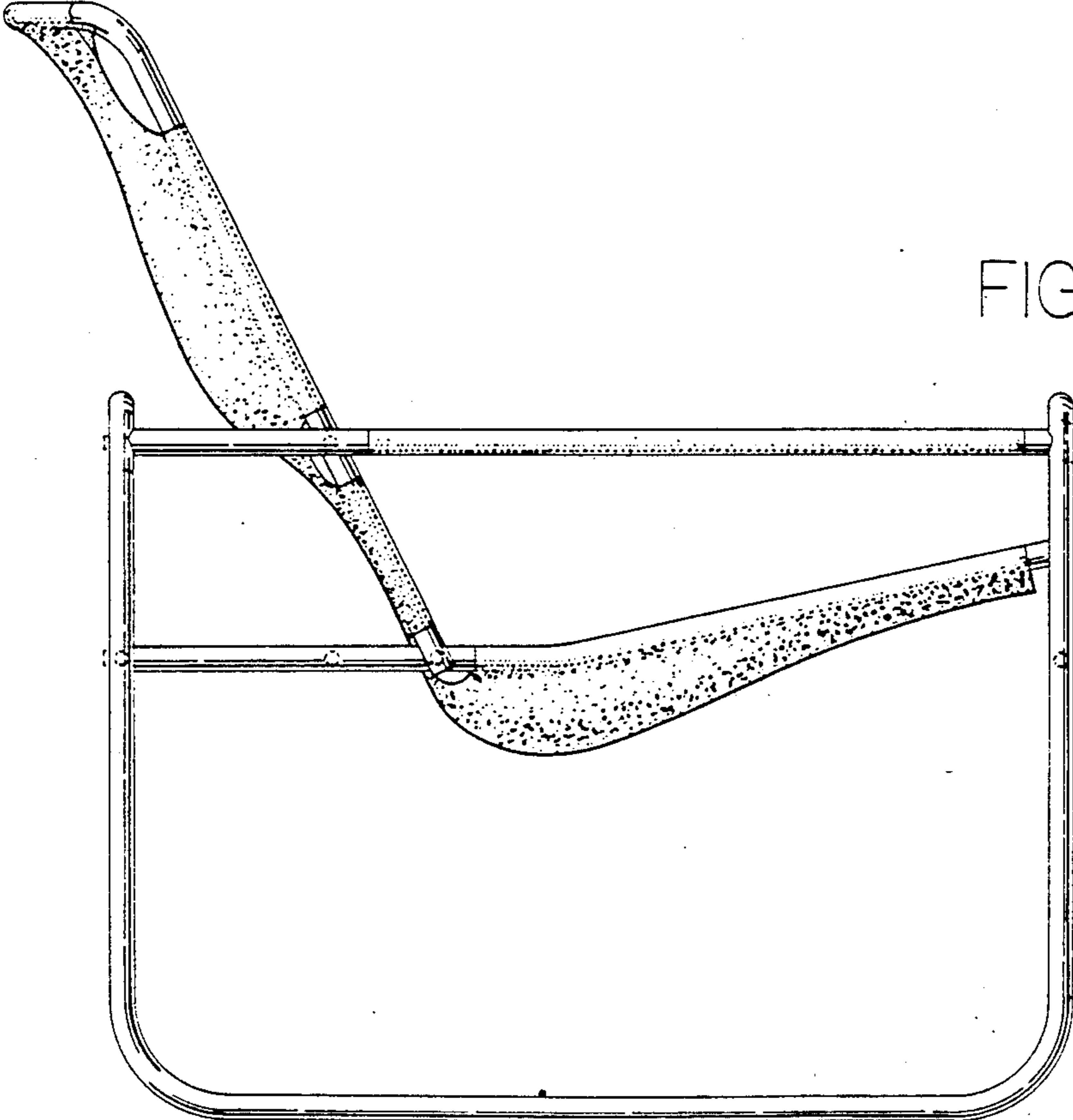


FIG. 3

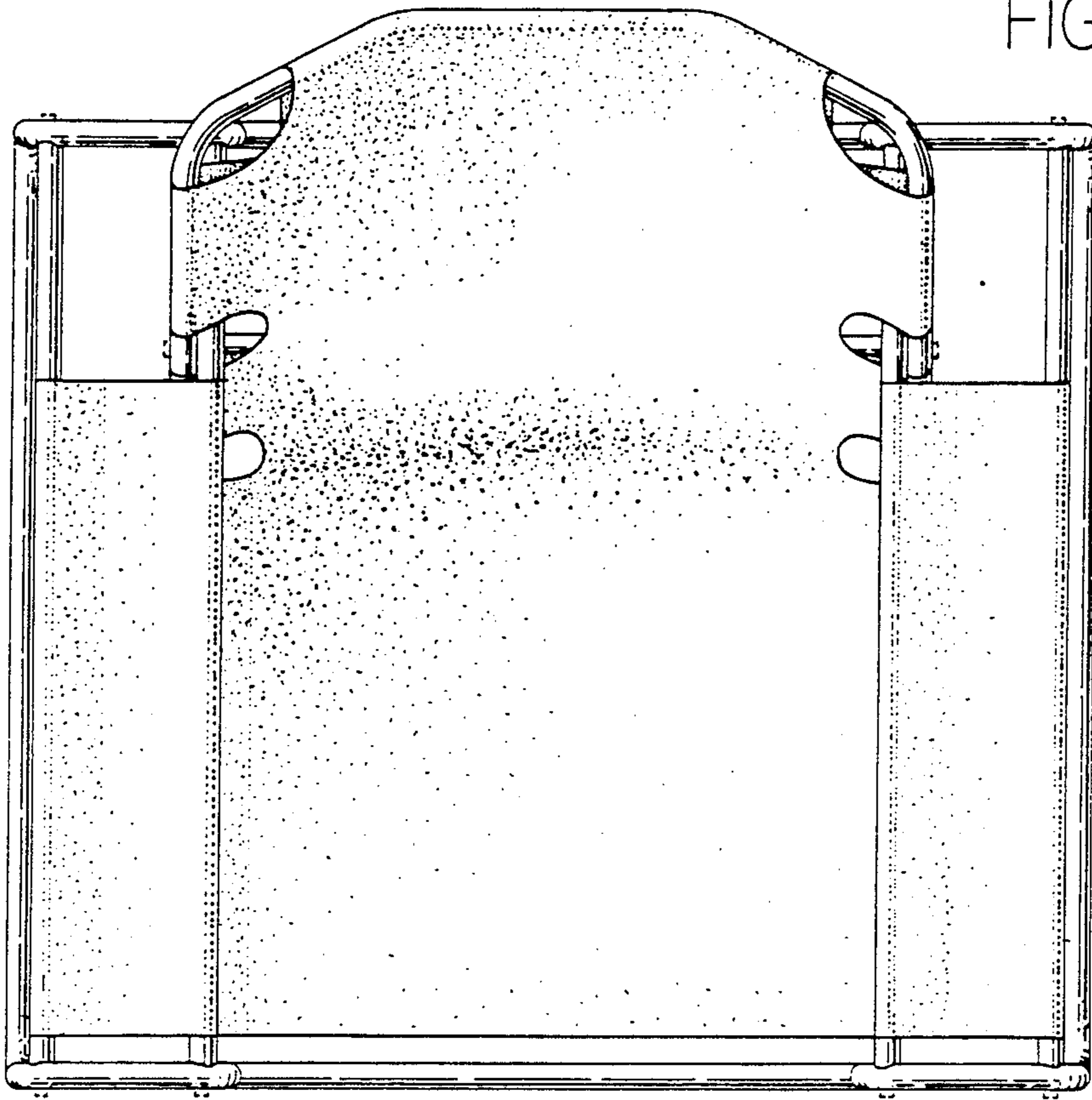


FIG. 4

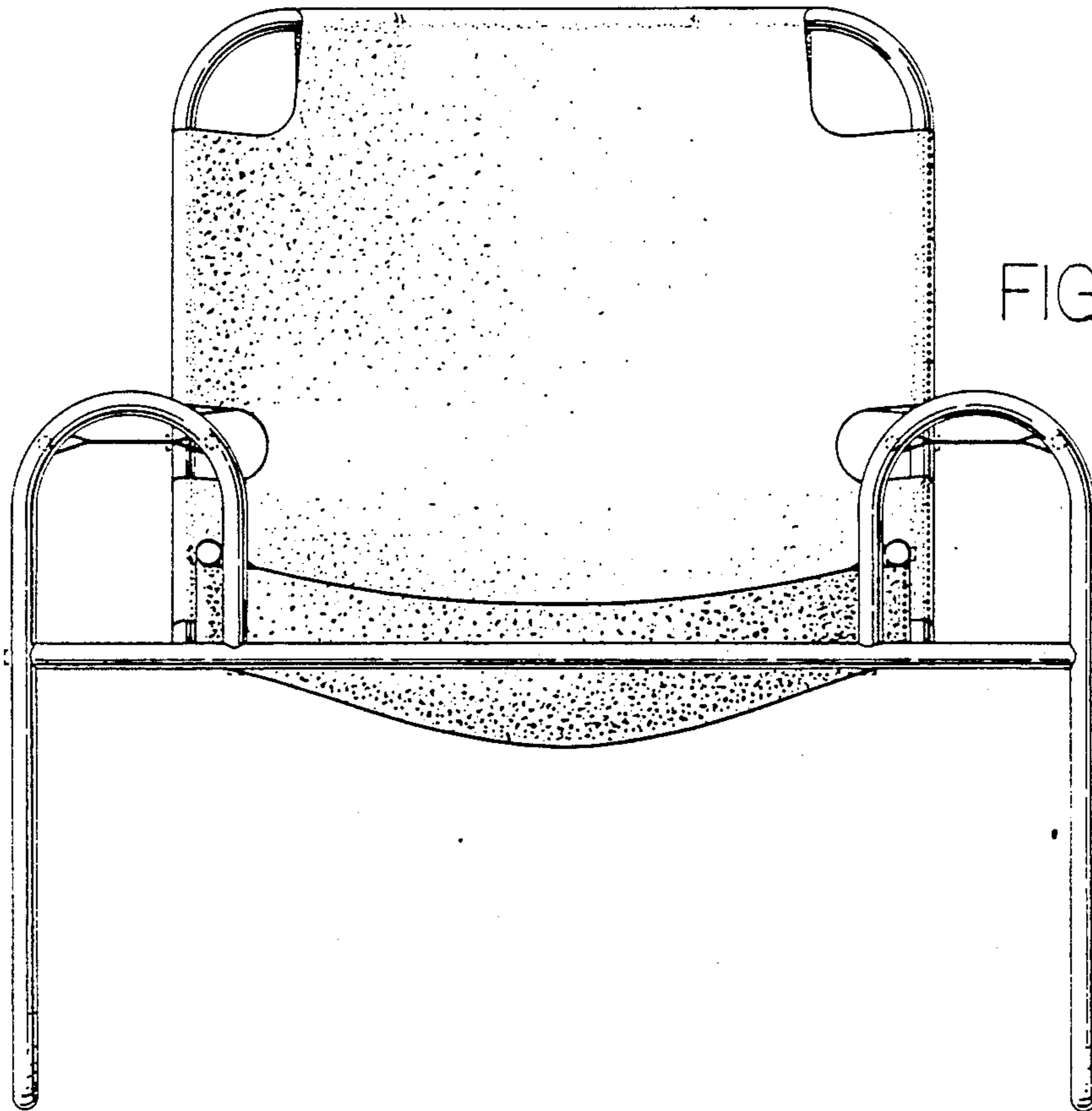


FIG. 5

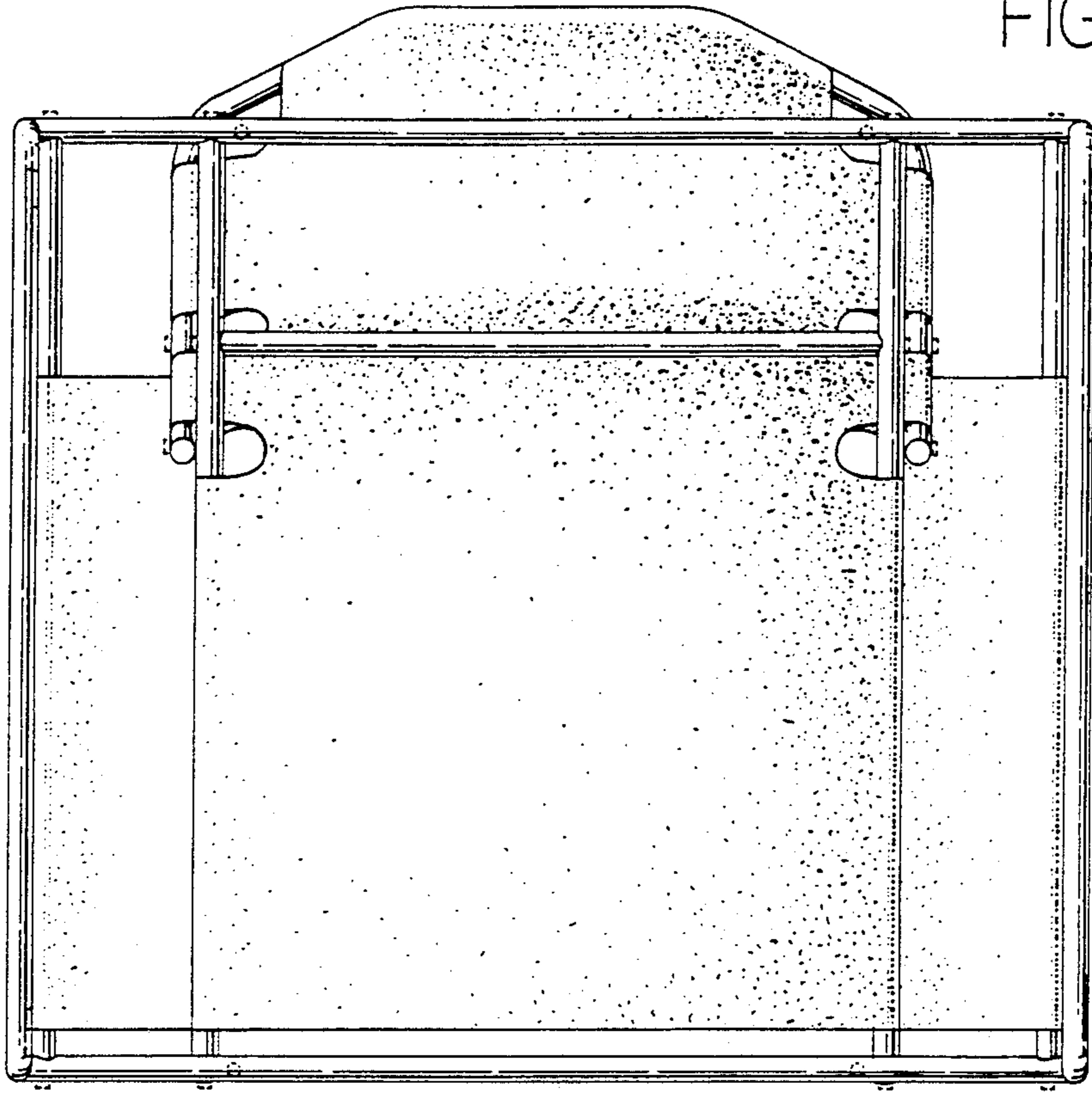


FIG. 6

