

- [54] **HUB FOR CASSETTE STORAGE CONTAINERS**
- [75] **Inventor: Bruce A. Hehn, Massillon, Ohio**
- [73] **Assignee: Alpha Enterprises, Inc., East Canton, Ohio**
- [**] **Term: 14 Years**
- [21] **Appl. No.: 360,702**
- [22] **Filed: May 31, 1989**
- [52] **U.S. Cl. D3/35; D3/99**
- [58] **Field of Search D3/30.1, 34, 35, 100, D3/39, 48, 52, 56, 58, 60, 71, 77, 78, 79, 42, 106, 74, 99; D14/165, 154; D19/26, 27; 150/49, 320; 206/311, 313, 333, 387, 472, 493; 224/228; 434/309; 211/13; 229/107**

4,492,417	1/1985	Saito et al.	312/9
4,593,814	6/1986	Hagiwara et al.	206/387
4,614,269	9/1986	Dietze et al.	206/387
4,753,347	6/1988	Bellante et al.	206/387
4,757,896	7/1988	Huko	206/387
4,928,825	5/1990	Hehn	206/387

Primary Examiner—A. Hugo Word
Assistant Examiner—C. A. Murphy
Attorney, Agent, or Firm—Michael Sand Co.

[57] **CLAIM**

The ornamental design for a hub for cassette storage containers, as shown and described.

DESCRIPTION

FIG. 1 is a perspective view of a hub for cassette storage containers showing my new design in the position of use; the broken line showing an additional hub and the container being for illustrative purposes only and forming no part of the claimed design;

FIG. 2 is an enlarged perspective view of a hub for cassette storage containers showing my new design;

FIG. 3 is a right side elevational view of FIG. 2, the left side being identical;

FIG. 4 is a side elevational view of FIG. 3 shown rotated 45 degrees;

FIG. 5 is a top plan view of FIG. 2;

FIG. 6 is a bottom plan view of FIG. 2;

FIG. 7 is a perspective view of an alternate embodiment of the design shown in FIG. 1; and

FIG. 8 is a perspective view of a second embodiment of the design shown in FIG. 1.

[56] **References Cited**
U.S. PATENT DOCUMENTS

D. 229,585	12/1973	Singleton	D3/35
D. 284,621	7/1986	Swinney	D3/35
3,896,929	7/1975	Mills	206/387
4,056,244	11/1977	Matsutsuka	242/197
4,184,594	1/1980	Hehn	206/387
4,196,806	4/1980	Posso	206/387
4,230,225	10/1980	Okada et al.	206/387
4,231,474	11/1980	Takahashi	206/387
4,235,334	11/1980	Ahn	206/387
4,291,801	9/1981	Basili et al.	206/387
4,347,933	9/1982	Ishida et al.	206/387
4,428,482	1/1984	Ogawa	206/387

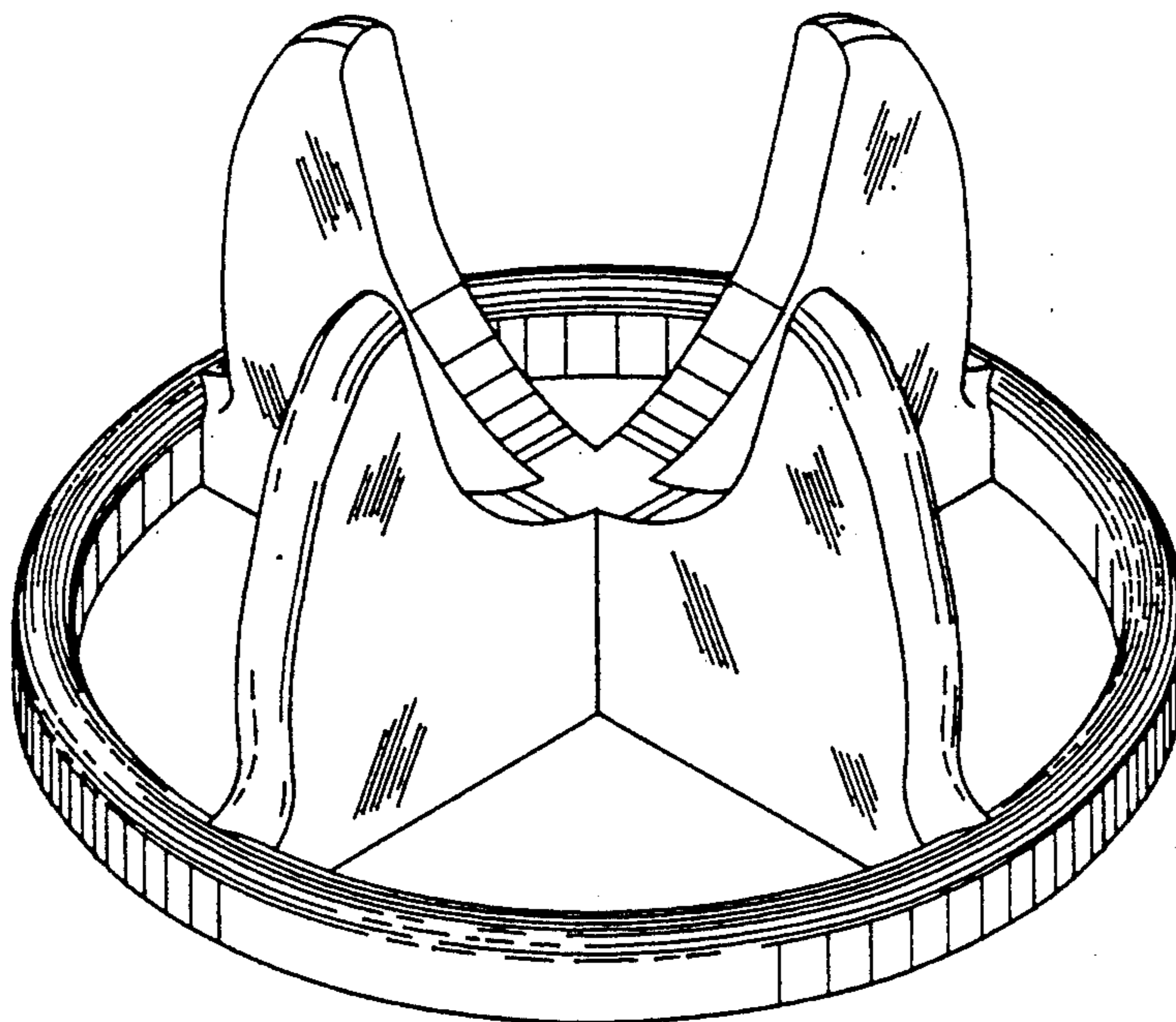


FIG. 1

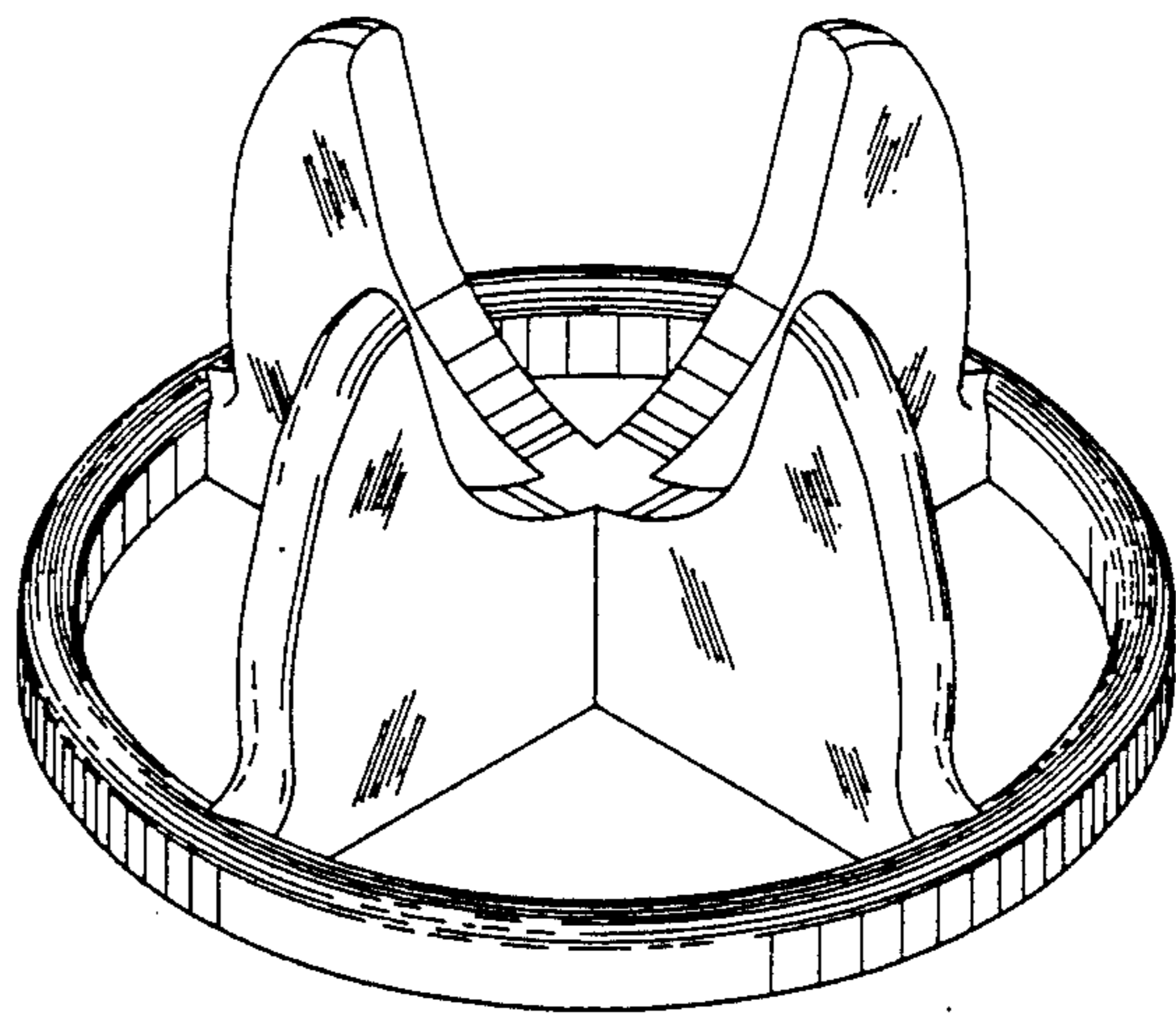
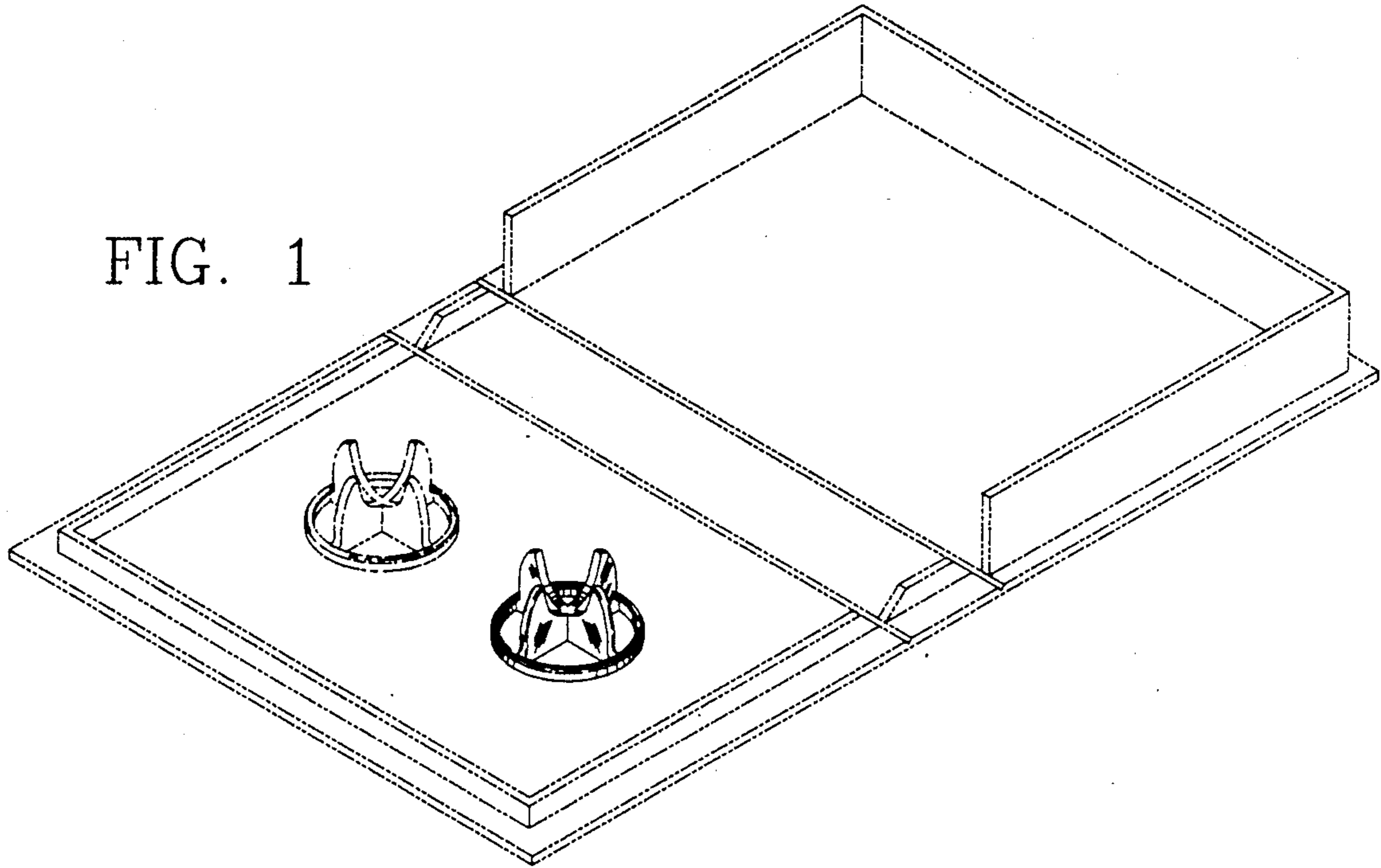


FIG. 2

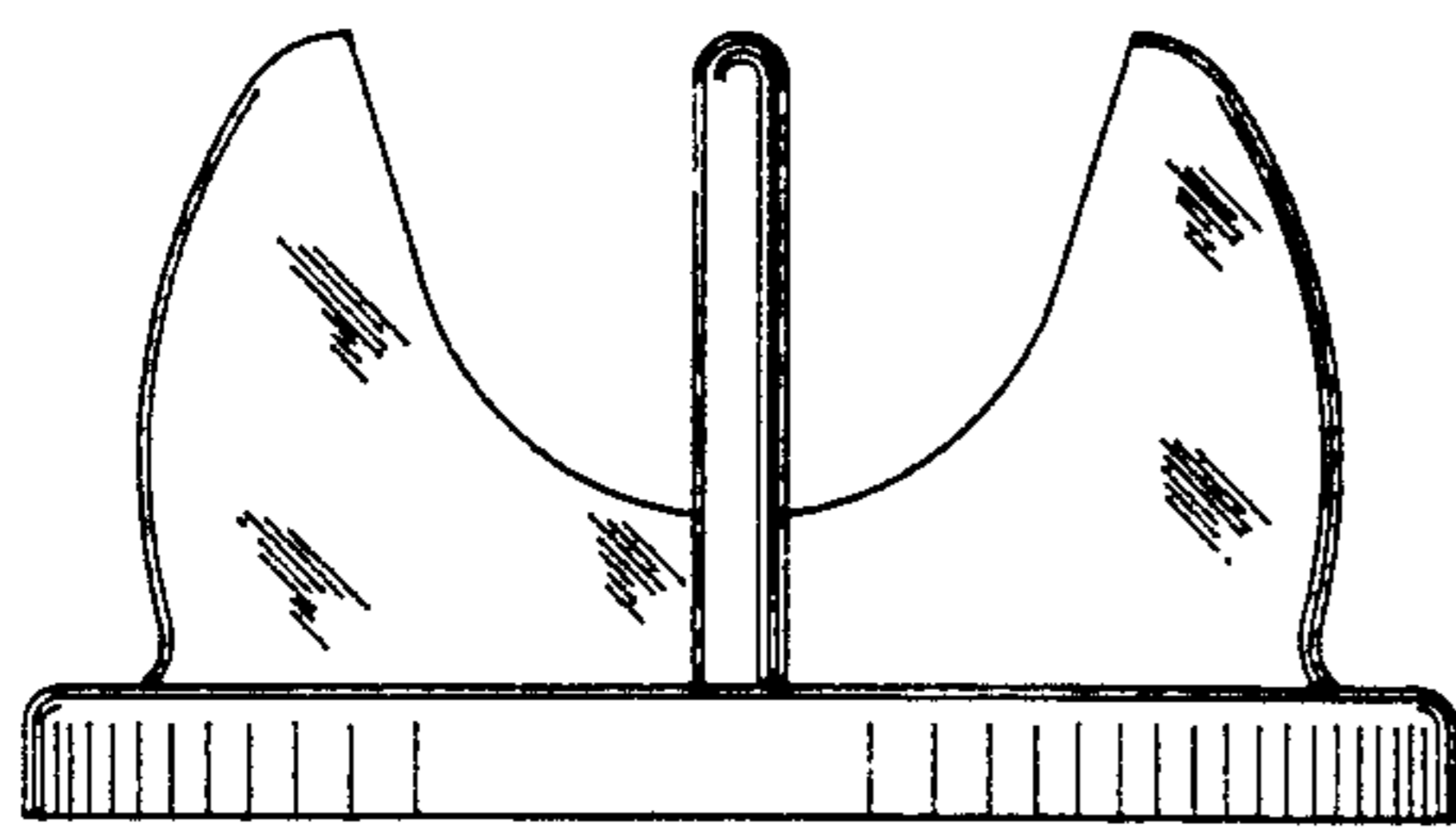


FIG. 3

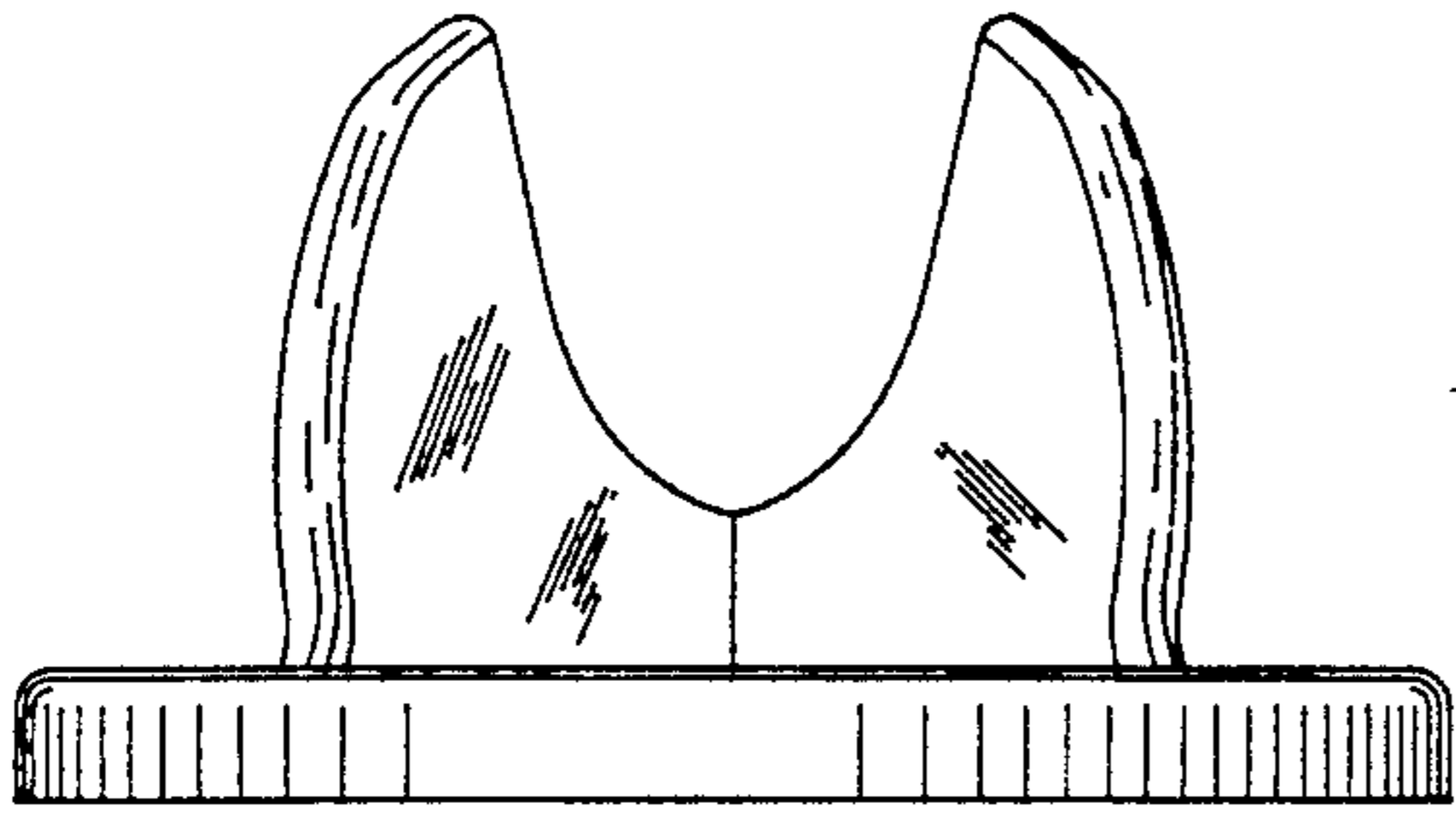


FIG. 4

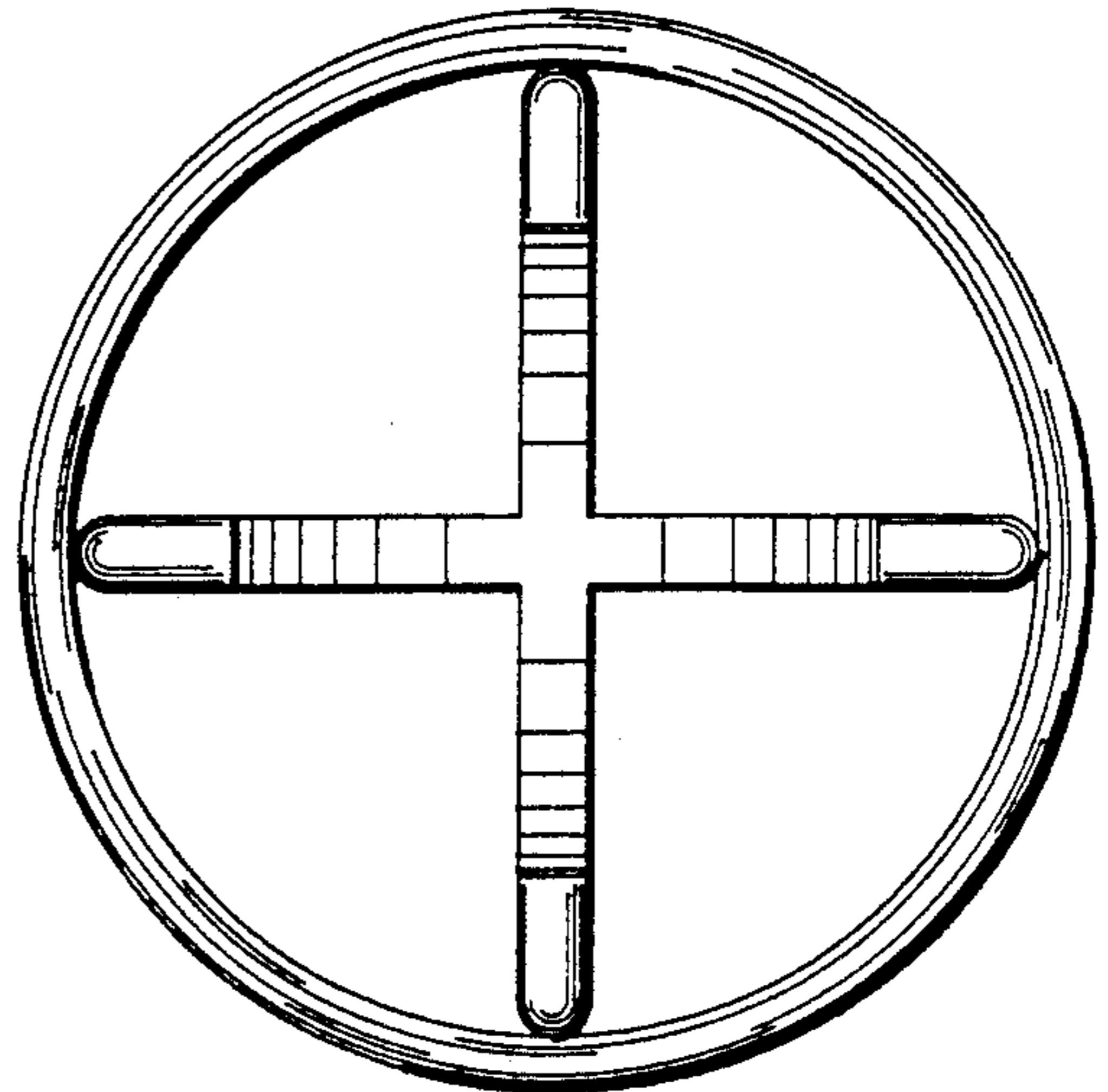


FIG. 5

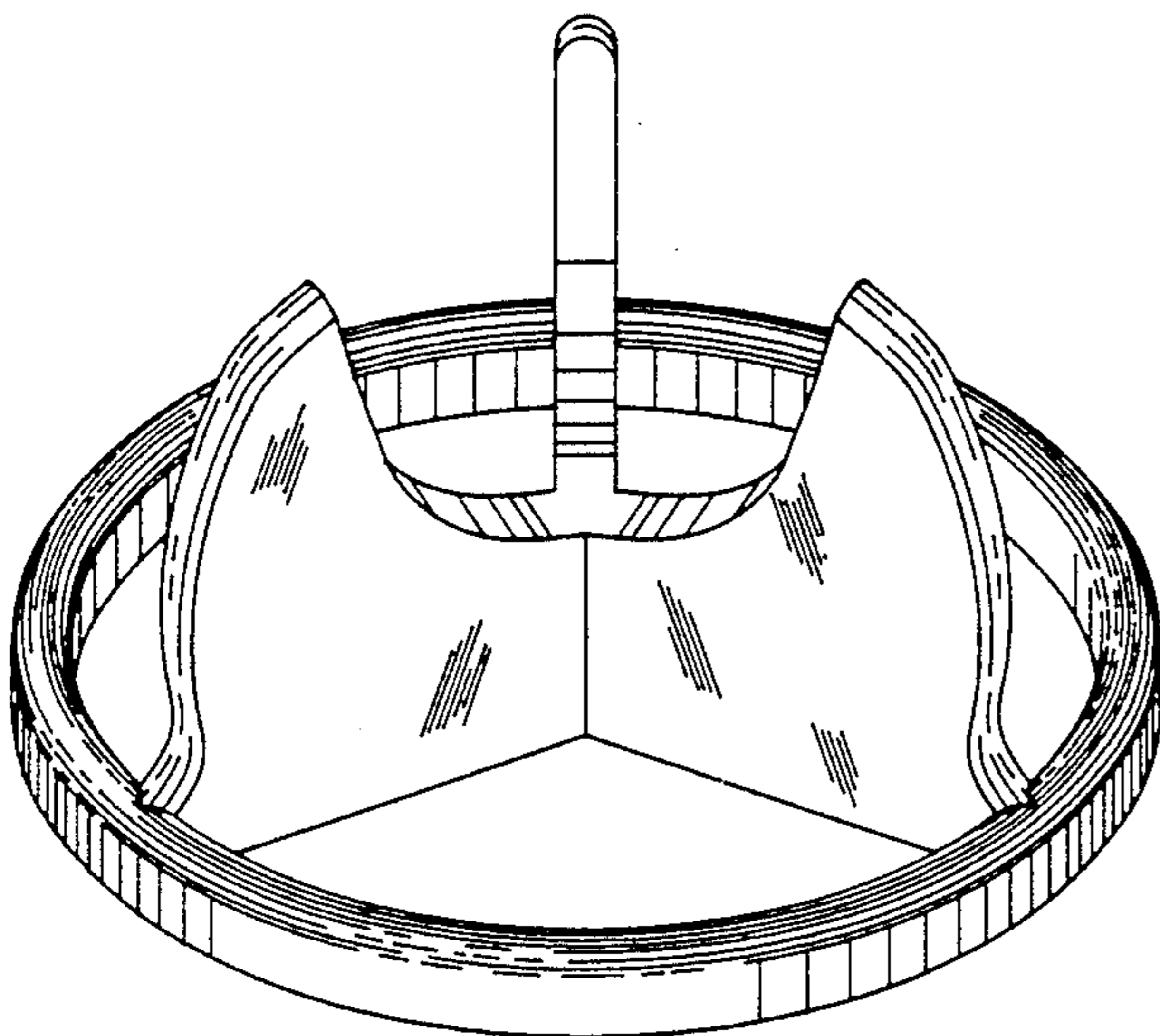


FIG. 7

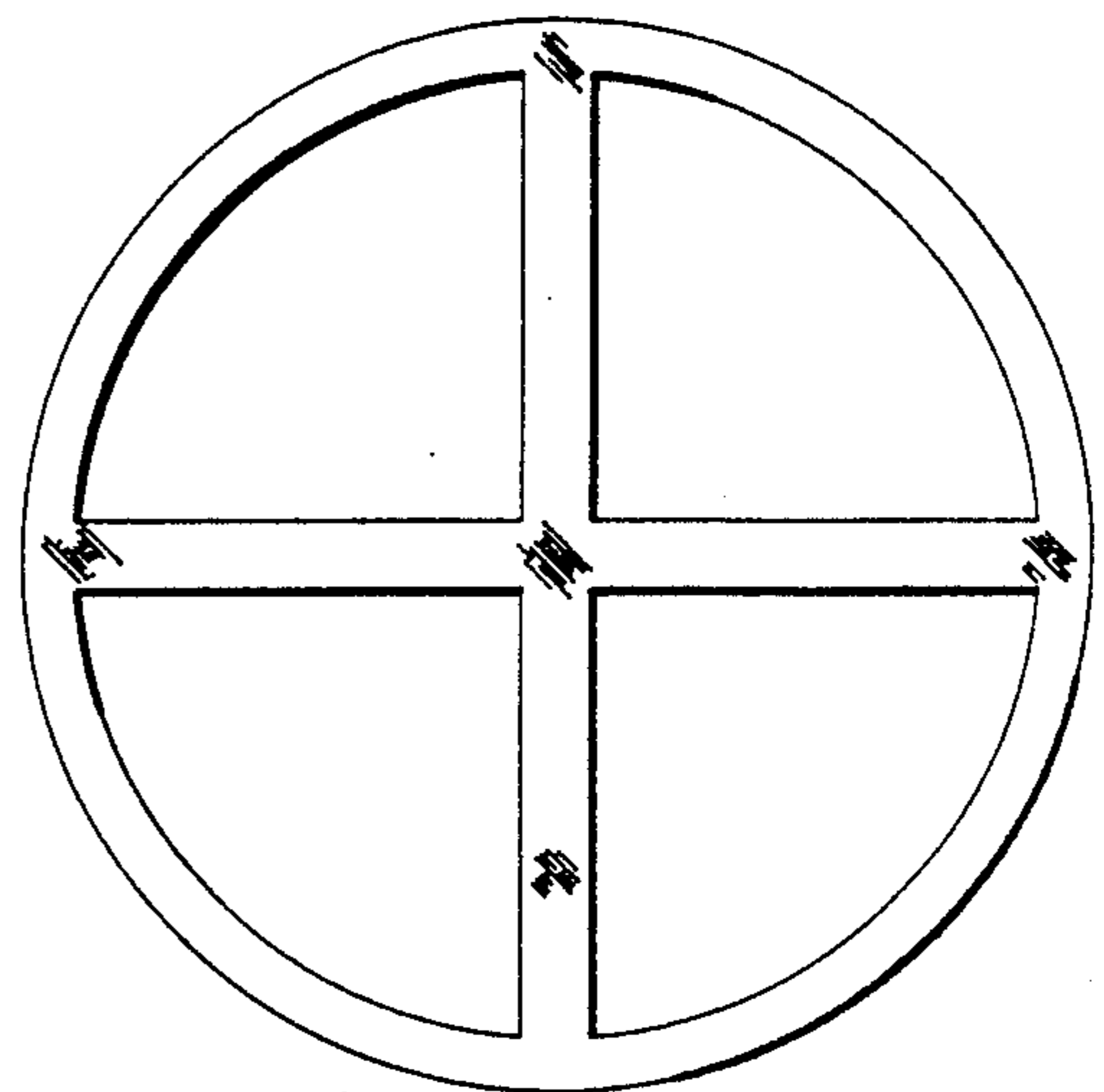


FIG. 6

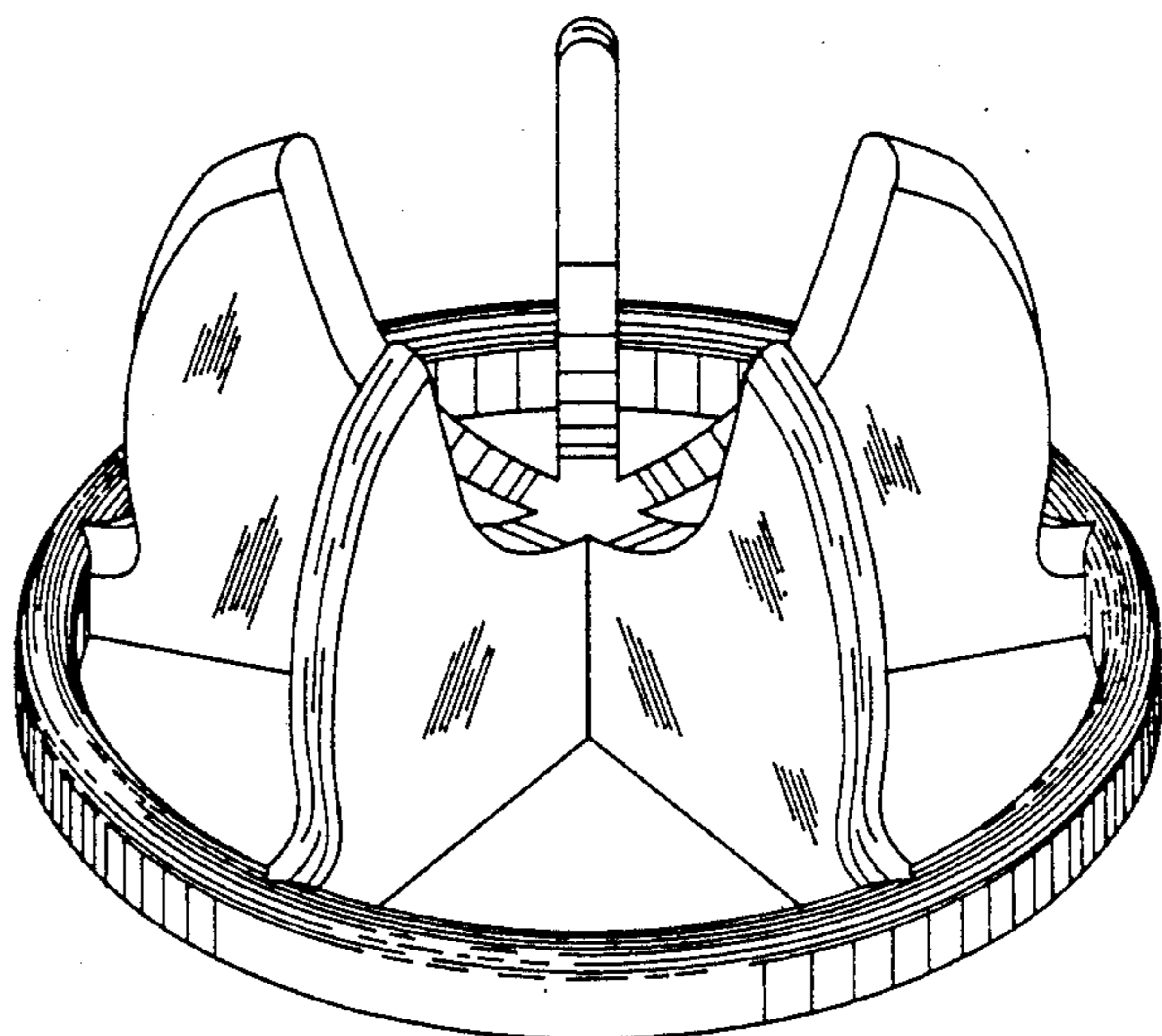


FIG. 8