

[54] HOLDER FOR VEHICLE FIRE EXTINGUISHER, FLARE AND MAPS

[76] Inventors: Ronald W. Brown, P.O. Box 26, R.R. 1; Russell A. Wegner, P.O. Box 146, both of Fredericksburg, Iowa 50630

[**] Term: 14 Years

[21] Appl. No.: 180,258

[22] Filed: Apr. 11, 1988

[52] U.S. Cl. D3/40; D3/74

[58] Field of Search D3/40, 30.1, 74, 73, D3/99, 39; 224/273, 276, 275, 277, 42.42, 42.45 R, 42.39, 42.11; 40/904; 296/37.1, 51.0, 70; 211/88, 71, 74, 69.5, 40; 108/12, 43, 44, 46, 45; D14/253, 147; D12/155, 115.6; D7/553; 220/427, DIG. 15

[56] References Cited

U.S. PATENT DOCUMENTS

D. 307,823	5/1990	Cook, Jr.	D3/35
1,534,151	4/1925	Bahsler	40/904 X
2,691,837	10/1954	Gove	224/277 X
2,825,988	3/1958	O'Reilly	40/904 X
2,853,219	9/1958	Schwartz	224/275
2,887,216	5/1959	Hargraves	224/277
3,089,583	5/1963	White	224/277 X
3,920,211	11/1975	Knight	224/275

Primary Examiner—Louis S. Zarfes

Assistant Examiner—M. N. Pandozzi
Attorney, Agent, or Firm—Zarley, McKee, Thomte, Voorhees, & Sease

[57] CLAIM

The ornamental design for a holder for vehicle fire extinguisher, flare and maps, as shown and described.

DESCRIPTION

FIG. 1 is a front perspective view of a holder for vehicle fire extinguisher, flare and maps, showing our new design.

FIG. 2 is a front elevational view thereof.

FIG. 3 is a top plan view thereof.

FIG. 4 is a bottom plan view thereof.

FIG. 5 is an elevational view thereof taken from the end, as seen from the right of FIG. 2.

FIG. 6 is an elevational view thereof taken from the end, as seen from the left of FIG. 2.

FIG. 7 is a rear elevational view.

FIG. 8 is a front perspective view of a modification of the vehicle fire extinguisher, flare, and map holder of FIG. 1, wherein a side wall is hinged instead of an end wall.

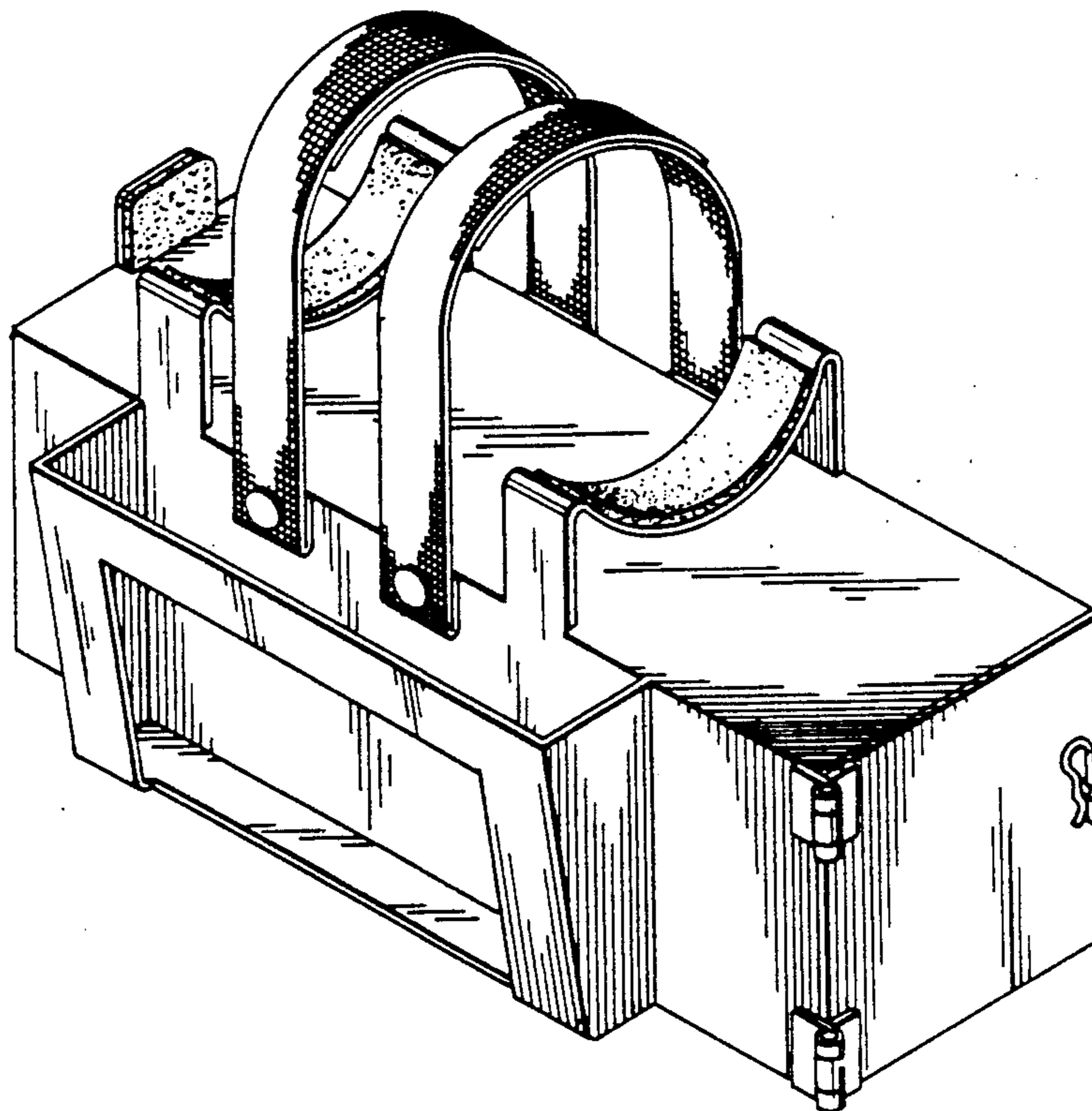
FIG. 9 is a front elevational view thereof.

FIG. 10 is a plan view thereof.

FIG. 11 is a bottom plan view thereof.

FIG. 12 is an elevational view thereof taken from the end, as seen from the right in FIG. 8.

FIG. 13 is an elevational view thereof taken from the end, as seen from the left in FIG. 8.



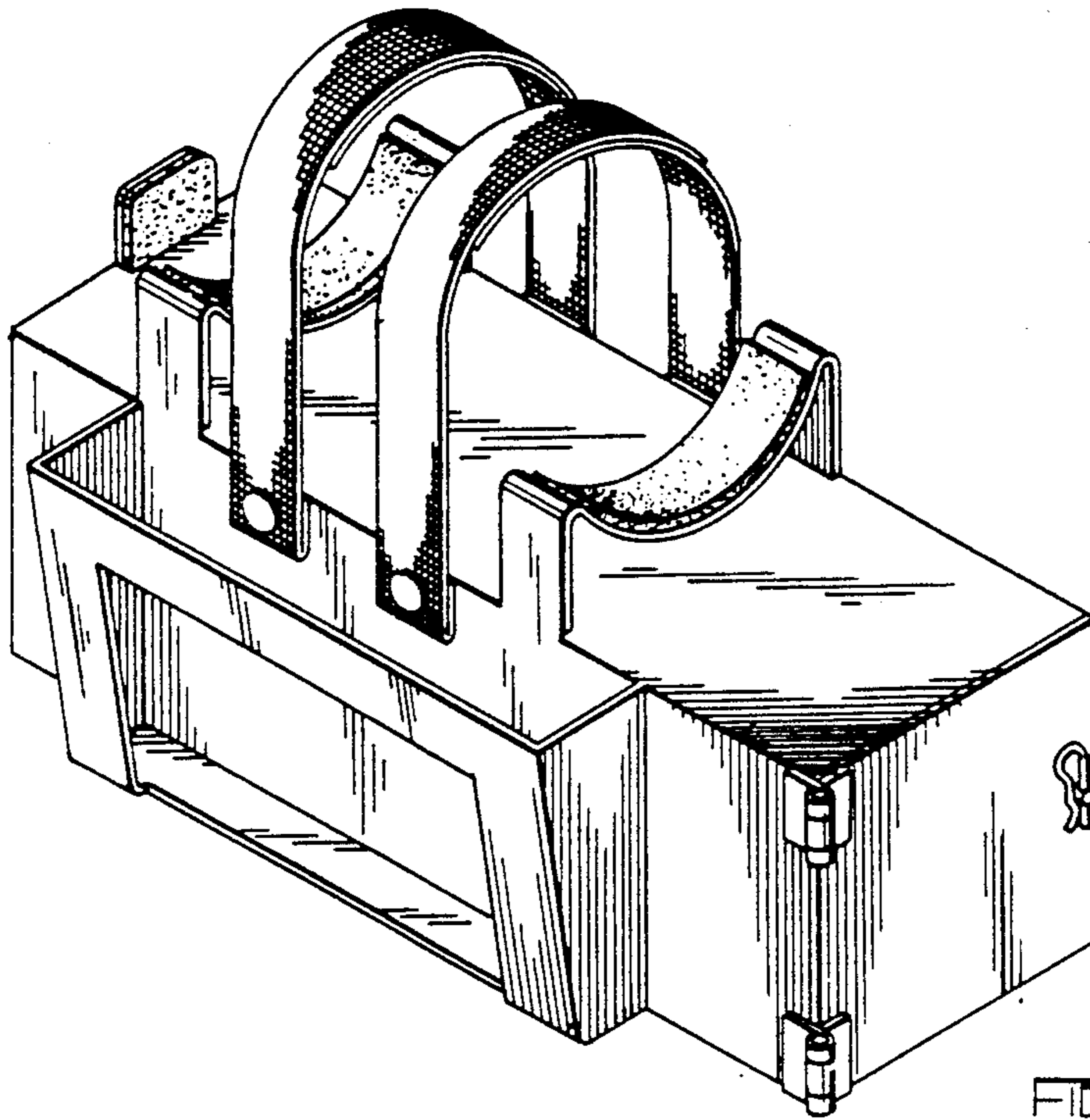


FIG. 1

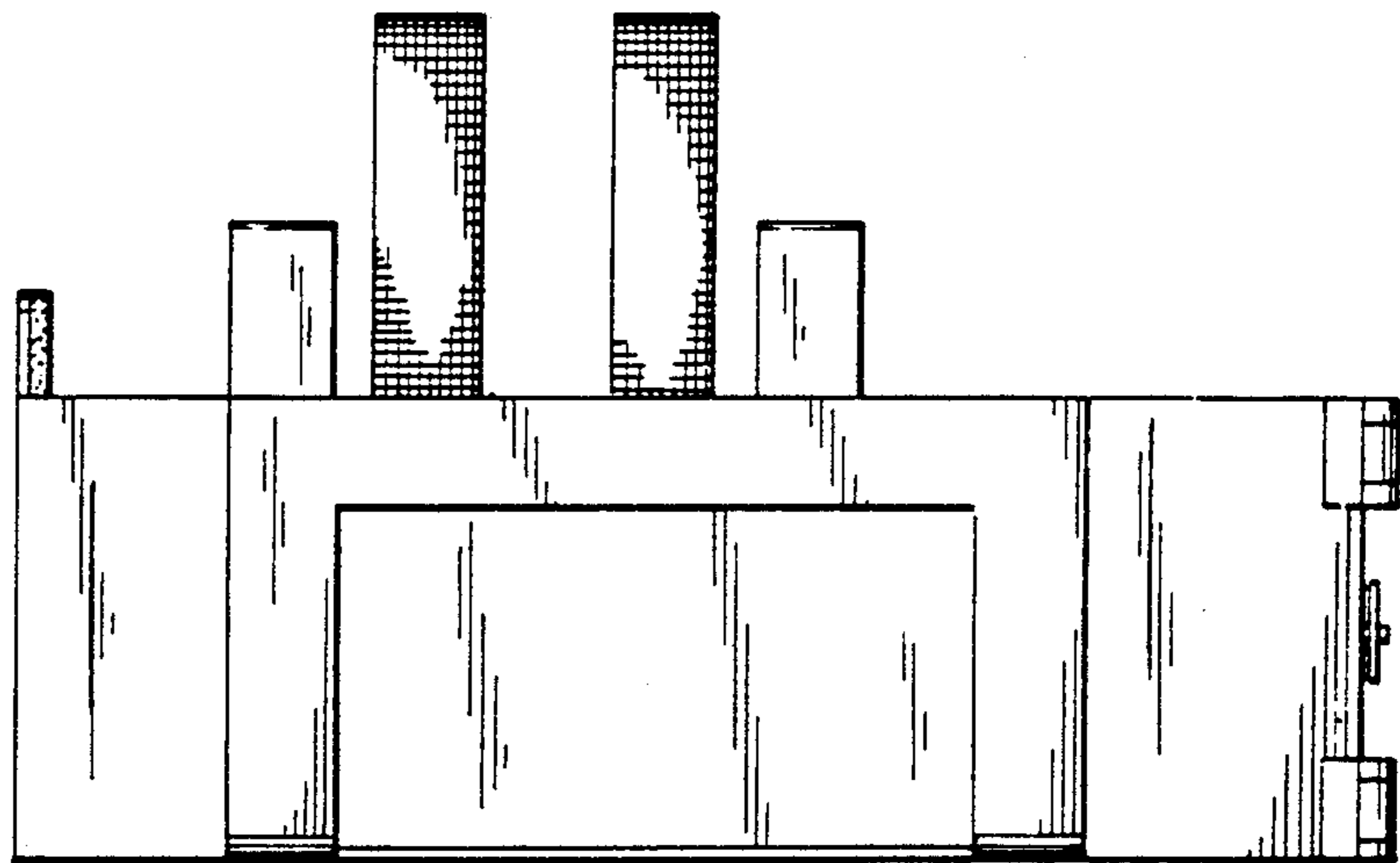


FIG. 2

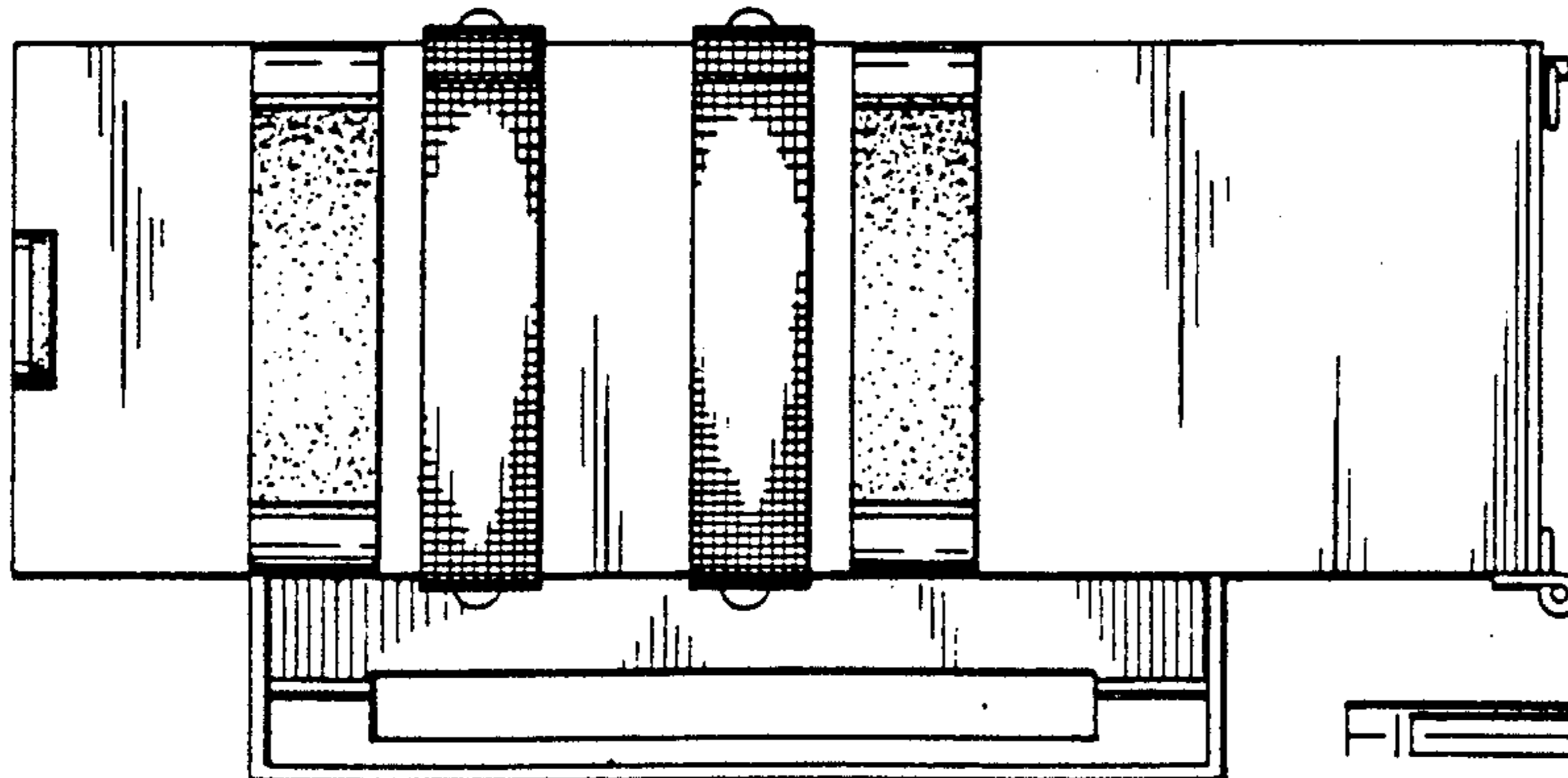


FIG. 3

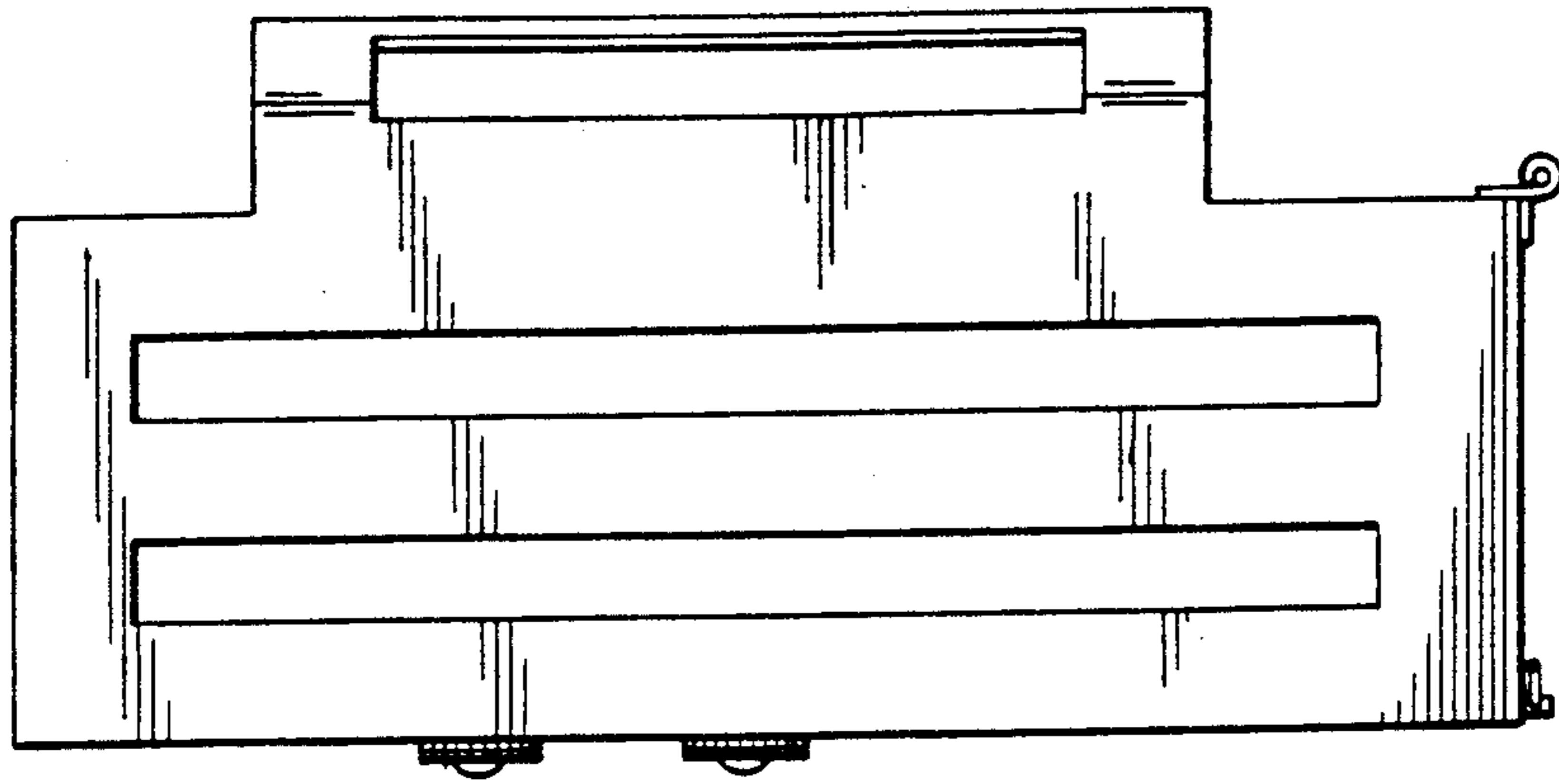


FIG. 4

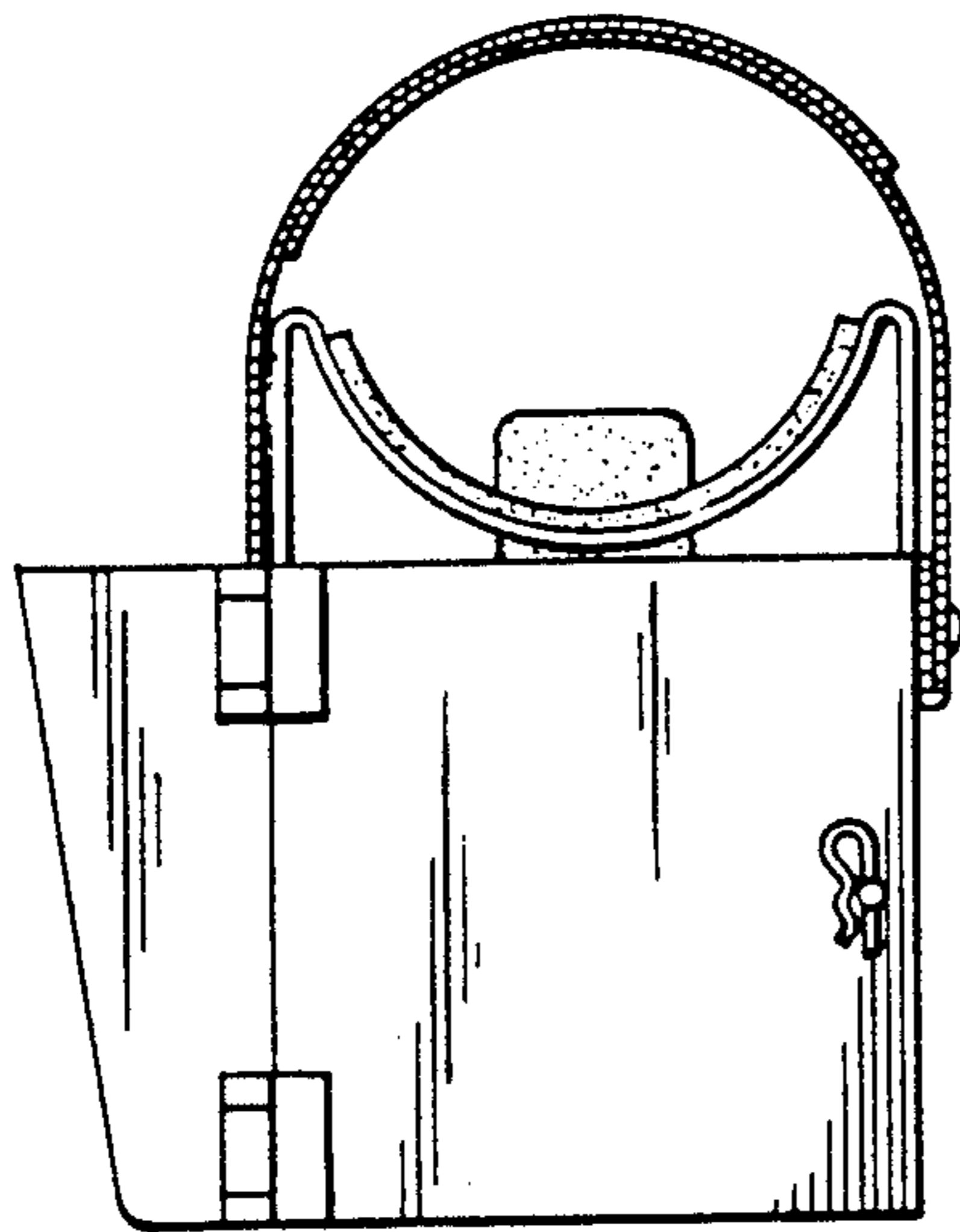


FIG. 5

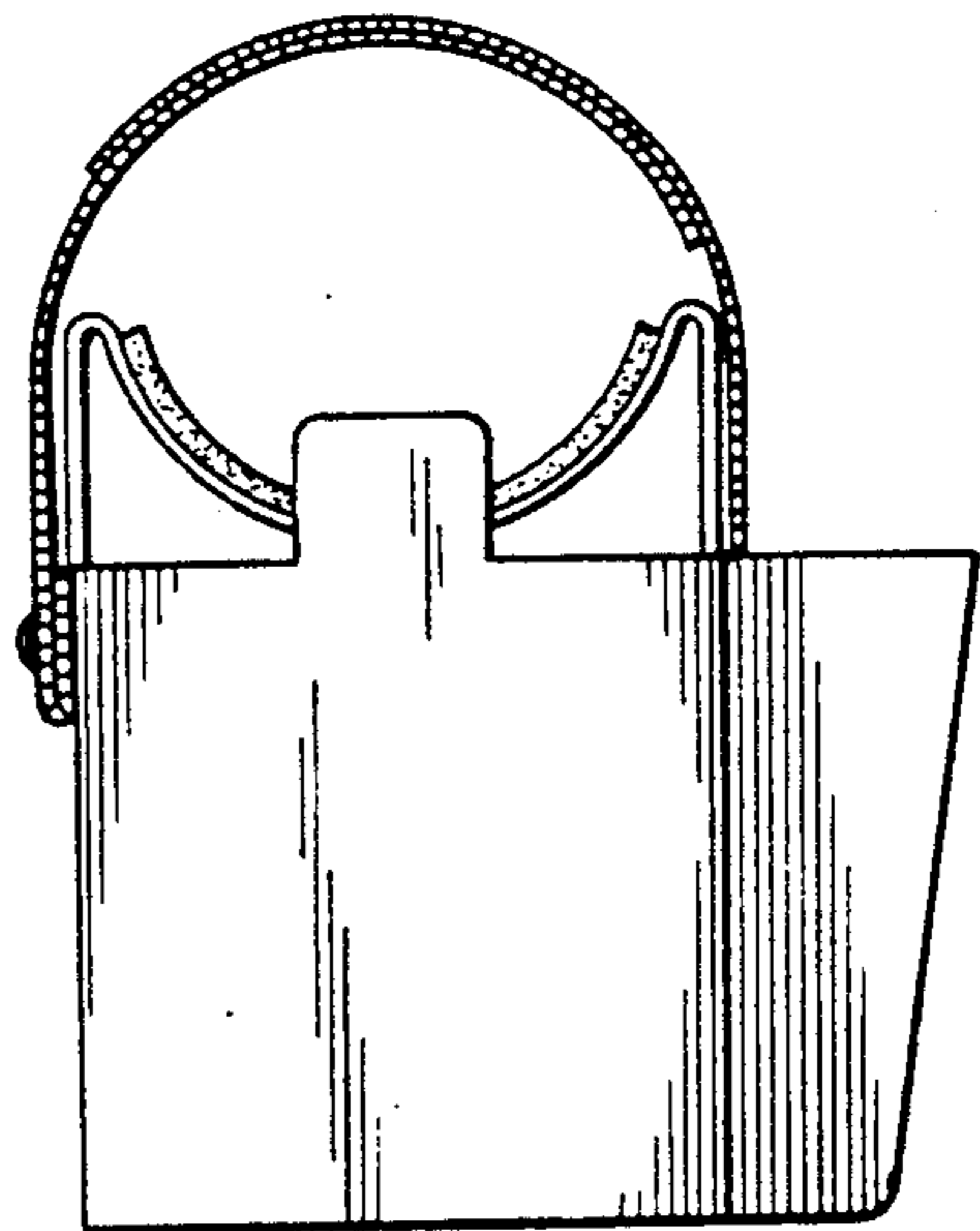


FIG. 6

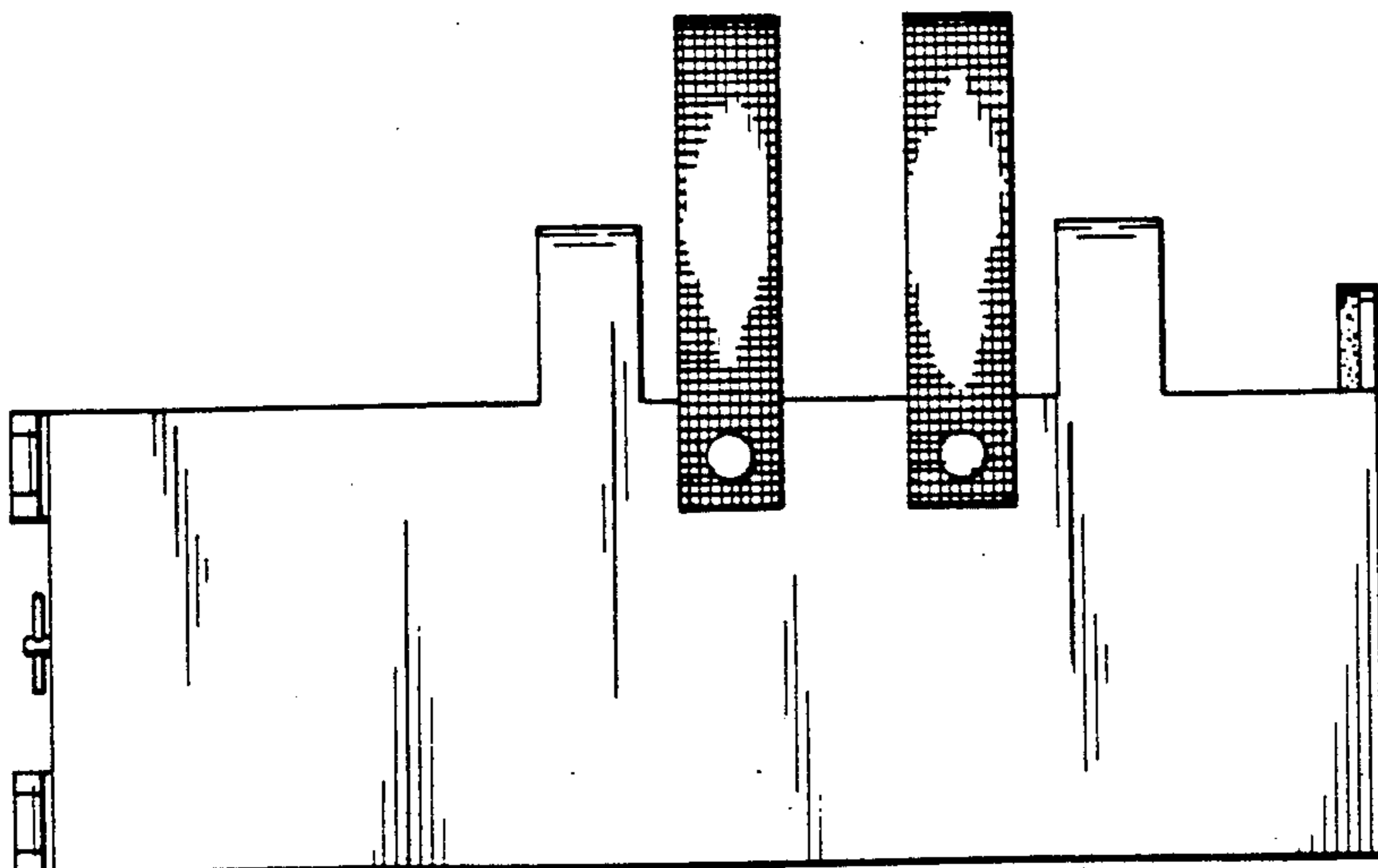
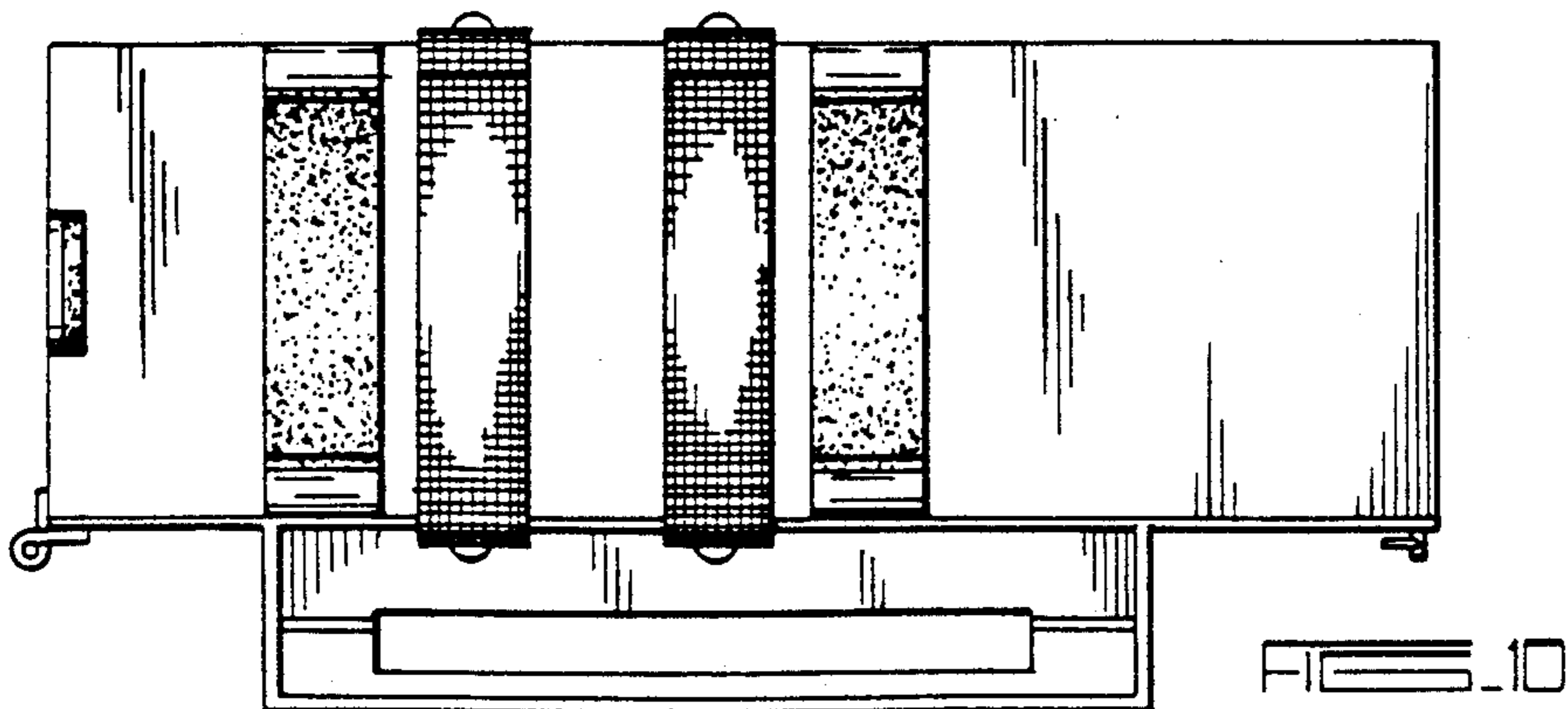
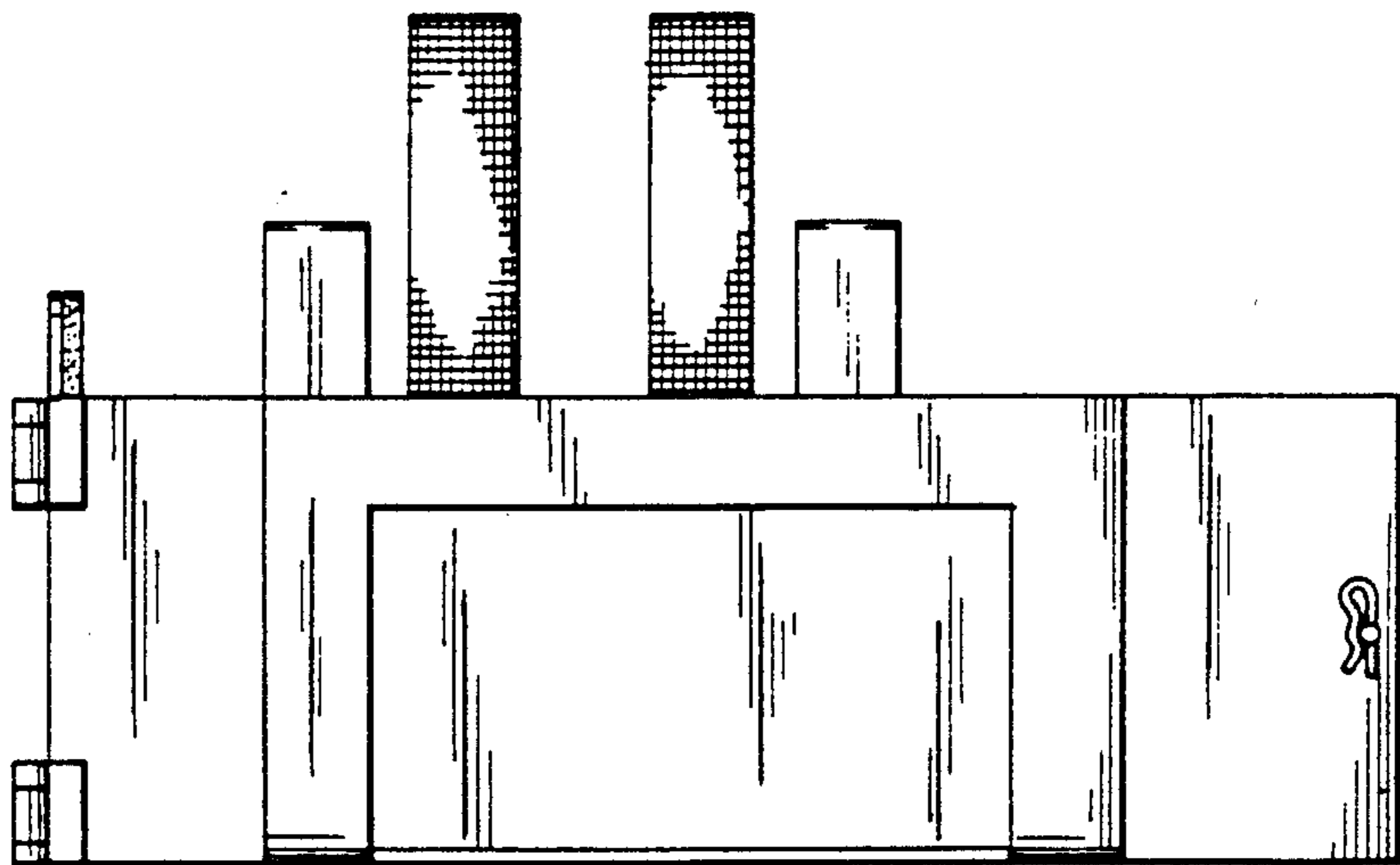
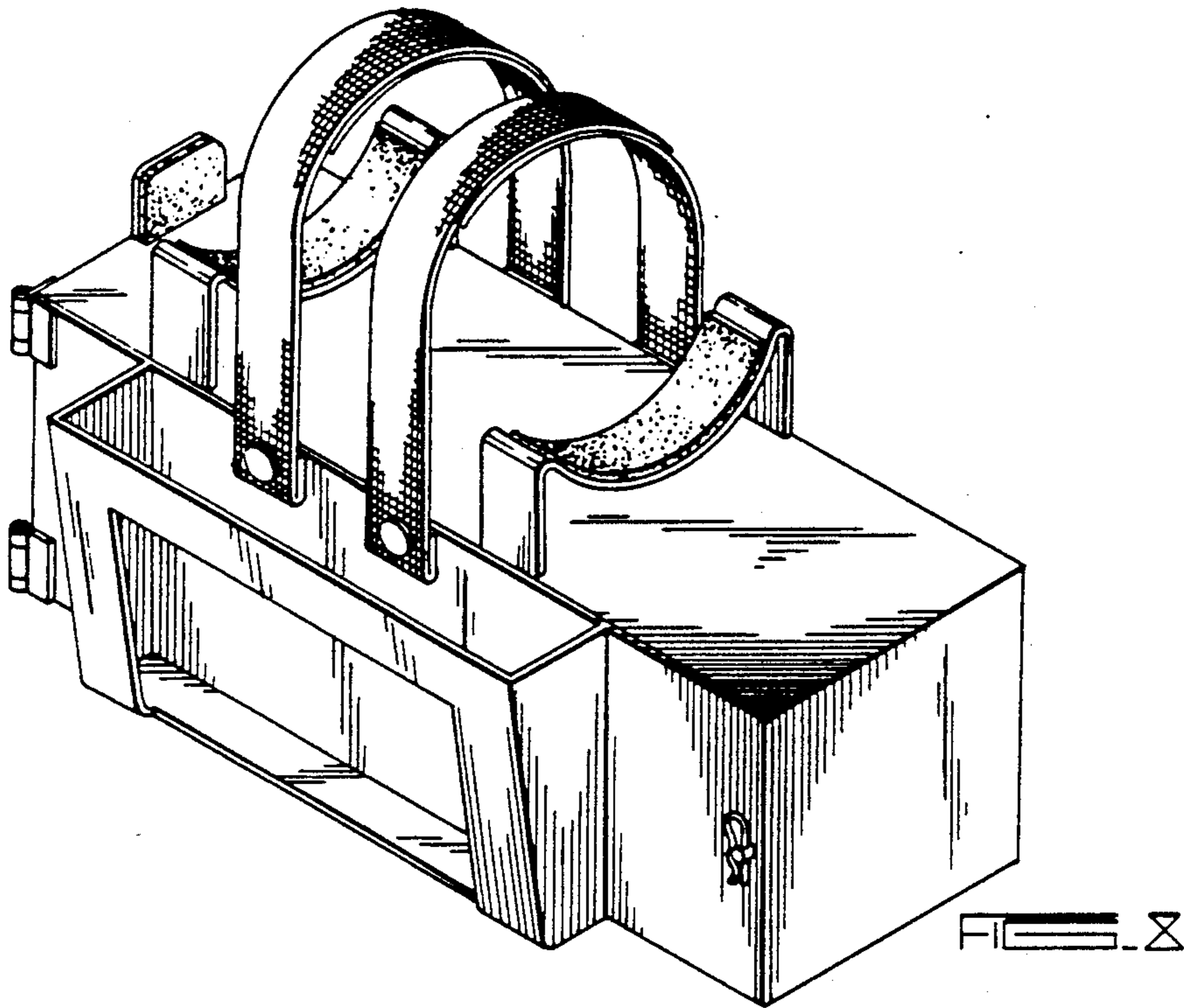


FIG. 7



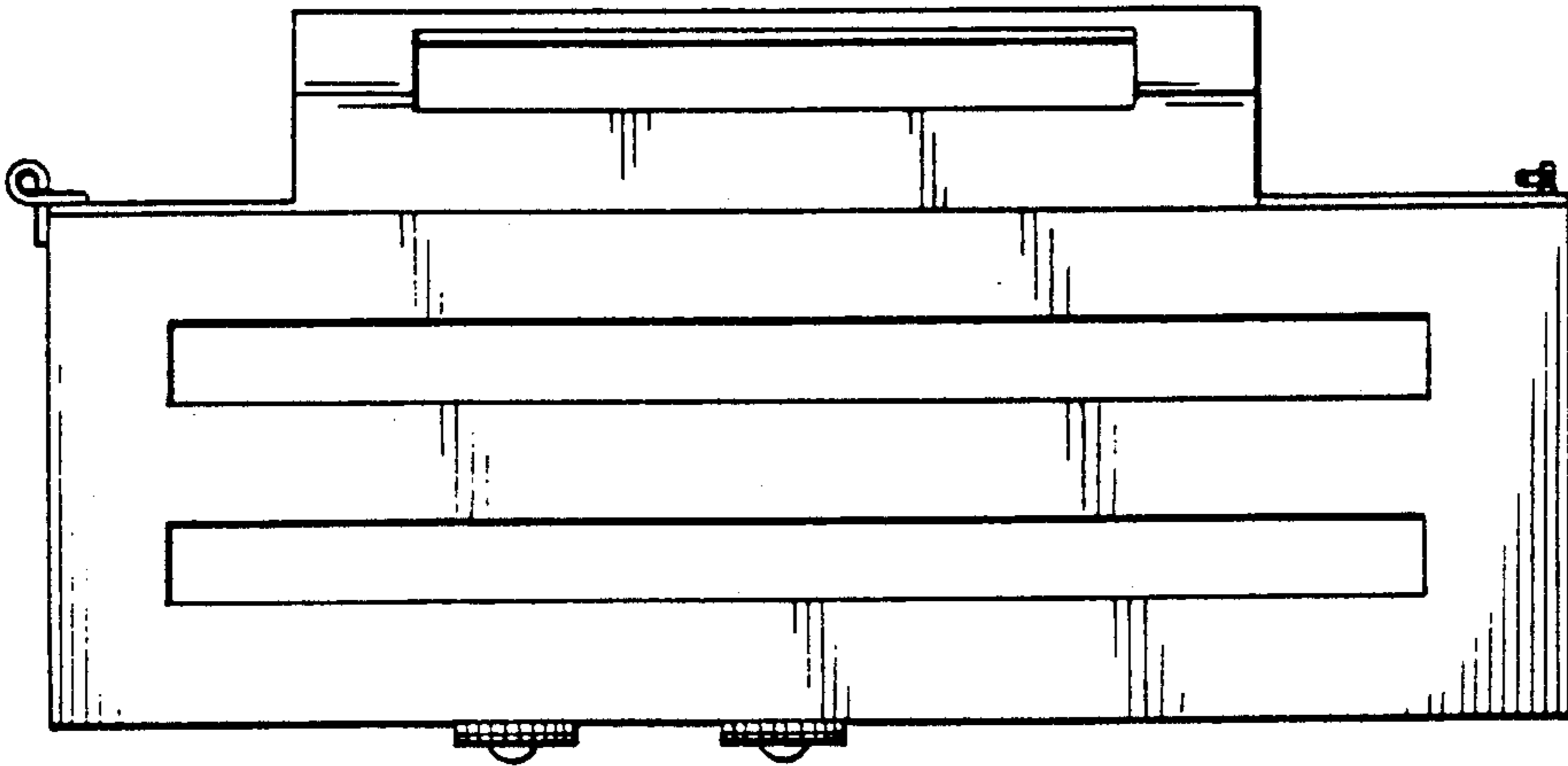


FIG. 11

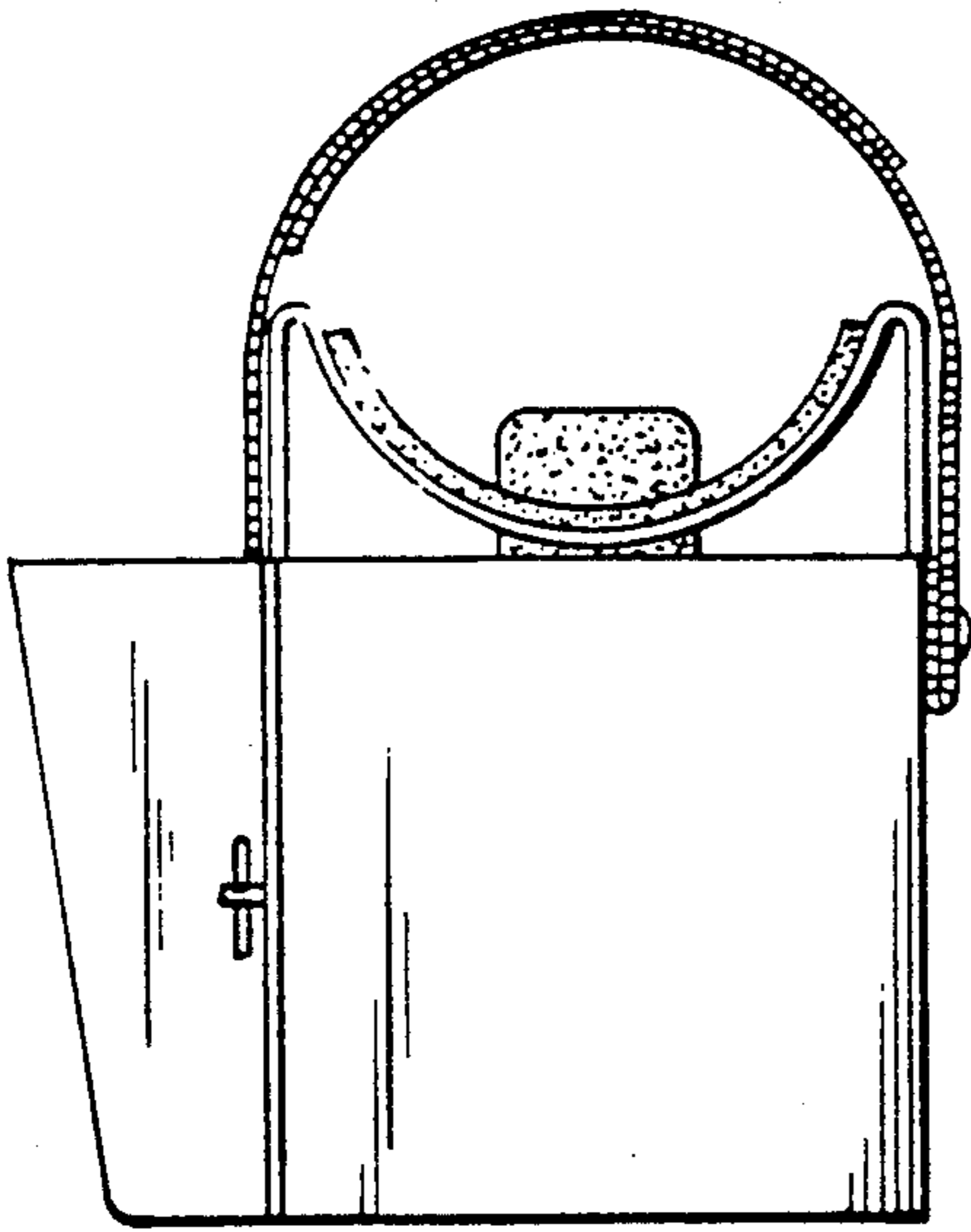


FIG. 12

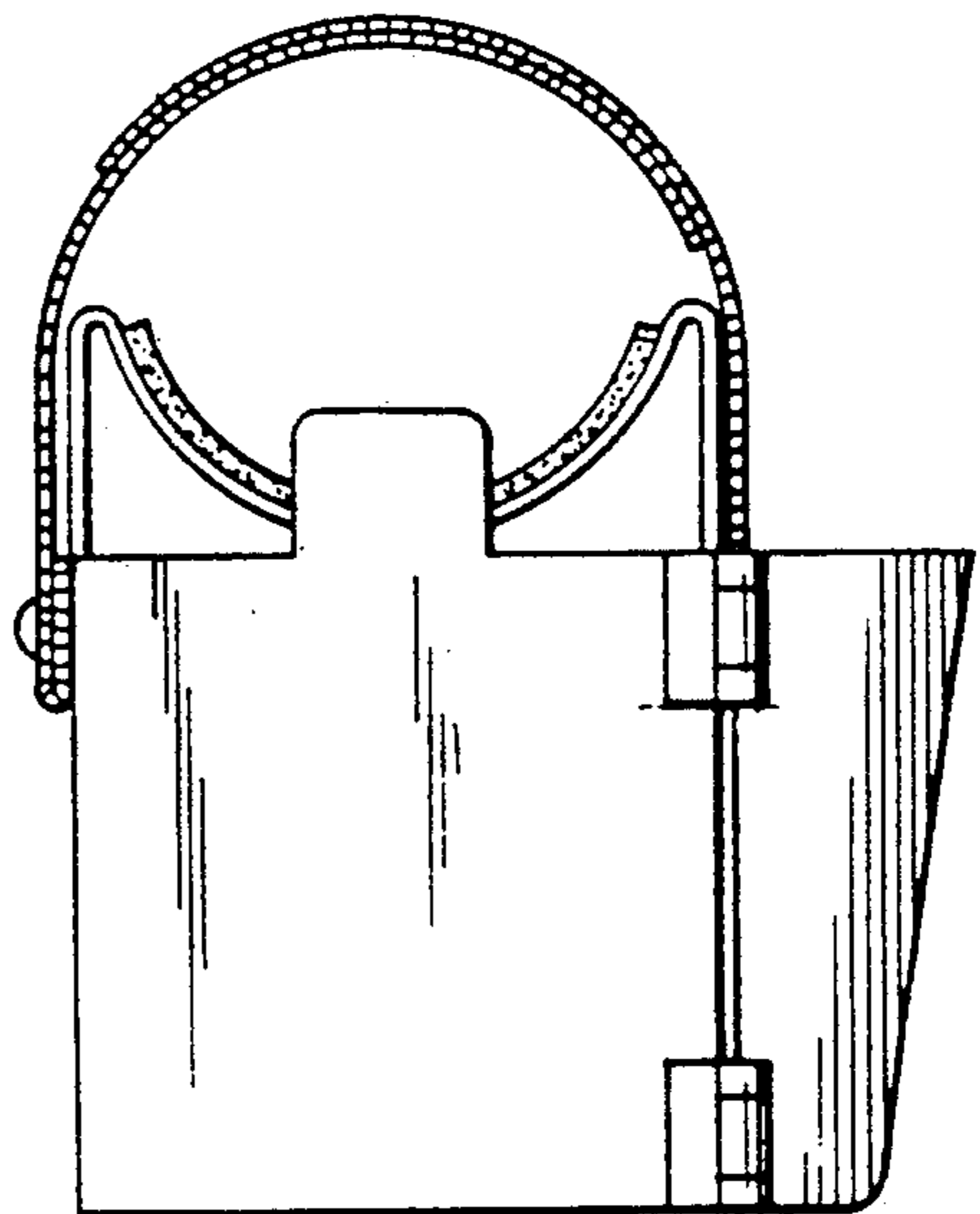


FIG. 13