

[54] UNIFORM FOR MARTIAL ARTS OR THE LIKE

[76] Inventor: Robert W. Clark, 1906 Rose Valley Rd., Kelso, Wash. 98626

[**] Term: 14 Years

[21] Appl. No.: 37,578

[22] Filed: Apr. 13, 1987

[52] U.S. Cl. D2/30; D2/8; D2/28; D2/29; D2/79

[58] Field of Search D2/1, 4, 6, 7, 8, 12, D2/13, 17, 25, 28, 29, 30, 32, 76, 77, 79, 80, 183, 187, 189, 204, 206, 208, 209, 215, 221, 225; 2/102, 212, 401, 227, DIG. 4, DIG. 7

[56] References Cited

U.S. PATENT DOCUMENTS

3,086,214	4/1963	Lash	D2/28
3,585,640	6/1971	Belkin	D2/17
4,371,989	2/1983	Polsky	2/227

OTHER PUBLICATIONS

Black Belt: 6-1986; p. 38, Martial Arts ensemble left (lower corner) of page.

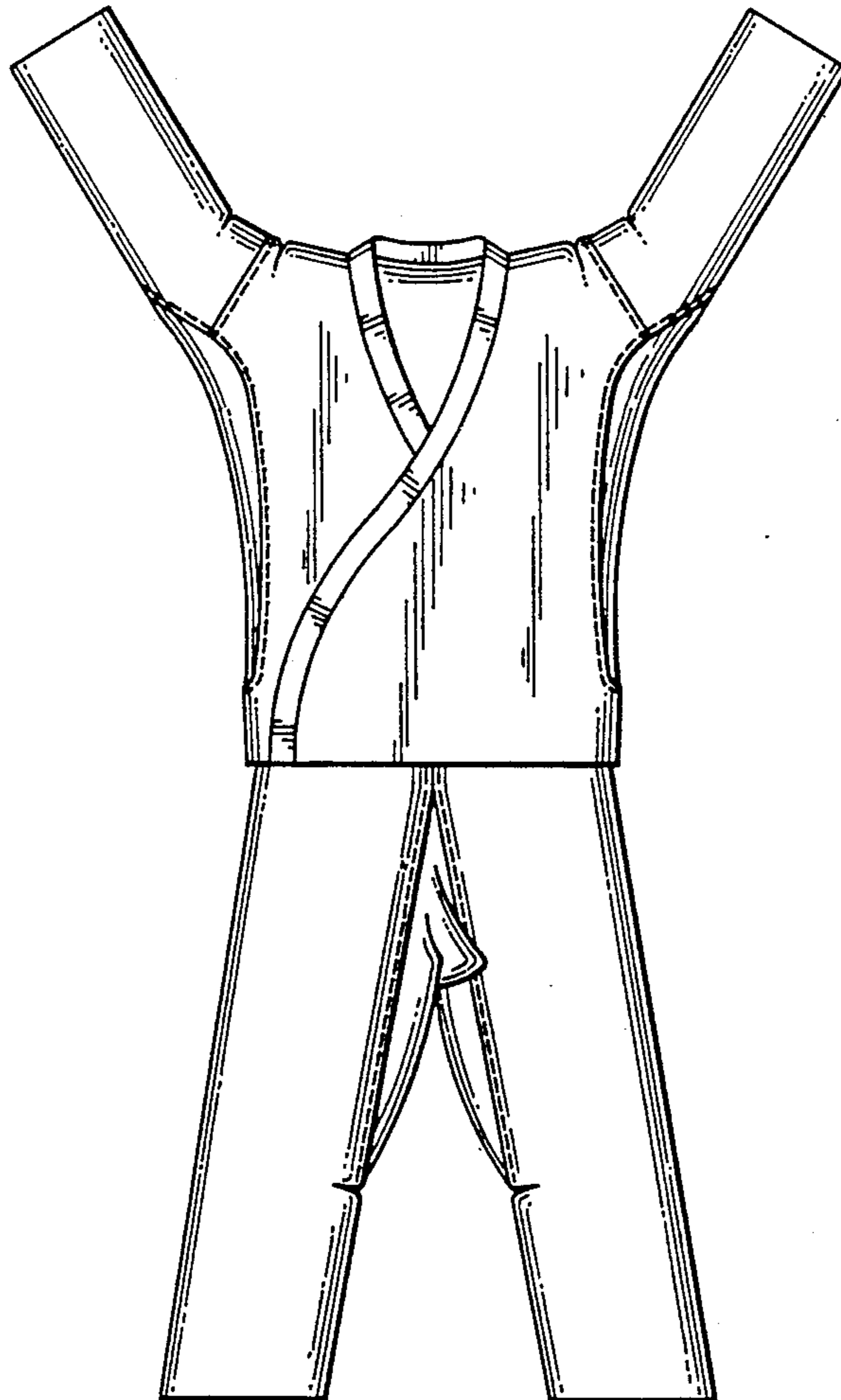
Primary Examiner—A. Hugo Word
Assistant Examiner—Celia A. Murphy
Attorney, Agent, or Firm—Dellett, Smith-Hill and Bedell

[57] CLAIM

The ornamental design for a uniform for martial arts or the like, as shown and described.

DESCRIPTION

FIG. 1 is a front elevational view of the top portion of a uniform for martial arts or the like showing my new design;
 FIG. 2 is a left side elevational view thereof;
 FIG. 3 is a rear elevational view thereof;
 FIG. 4 is a right side elevational view thereof;
 FIG. 5 is a front elevational view of the trouser portion of a uniform for martial arts or the like showing my new design;
 FIG. 6 is a top plan view of FIG. 5;
 FIG. 7 is a bottom plan view of FIG. 5;
 FIG. 8 is a left side elevational view of FIG. 5; the right side being substantially identical;
 FIG. 9 is a sectional view taken on line 9—9 of FIG. 5;
 FIG. 10 is a front elevational view of a uniform for martial arts or the like showing my new design; and
 FIG. 11 is a rear elevational view of the trouser portion, the legs being shown extended to 180 degrees.



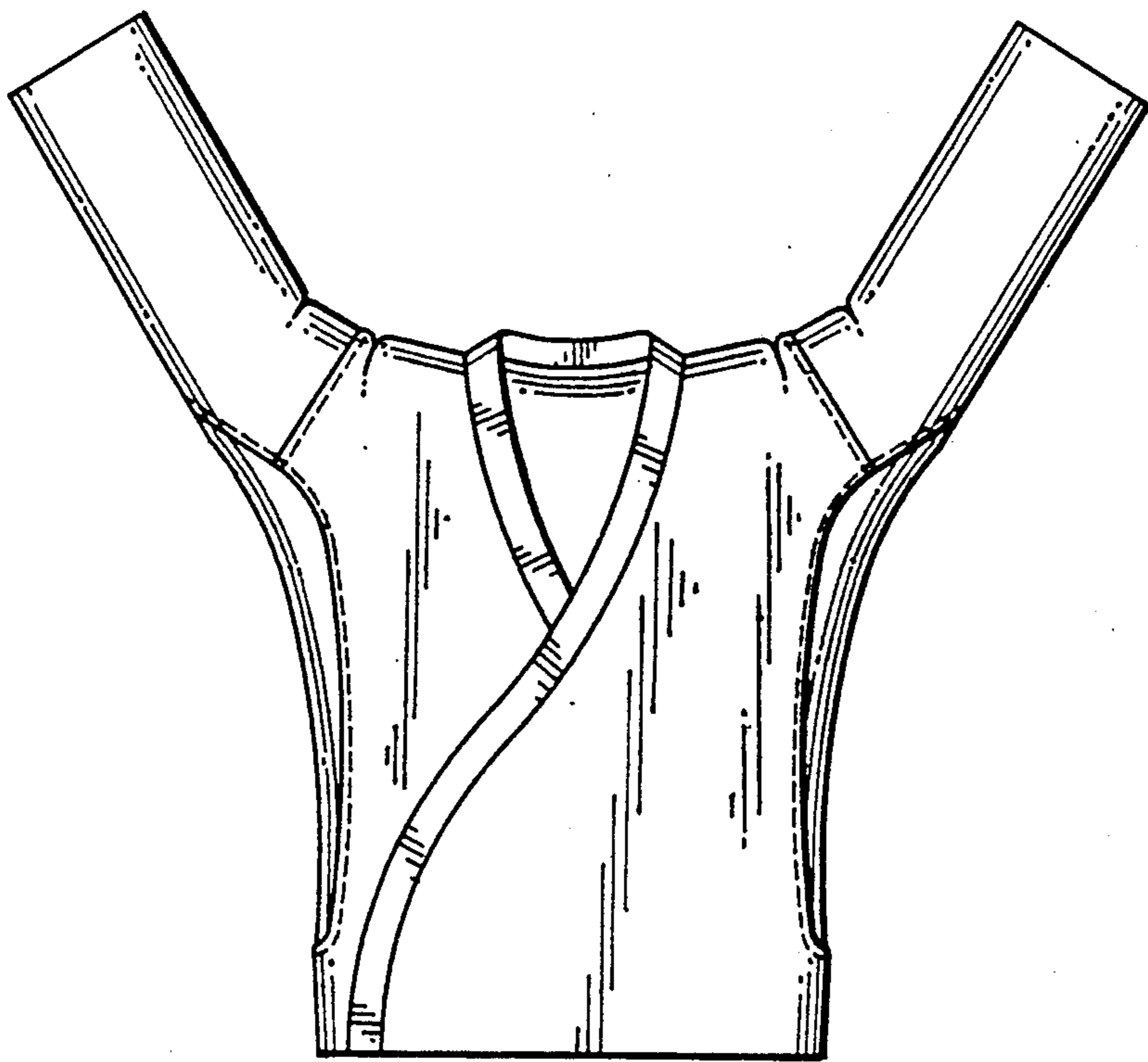


FIG. 1

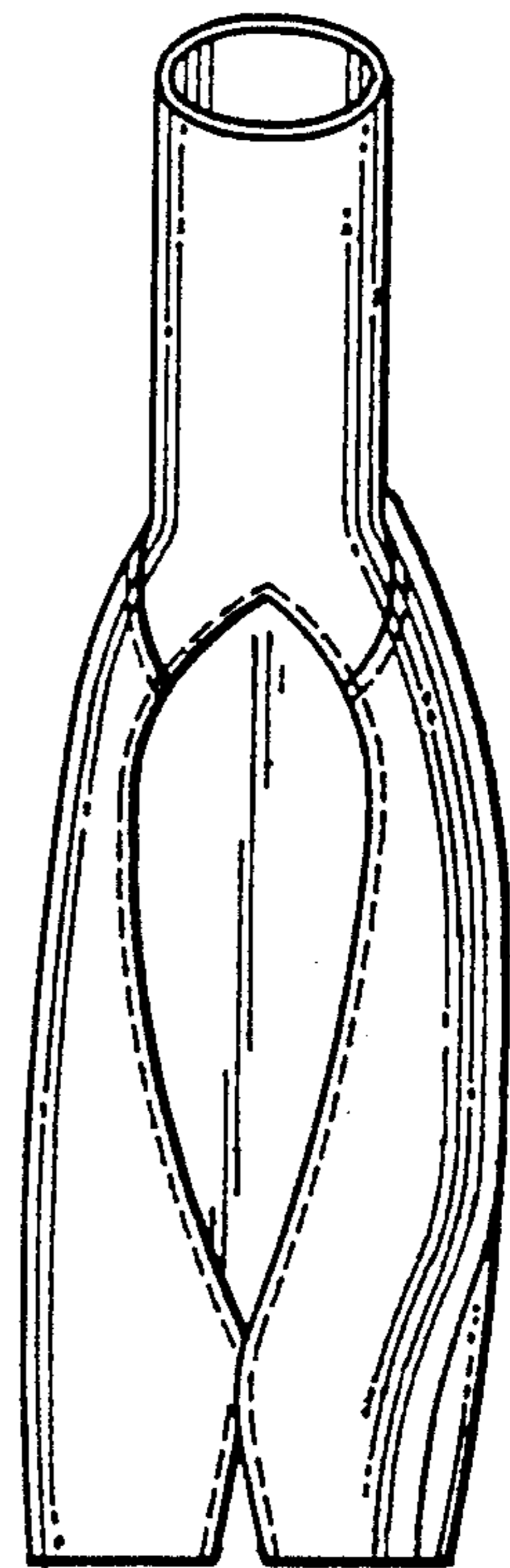


FIG. 2

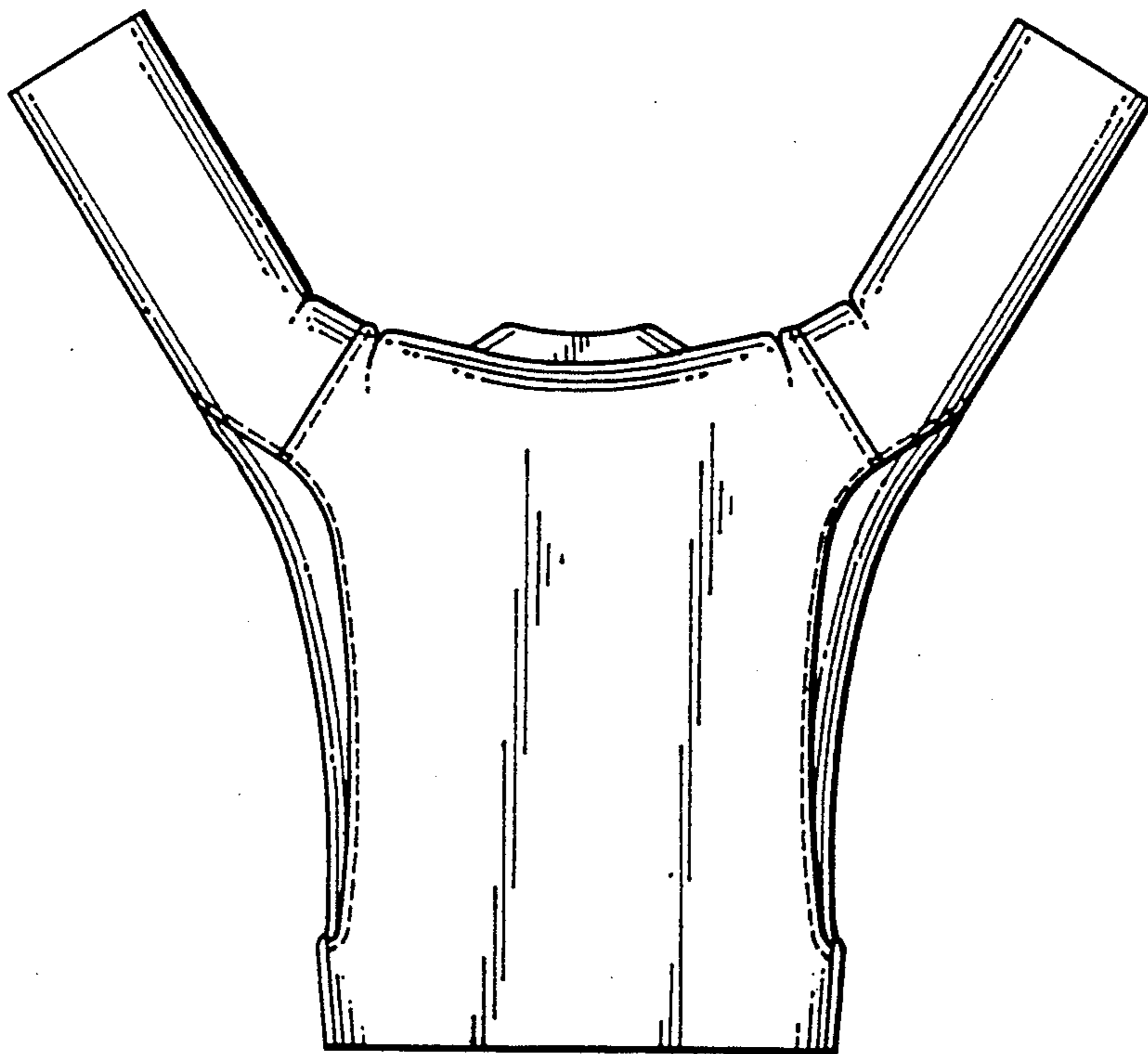


FIG. 3

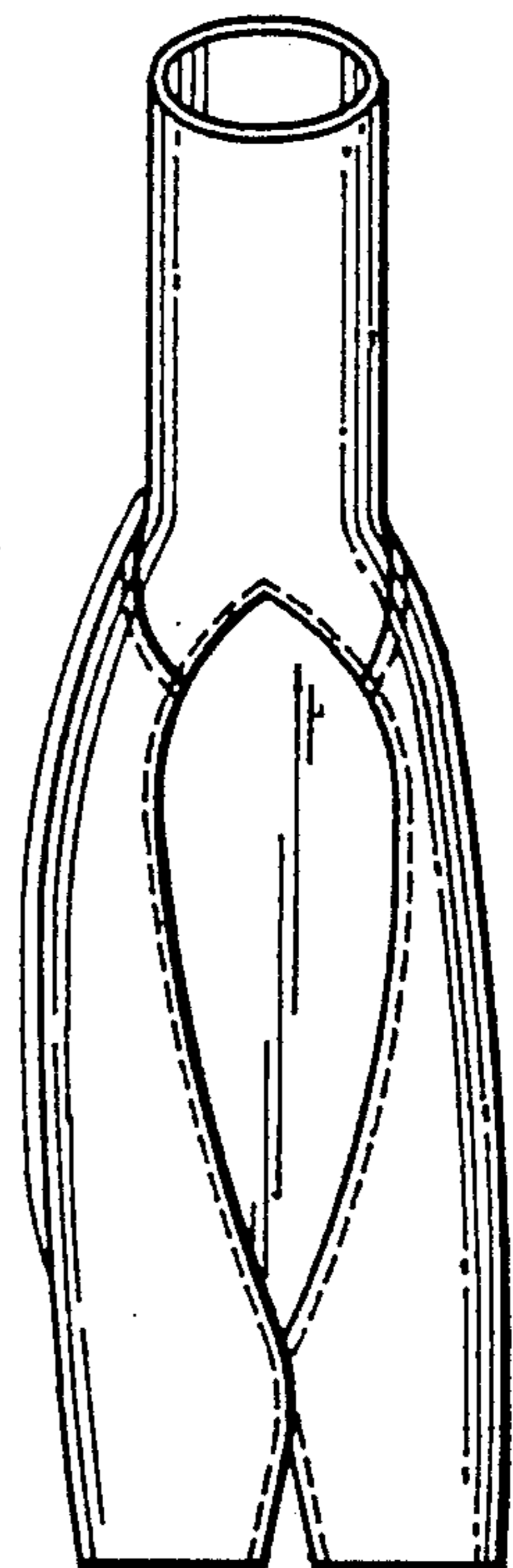


FIG. 4

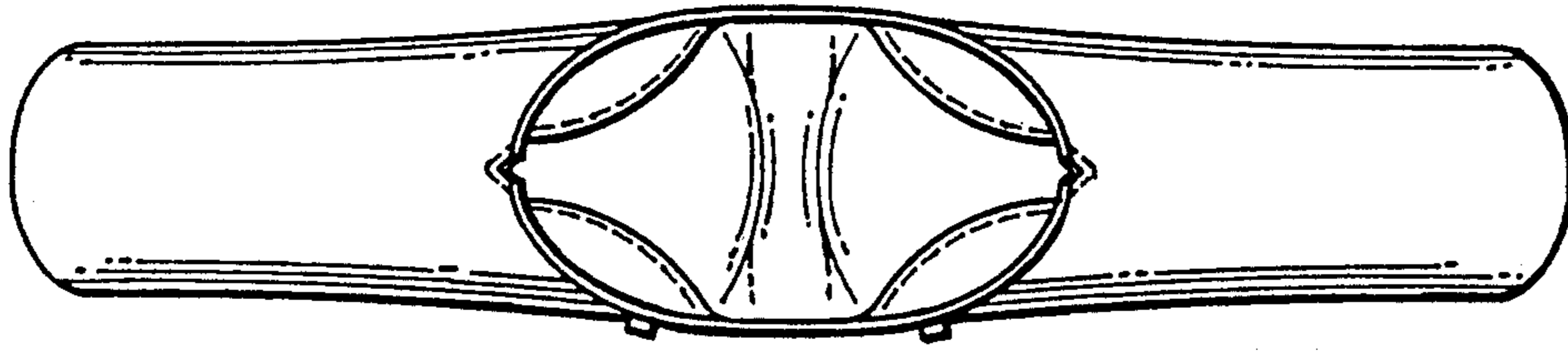


FIG. 6

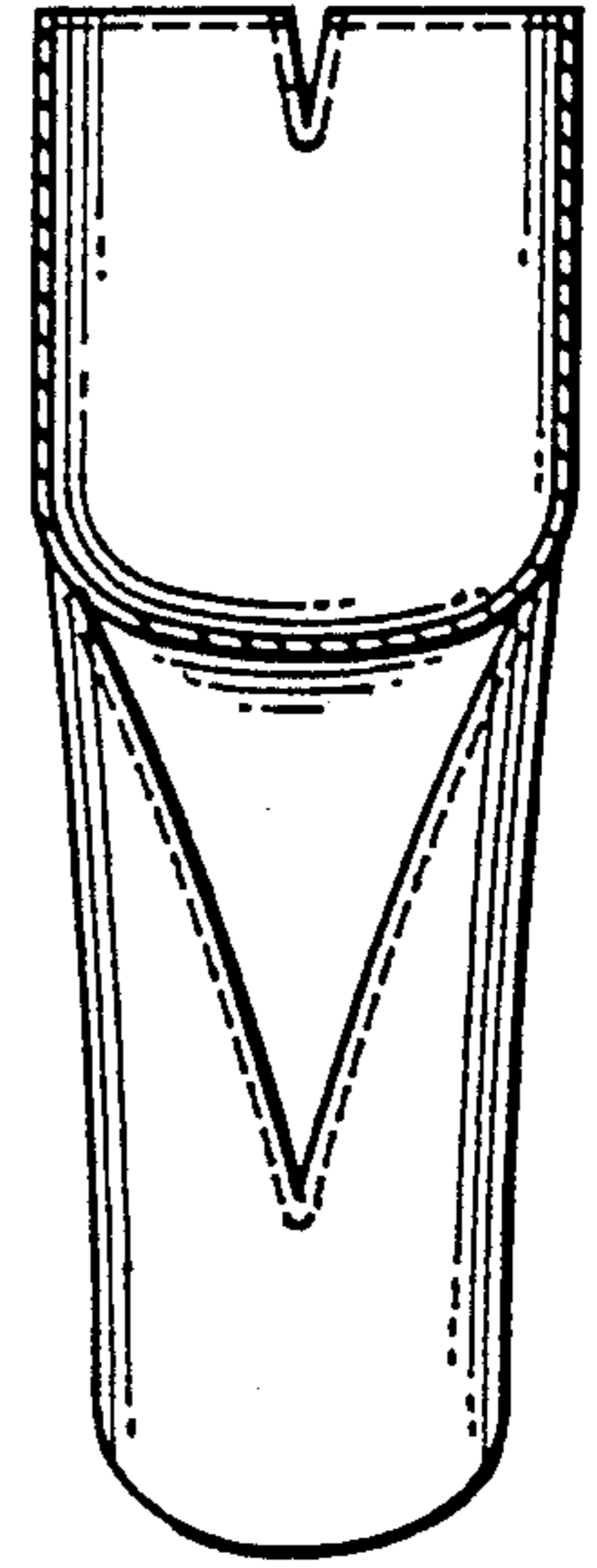


FIG. 9

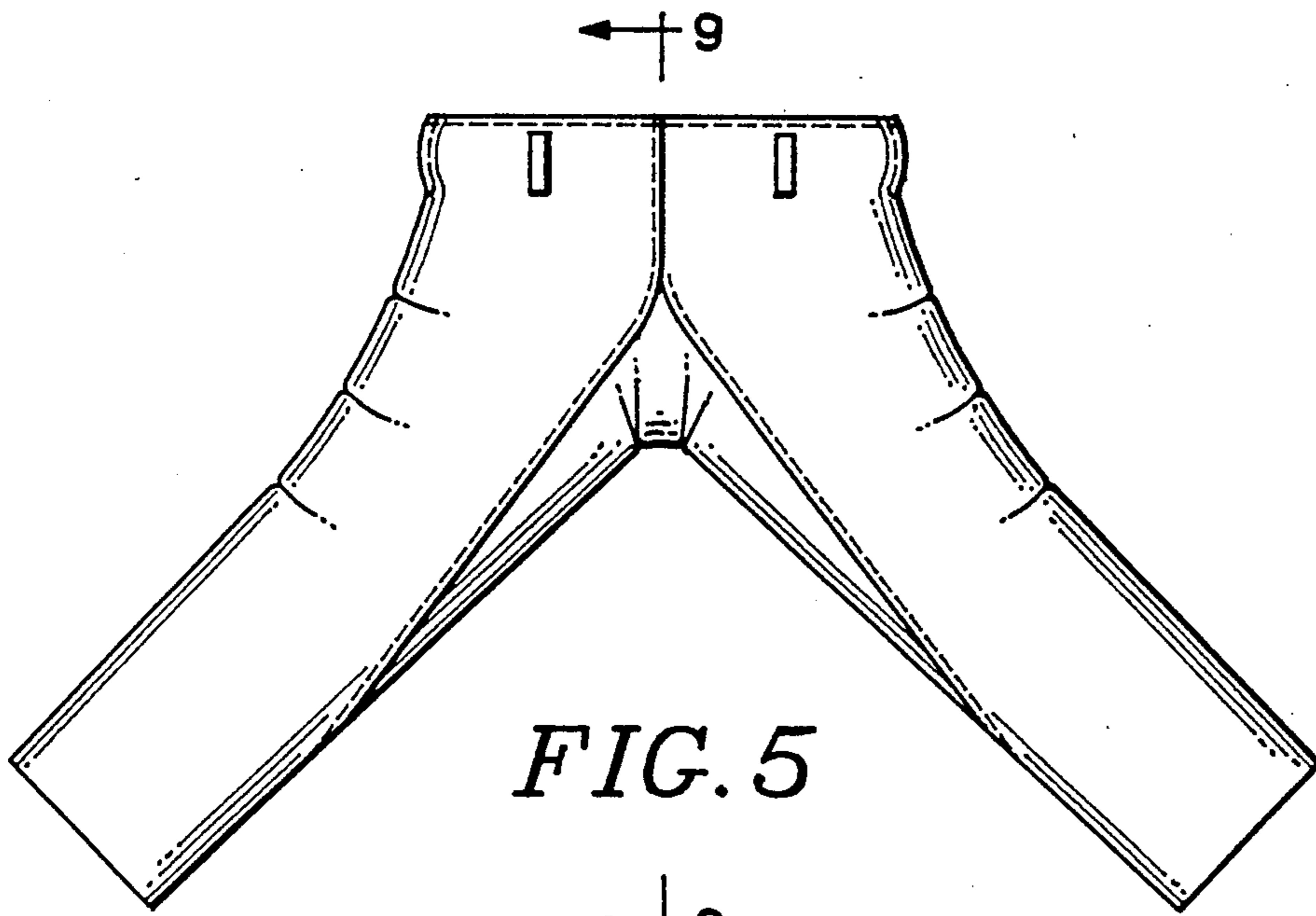


FIG. 5

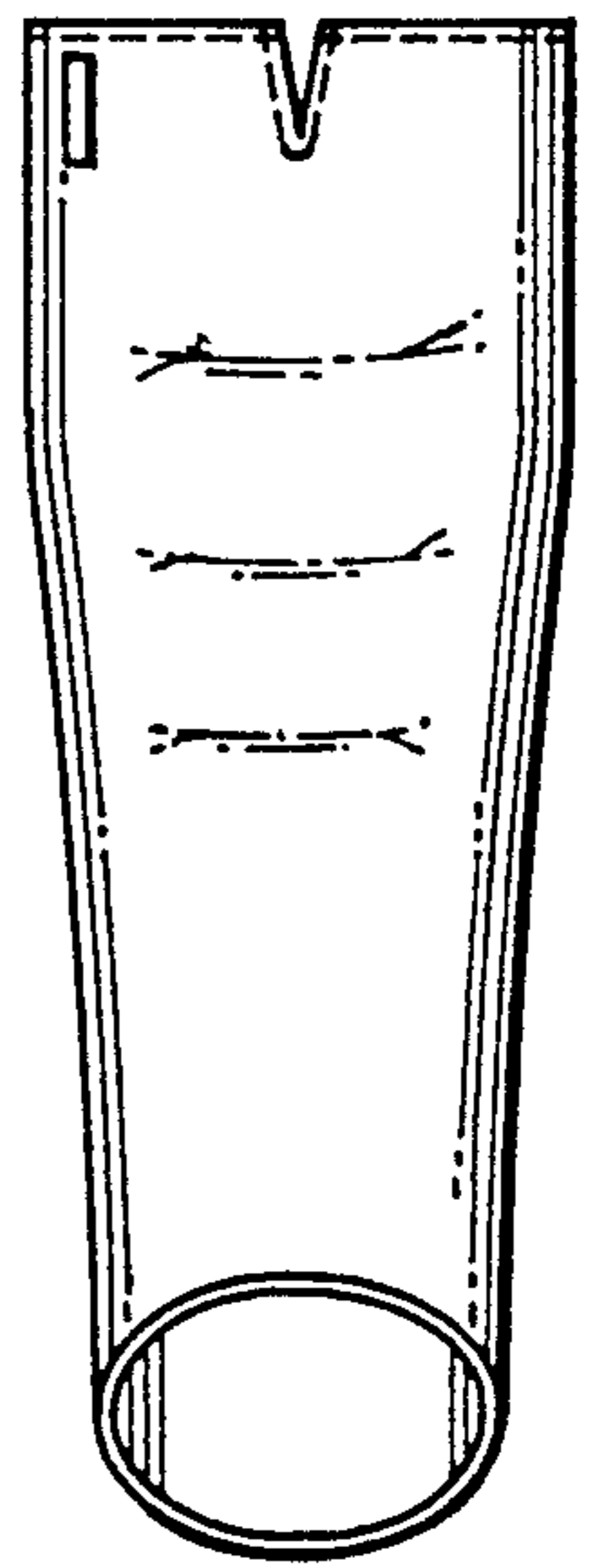


FIG. 8

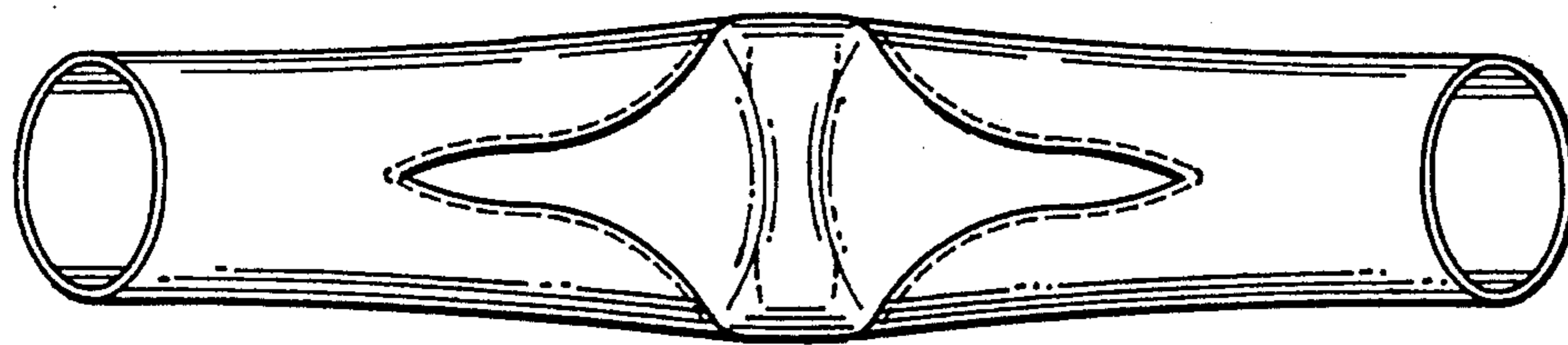


FIG. 7

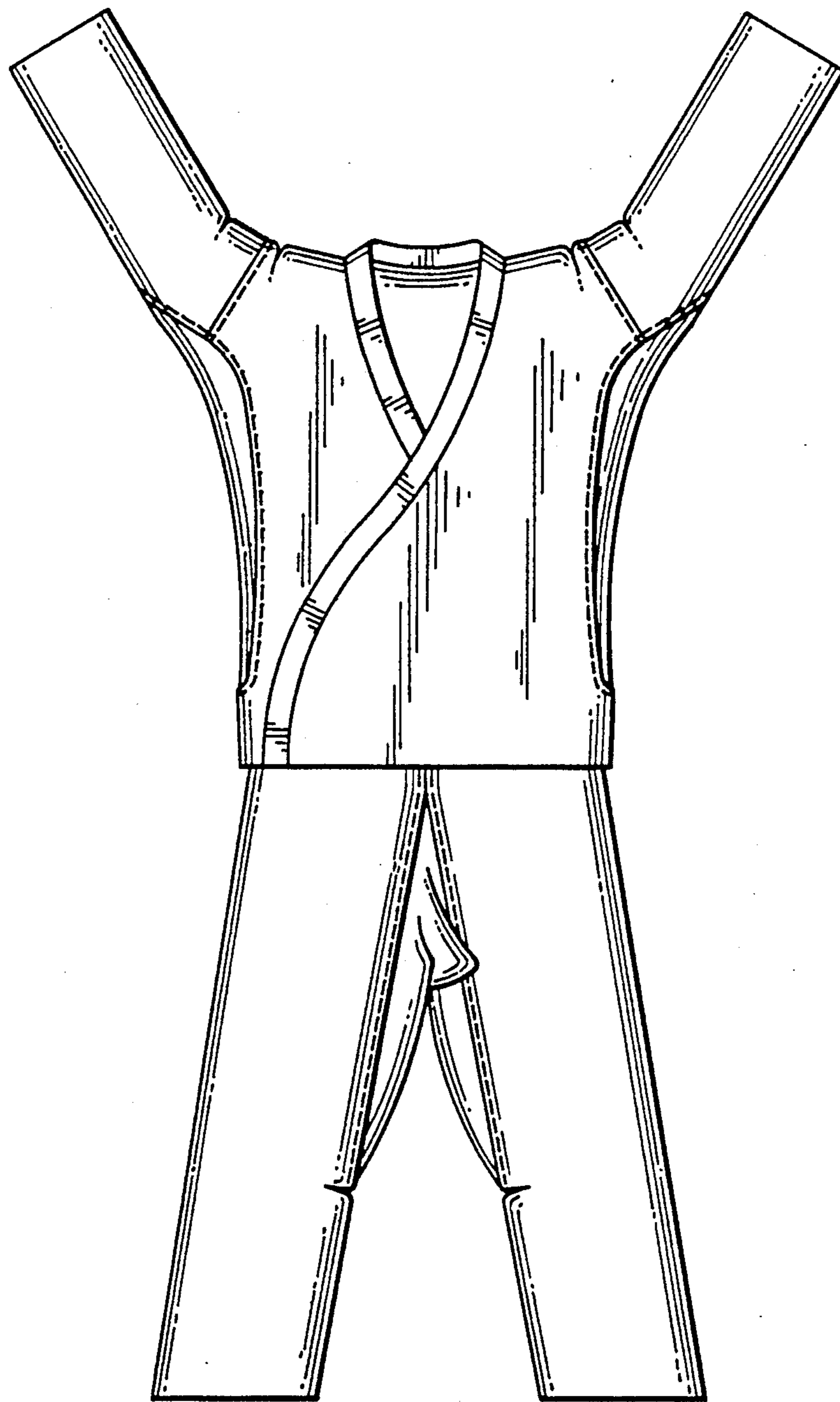


FIG. 10

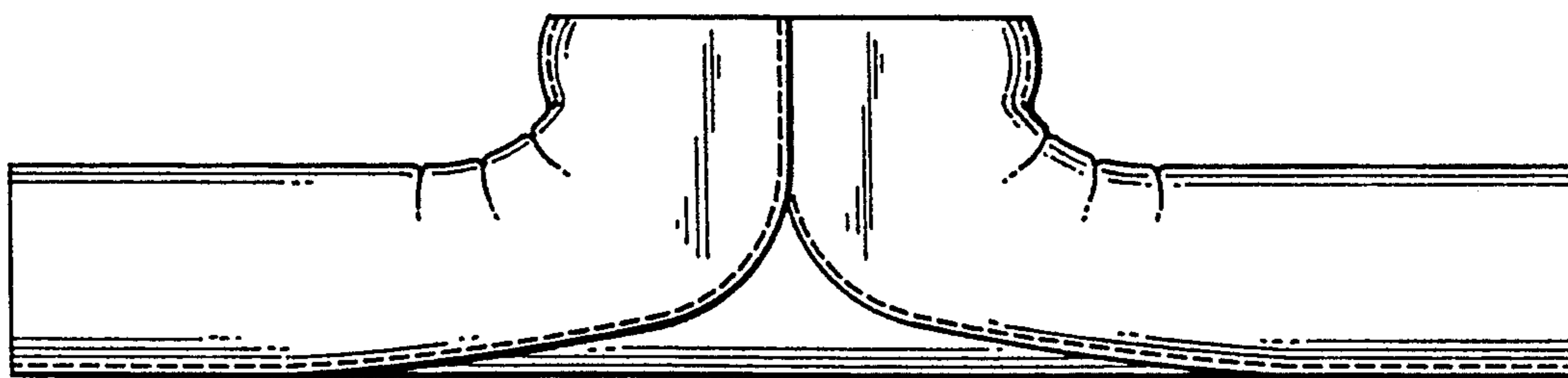


FIG. 11