

[54] BOTTLE CASE

[75] Inventor: Hans Umiker, Egg, Switzerland

[73] Assignee: Schoeller-Plast SA, Romont, Switzerland

[**] Term: 14 Years

[21] Appl. No.: 470,519

[22] Filed: Jan. 25, 1990

[30] Foreign Application Priority Data

Jul. 27, 1989 [WO] World Int. Prop. O. DM/014192

[52] U.S. Cl. D34/40

[58] Field of Search D34/40-46; 206/203, 201, 139, 499, 509, 503, 515, 508; 220/509, 23.6

[56] References Cited

U.S. PATENT DOCUMENTS

D. 152,907	3/1949	Richards	D34/45
D. 167,622	9/1952	Erickson	D34/43
D. 239,260	3/1976	Gale	D34/45
D. 246,287	11/1977	Tietz	D34/45
D. 269,657	7/1983	Taylor	D34/40 X
D. 281,367	11/1985	Stromberg	D34/40
3,380,616	4/1968	Schoeller	206/203 X
3,841,519	10/1974	Stromberg	206/509 X
4,210,265	7/1980	Steinlein	206/203 X

OTHER PUBLICATIONS

Lewisystems, 1/1983, p. 28, Model 200, bottom right of the page.

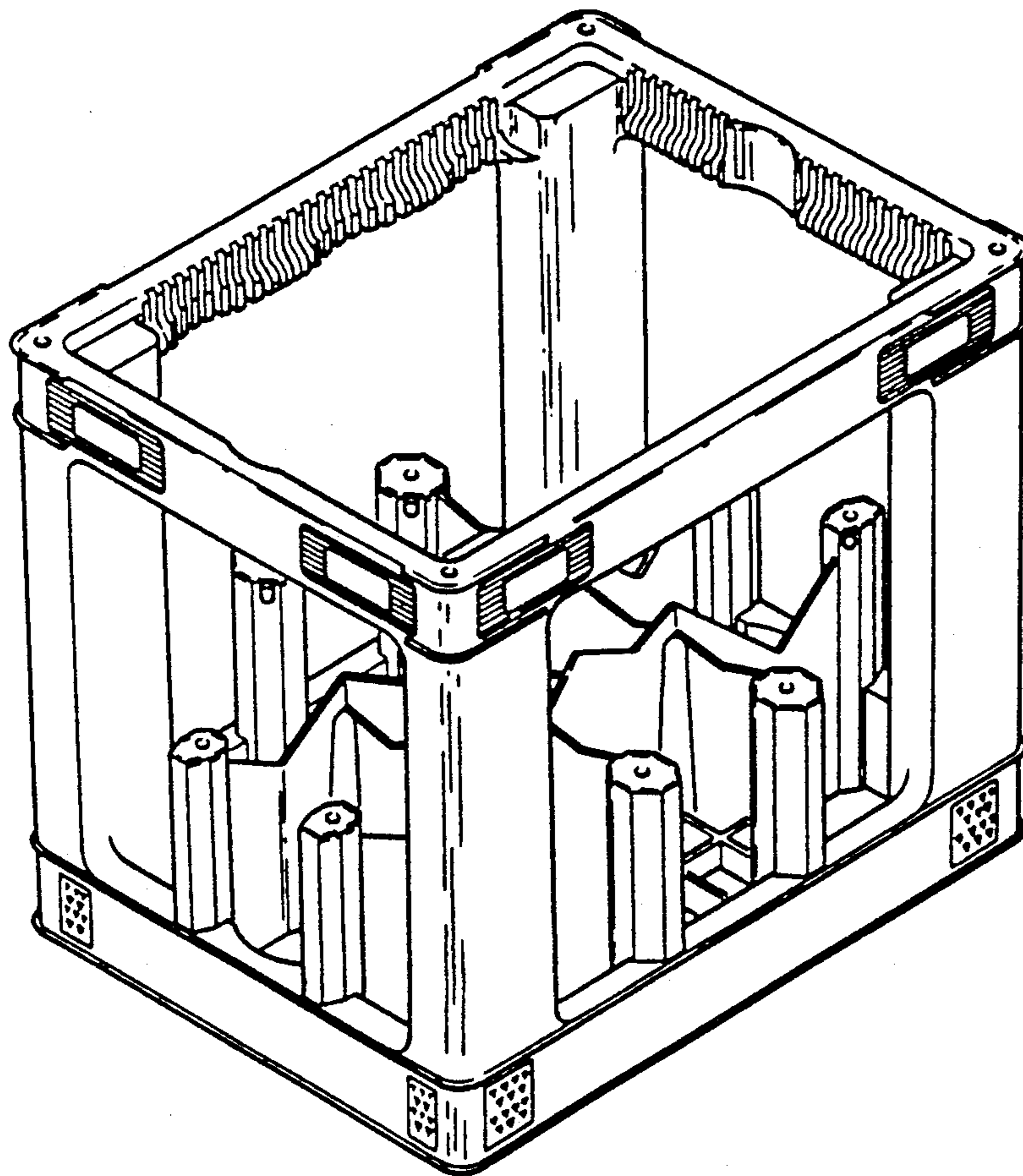
Primary Examiner—Bernard Ansher
Assistant Examiner—Prabhakar Deshmukh
Attorney, Agent, or Firm—Price, Heneveld, Cooper, DeWitt & Litton

[57] CLAIM

The ornamental design for a bottle case, as shown and described.

DESCRIPTION

FIG. 1 is a perspective view of a bottle case showing my new design;
FIG. 2 is a front elevation thereof; The rear elevation being a mirror image thereof;
FIG. 3 is a left side elevation thereof; The right side elevation being a mirror image thereof;
FIG. 4 is a perspective view of a second embodiment of FIG. 1;
FIG. 5 is a front elevational of FIG. 4; The rear elevation being a mirror image thereof;
FIG. 6 is a left side elevation of FIG. 4; The right side elevation being a mirror image thereof;
FIG. 7 is a top plan view of FIG. 1 and FIG. 4; and
FIG. 8 is a bottom plan view of FIG. 1 and FIG. 4.



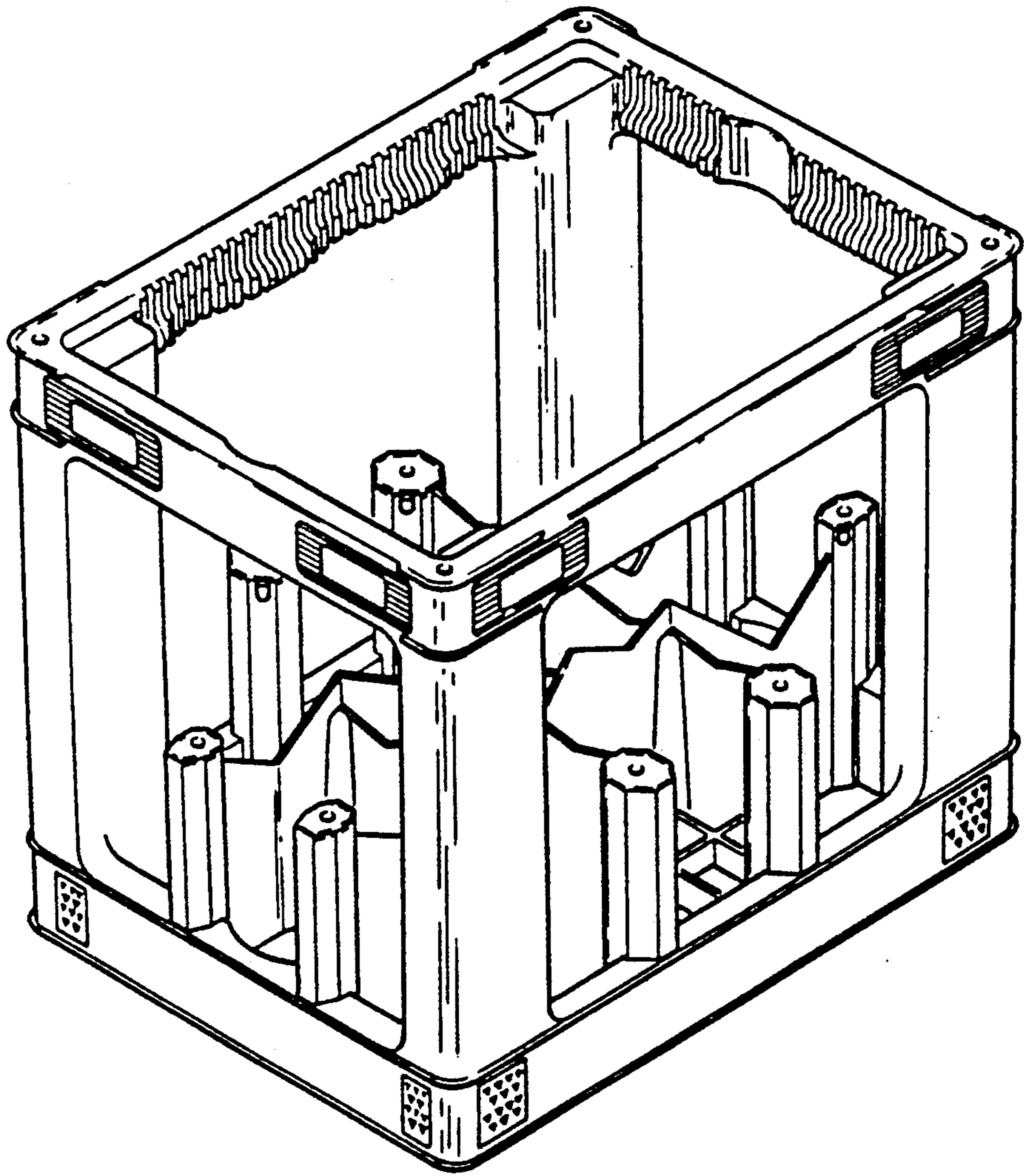


Fig. 1

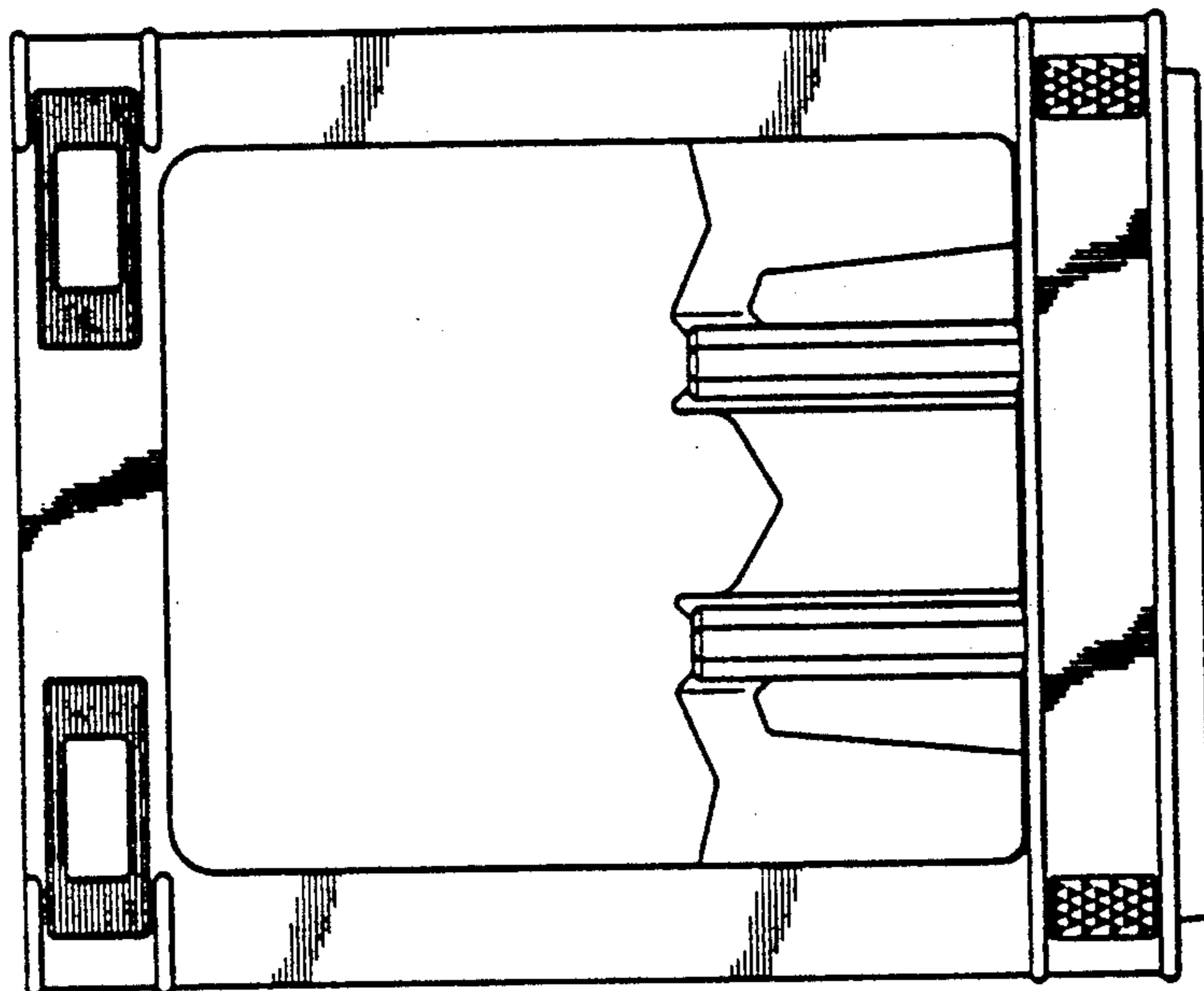


Fig. 3

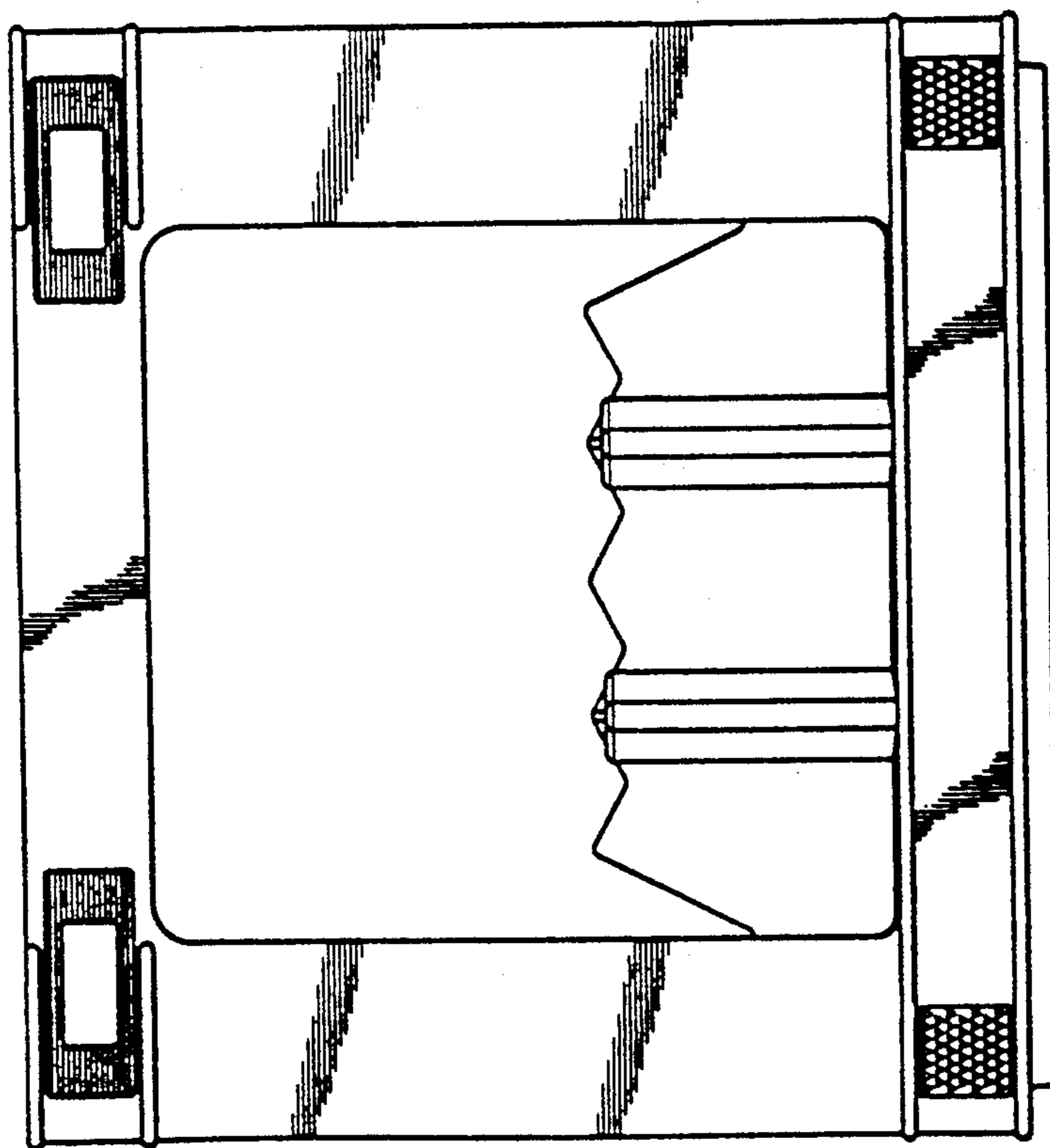


Fig. 2

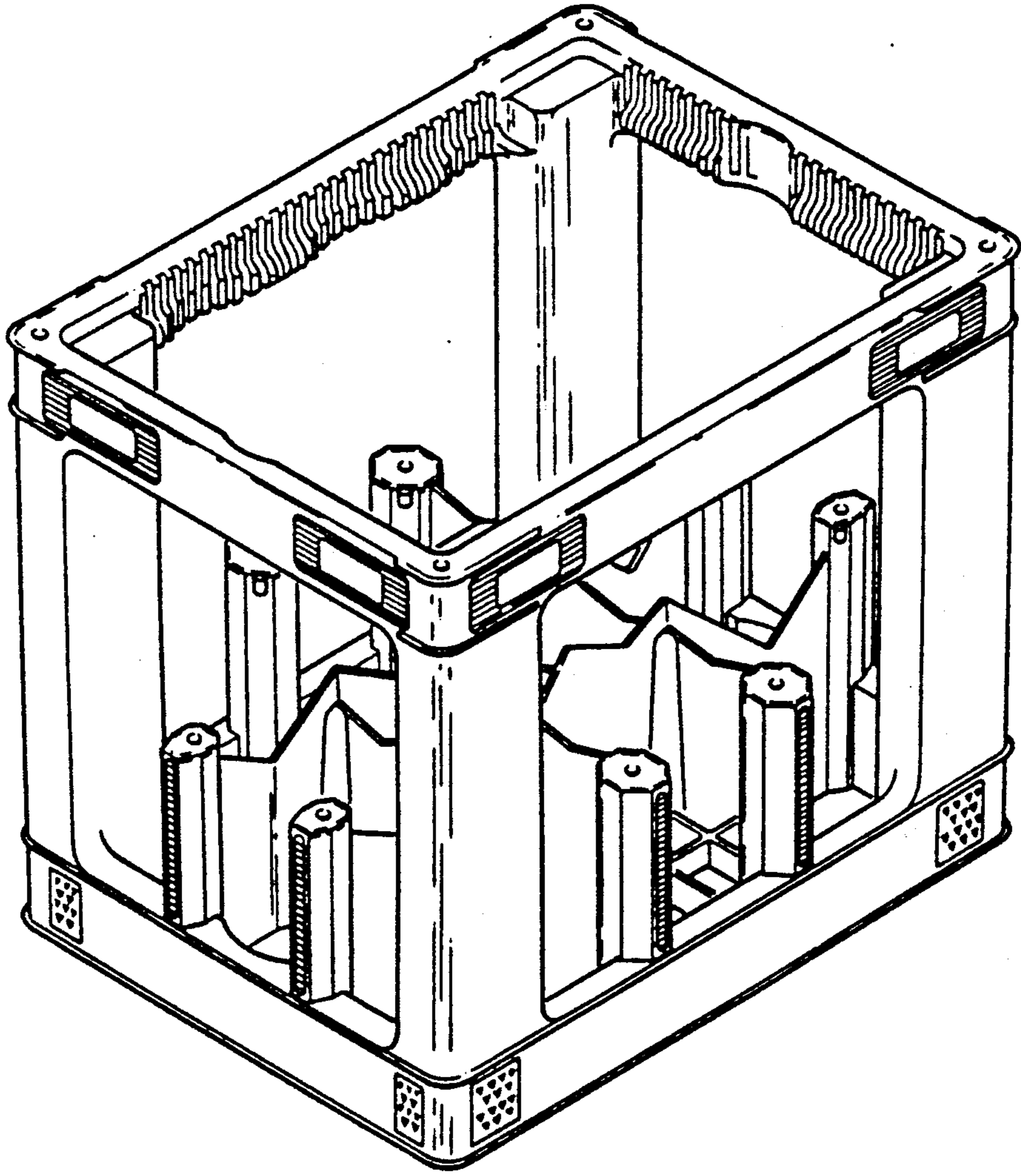


Fig. 4

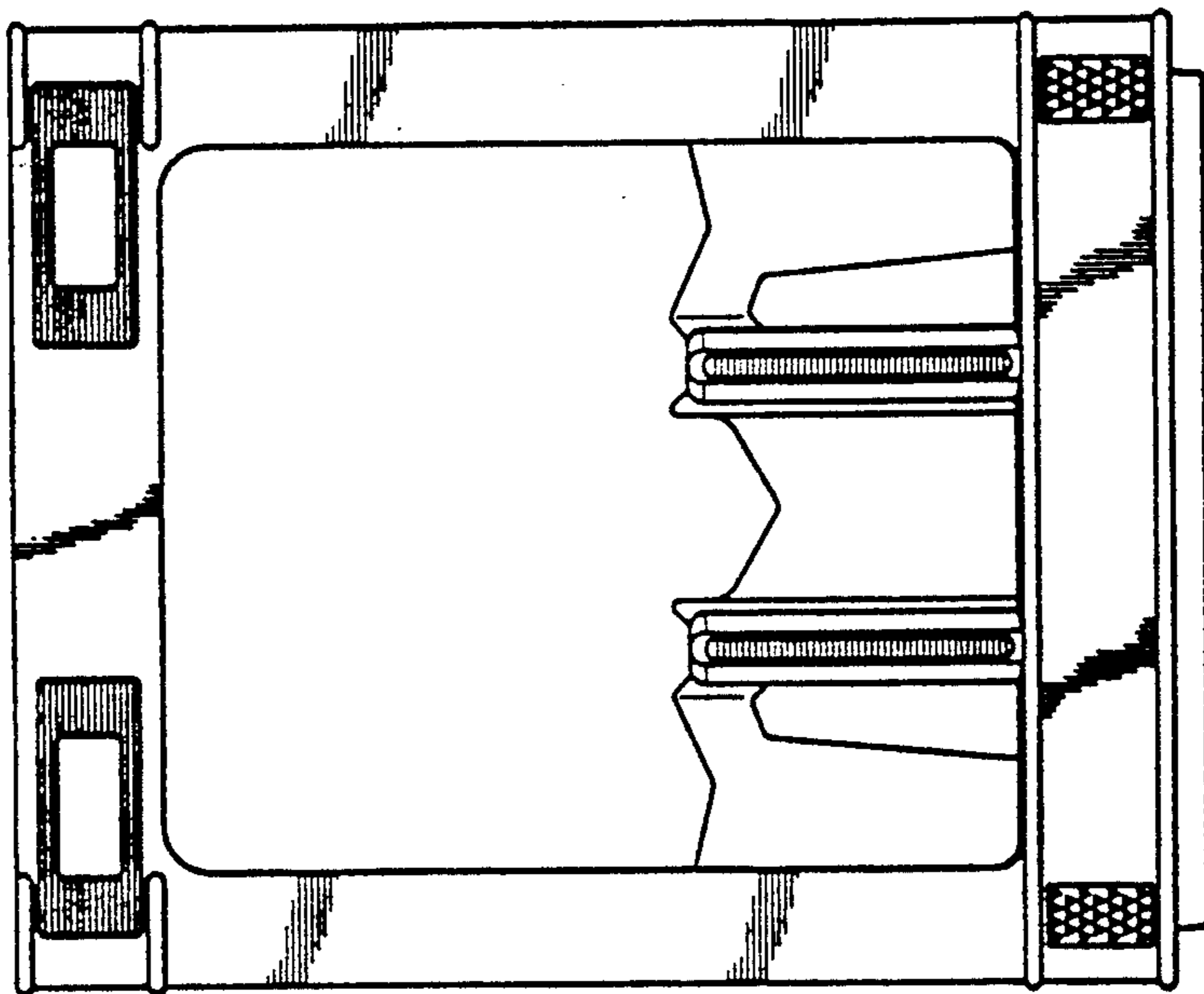


Fig. 6

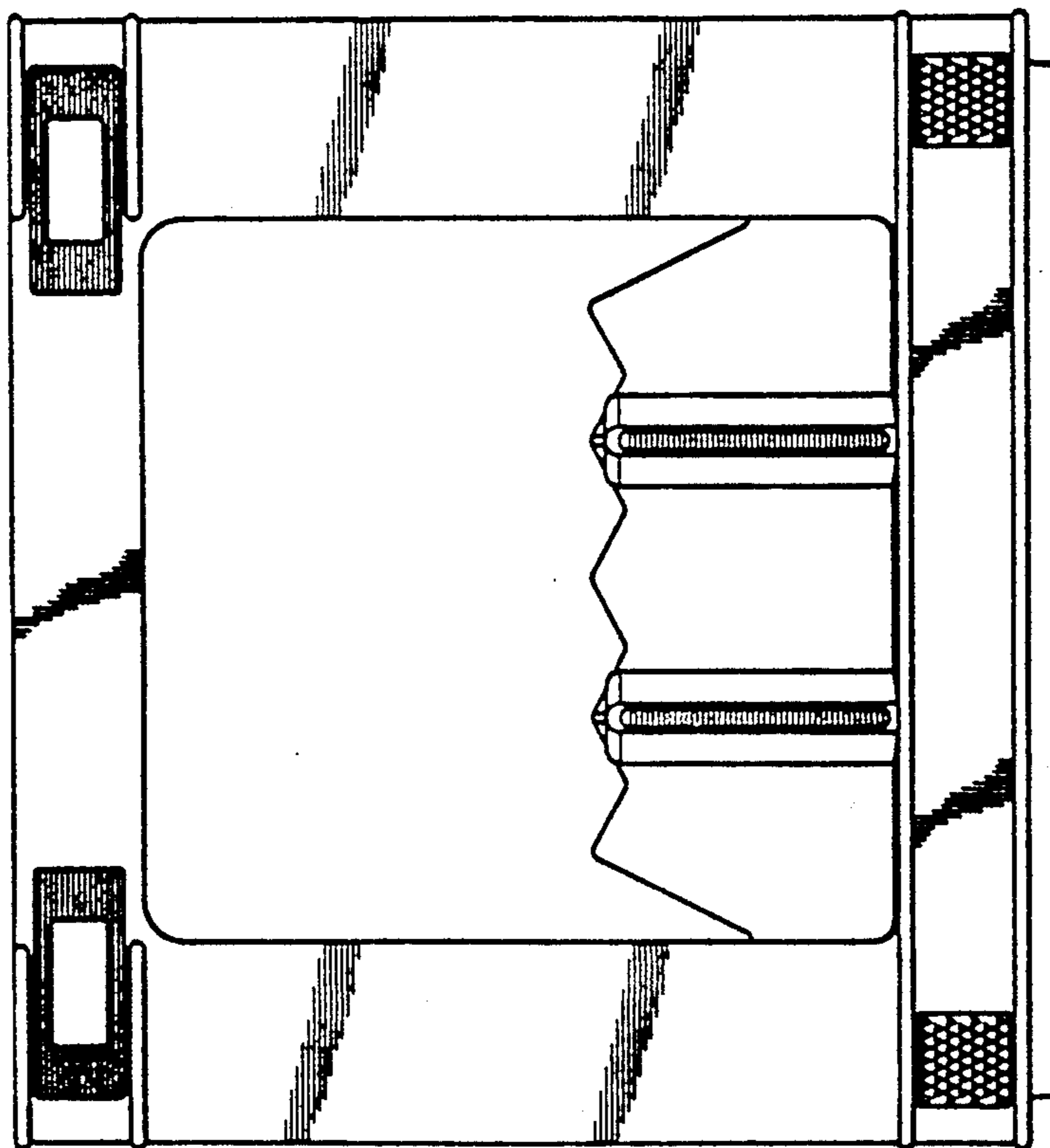


Fig. 5

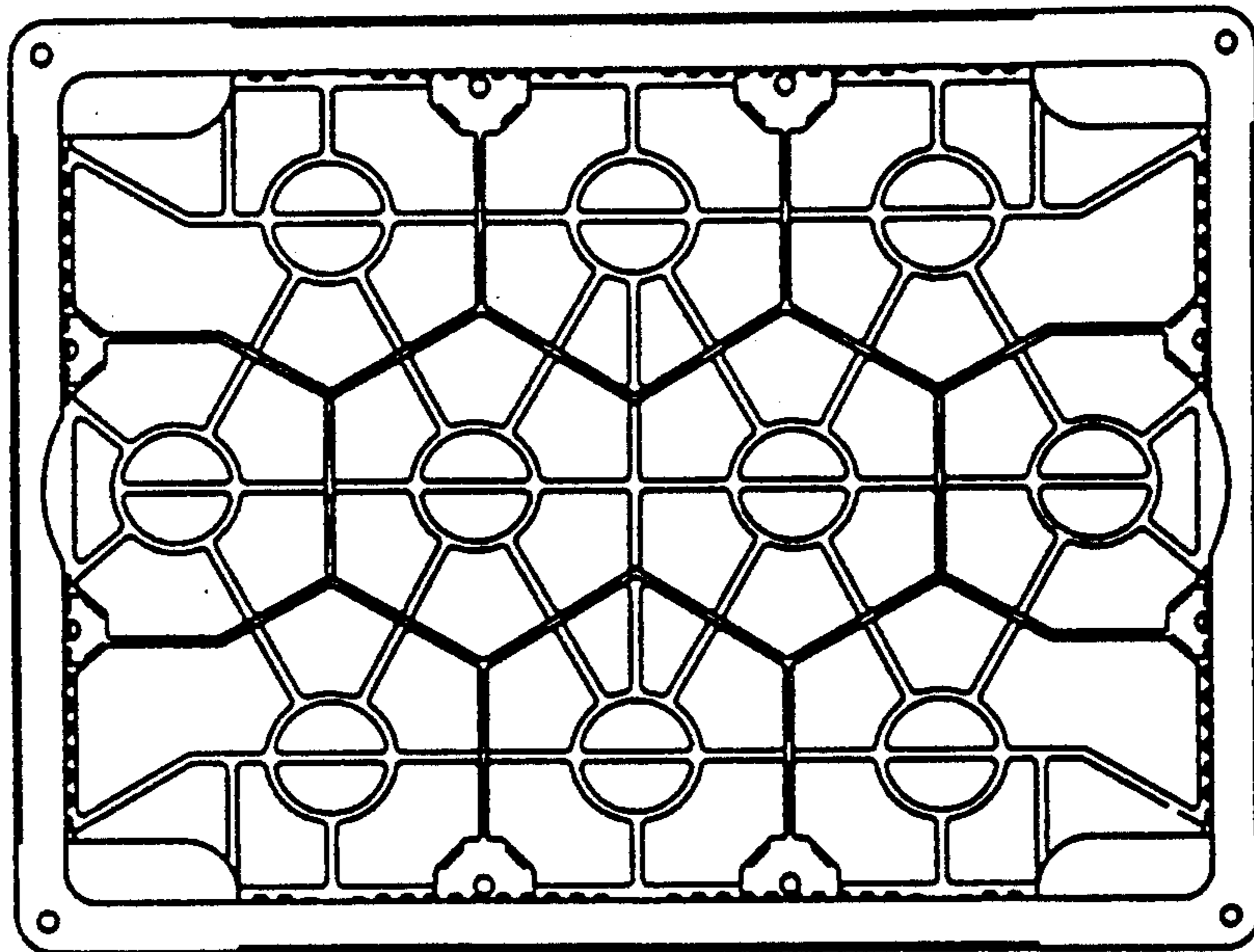


Fig. 7

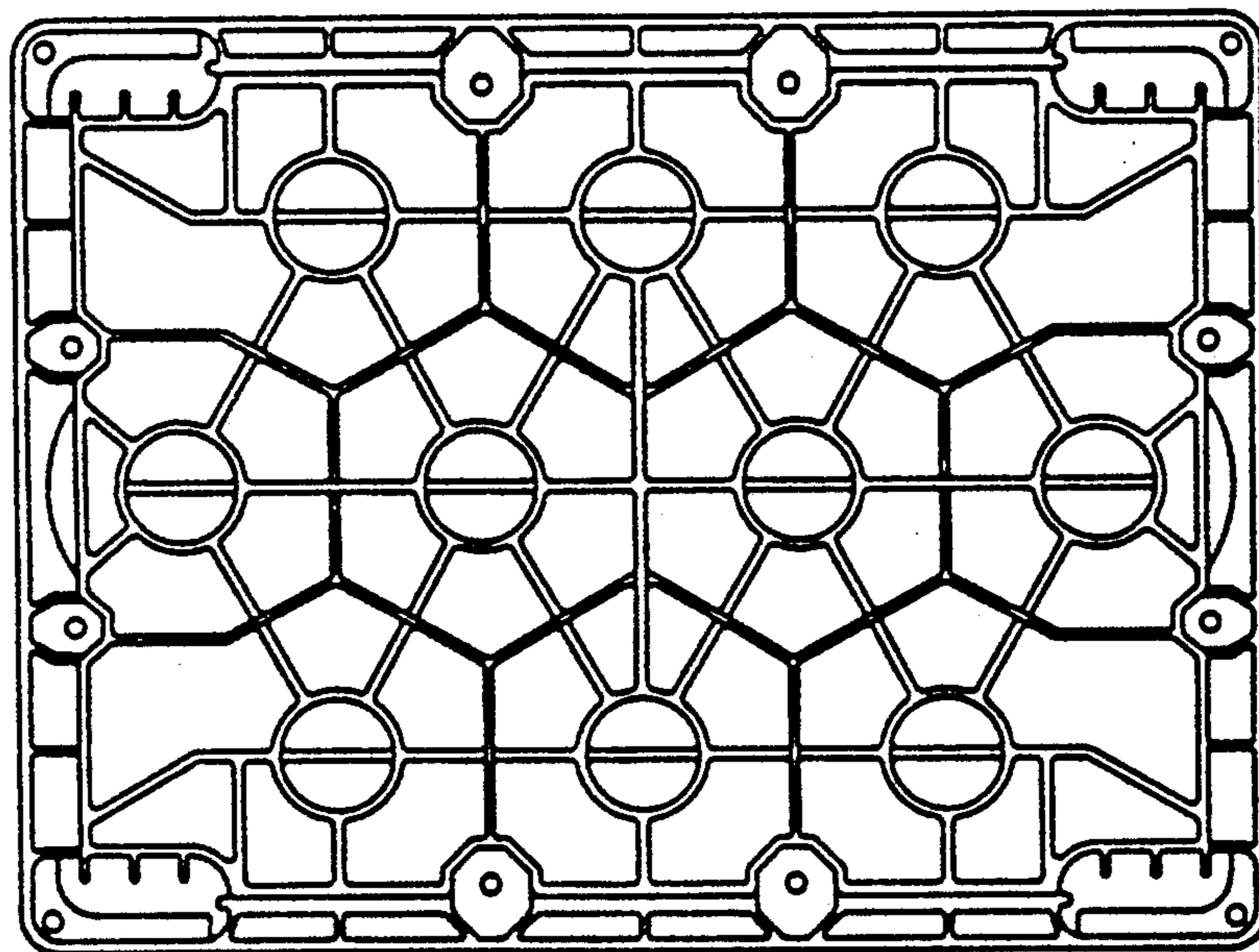


Fig. 8