

[54] VACUUM CLEANER

[76] Inventors: John F. Sovis, 1741 Stonecreek La.,  
Twinsburg, Ohio 44087; Craig M.  
Saunders, 21260 Stratford Ave.,  
Rocky River, Ohio 44116; Michael  
F. Wright, 538 Loomis Ave.,  
Cuyahoga Falls, Ohio 44221; James  
J. Kopco, 446 Richmond Park East -  
208A, Richmond Heights, Ohio  
44143

[\*\*] Term: 14 Years

[21] Appl. No.: 441,430

[22] Filed: Nov. 27, 1989

[52] U.S. Cl. .... D32/22

[58] Field of Search ..... D32/21, 22, 31, 34;  
15/323, 335, 347, 349, 350, 351, 361

[56] References Cited

U.S. PATENT DOCUMENTS

- D. 211,282 6/1968 Schaefer et al. .
- D. 223,773 6/1972 Lindstrom .
- D. 233,930 12/1974 Yoshida .
- D. 234,334 2/1975 Mims .
- D. 248,762 8/1978 Burgess et al. .
- D. 260,900 9/1981 Kao ..... D32/22

- D. 263,235 3/1982 Akita ..... D32/22
- D. 293,727 1/1988 Wareham et al. .... D32/22
- D. 293,728 1/1988 Ohhira et al. .... D32/22
- D. 299,176 12/1988 Bowerman et al. .... D32/22
- D. 301,784 6/1989 Petralia et al. .... D32/22
- D. 305,168 12/1989 Kroll ..... D32/22
- D. 307,658 5/1990 Ikeda et al. .... D32/22
- D. 309,806 8/1990 Chieda et al. .... D32/22
- 2,876,481 3/1959 Gerber et al. .... 15/331
- 2,898,621 8/1959 Vance ..... 15/324
- 4,217,674 8/1980 Hayashi et al. .... 15/361
- 4,446,594 5/1984 Watanabe et al. .... 15/323
- 4,571,772 2/1986 Dyson ..... 15/335
- 4,761,850 8/1988 Romeo et al. .... 15/323

Primary Examiner—A. Hugo Word

Assistant Examiner—Ruth McInroy

[57] CLAIM

The ornamental design for a vacuum cleaner, as shown.

DESCRIPTION

FIG. 1 is a right side elevational view of a vacuum cleaner showing our new design; FIG. 2 is a top plan view thereof; FIG. 3 is a left side elevational view thereof; FIG. 4 is a bottom plan view thereof; FIG. 5 is a front elevational view thereof; FIG. 6 is a rear elevational view thereof; and FIG. 7 is a front perspective view thereof.

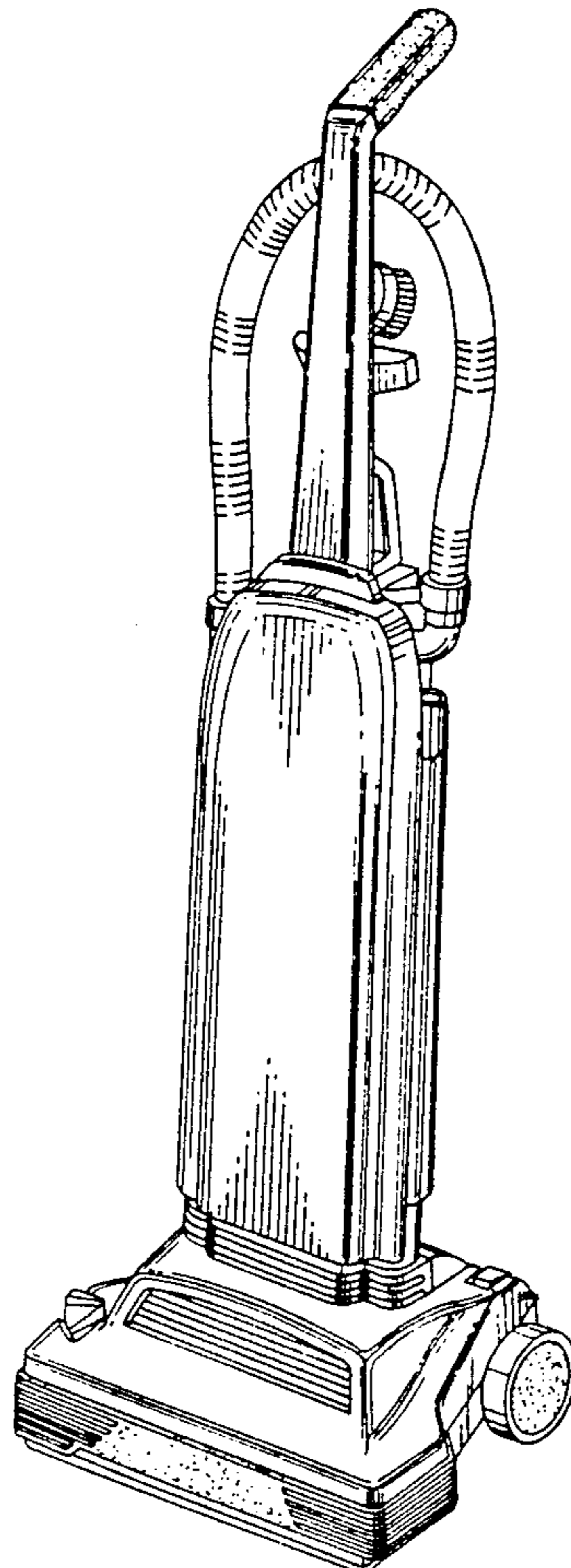


FIG. 1

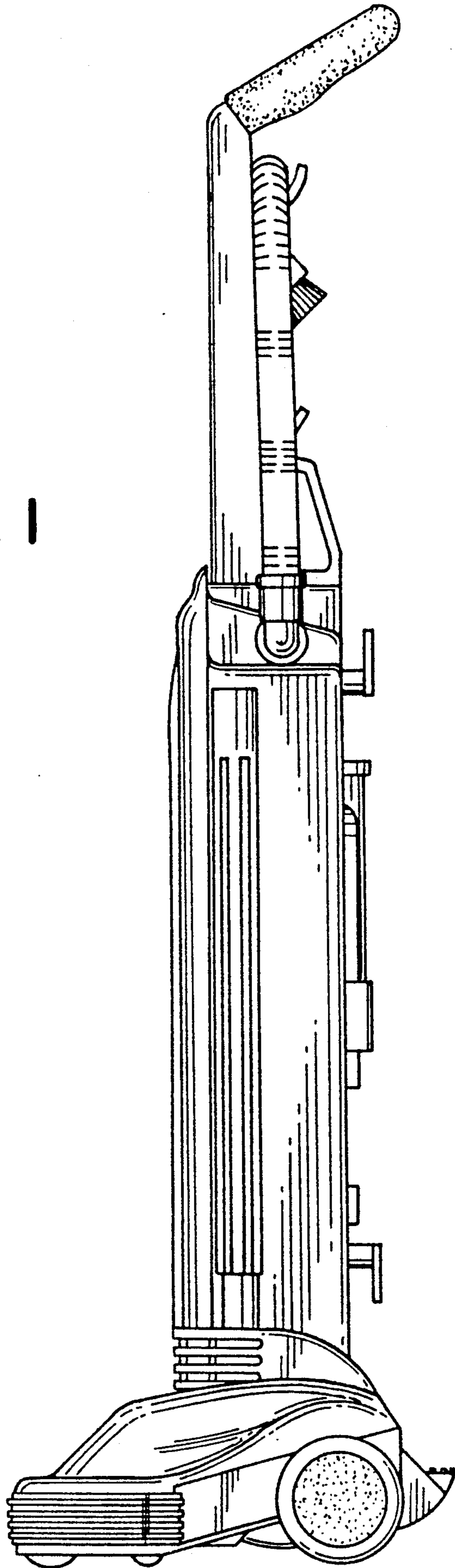


FIG. 2

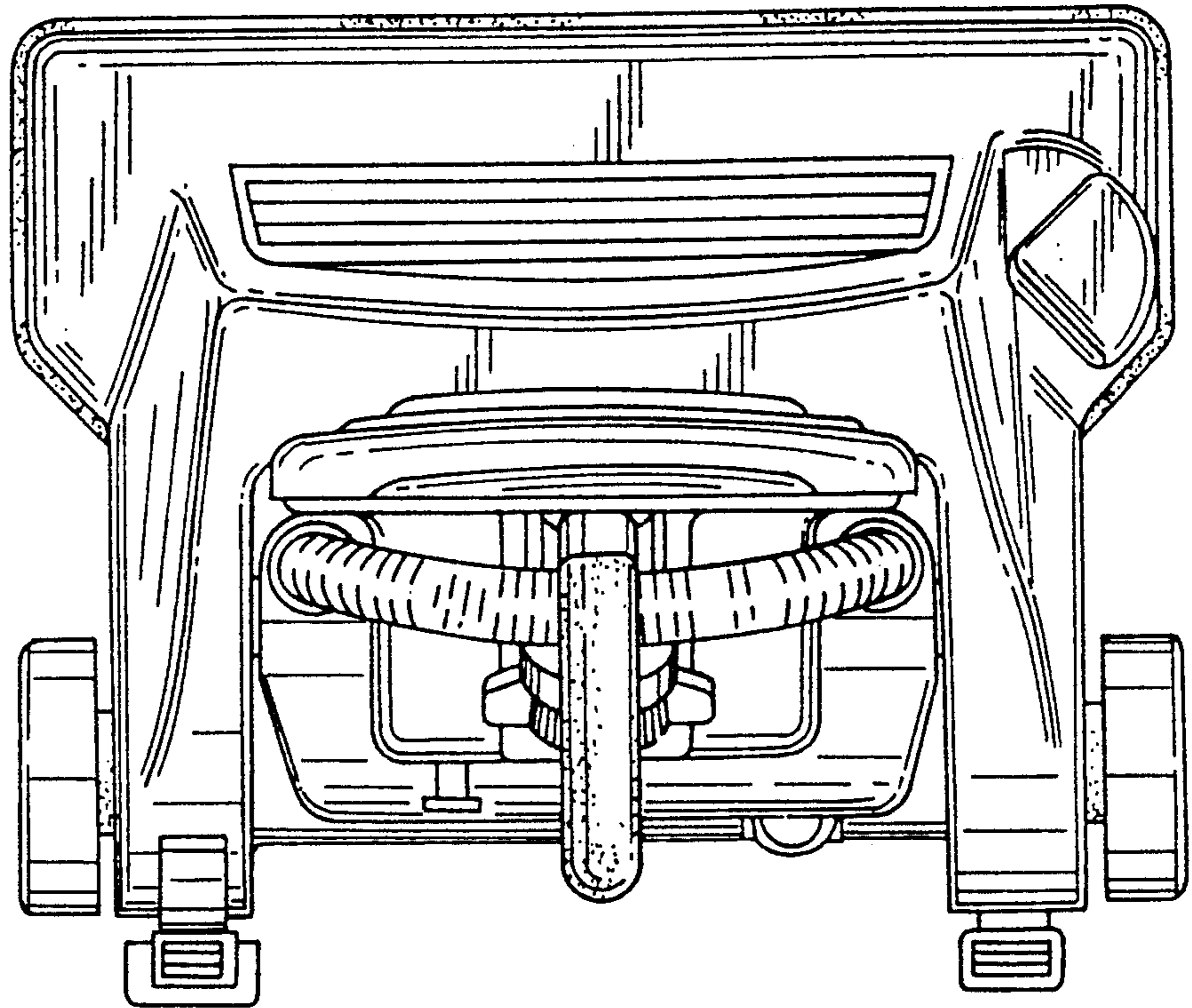


FIG. 4

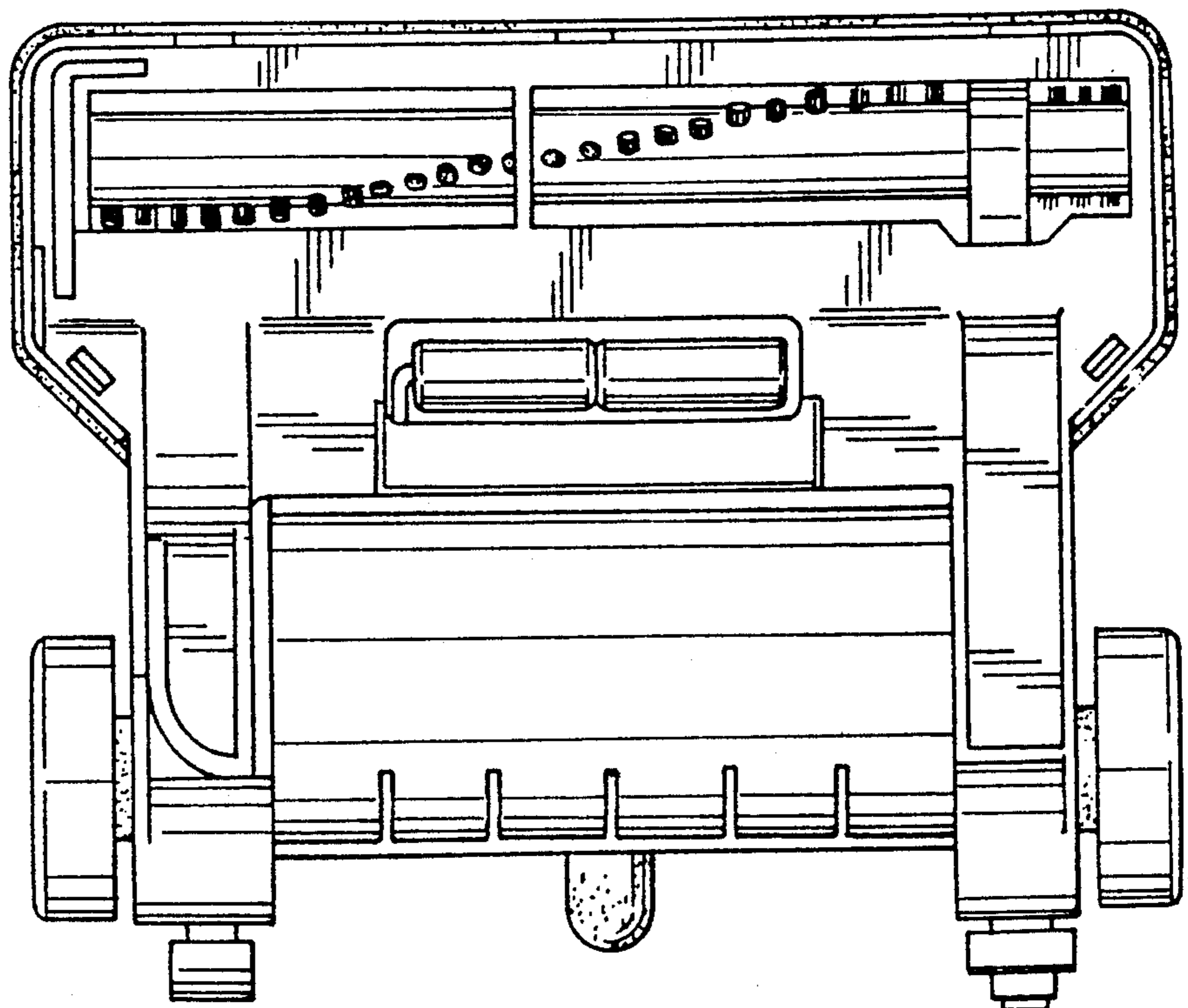


FIG. 3

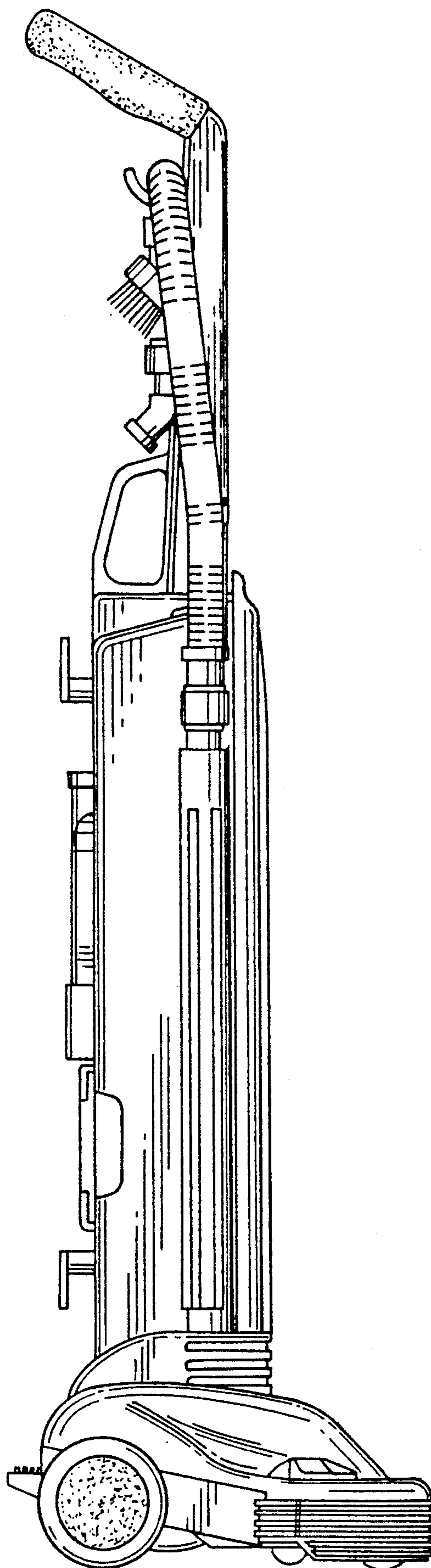


FIG. 5

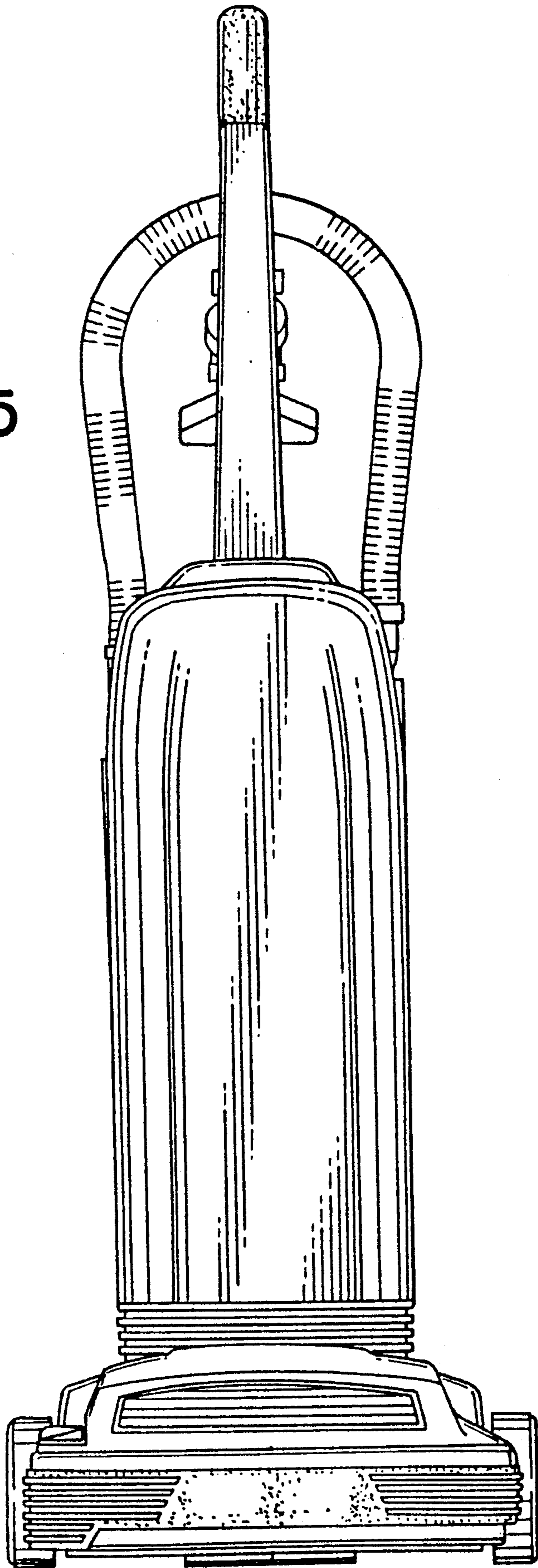


FIG. 6

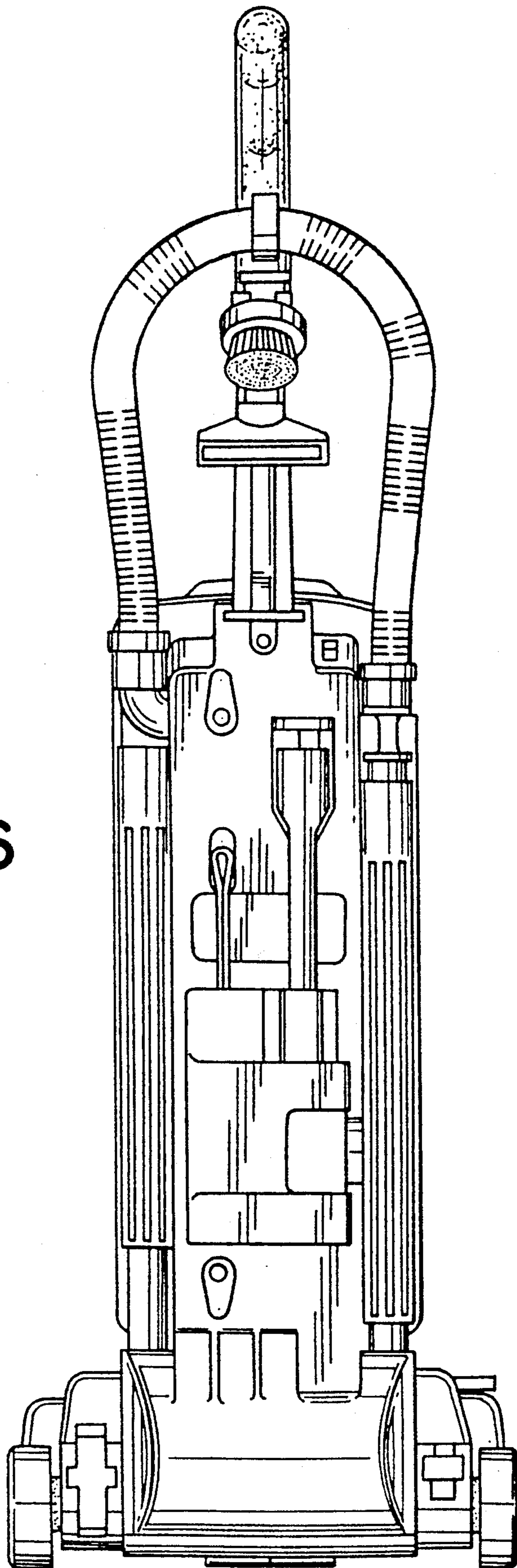
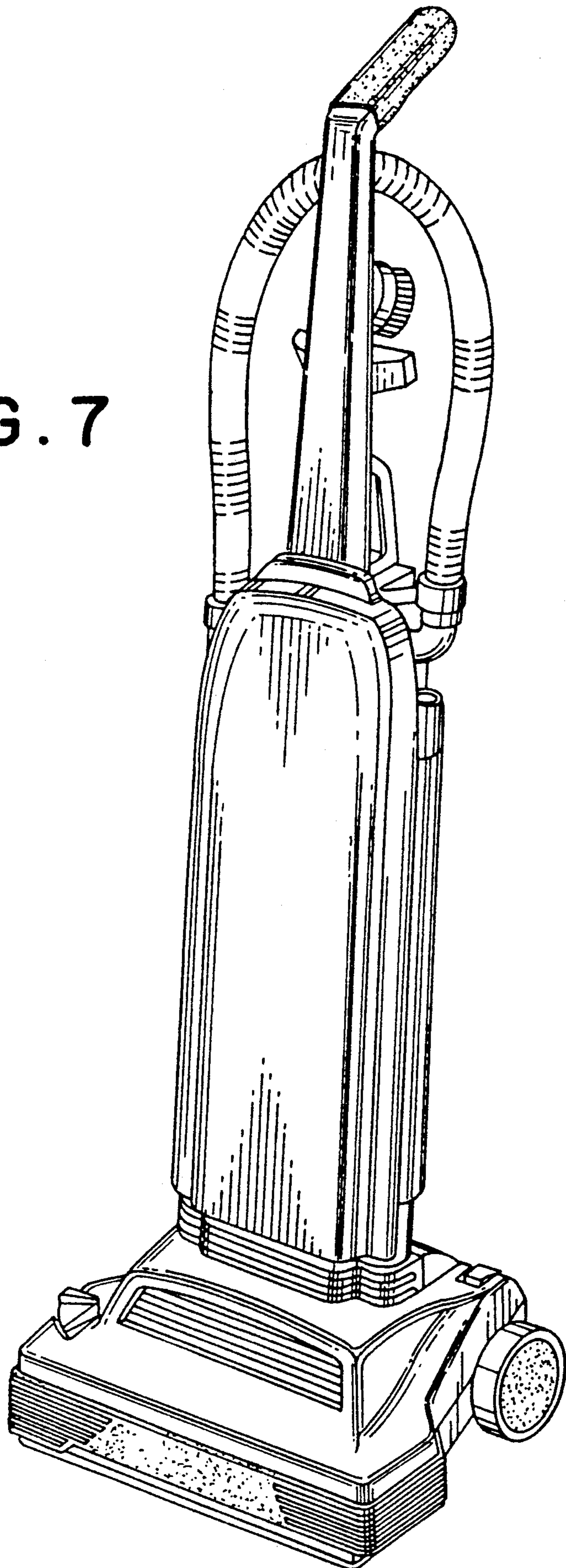


FIG. 7



UNITED STATES PATENT AND TRADEMARK OFFICE  
**CERTIFICATE OF CORRECTION**

PATENT NO. : Des. 319,517  
DATED : August 27, 1991  
INVENTOR(S) : John F. Sovis, et al.

It is certified that error appears in the above-identified patent and that said Letters Patent is hereby corrected as shown below:

Title Page:

Assignee: Royal Appliance Mfg. Co.  
Cleveland, Ohio

**Signed and Sealed this  
Second Day of March, 1993**

*Attest:*

*Attesting Officer*

STEPHEN G. KUNIN

*Acting Commissioner of Patents and Trademarks*