

[54] SUSPENDED ADJUSTABLE LAMP ASSEMBLY

[76] Inventor: Horst Lettenmayer, Korbinianstr. 2, Munich 40, Fed. Rep. of Germany, 8000

[**] Term: 14 Years

[21] Appl. No.: 73,778

[22] Filed: Jul. 15, 1987

[30] Foreign Application Priority Data

Jan. 16, 1987 [DE] Fed. Rep. of Germany 17113
Feb. 23, 1987 [DE] Fed. Rep. of Germany 17073

[52] U.S. Cl. D26/63

[58] Field of Search D26/60-66;
362/269, 275, 287, 418, 419, 427, 428

[56] References Cited

U.S. PATENT DOCUMENTS

| | | | | |
|------------|---------|-----------|-------|---------|
| D. 84,921 | 8/1931 | Bornstein | | D26/63 |
| D. 212,498 | 10/1968 | Collings | | D26/63 |
| D. 261,180 | 10/1981 | Lagin | | D26/66 |
| 3,642,238 | 2/1972 | Kapnek | | 362/432 |

OTHER PUBLICATIONS

Electrical Equipment, 2-1962, p. 27, Circle-D Double Spot-lights.
Grainger's Wholesale Netprice Motorbook, winter 1973-74, p. 296—photoelectric floodlight—2 lights.
Stoncoline Price Guide, 1977, p. 31, Dock light.
Swiveler Lighting Catalog, ©1986, p. 58, "Cool--Glo" ®, lighting fixture.

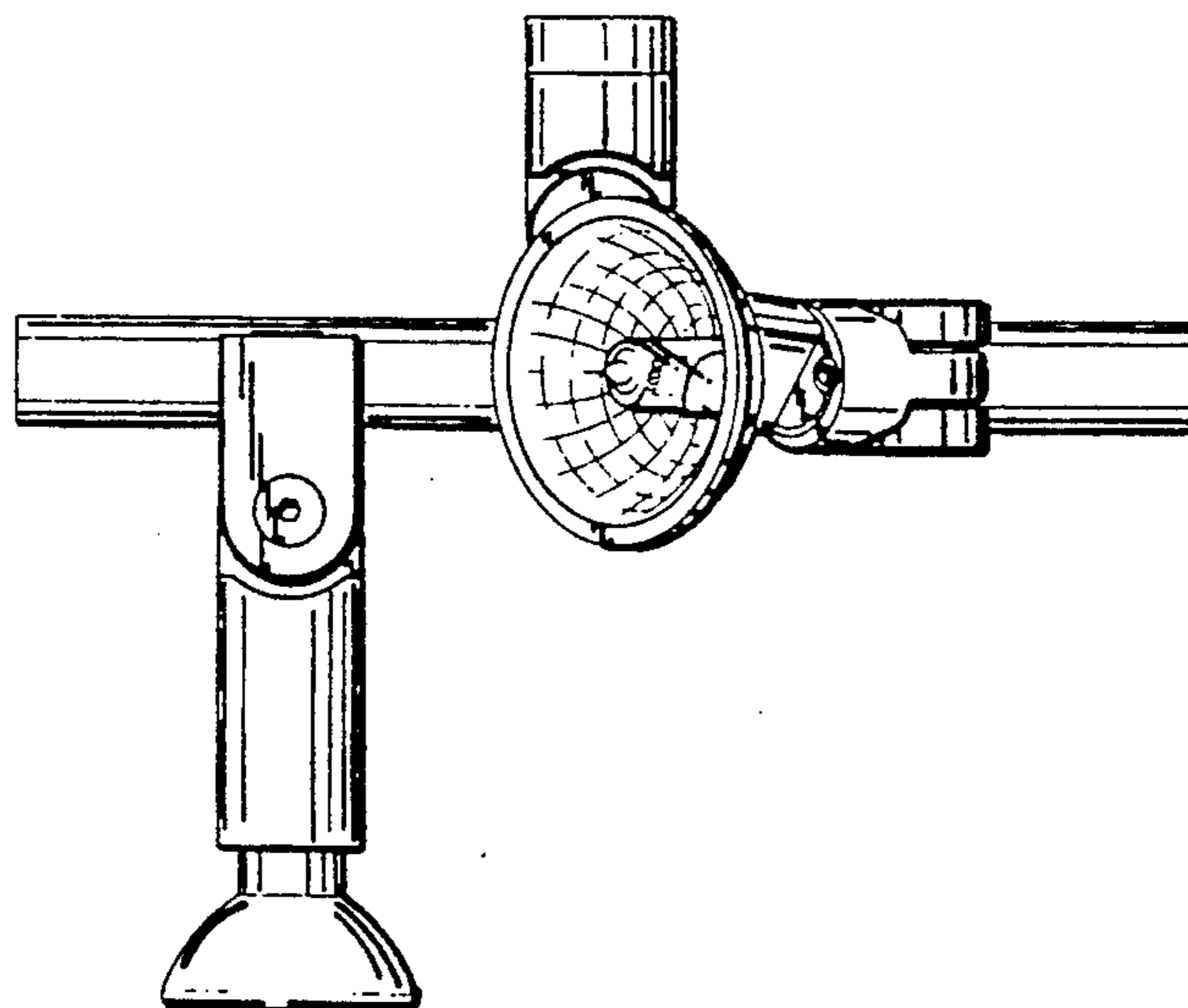
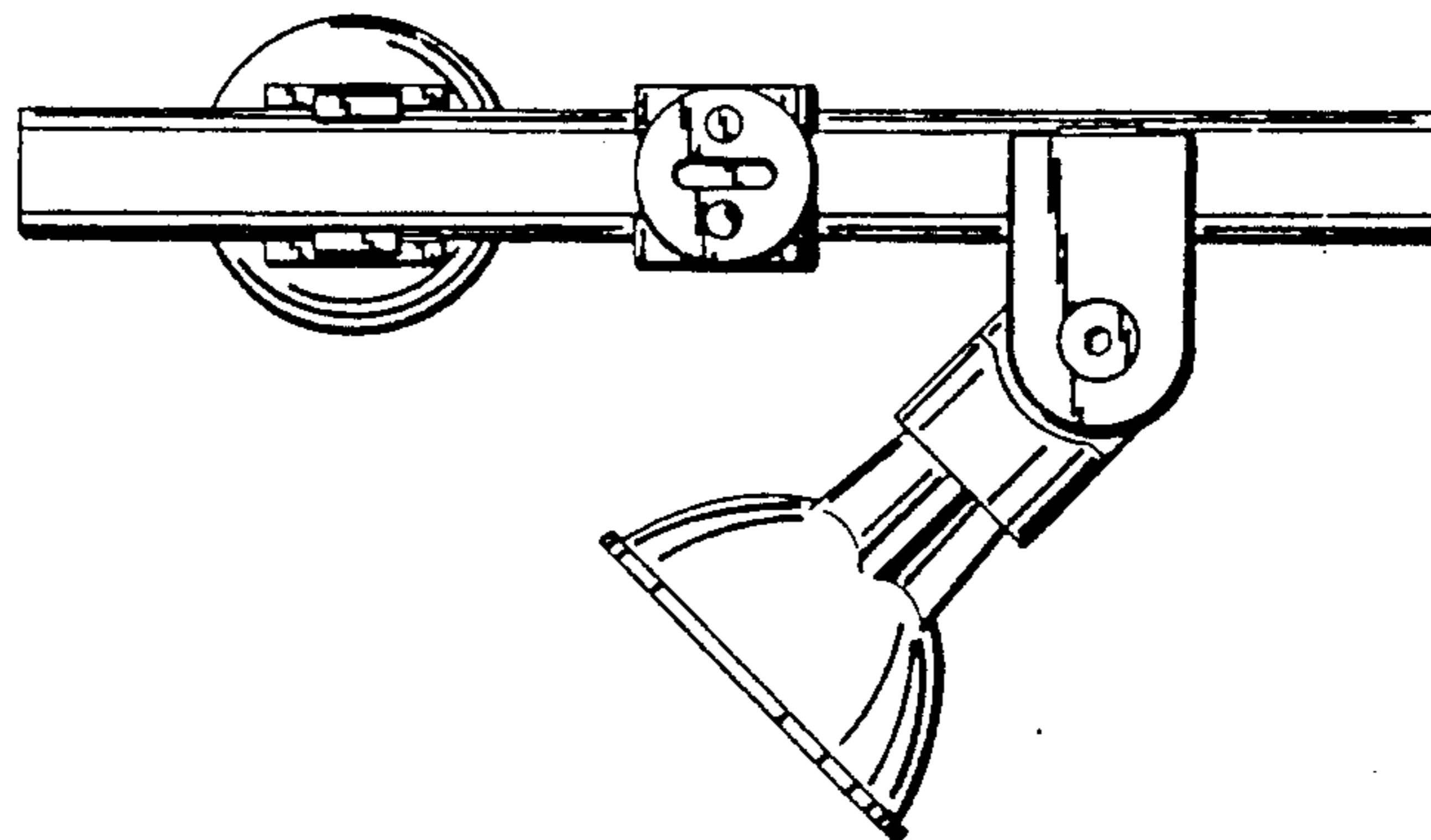
Primary Examiner—Susan J. Lucas
Attorney, Agent, or Firm—Townsend and Townsend

[57] CLAIM

The ornamental design for a suspended adjustable lamp assembly, as shown and described.

DESCRIPTION

FIG. 1 is a plan view of a suspended adjustable lamp assembly showing the new design;
FIG. 2 is a right side elevational view thereof;
FIG. 3 is a bottom view thereof;
FIG. 4 is an upside-down, left side elevational view thereof;
FIG. 5 is a right end view thereof; and
FIG. 6 is a left end view thereof.



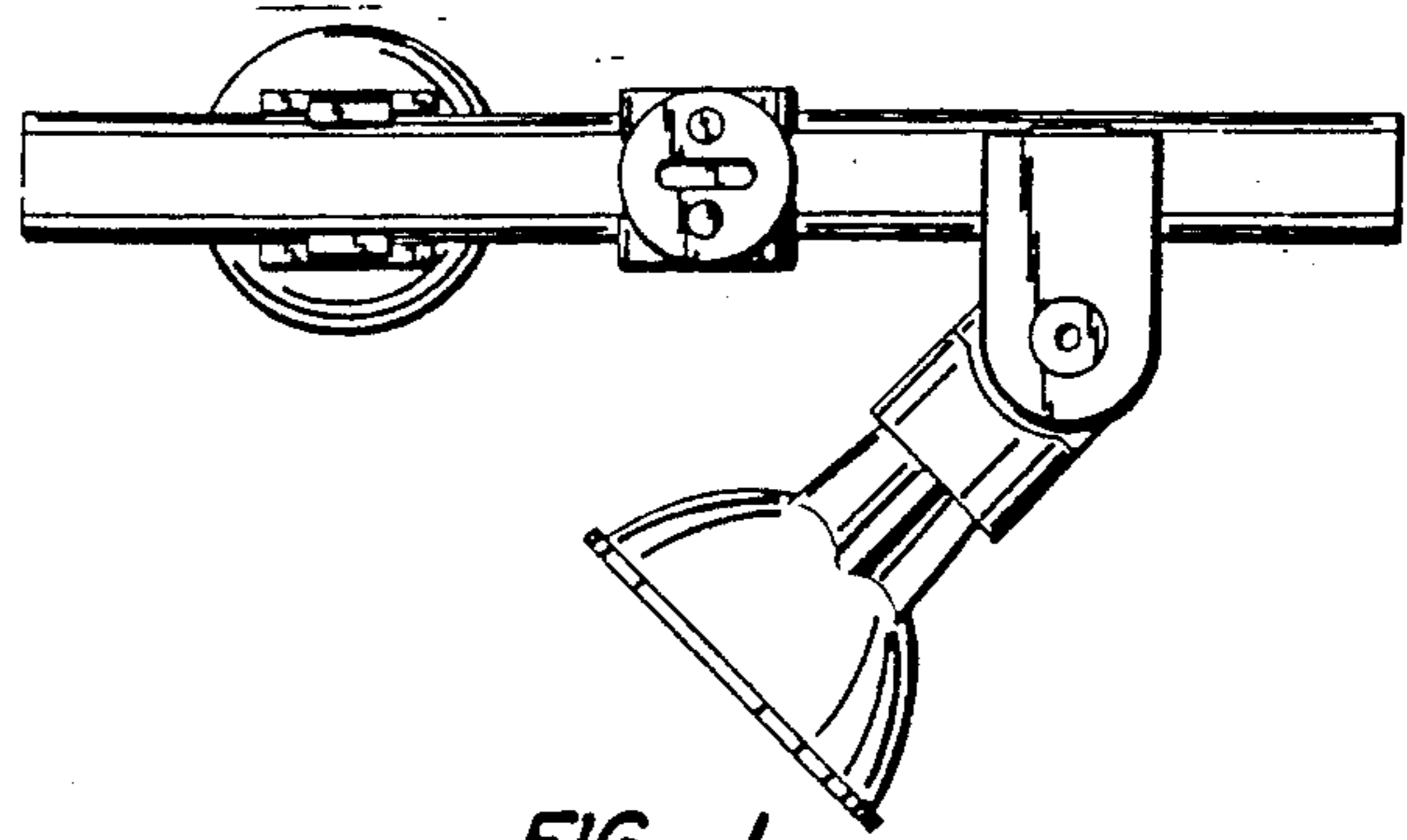


FIG. 1.

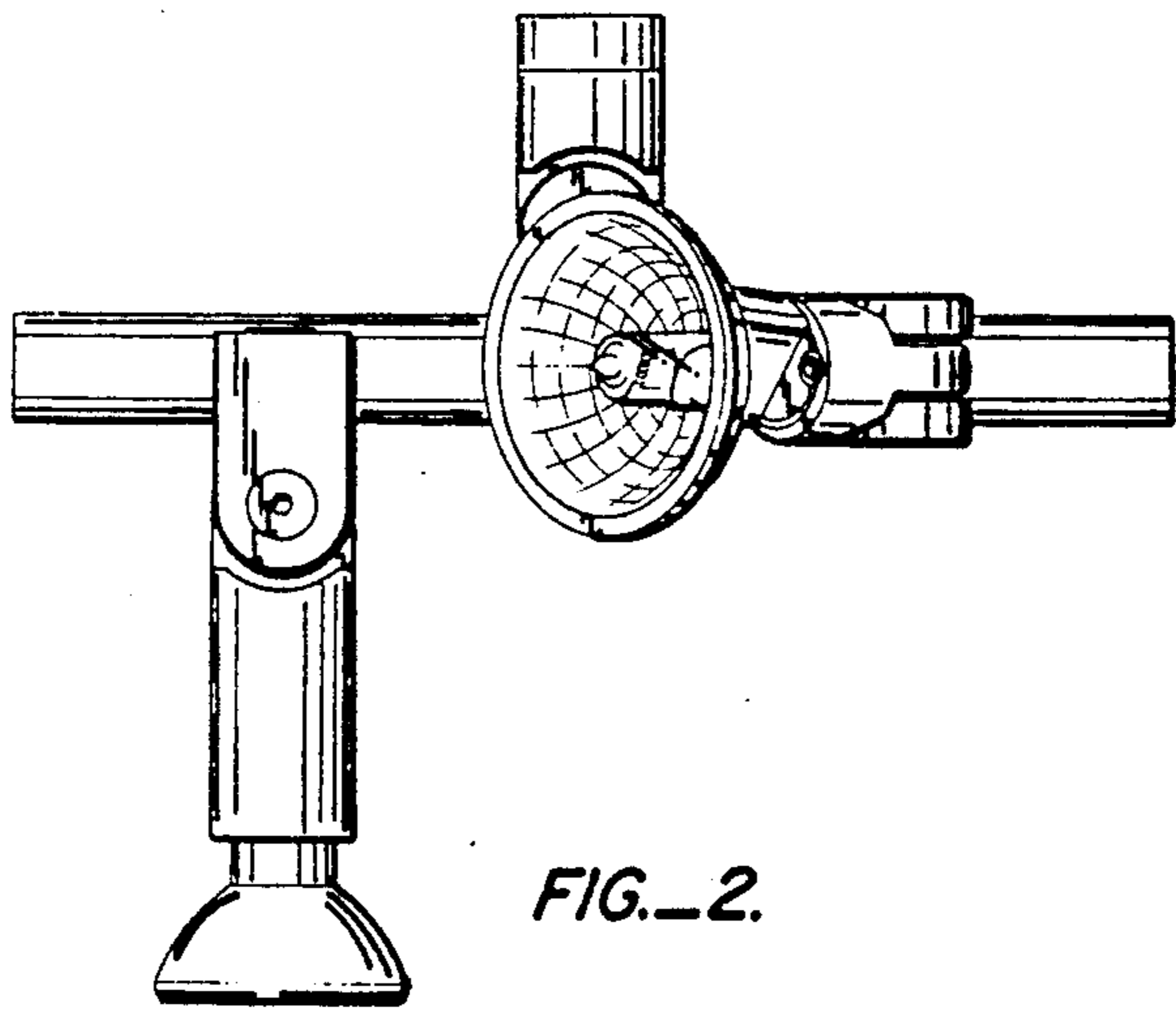


FIG. 2.

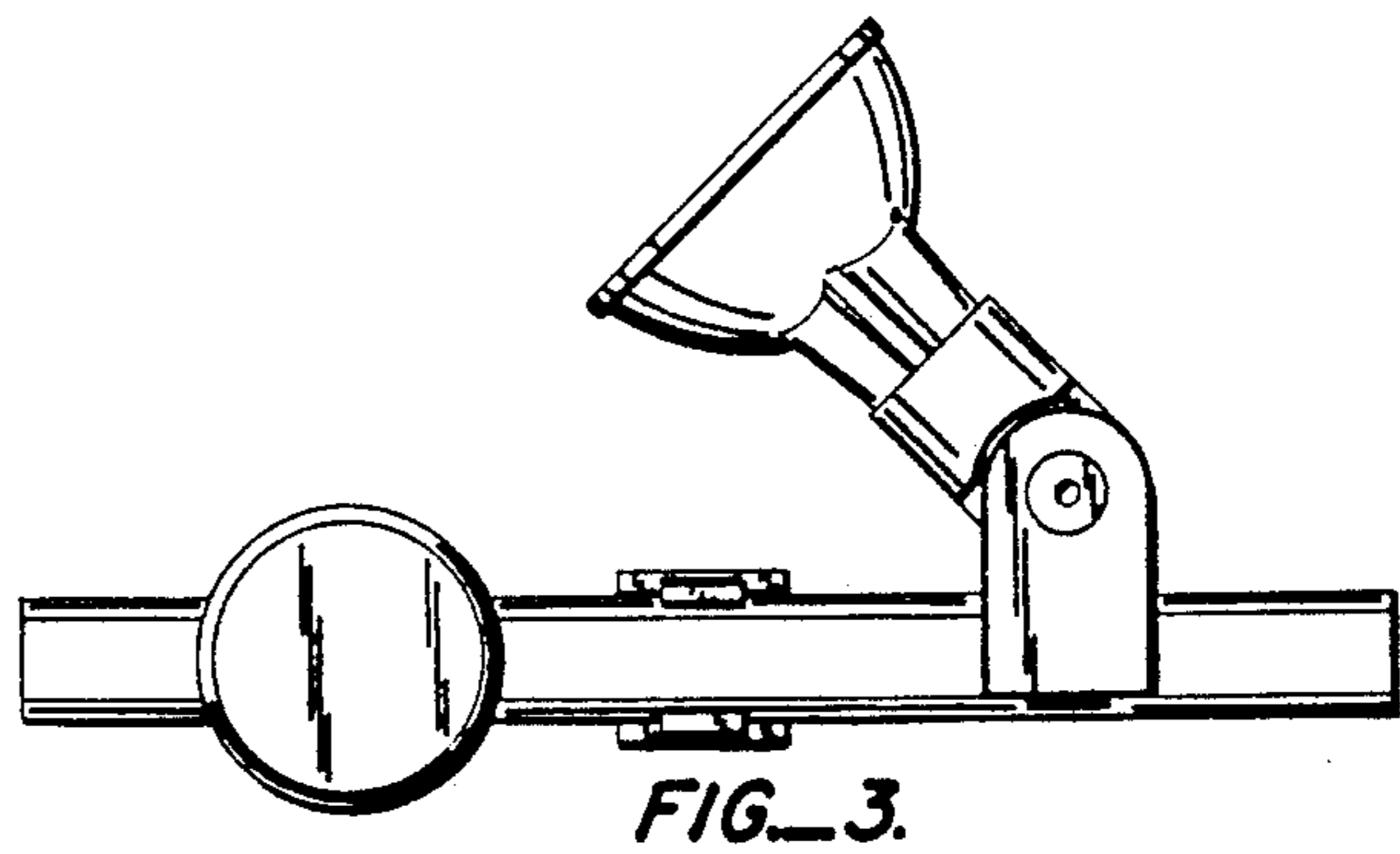


FIG. 3.

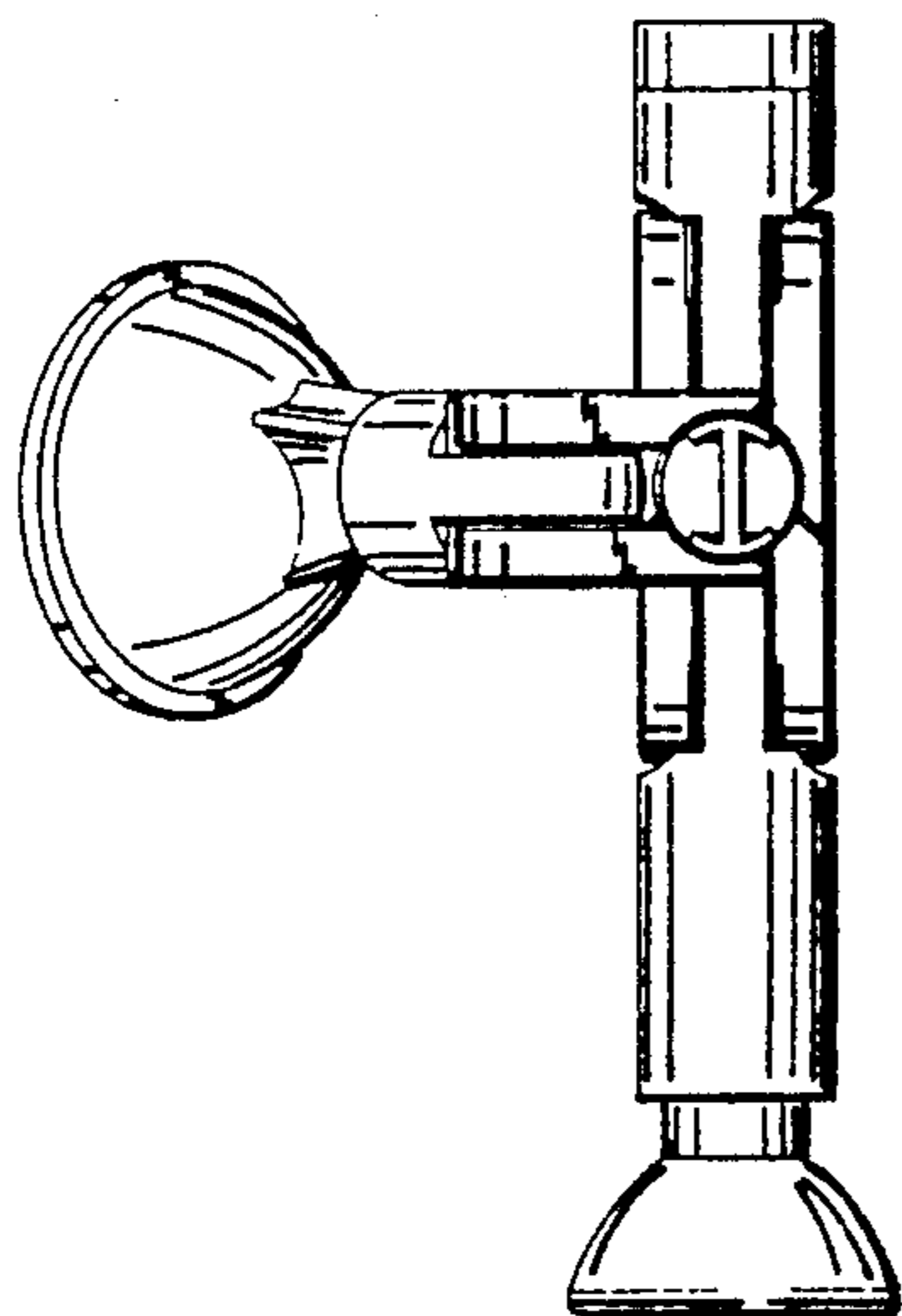


FIG. 5.

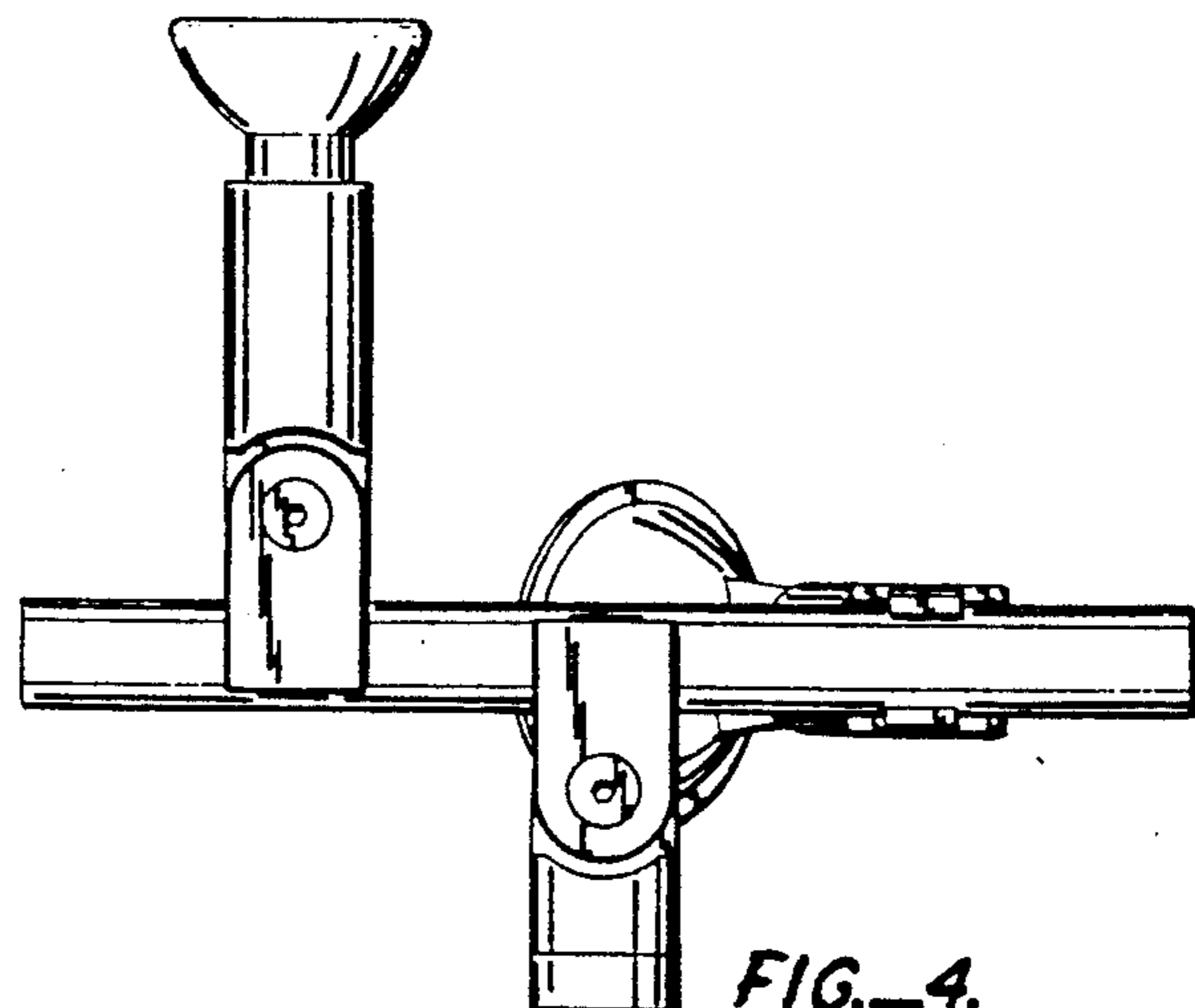


FIG. 4.

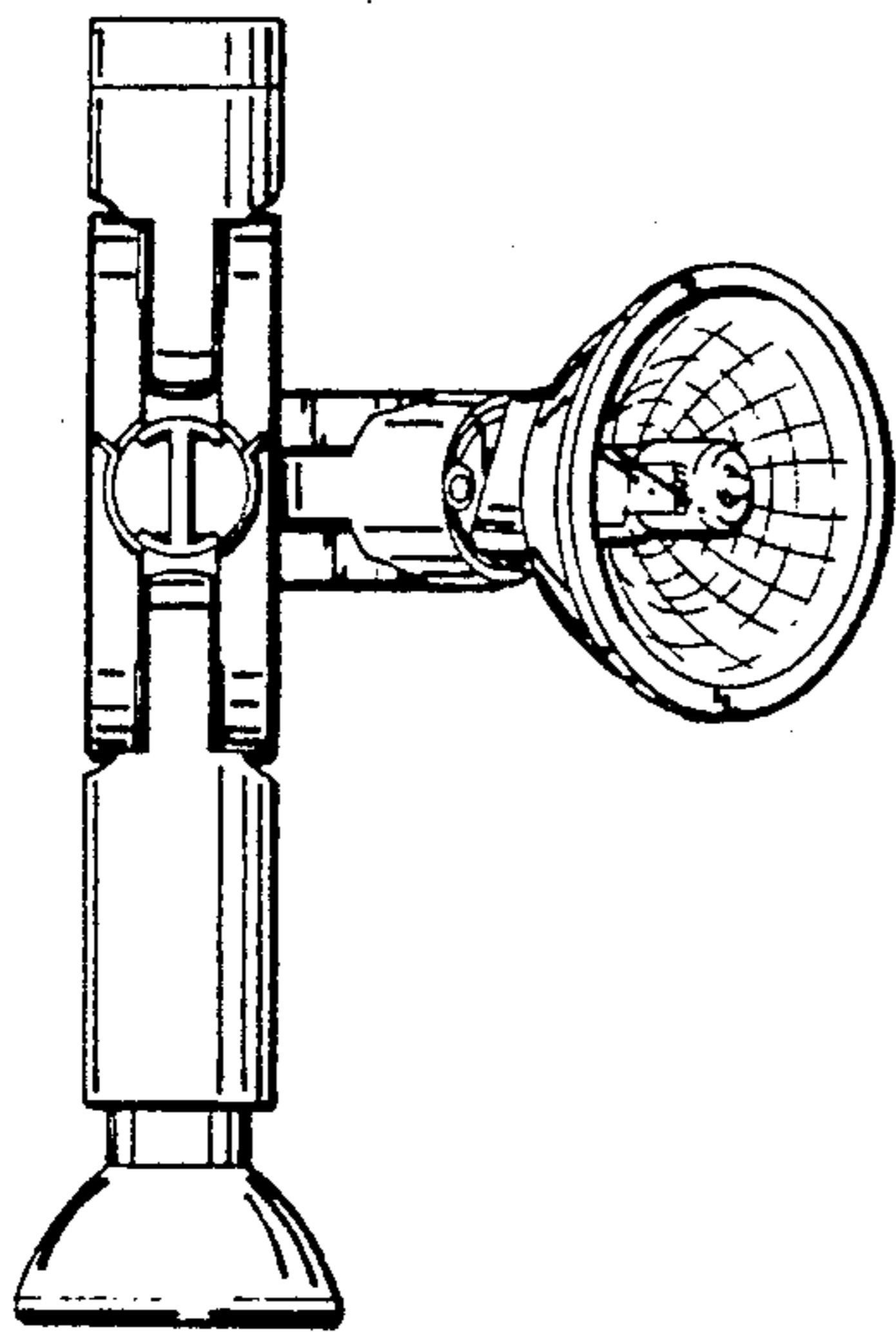


FIG. 6.