

- [54] PORTABLE WORK LIGHT WITH ADJUSTABLE LAMP HEAD
- [76] Inventor: James L. Humphrey, 11721 State Rd., Nuncia, Mich. 49448
- [**] Term: 14 Years
- [21] Appl. No.: 274,129
- [22] Filed: Nov. 21, 1988
- [52] U.S. Cl. D26/61; D26/44
- [58] Field of Search D26/60-66, D26/93, 102-112; 362/410-414, 269, 275, 287, 418, 419, 427, 197, 187, 188, 153, 158, 183

- [56] **References Cited**
U.S. PATENT DOCUMENTS
D. 203,862 2/1966 Lax D26/64
3,187,170 6/1965 Kille 362/410 X

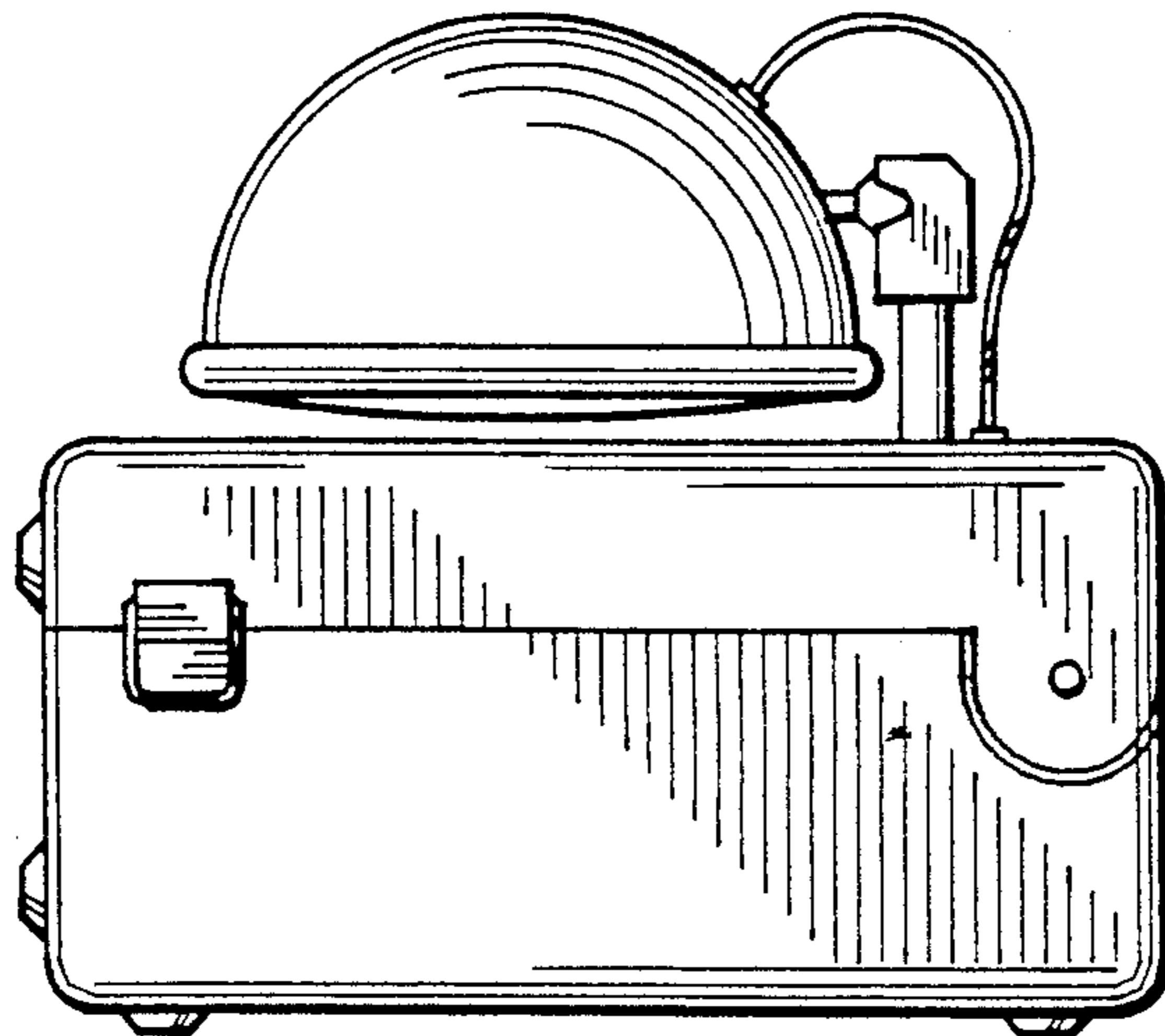
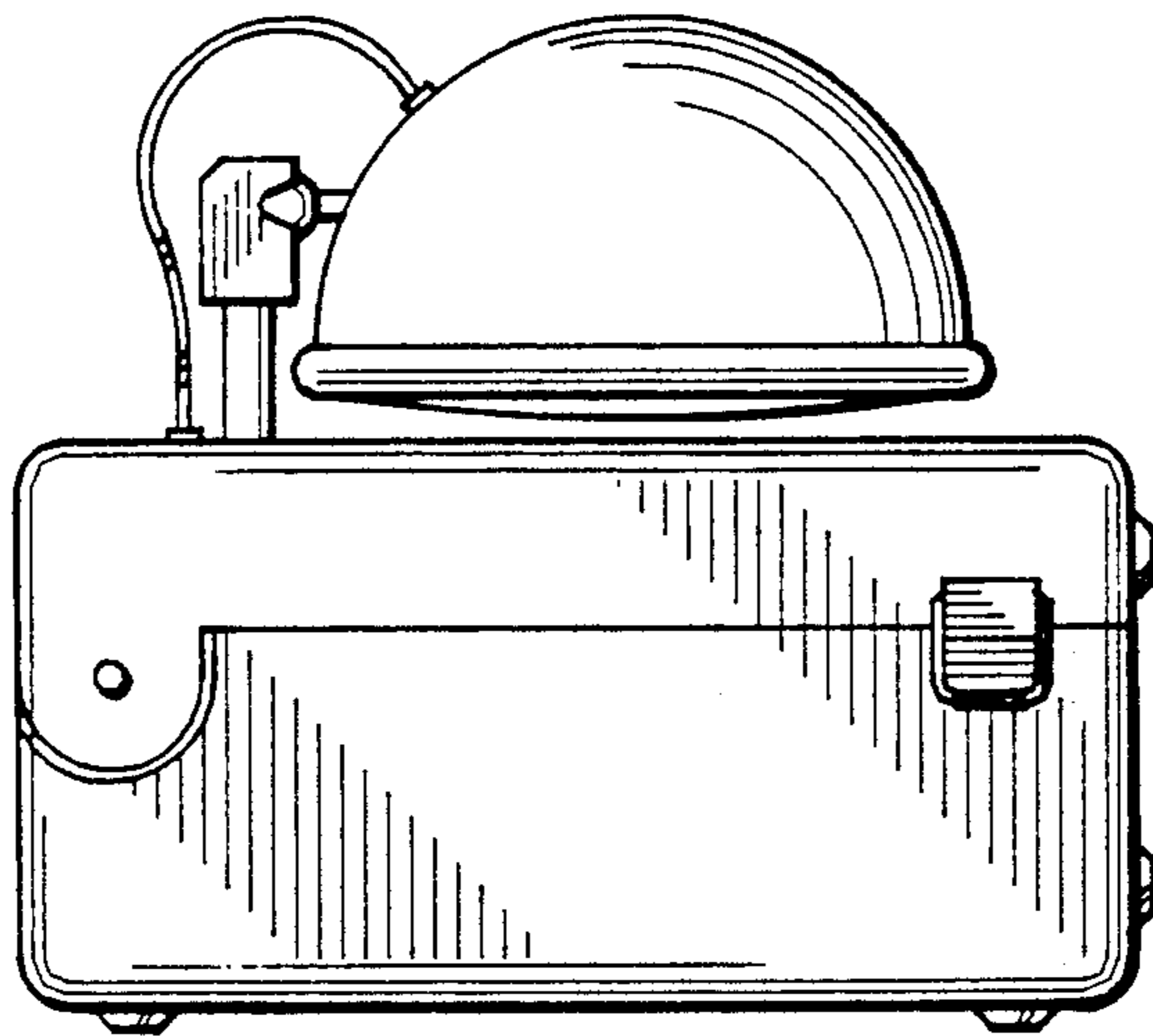
OTHER PUBLICATIONS
Automotive News, 11-20-1962, p. 22, Sales Lamp.

Chloride Emergency Lighting Catalog, 1978, p. 2, Sealed beam lamp (A).
Electrix Inc. Lighting Catalog, 5-1987, Halogen portable cube (7000).
Lighting, 2-1959, p. 65, Mercury Vapor Lamp.
Lighting, 5-1963, p. 65, Bullet Lamp.

Primary Examiner—Susan J. Lucas
Attorney, Agent, or Firm—Jerry T. Kearns

[57] **CLAIM**
The ornamental design for a portable work light with adjustable lamp head, as shown and described.

DESCRIPTION
FIG. 1 is a front elevational view of a portable work light with adjustable lamp head showing my new design;
FIG. 2 is a rear elevational view thereof;
FIG. 3 is a left side elevational view thereof;
FIG. 4 is a right side elevational view thereof;
FIG. 5 is a top plan view thereof; and,
FIG. 6 is a bottom plan view thereof.



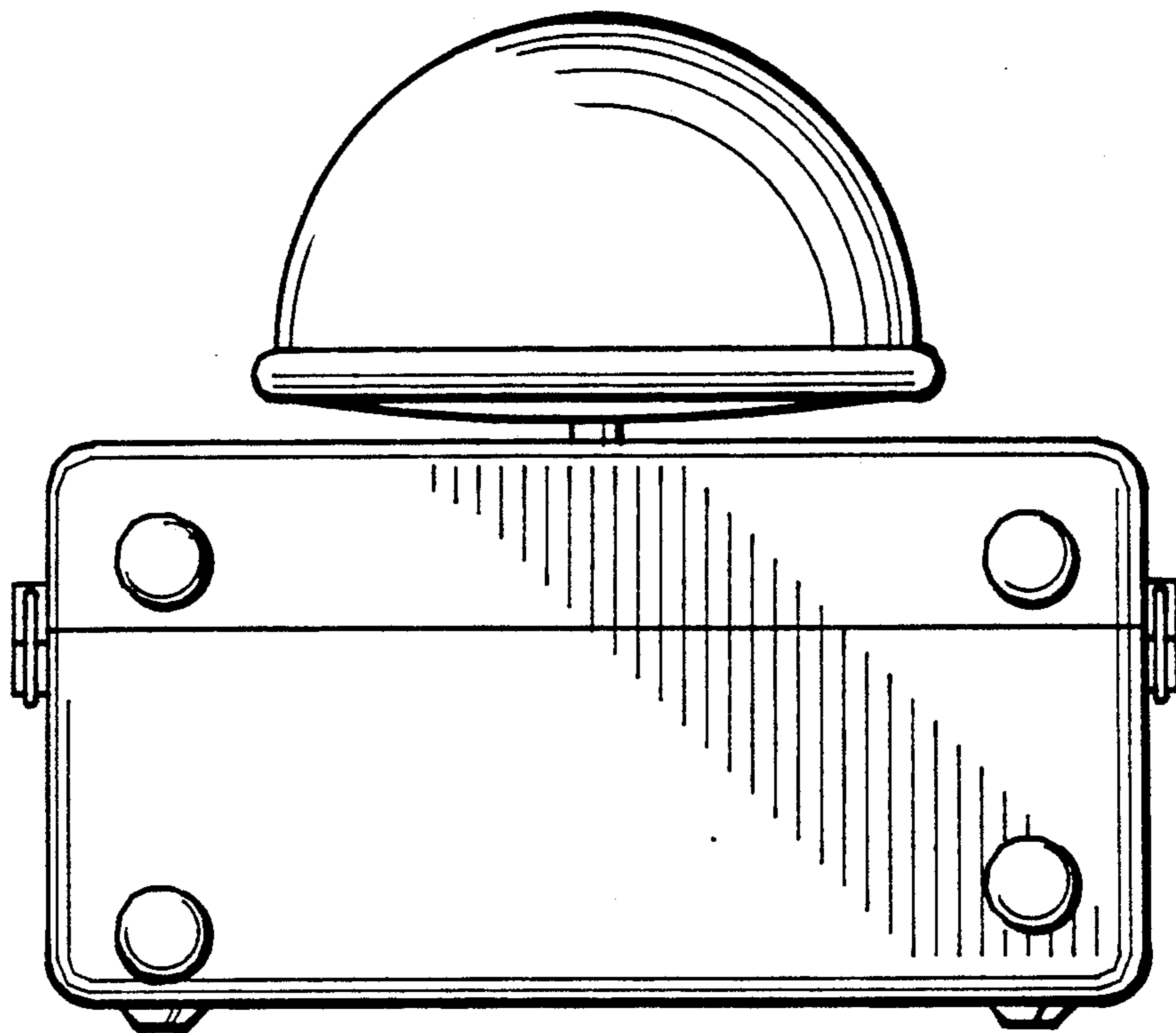


Fig. 1

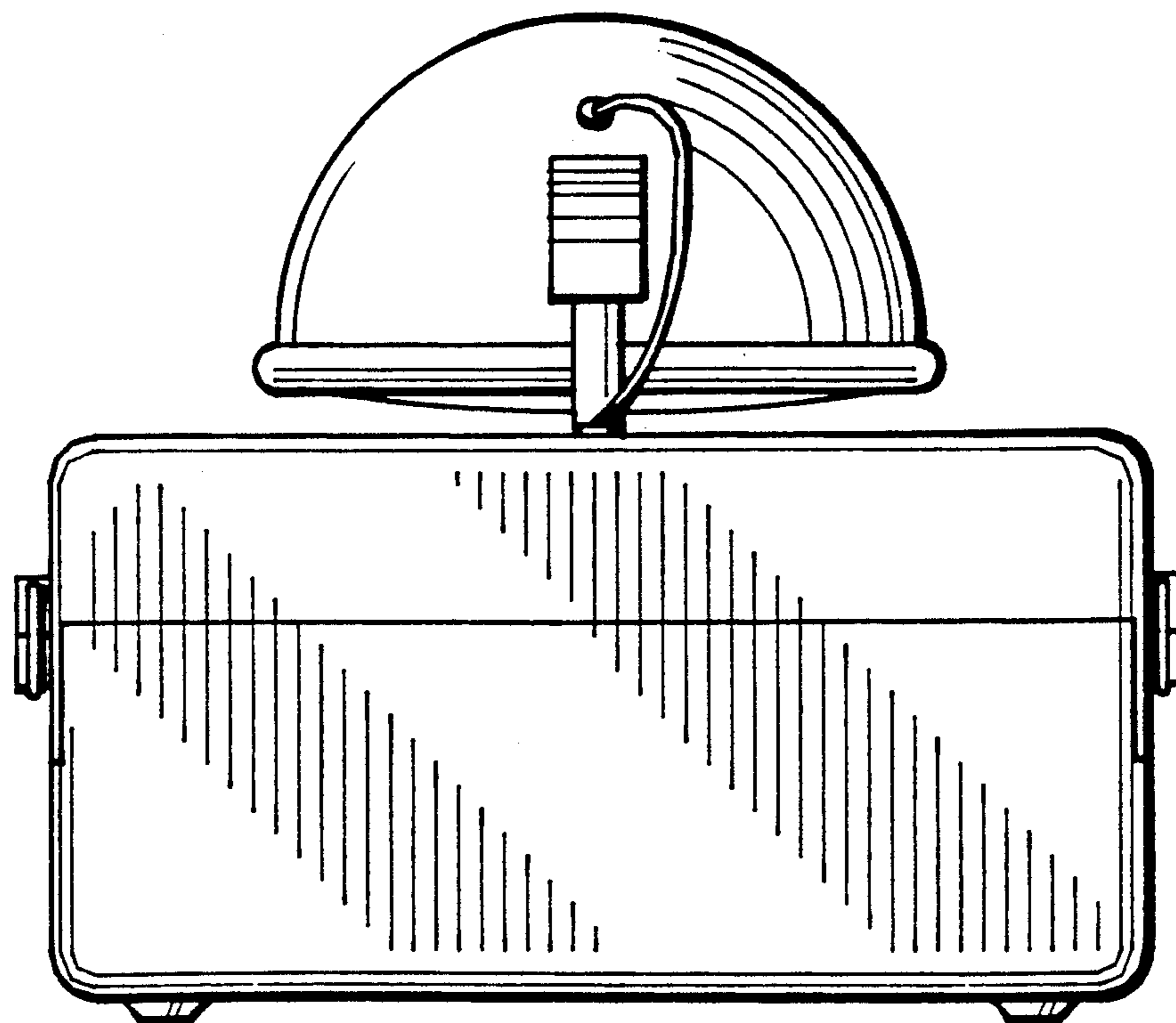


Fig. 2

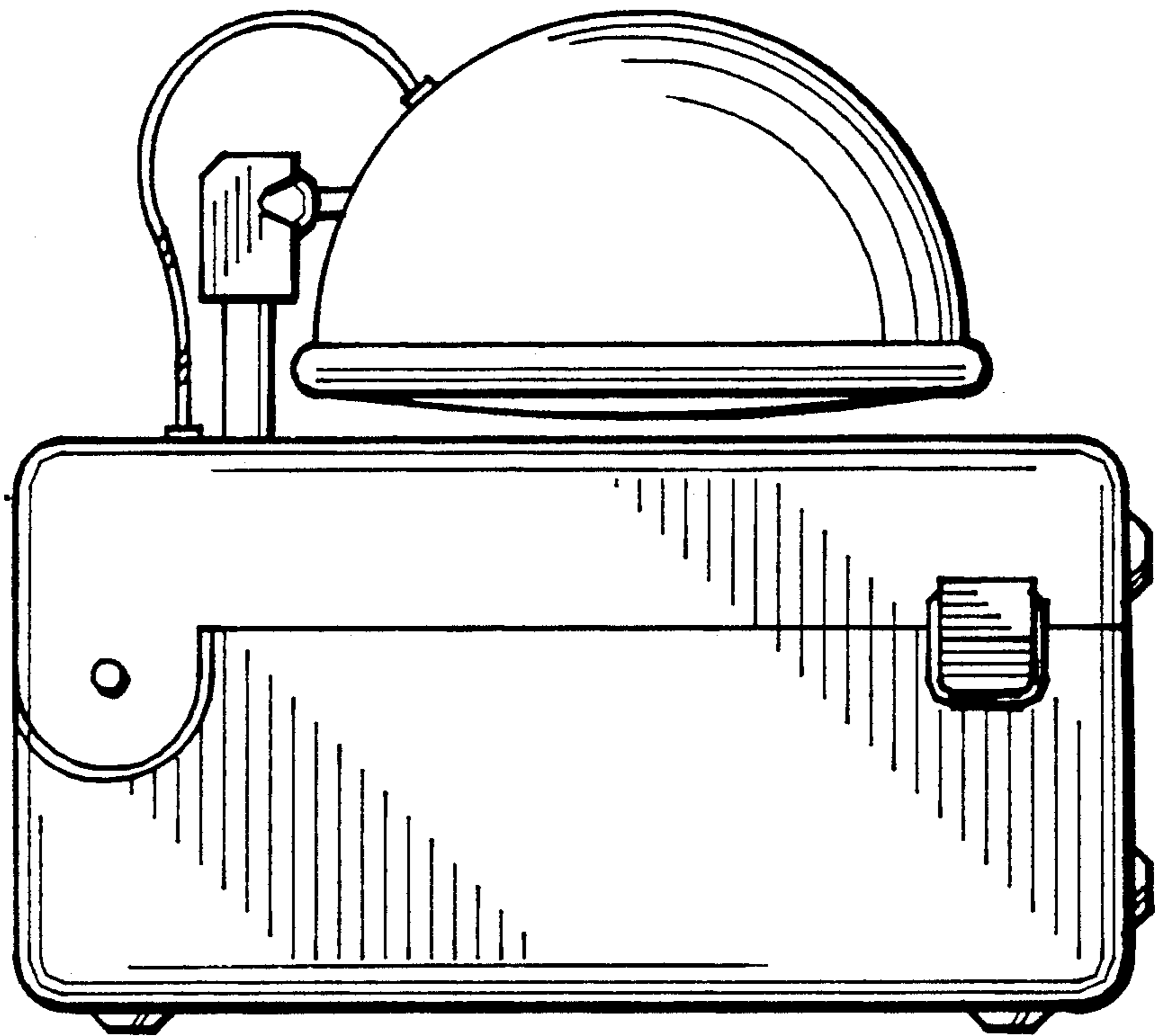


Fig. 3

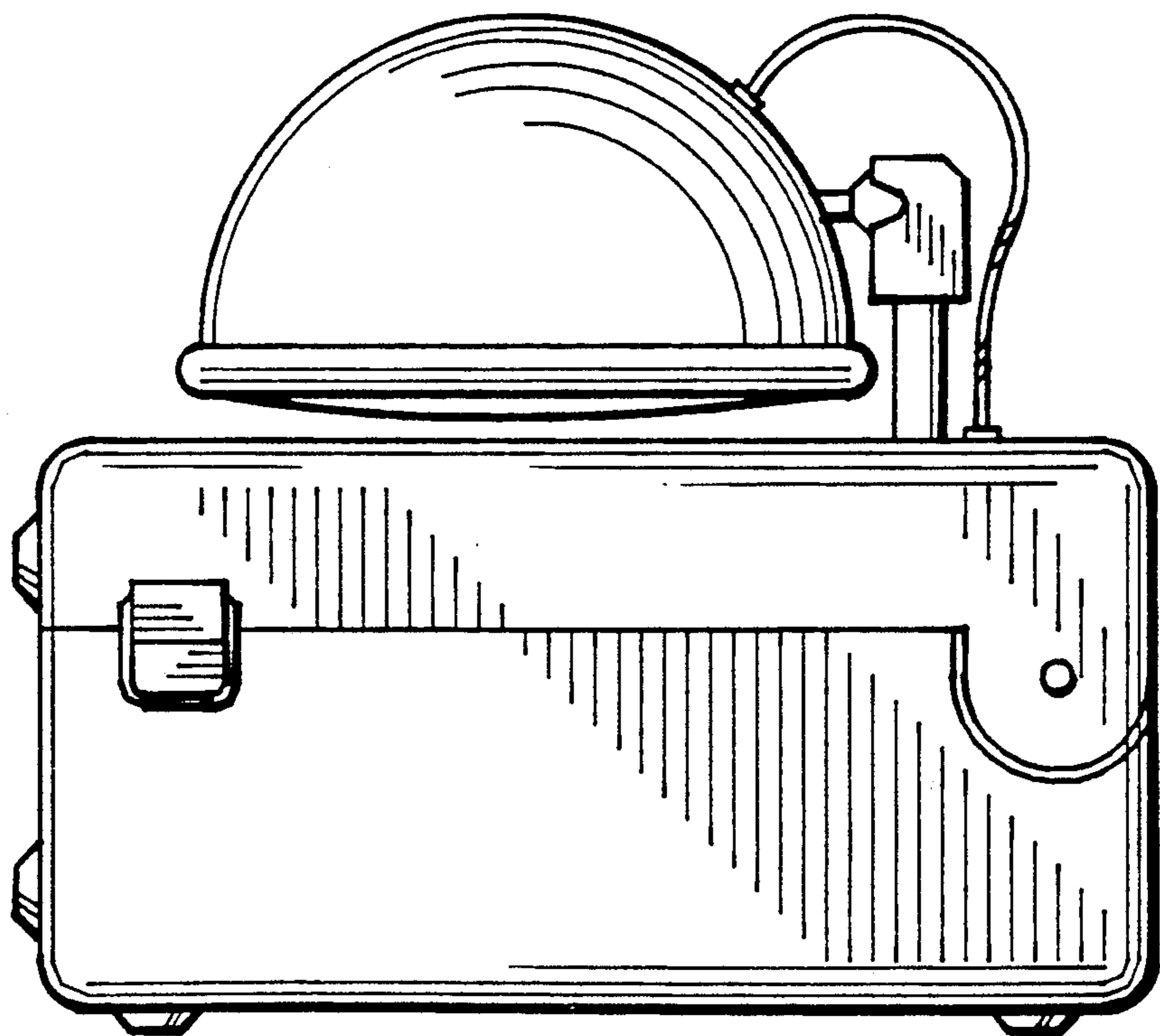


Fig. 4

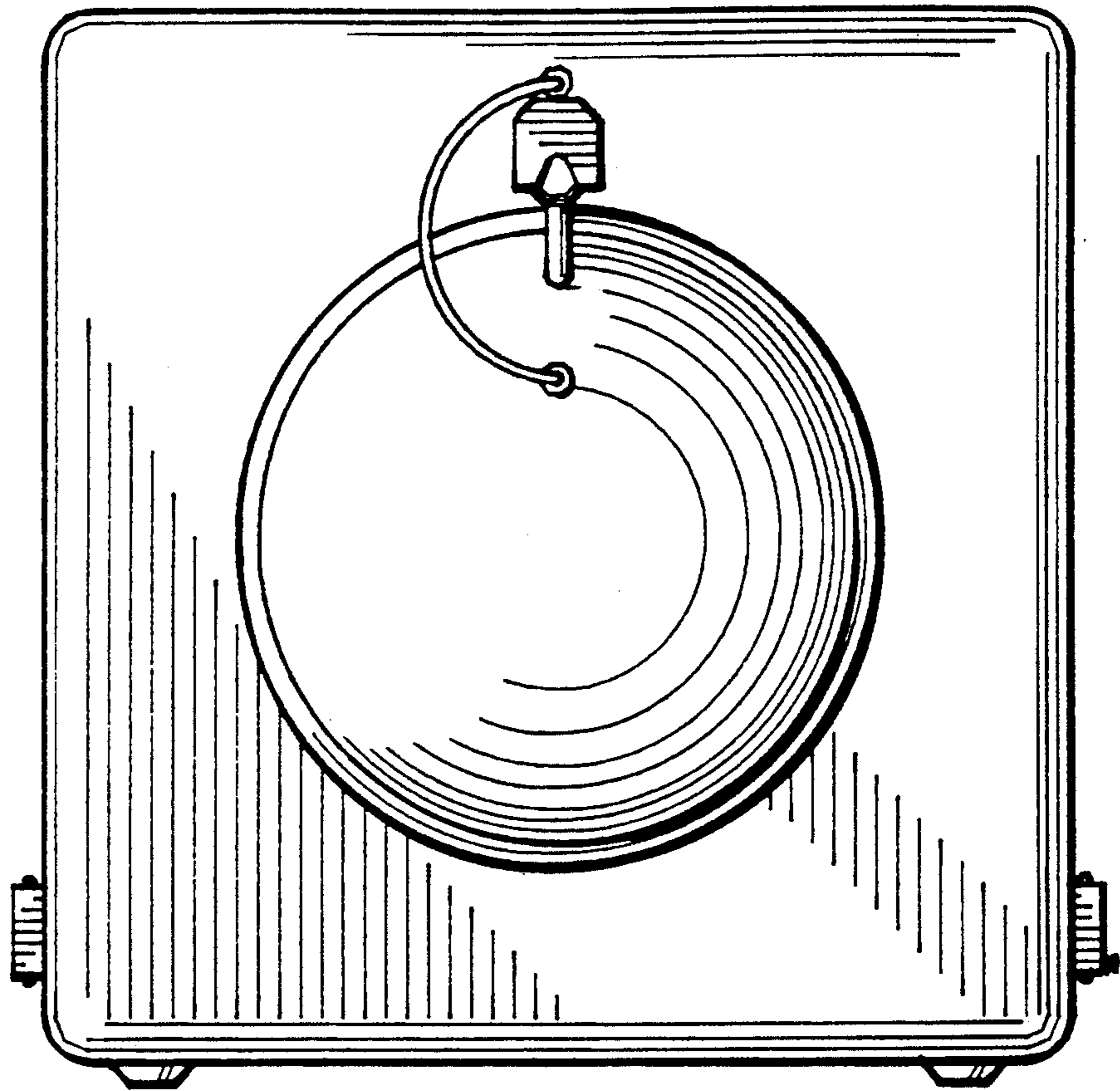


Fig. 5

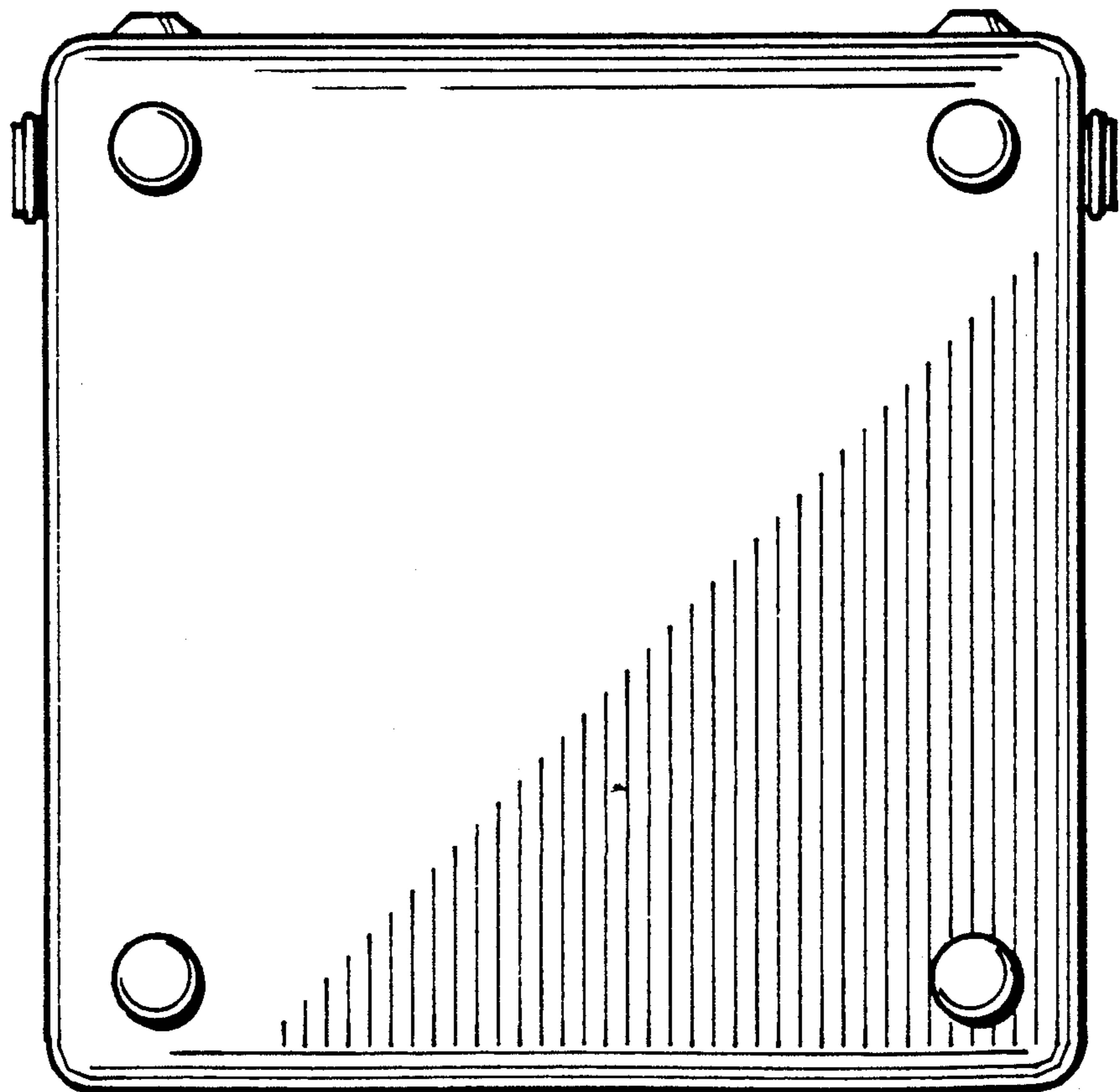


Fig. 6