

[54] BLOOD PROCESSING FILTER

DESCRIPTION

[75] Inventors: Yoshihisa Sone; Keiji Naoi, both of Tokyo, Japan

[73] Assignee: Terumo Kabushiki Kaisha, Tokyo, Japan

[\*\*] Term: 14 Years

[21] Appl. No.: 192,888

[22] Filed: May 12, 1988

[30] Foreign Application Priority Data

Nov. 12, 1987 [JP]	Japan	62-45931
Apr. 8, 1988 [JP]	Japan	63-13915
Apr. 8, 1988 [JP]	Japan	63-13916

[52] U.S. Cl. D24/162; D24/169

[58] Field of Search D24/21, 51, 52, 58; 55/159, 178; 210/445, 446, 436, 448, 493.1, 447, 188; 604/406

[56] References Cited

U.S. PATENT DOCUMENTS

D. 302,307	7/1989	Steer	D24/51 X
3,905,905	9/1975	O'Leary et al.	55/159 X
4,009,714	3/1977	Hammer	210/445 X
4,038,194	7/1977	Luceyk et al.	210/448 X
4,087,363	5/1978	Rosemeyer et al.	210/448 X
4,162,220	7/1979	Servas	210/448
4,304,670	12/1981	Watanabe et al.	210/446
4,341,538	7/1982	Vadnay et al.	210/445 X

Primary Examiner—A. Hugo Word  
Assistant Examiner—Doris V. Coles  
Attorney, Agent, or Firm—Oblon, Spivak, McClelland, Maier & Neustadt

[57] CLAIM

The ornamental design for a blood processing filter, as shown and described.

FIG. 1 is a front elevational view of a blood processing filter showing our new design;  
 FIG. 2 is a rear elevational view thereof;  
 FIG. 3 is a left side elevational view thereof, the right side being identical to the left;  
 FIG. 4 is a top plan view thereof;  
 FIG. 5 is a bottom plan view thereof;  
 FIG. 6 is a vertical sectional view thereof, taken along line 6-6' of FIG. 3;  
 FIG. 7 is a front elevational view thereof, the broken line showing being environmental only and forming no part of the claimed design;  
 FIG. 8 is a front elevational view of a second embodiment of the blood processing filter illustrated in FIG. 1;  
 FIG. 9 is a right side elevational view thereof, the left side being identical to the right;  
 FIG. 10 is a top plan view thereof;  
 FIG. 11 is a bottom plan view thereof;  
 FIG. 12 is a vertical sectional view thereof, taken along line 12-12' of FIG. 8;  
 FIG. 13 is a horizontal sectional view thereof, taken along line 13-13' of FIG. 8;  
 FIG. 14 is a front elevational view thereof, the broken line showing being environmental only and forming no part of the claimed design, and the rear elevation is identical to the front elevation;  
 FIG. 15 is a front elevational view of a third embodiment of the blood processing filter illustrated in FIG. 1;  
 FIG. 16 is a right side elevational view thereof, the left side being identical to the right;  
 FIG. 17 is a top plan view thereof;  
 FIG. 18 is a bottom plan view thereof;  
 FIG. 19 is a vertical sectional view thereof, taken along line 19-19' of FIG. 15;  
 FIG. 20 is a horizontal sectional view thereof, taken along line 20-20' of FIG. 15; and  
 FIG. 21 is a front elevational view thereof, the broken line showing being environmental only and forming no part of the claimed design, and the rear elevation is identical to the front elevation.

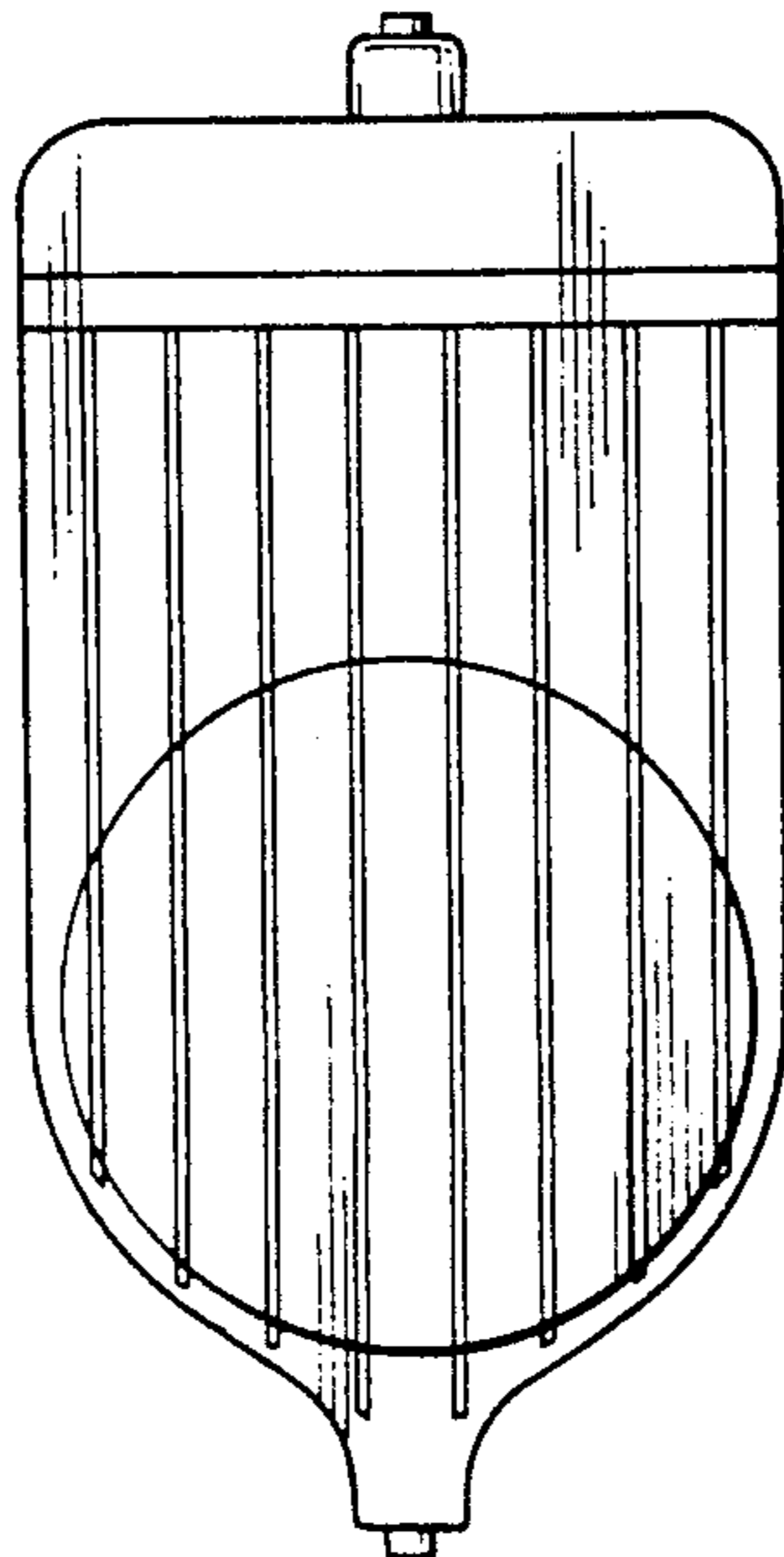


FIG. 1

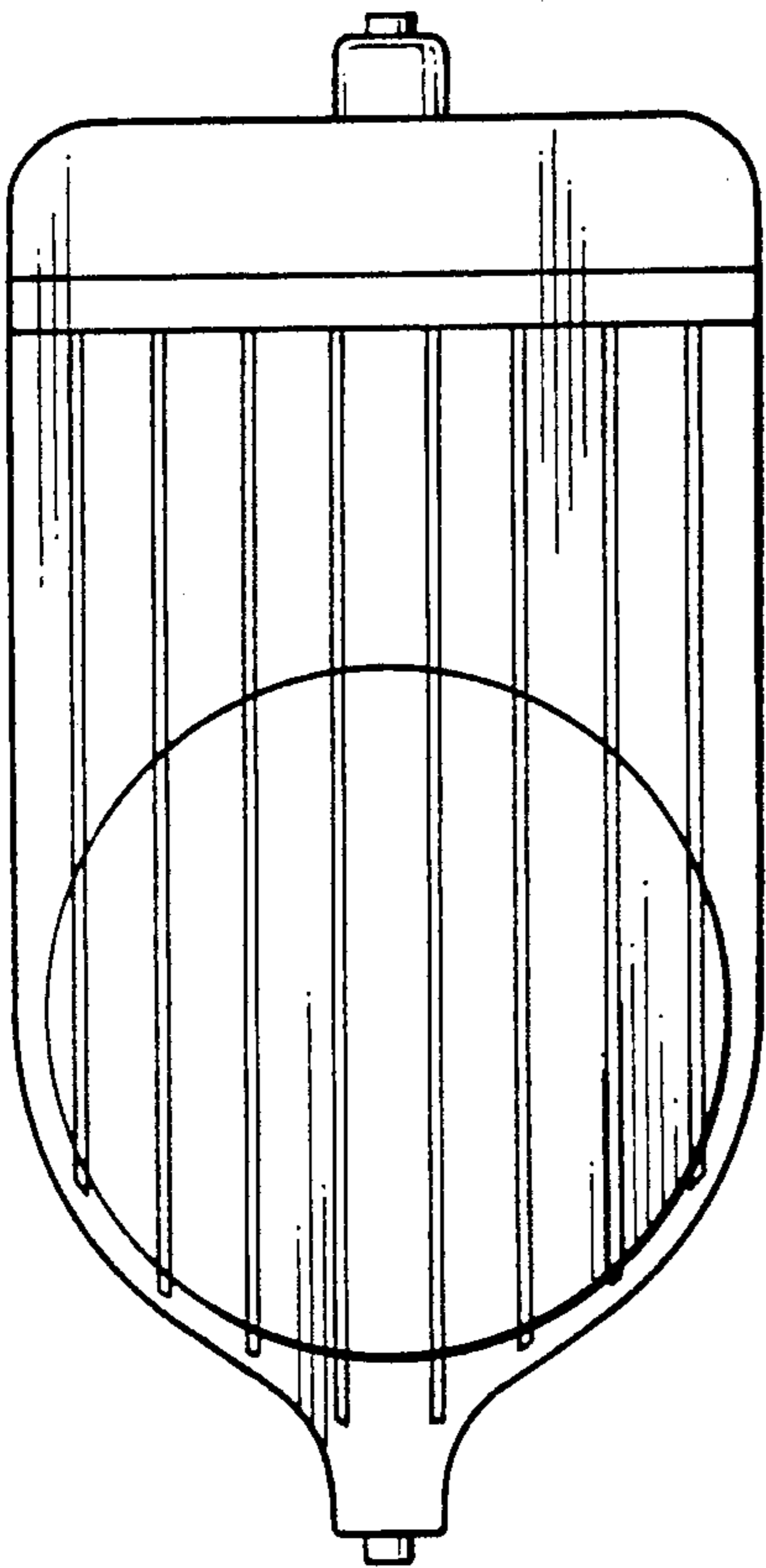


FIG. 2

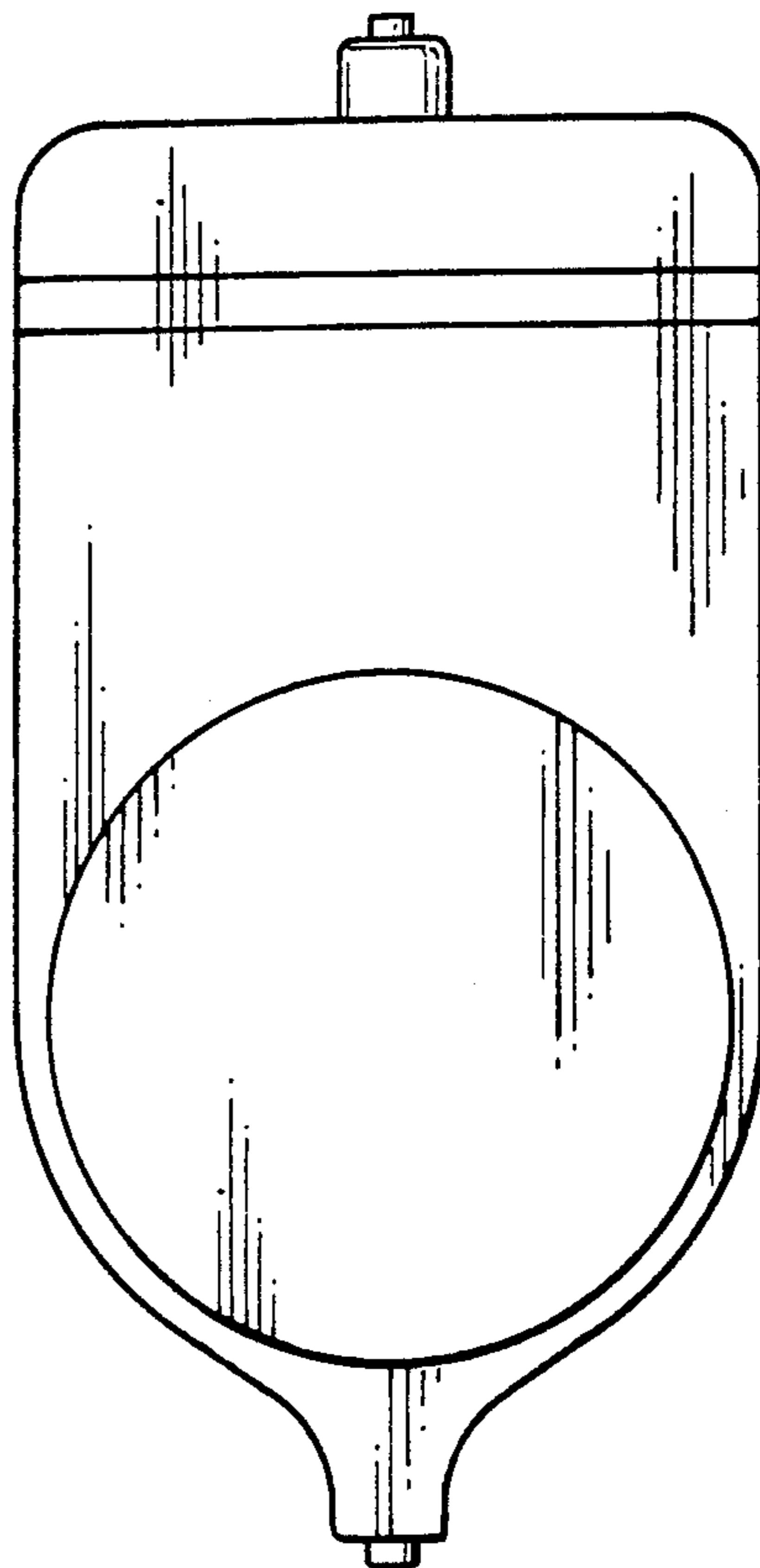


FIG. 3  
6



FIG. 4



FIG. 5



FIG. 6

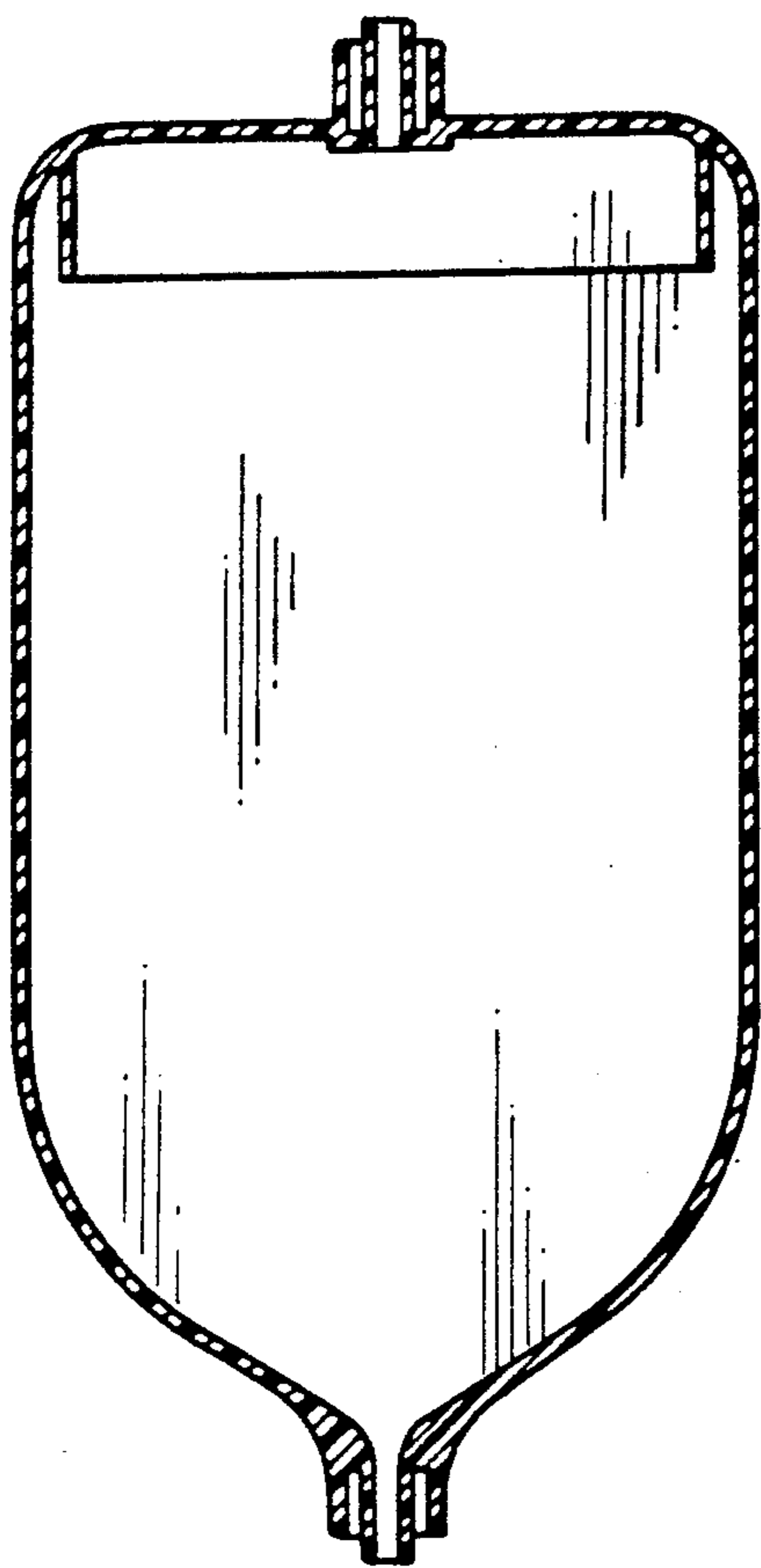


FIG. 7

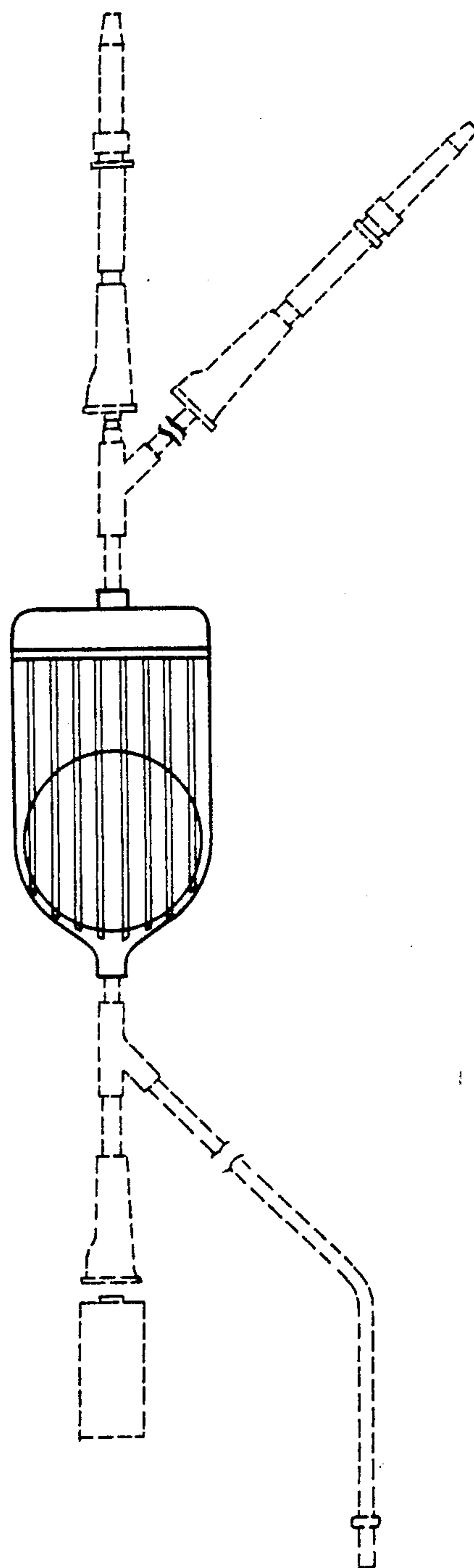


FIG. 8

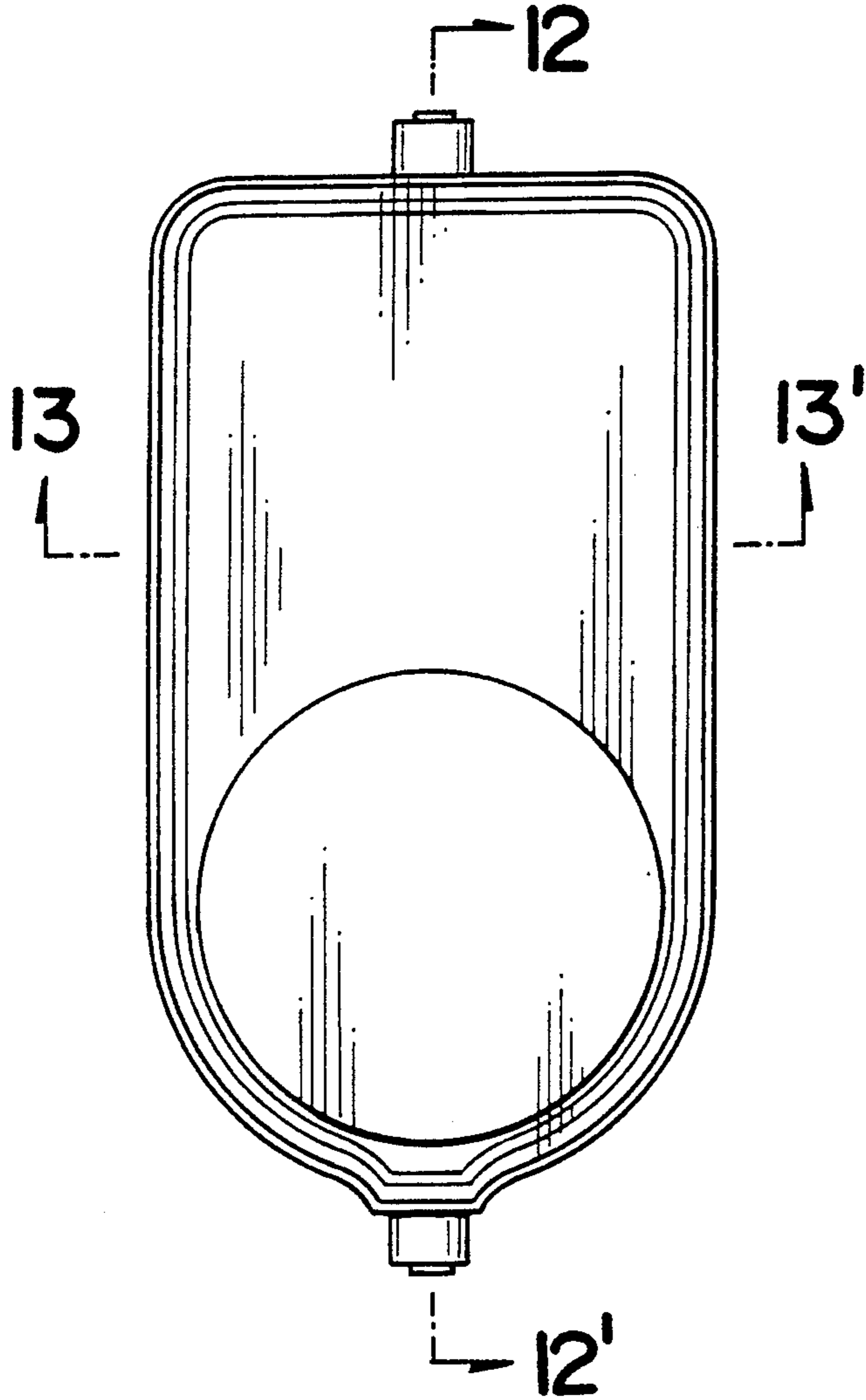


FIG. 9 FIG. 12

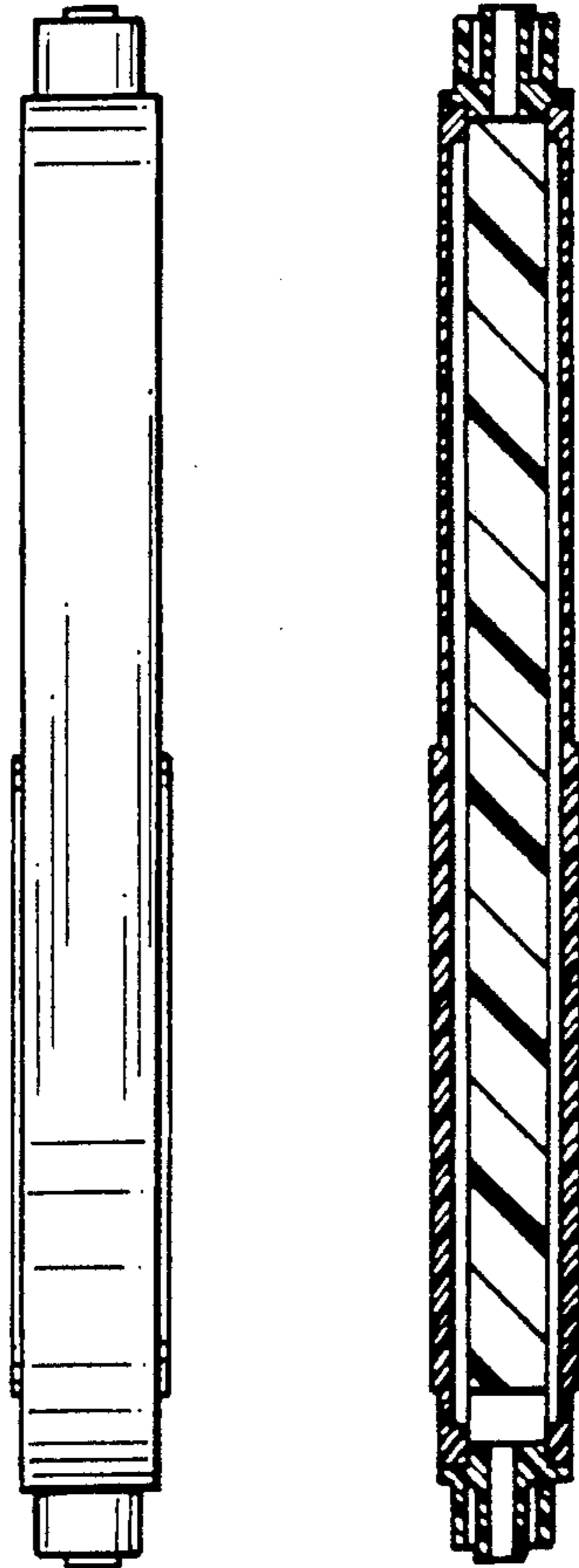


FIG. 10



FIG. 11

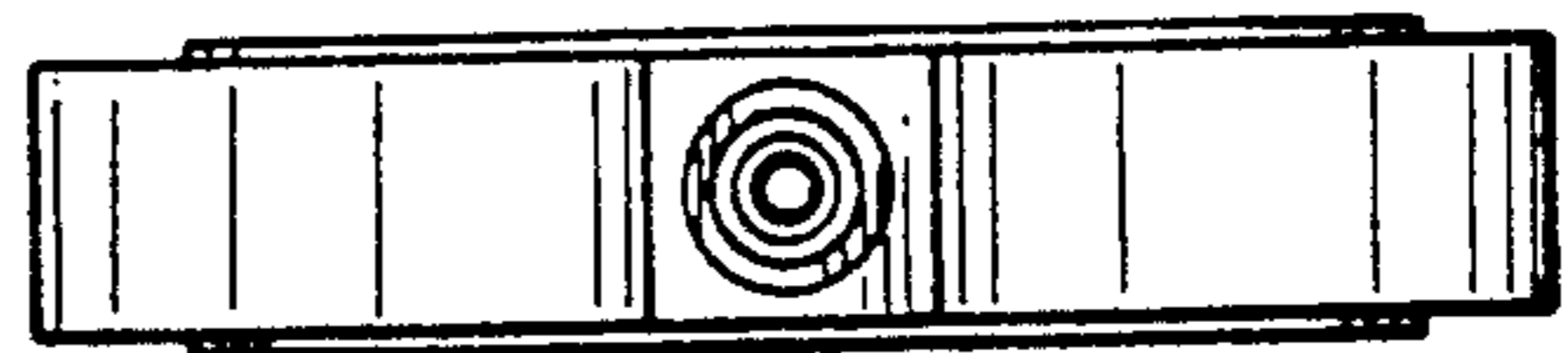


FIG. 13



FIG. 14

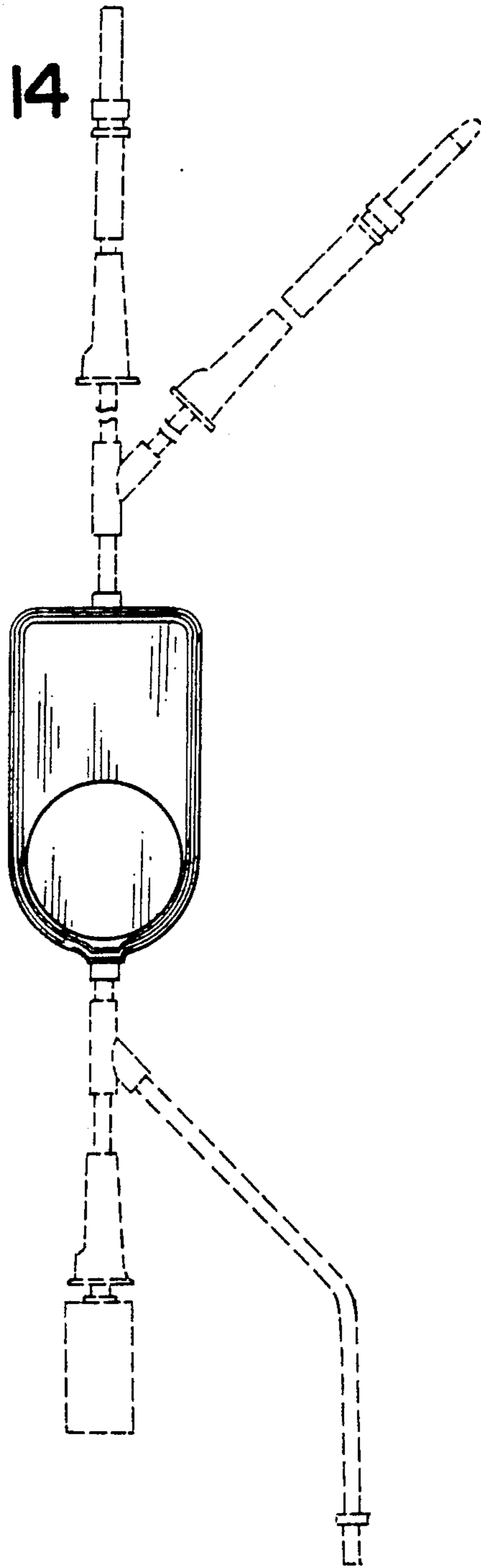


FIG. 15

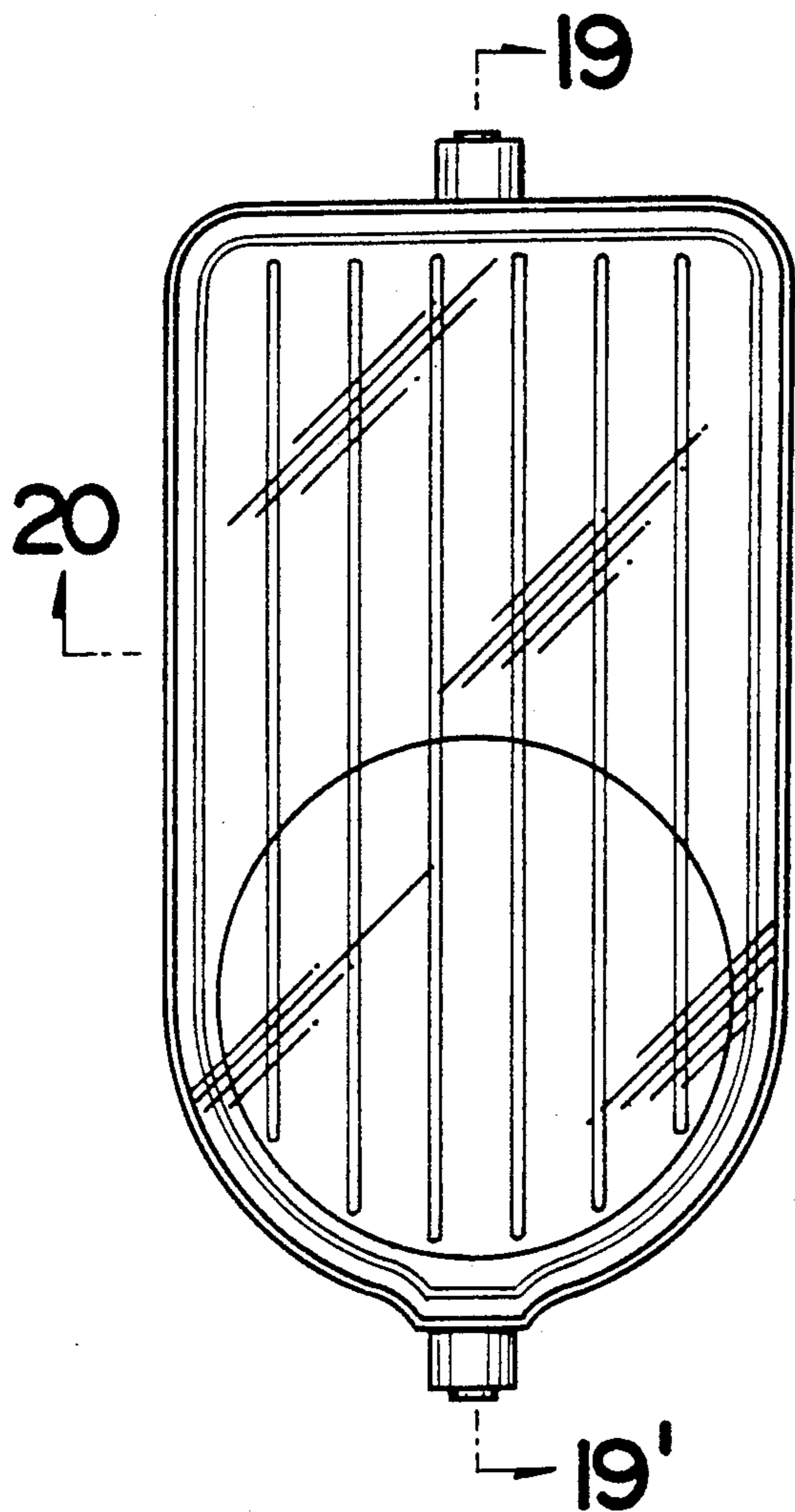


FIG. 16 FIG. 19

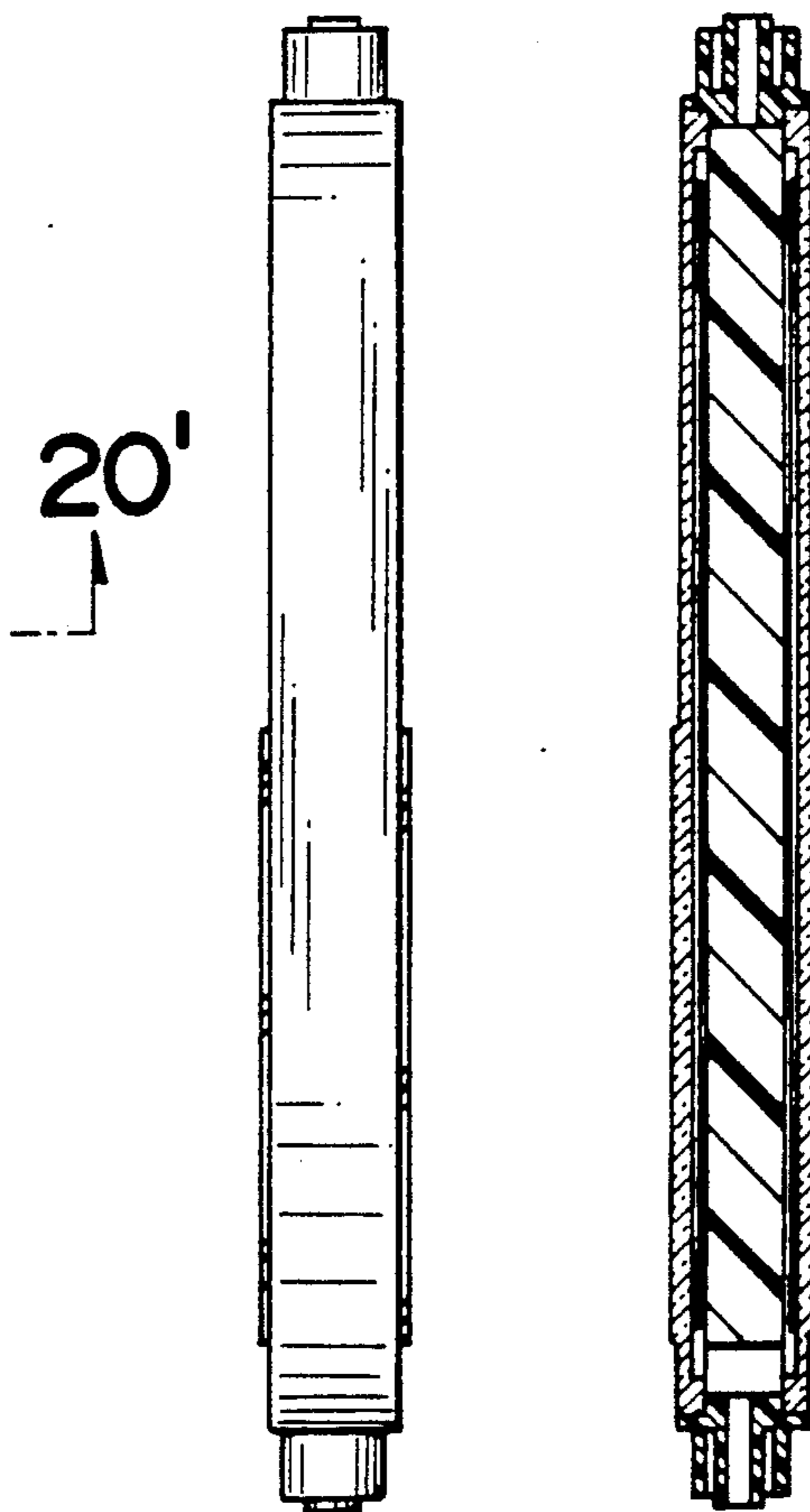


FIG. 17



FIG. 18



FIG. 20



FIG. 21

