

# United States Patent [19]

Summers

[11] Patent Number: **Des. 319,503**

[45] Date of Patent: **\*\* Aug. 27, 1991**

[54] TONGUE DEPRESSOR

[76] Inventor: **James A. Summers**, 15949 Live Oak Spring, Canyon Country, Calif. 91351

[\*\*] Term: **14 Years**

[21] Appl. No.: **306,147**

[22] Filed: **Feb. 6, 1989**

[52] U.S. Cl. .... **D24/136**

[58] Field of Search ..... **D24/19; 128/15, 16, 128/17, 18, 19**

[56] **References Cited**

### U.S. PATENT DOCUMENTS

D. 217,410 4/1970 Greatman ..... D24/19  
D. 263,743 4/1982 Priestman ..... D24/19

2,723,661 11/1955 Hull ..... 128/15  
3,315,664 4/1967 Hill ..... 128/15

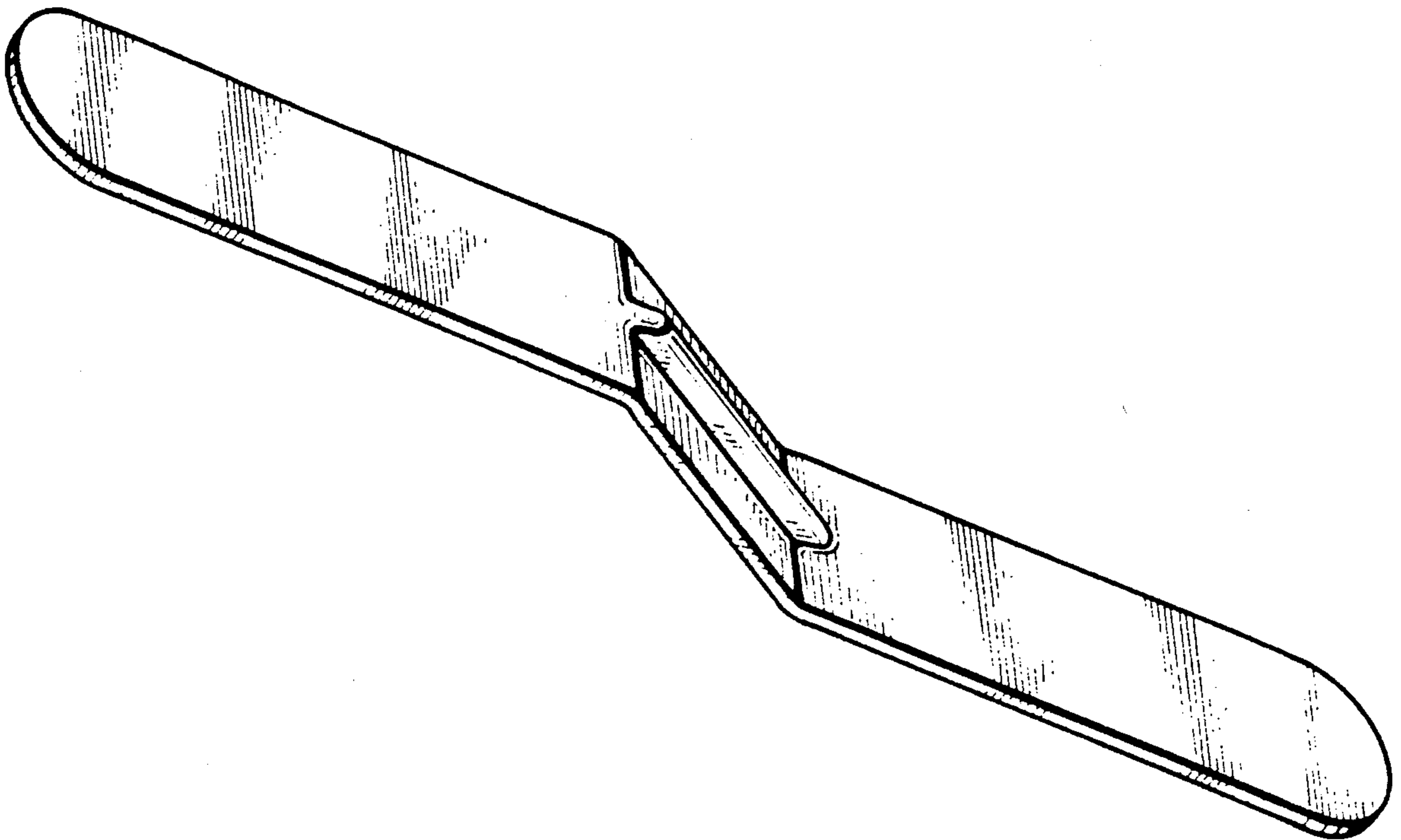
*Primary Examiner*—Stella Reid  
*Attorney, Agent, or Firm*—Jack C. Munro

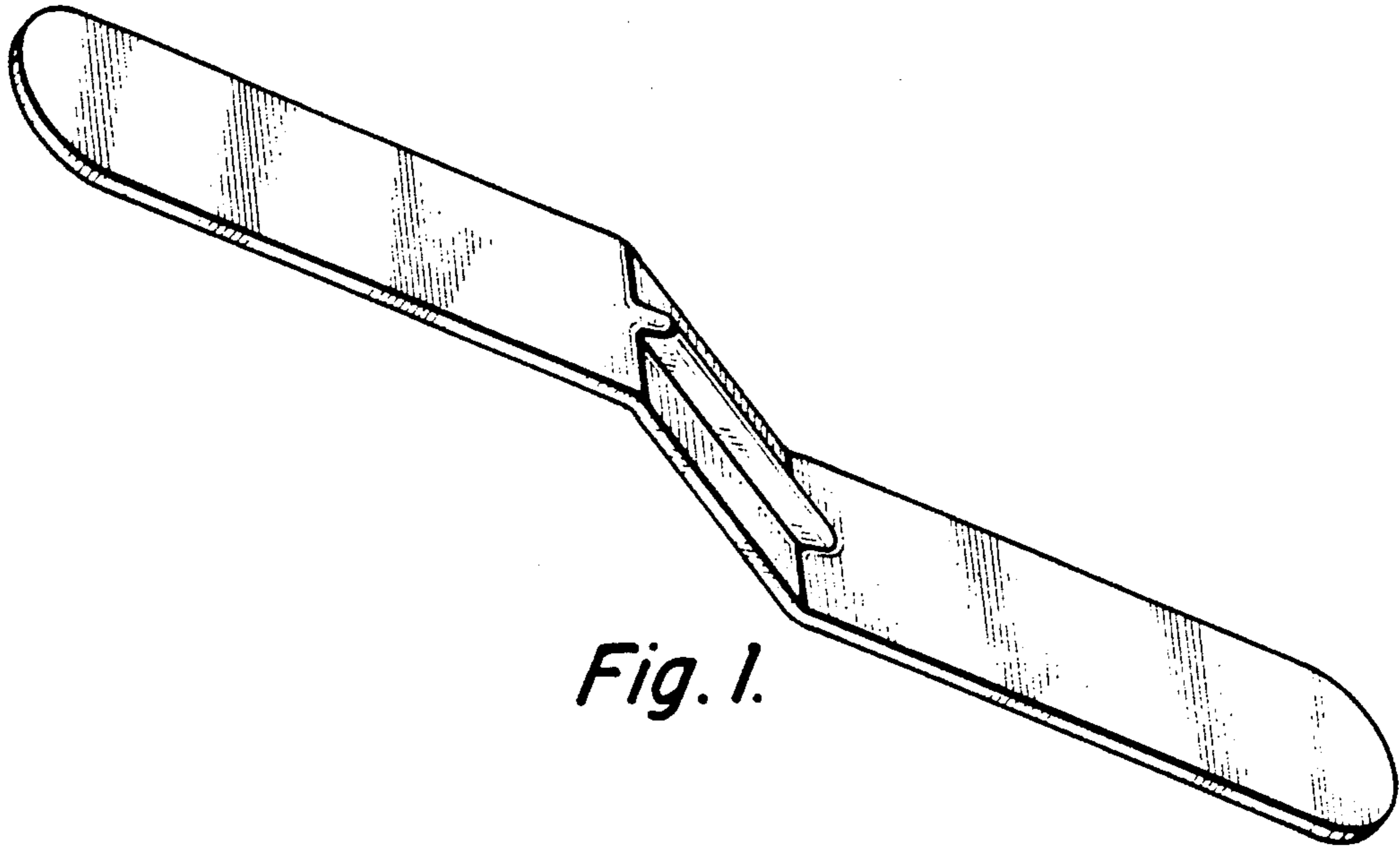
[57] **CLAIM**

The ornamental design for a tongue depressor, as shown and described.

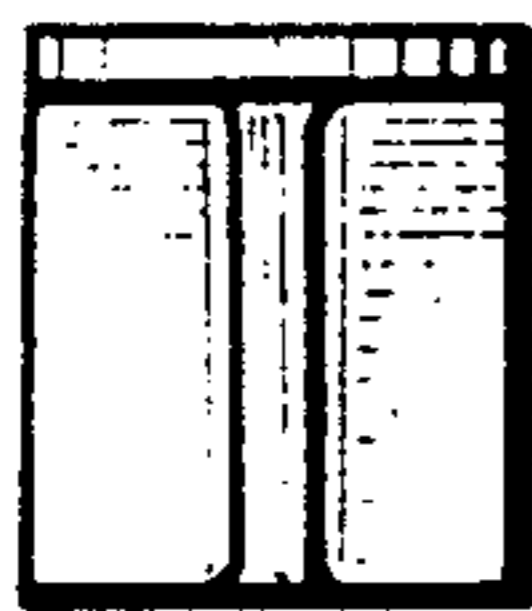
### DESCRIPTION

FIG. 1 is a perspective view of a tongue depressor, showing my new design;  
FIG. 2 is a front elevational view thereof;  
FIG. 3 is a right side elevational view thereof, the left side elevational view being identical;  
FIG. 4 is a top plan view thereof;  
FIG. 5 is a bottom plan view thereof; and  
FIG. 6 is a rear elevational view thereof.

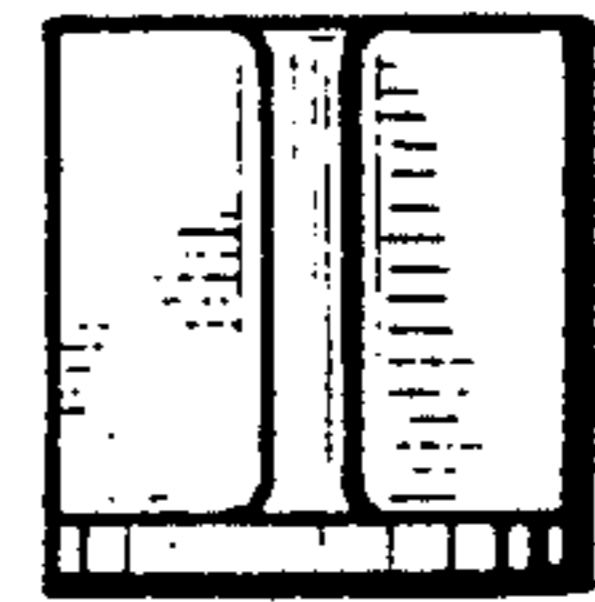




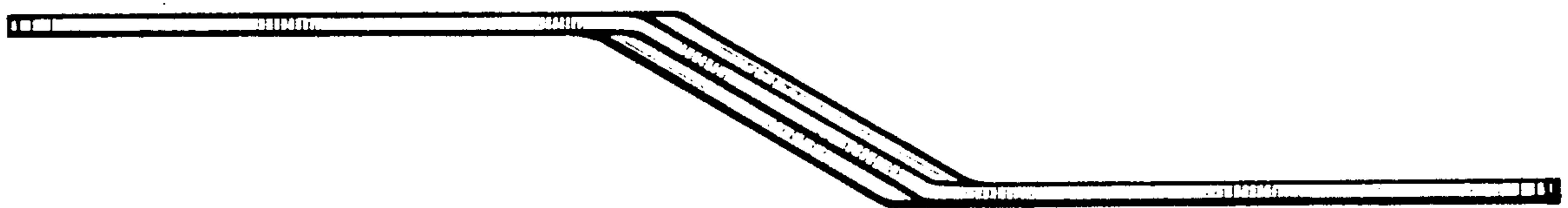
*Fig. 1.*



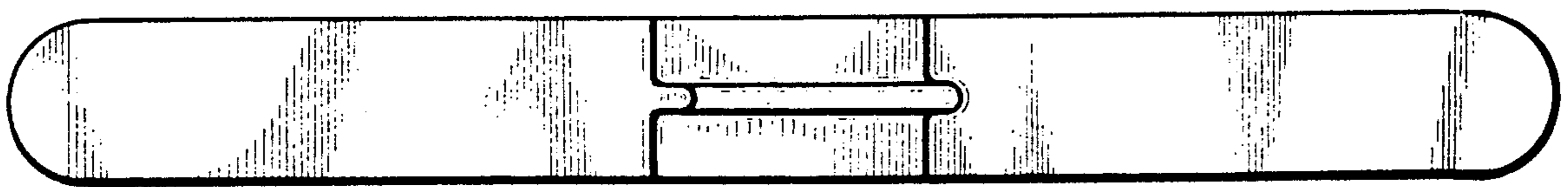
*Fig. 2.*



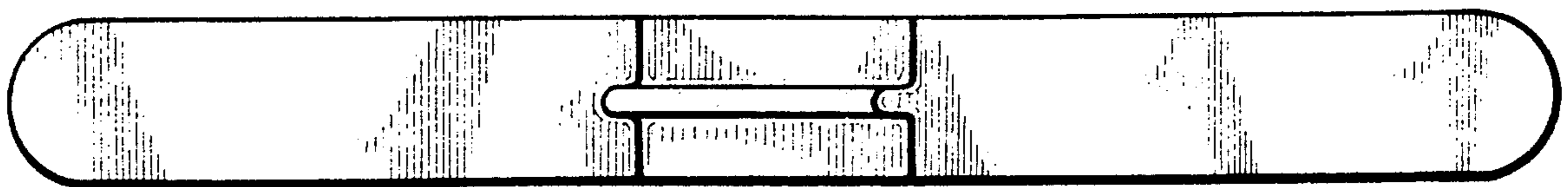
*Fig. 6.*



*Fig. 3.*



*Fig. 4.*



*Fig. 5.*