

[54] SURGICAL RETRACTOR FRAME

[76] Inventor: Gary K. Michelson, 438 Sherman Canal, Venice, Calif. 90291

[**] Term: 14 Years

[21] Appl. No.: 153,030

[22] Filed: Feb. 8, 1988

[52] U.S. Cl. D24/135

[58] Field of Search D24/18, 27, 26; 128/20, 128/18, 17, 3

[56] References Cited

U.S. PATENT DOCUMENTS

- 4,702,230 10/1987 Pelta 128/20
- 4,829,985 5/1989 Couetil 128/20

OTHER PUBLICATIONS

Aloe Medical Catalog, C. 1965, p. 106.

Primary Examiner—Stella Reid

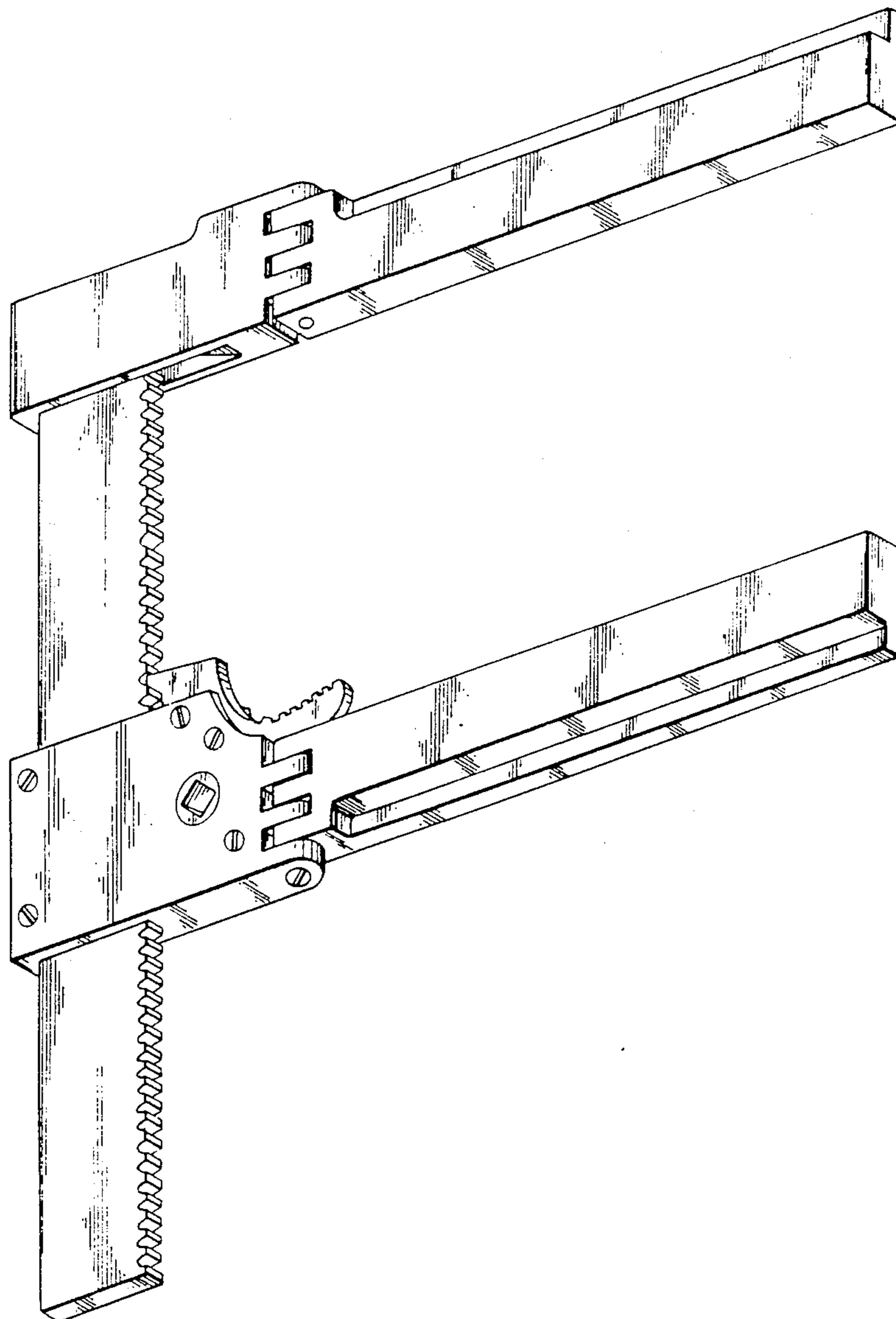
Attorney, Agent, or Firm—Lewis Anten

[57] CLAIM

The ornamental design for a surgical retractor frame, as shown.

DESCRIPTION

FIG. 1 is a perspective view of a surgical retractor frame, showing my new design;
 FIG. 2 is a front elevational view thereof;
 FIG. 3 is a rear elevational view thereof;
 FIG. 4 is a right side elevational view thereof;
 FIG. 5 is a left side elevational view thereof;
 FIG. 6 is a top plan view thereof; and
 FIG. 7 is a bottom plan view thereof.



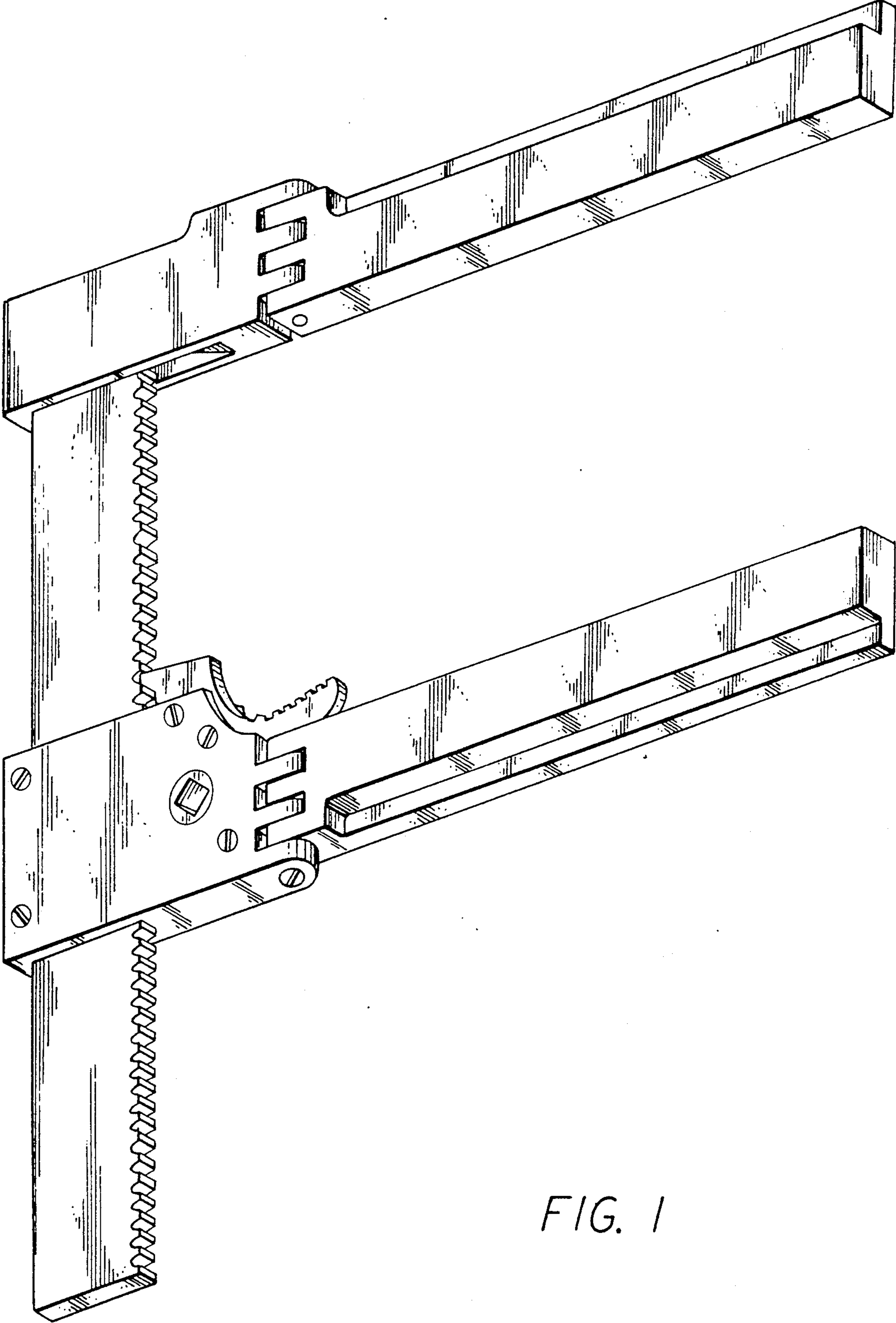


FIG. 1

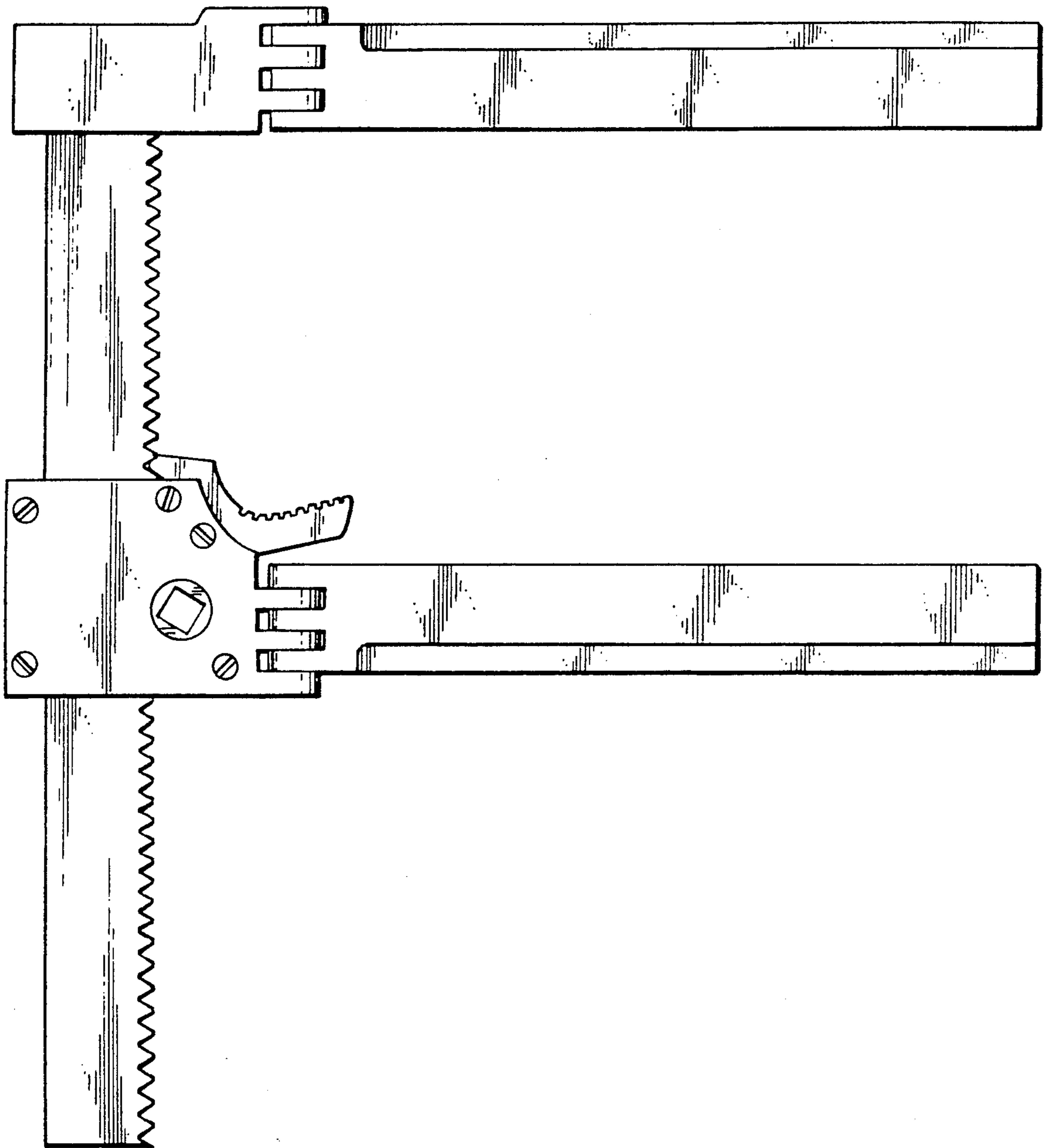


FIG. 2

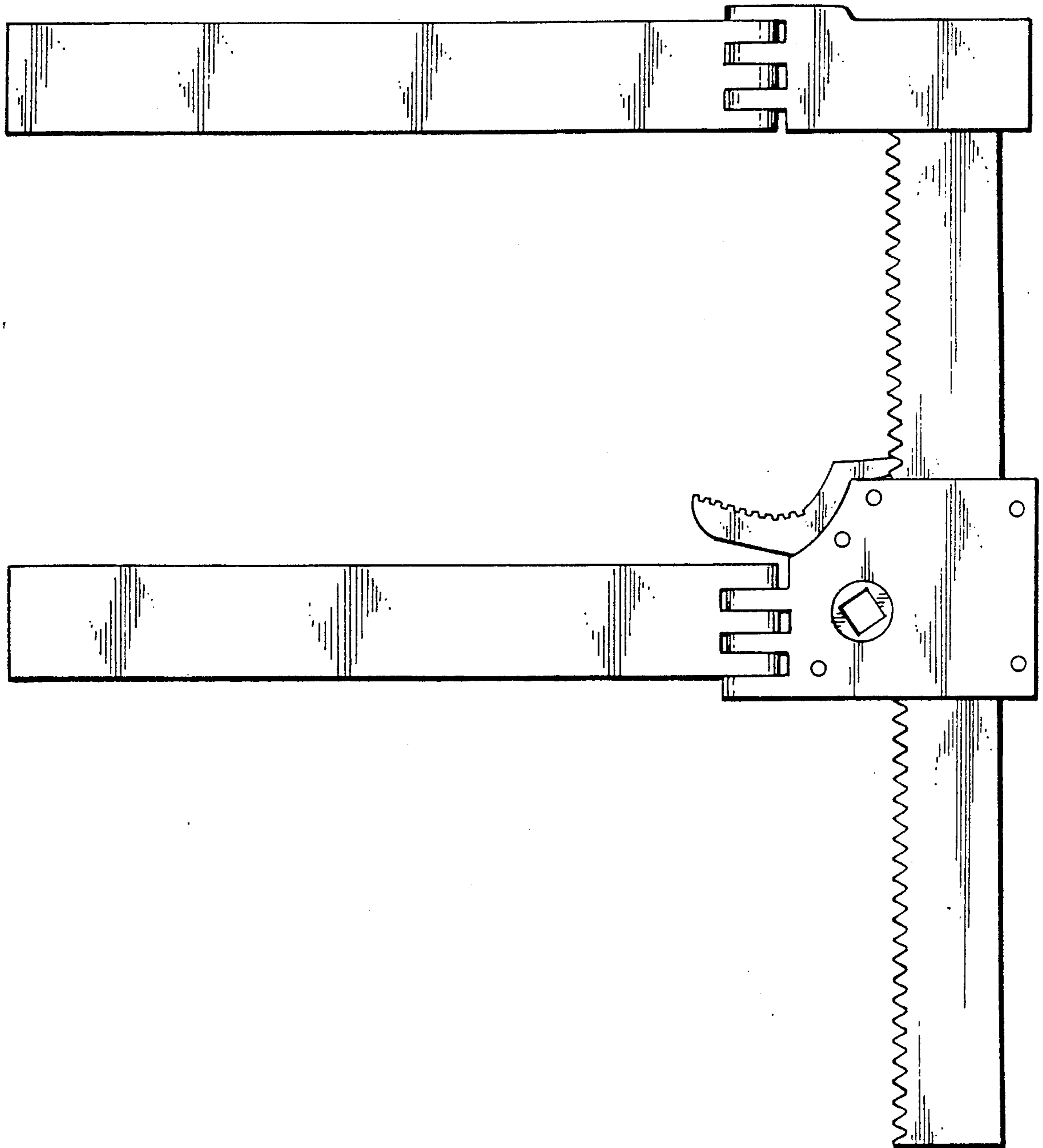


FIG. 3

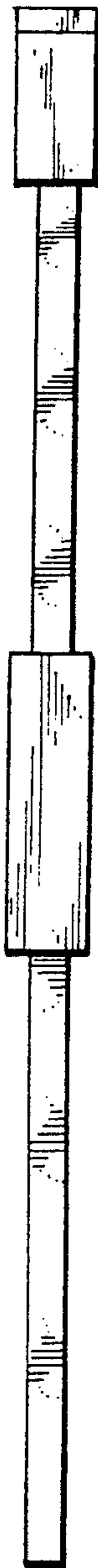


FIG. 4



FIG. 5

FIG. 6

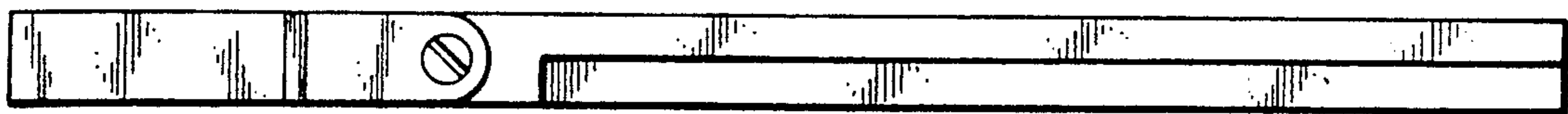


FIG. 7

