

[54] FAN HEATER

[75] Inventor: Jyh C. Huang, Cerritos, Calif.
[73] Assignee: Tatung Company of America, Inc.,
Long Beach, Calif.
[**] Term: 14 Years
[21] Appl. No.: 539,468
[22] Filed: Jun. 18, 1990
[52] U.S. Cl. D23/335
[58] Field of Search D23/335, 328, 337, 370,
D23/381, 332; D14/204, 210, 214; 392/365,
366, 367, 368, 369, 375, 376; 416/247 R;
415/121.2

D. 313,842 1/1991 Fan D23/335

OTHER PUBLICATIONS

Electrical Merchandising, Jul. 31, 1961, p. 7, High Watt
Heater, top right side of page.
Housewares, Apr. 21-27, 1988, p. 15, Ceramic Heater
Ⓐ, middle right side of page.

Primary Examiner—James M. Gandy
Assistant Examiner—Lisa Lichenstein
Attorney, Agent, or Firm—Jack C. Munro

[57] CLAIM

The ornamental design for a fan heater, as shown.

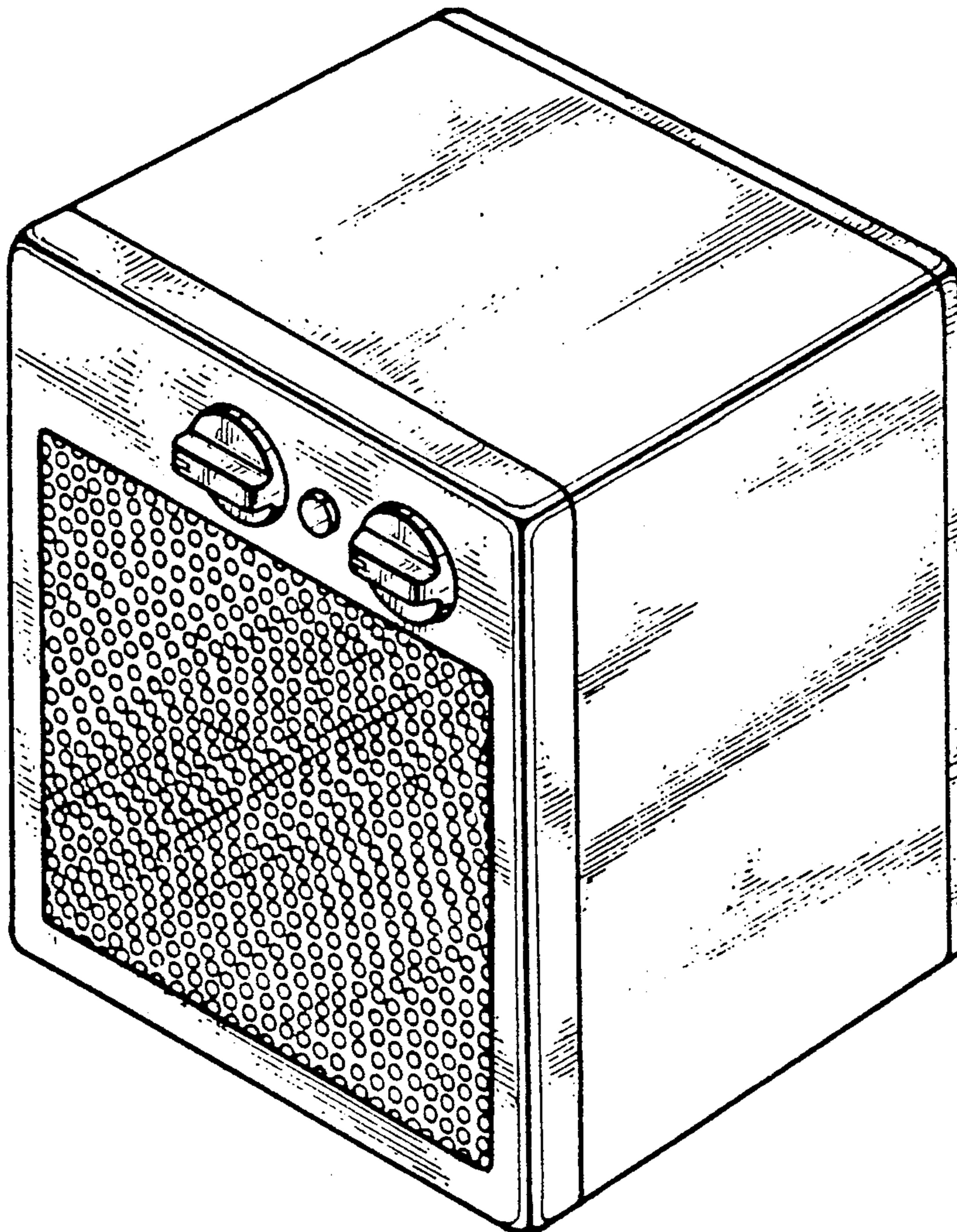
DESCRIPTION

FIG. 1 is a front top, and right side perspective view of
a fan heater showing my new design;
FIG. 2 is an enlarged front elevation view thereof;
FIG. 3 is an enlarged right side elevation view thereof;
FIG. 4 is an enlarged rear elevation view thereof;
FIG. 5 is an enlarged left side elevation view thereof;
FIG. 6 is an enlarged top plan view thereof; and
FIG. 7 is an enlarged bottom plan view thereof.

[56] References Cited

U.S. PATENT DOCUMENTS

D. 95,301	4/1935	Adam	D23/335
D. 282,102	1/1986	Yuen	D23/328
D. 291,350	8/1987	Sherman et al.	D23/335
D. 296,467	6/1988	Wen-Ying	D23/381
D. 312,302	11/1990	Fan	D23/335



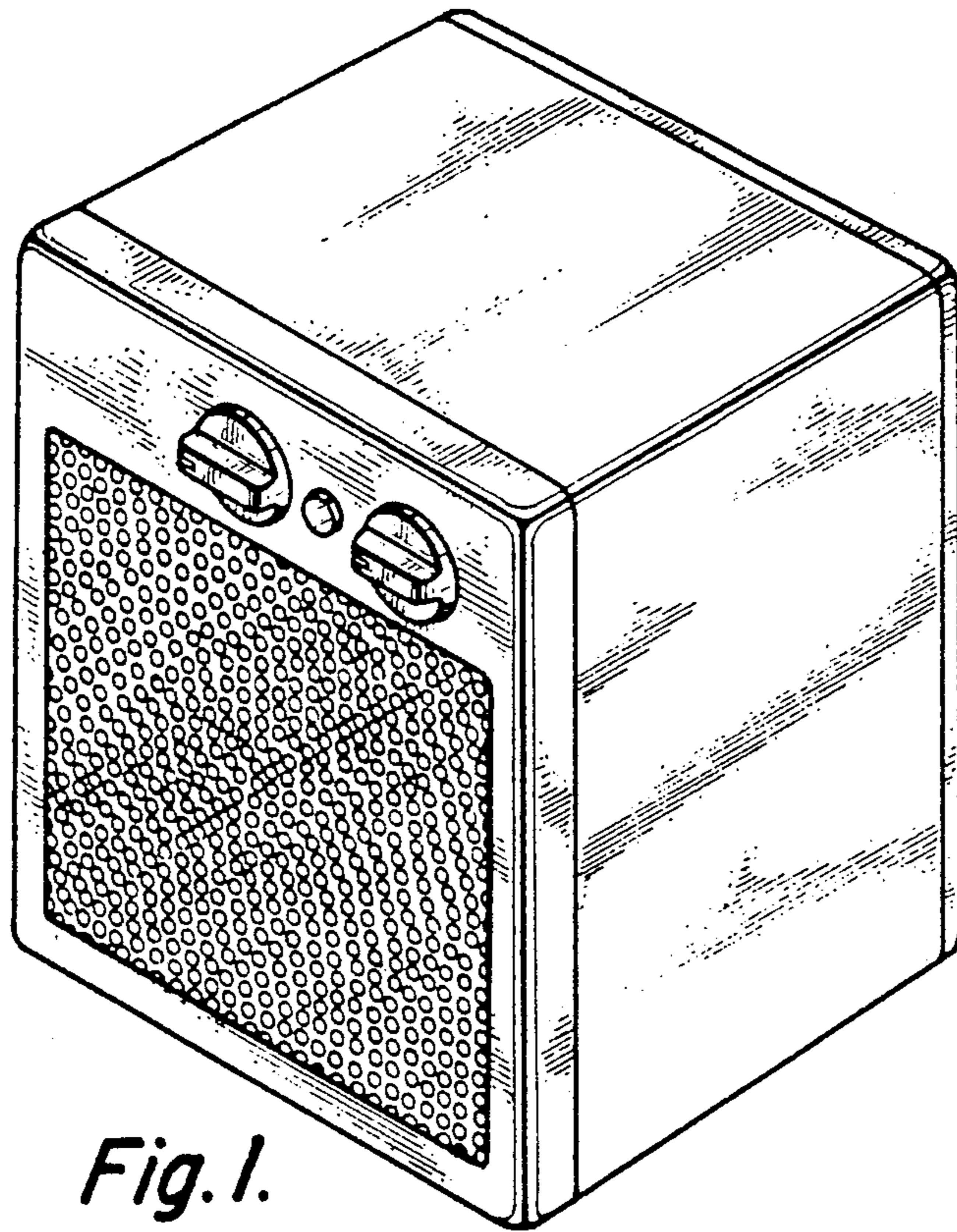


Fig. 1.

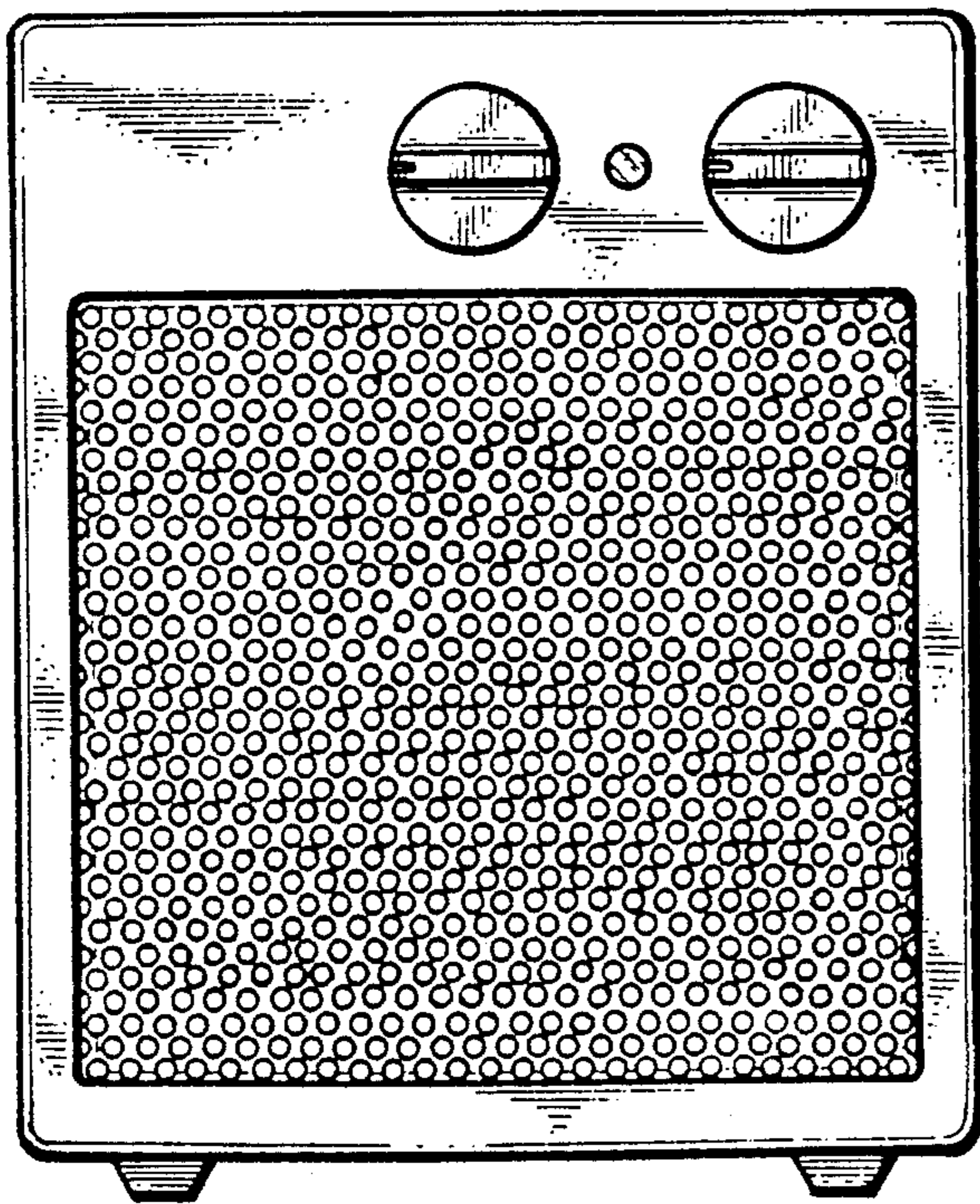


Fig. 2.

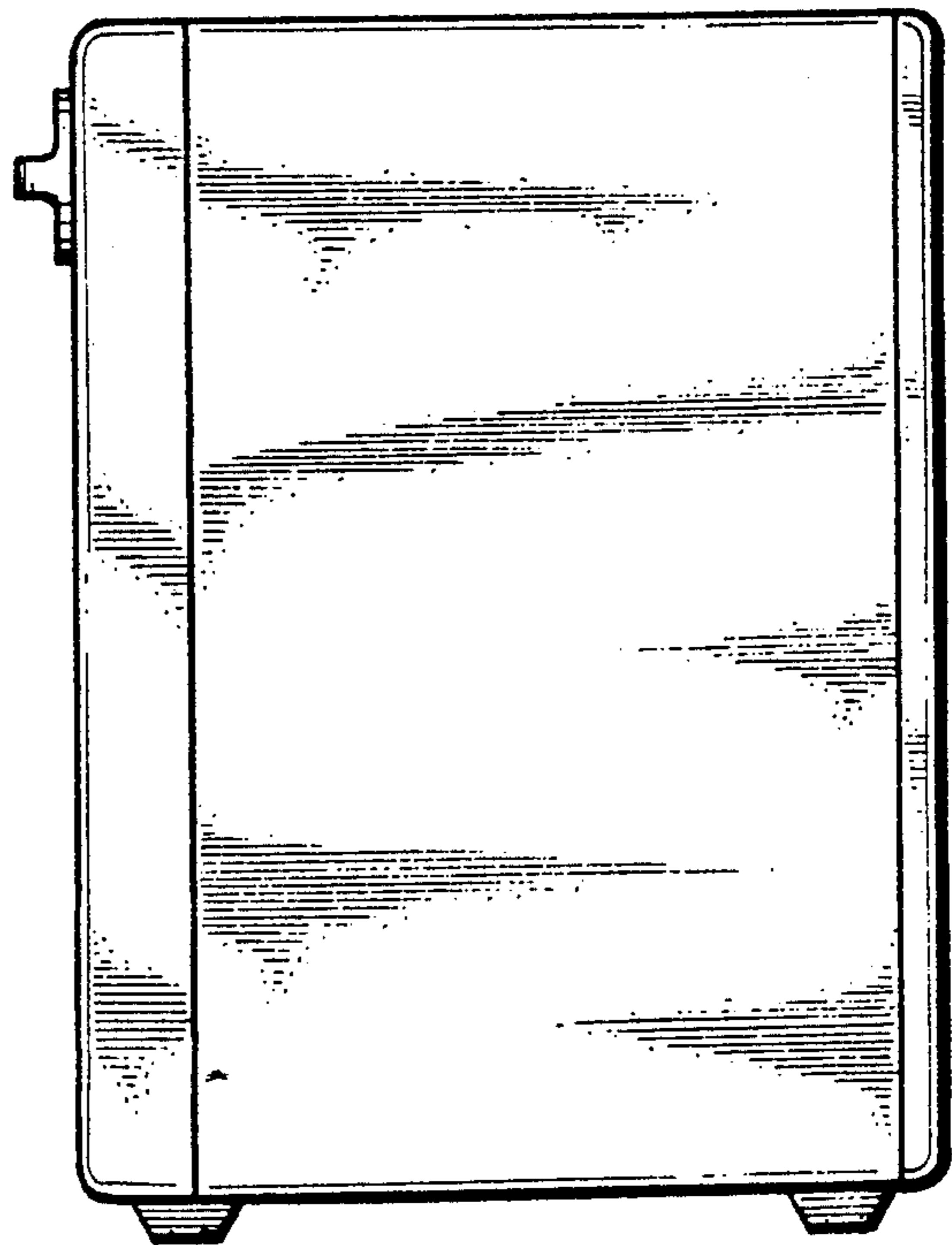


Fig. 3.

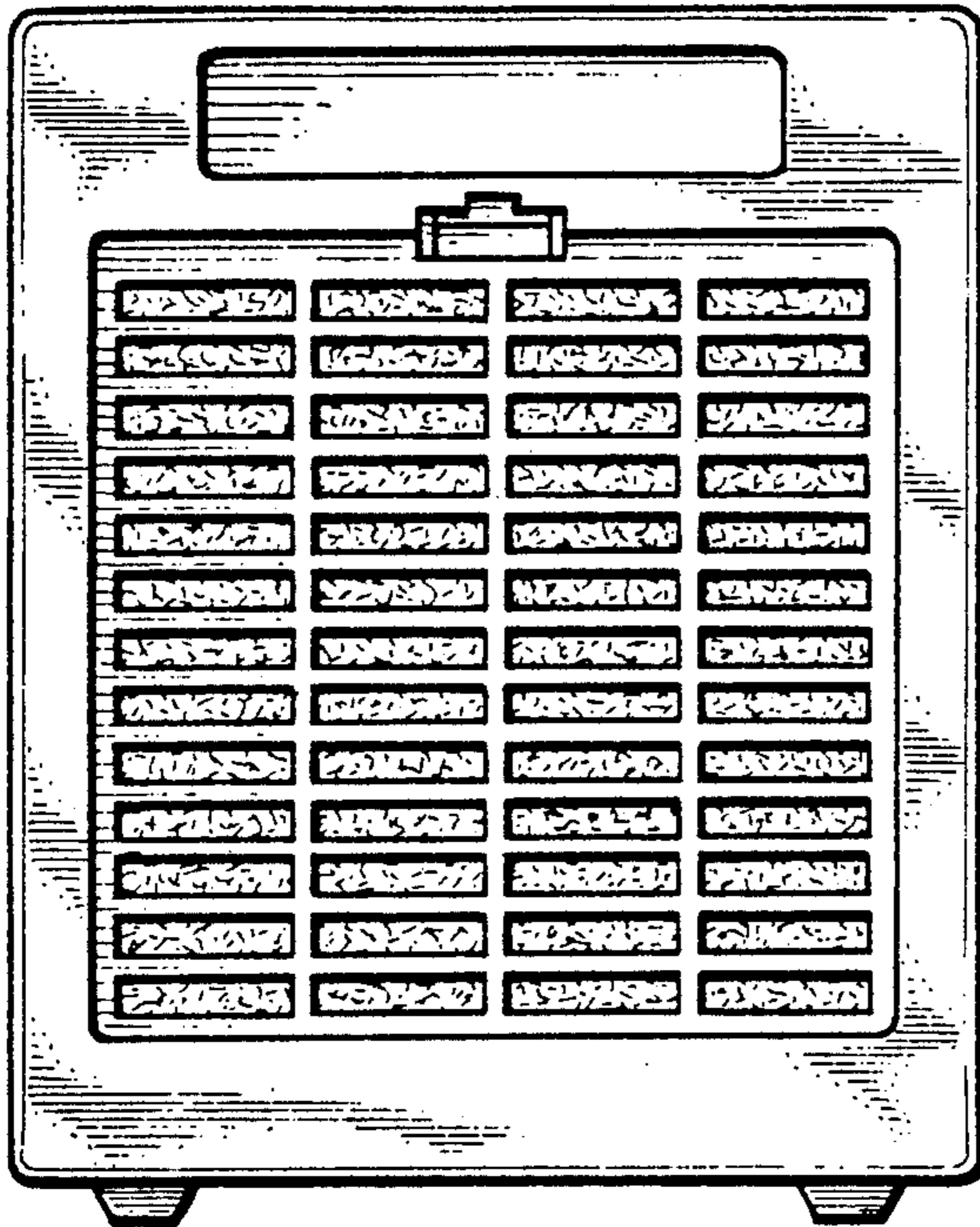


Fig. 4.

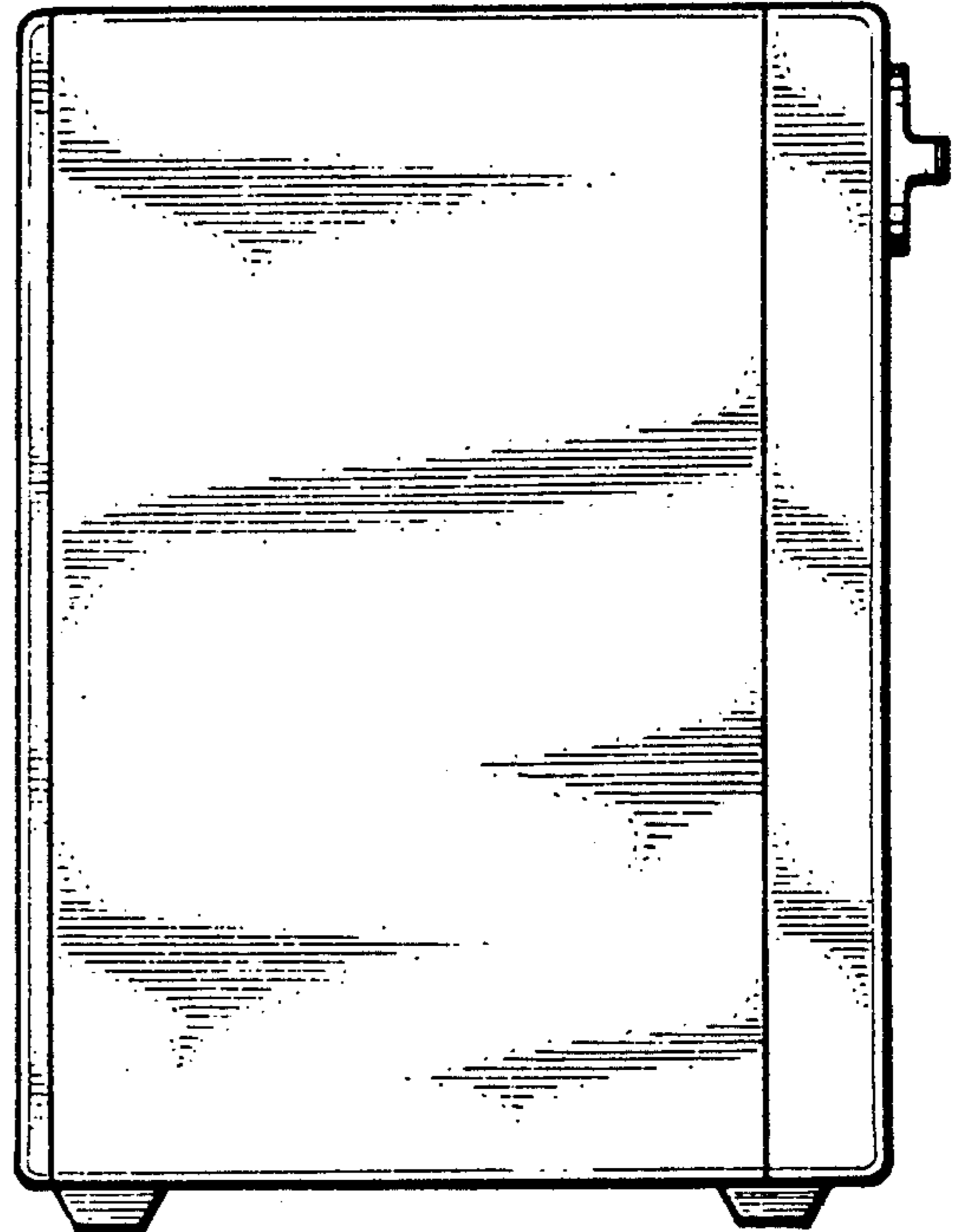


Fig. 5.

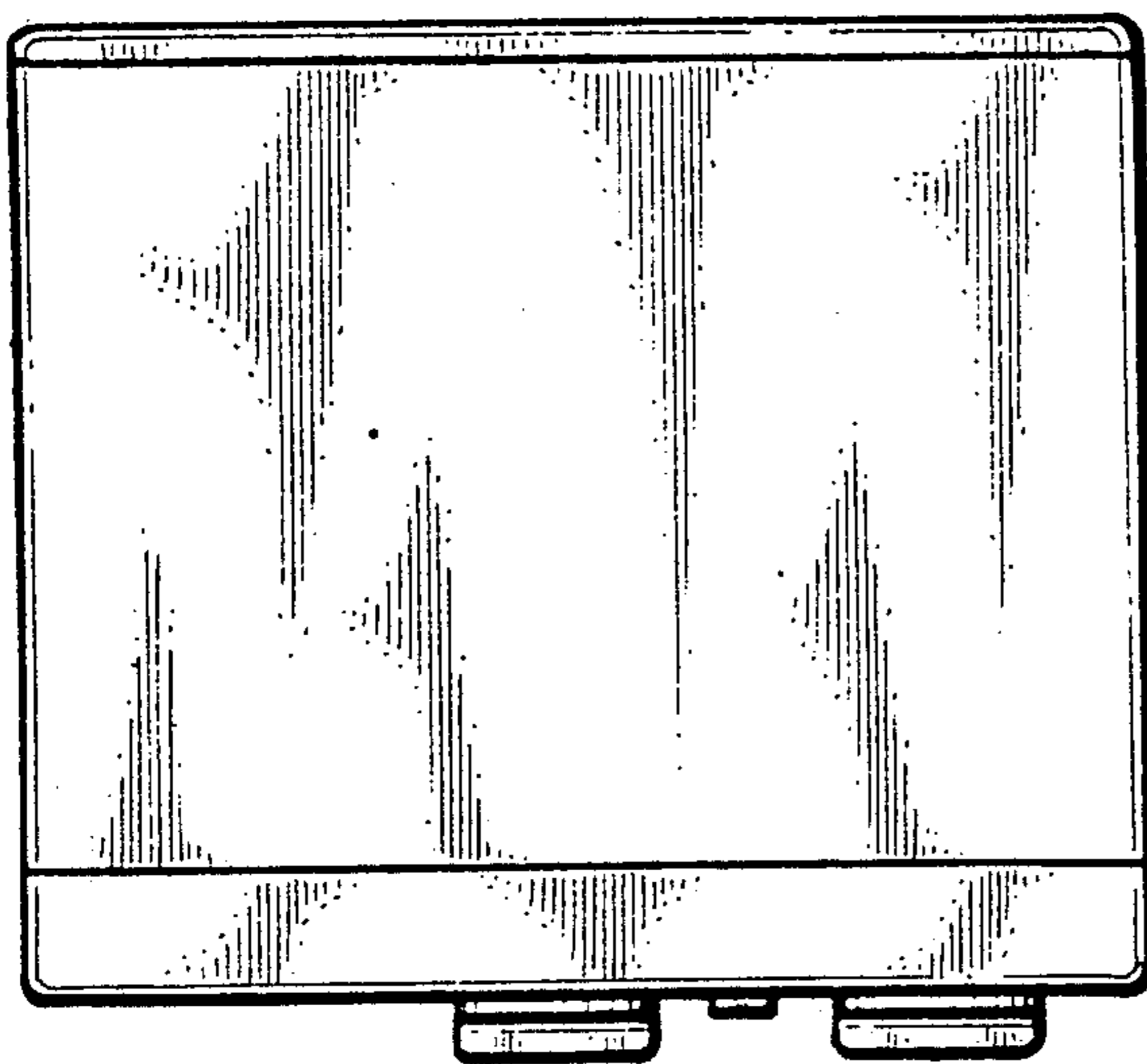


Fig. 6.

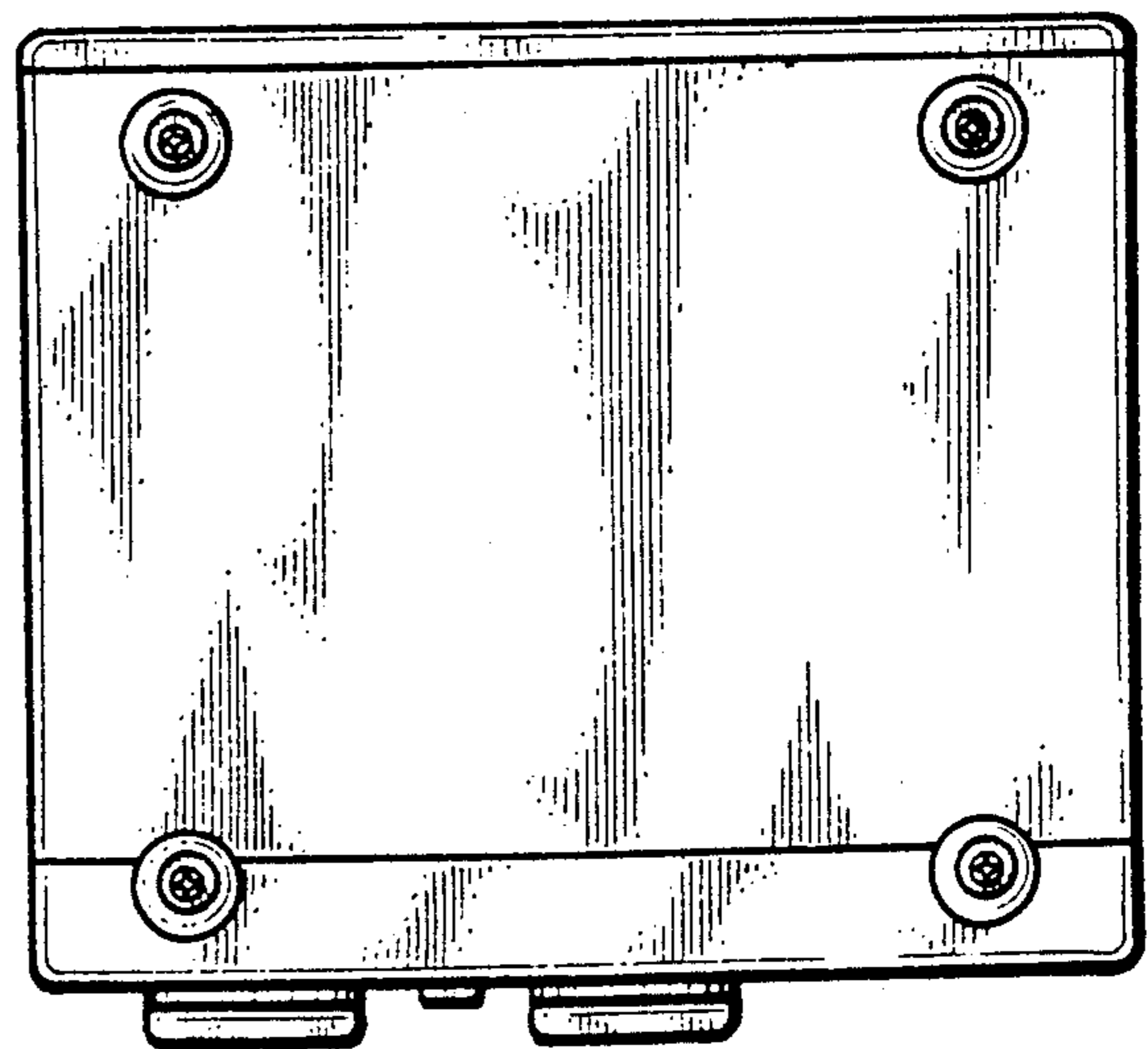


Fig. 7.