

[54] FISHING LURE

2,531,418 11/1950 Fitzharris ..... 43/43.15 X  
2,734,303 2/1956 Peck et al. .... 43/44.9 X  
3,124,892 3/1964 O'Brien ..... 43/43.15 X

[76] Inventor: Alexander J. Anvil, P.O. Box 1443,  
Bethel, Ak. 99559

[\*\*] Term: 14 Years

Primary Examiner—A. Hugo Word  
Assistant Examiner—Doris V. Coles  
Attorney, Agent, or Firm—Jerry T. Kearns

[21] Appl. No.: 210,295

[22] Filed: Jun. 22, 1988

[52] U.S. Cl. .... D22/126; D22/145;  
D22/146

[57] CLAIM

The ornamental design for a fishing lure, as shown and described.

[58] Field of Search ..... D22/126, 145, 146;  
43/43.13, 43.14, 42.39, 42.48, 42.46, 44.9, 44.96,  
44.97, 43.11, 44.88, 44.91

DESCRIPTION

FIG. 1 is a front elevational view of a fishing lure showing my new design;  
FIG. 2 is a rear elevational view thereof;  
FIG. 3 is a left side elevational view thereof;  
FIG. 4 is a right side elevational view thereof;  
FIG. 5 is a top plan view thereof; and,  
FIG. 6 is a bottom plan view thereof.

[56] References Cited

U.S. PATENT DOCUMENTS

1,708,825 4/1929 Barclay ..... 43/42.46  
2,241,767 5/1941 Cullerton ..... 43/42.48

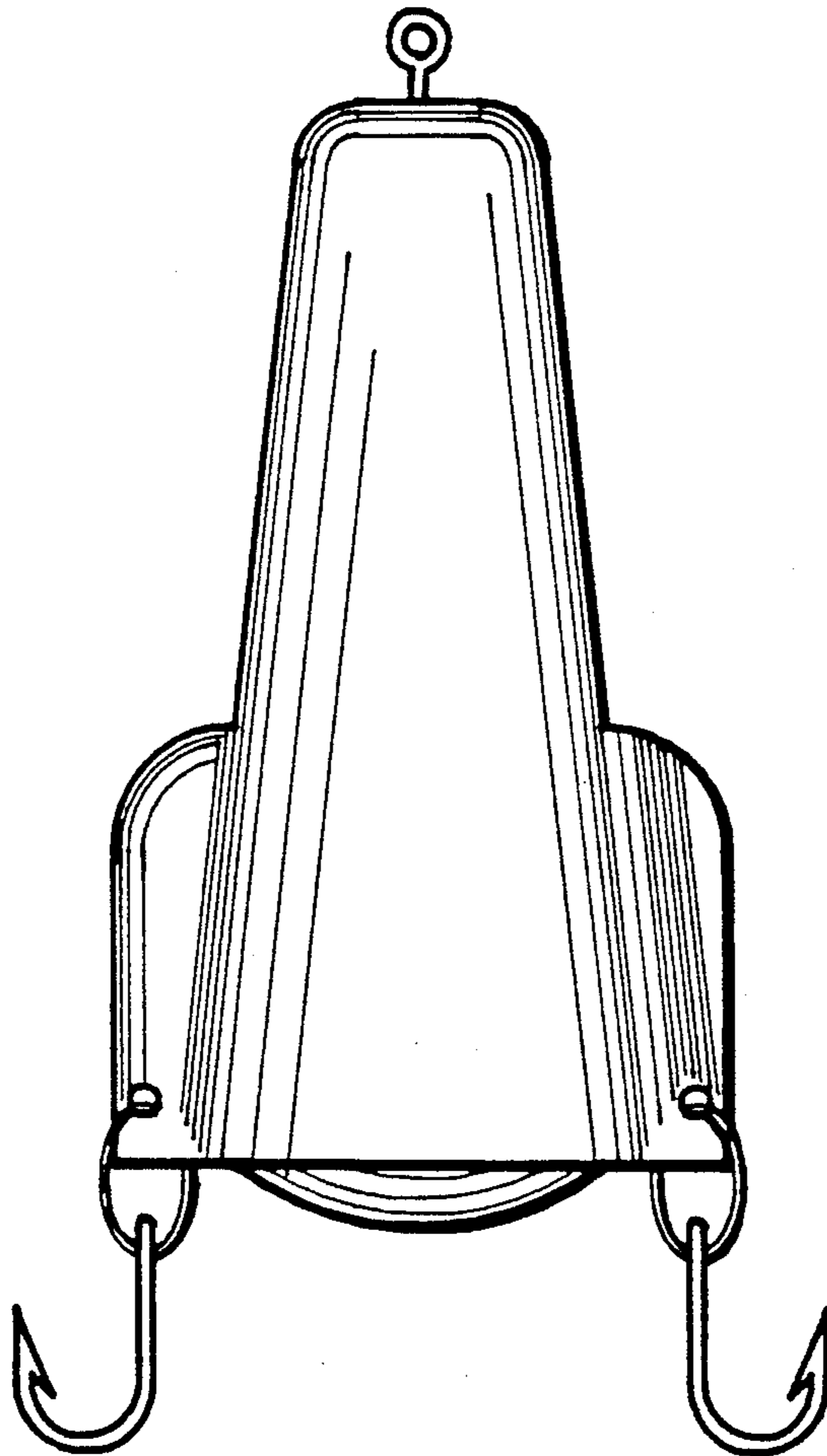


Fig. 1

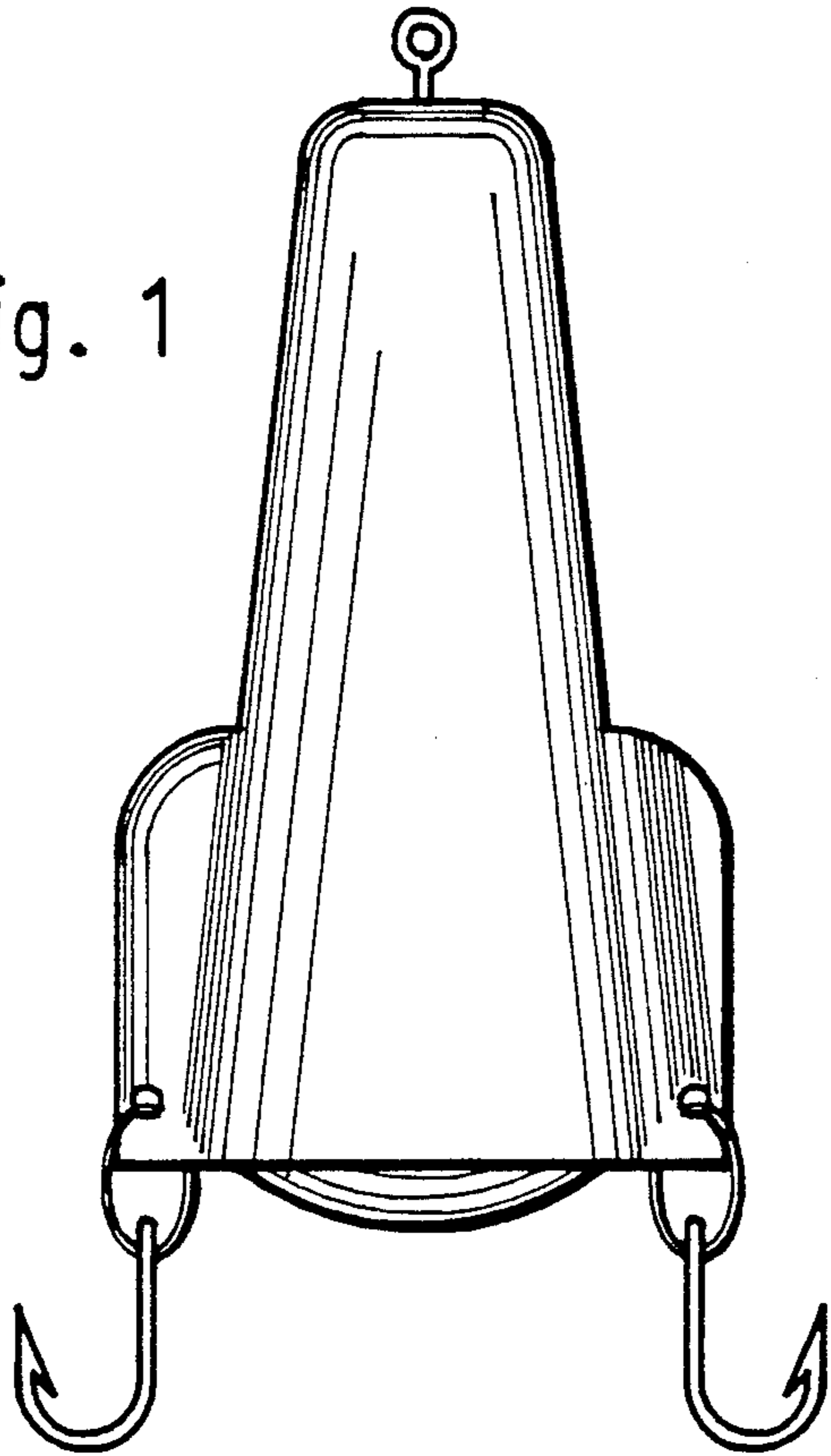


Fig. 2

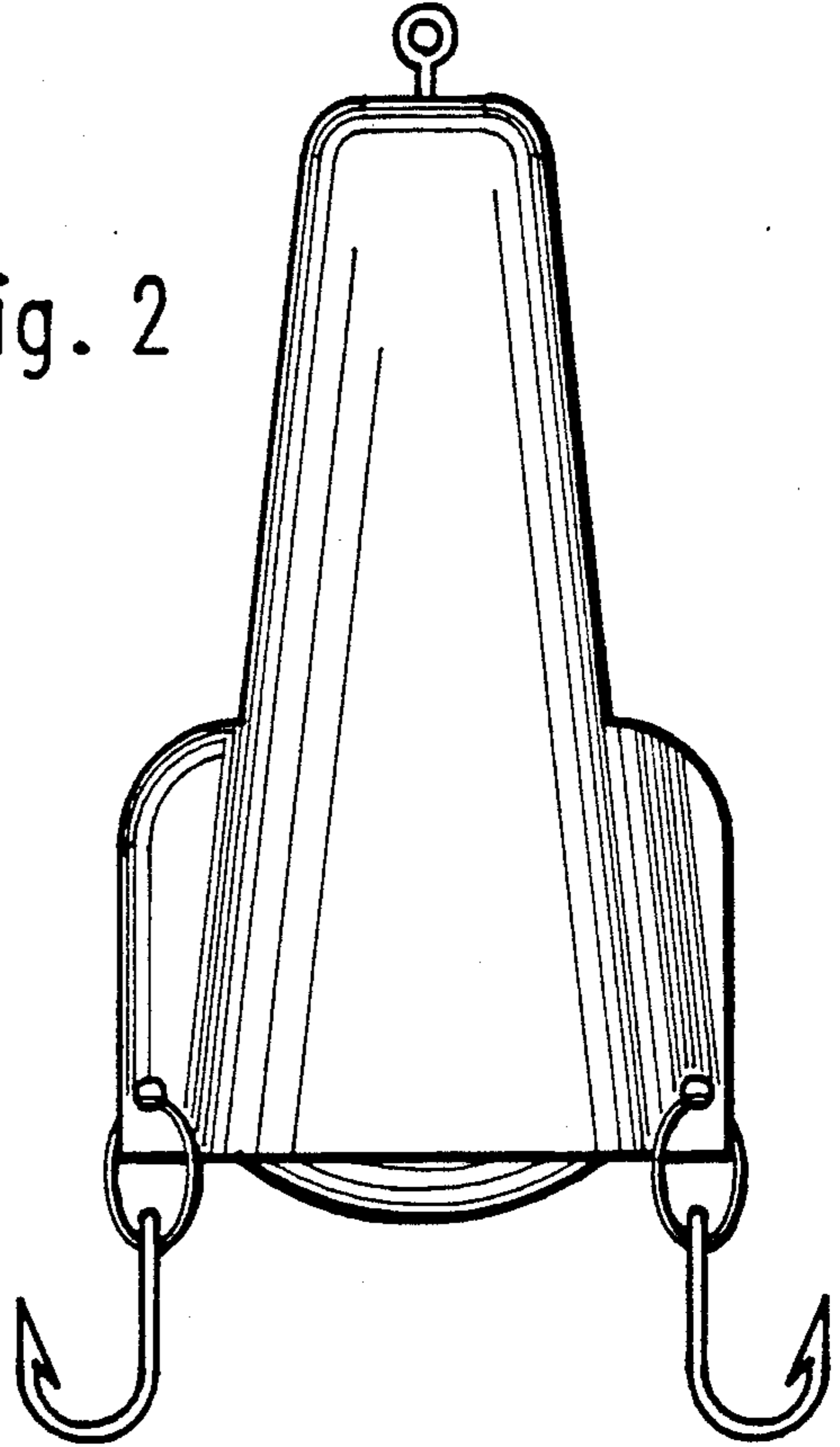


Fig. 3

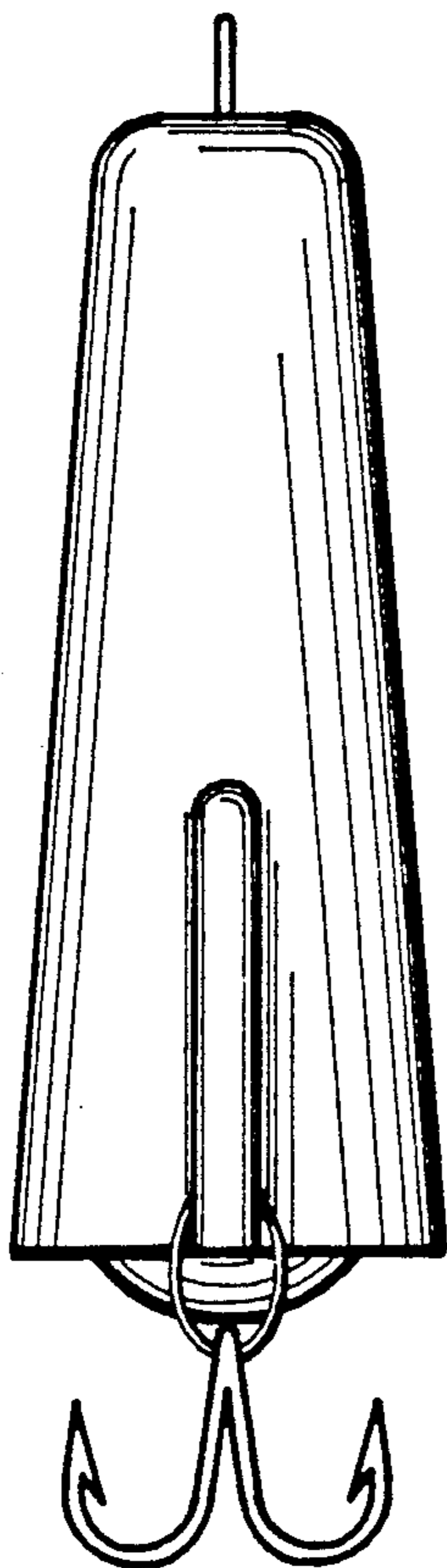
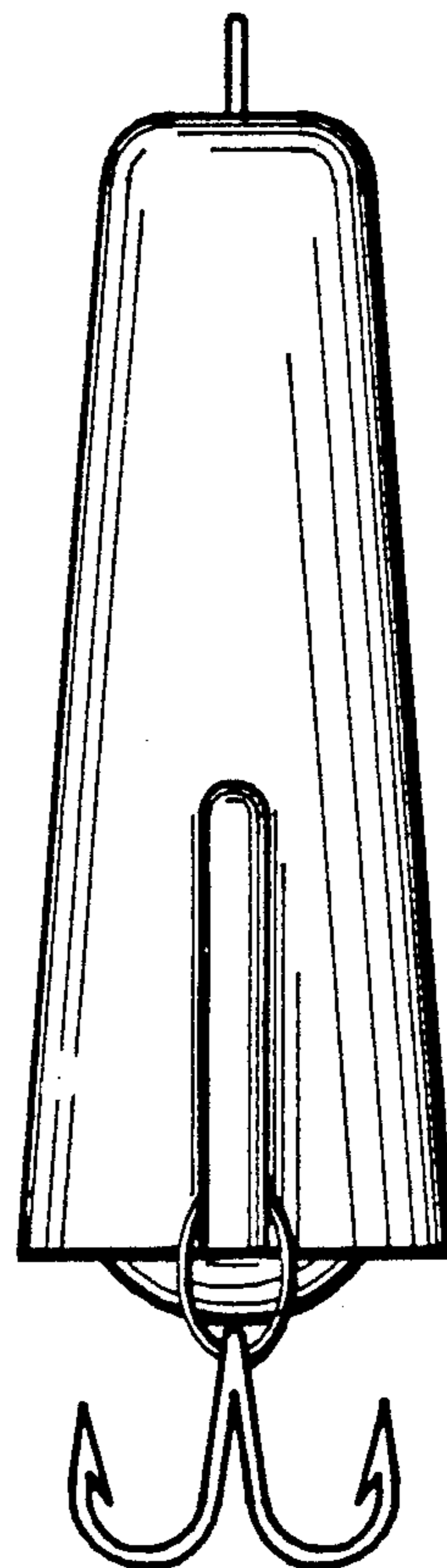


Fig. 4



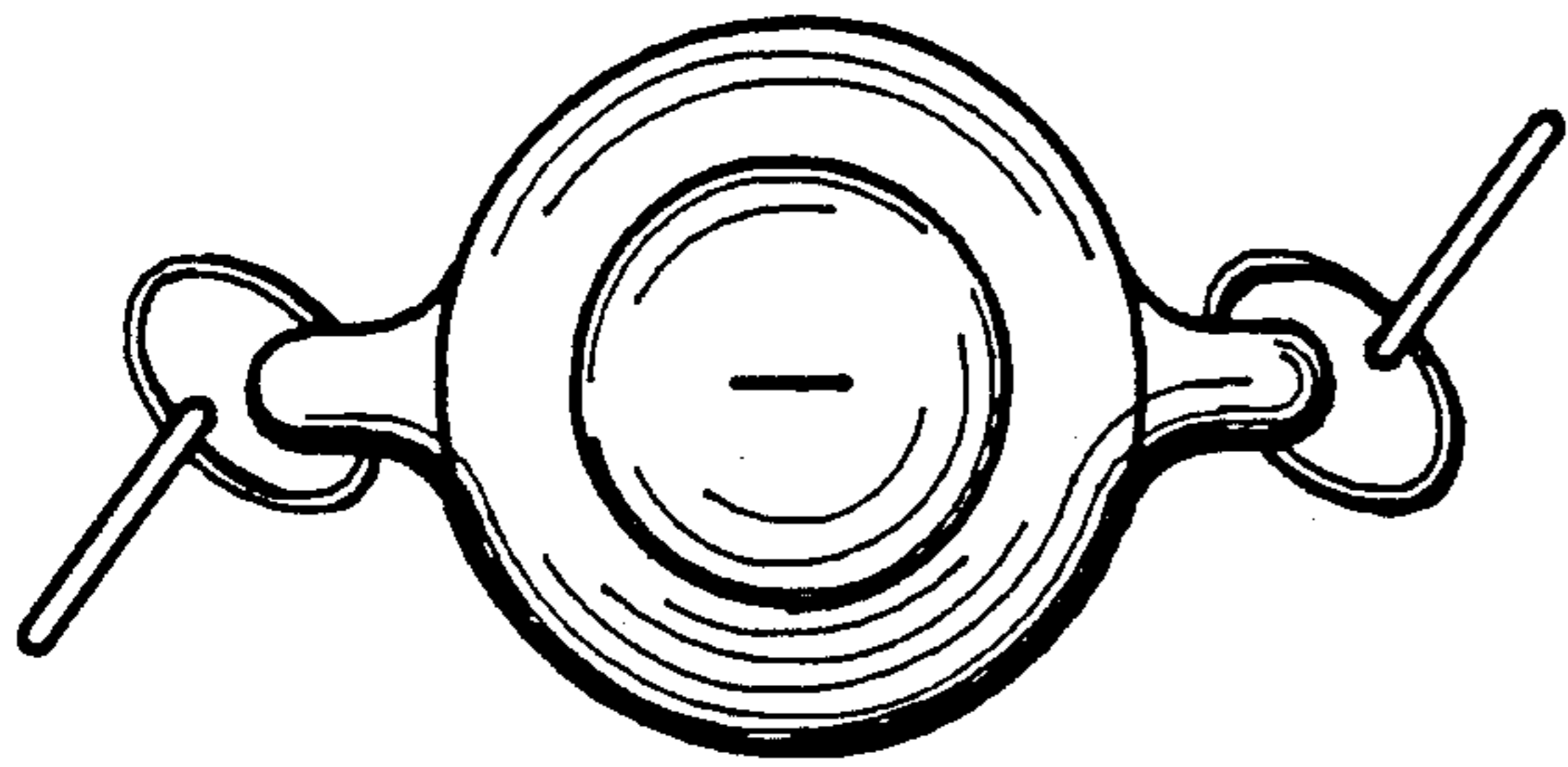


Fig. 5

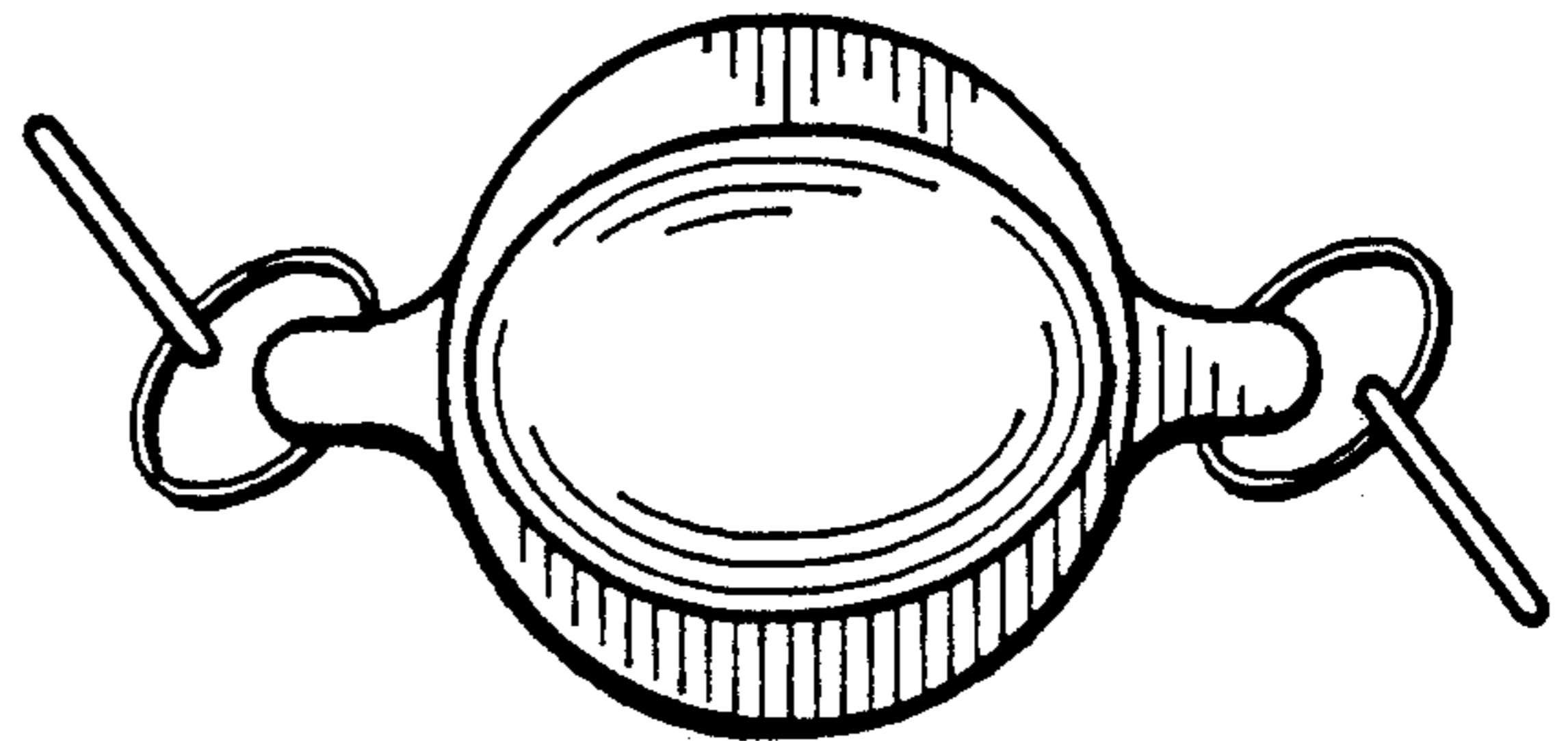


Fig. 6