

[54] WATER JOGGER

[76] Inventor: Robert S. Scheurer, P.O. Box 539, Wichita Falls, Tex. 76307

[**] Term: 14 Years

[21] Appl. No.: 271,777

[22] Filed: Nov. 15, 1988

[52] U.S. Cl. D21/237; D21/236

[58] Field of Search D21/236, 237, 238; 272/1 B, 116, 71, 71 R; 441/88, 58

[56] References Cited

U.S. PATENT DOCUMENTS

D. 187,626	4/1960	Irving	D21/237
D. 274,078	5/1984	Bland	D21/238
4,804,177	2/1989	Rosson	D21/236
4,861,300	8/1989	Casagrande	D21/237

OTHER PUBLICATIONS

Popular Science, Aug. 1986, p. 41, Inflatable Plastic Water Shoes.

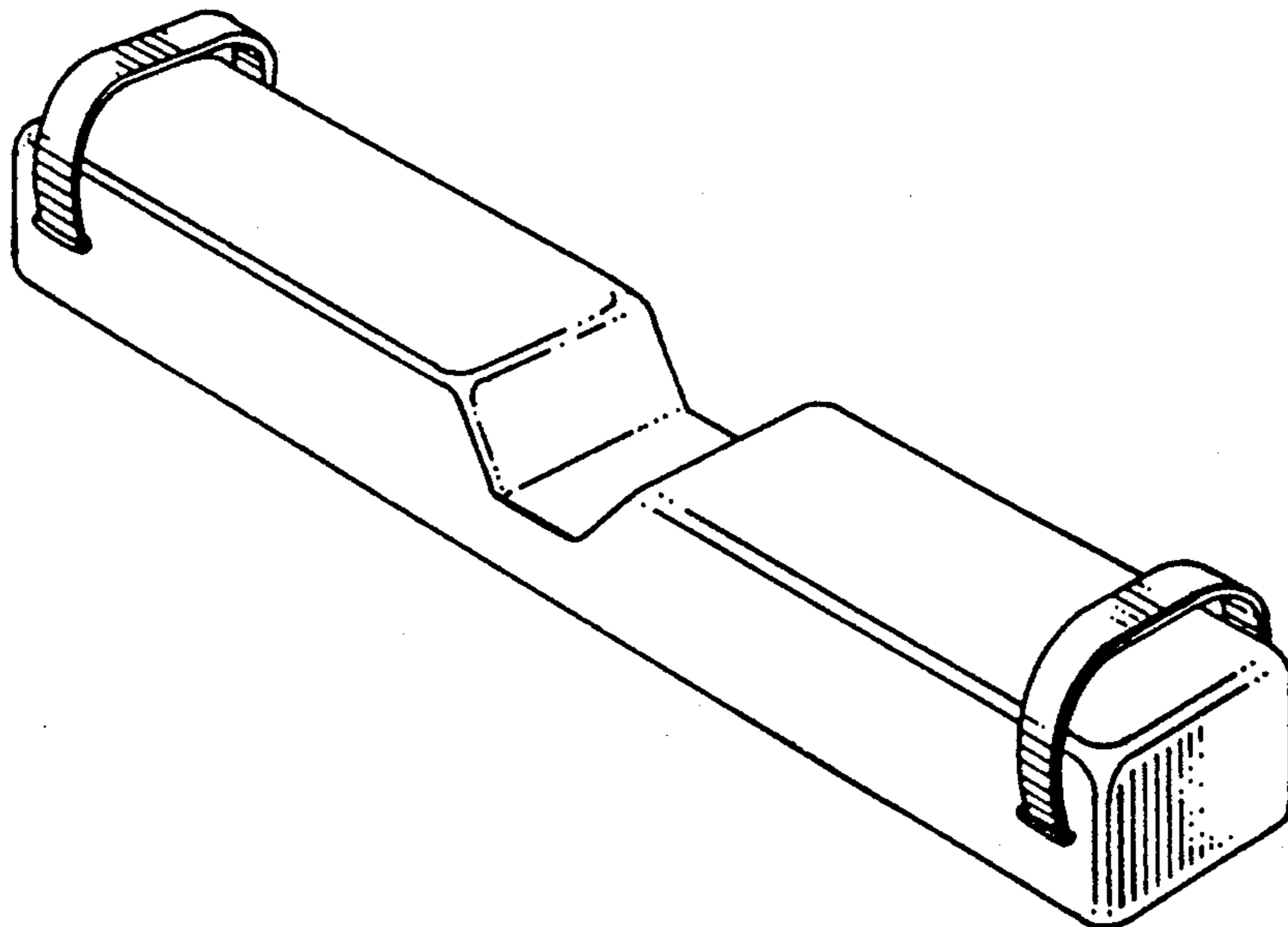
Primary Examiner—Kay H. Chin
Attorney, Agent, or Firm—Dennis T. Griggs

[57] CLAIM

The ornamental design for a water jogger, as shown and described.

DESCRIPTION

FIG. 1 is a perspective view of a water jogger, with straps retracted, showing my new design; FIG. 2 is a top plan view thereof; FIG. 3 is a left side elevational view thereof; FIG. 4 is a right side elevational view thereof; FIG. 5 is a front elevational view thereof; FIG. 6 is a rear elevational view thereof; and, FIG. 7 is a perspective view thereof showing straps extended.



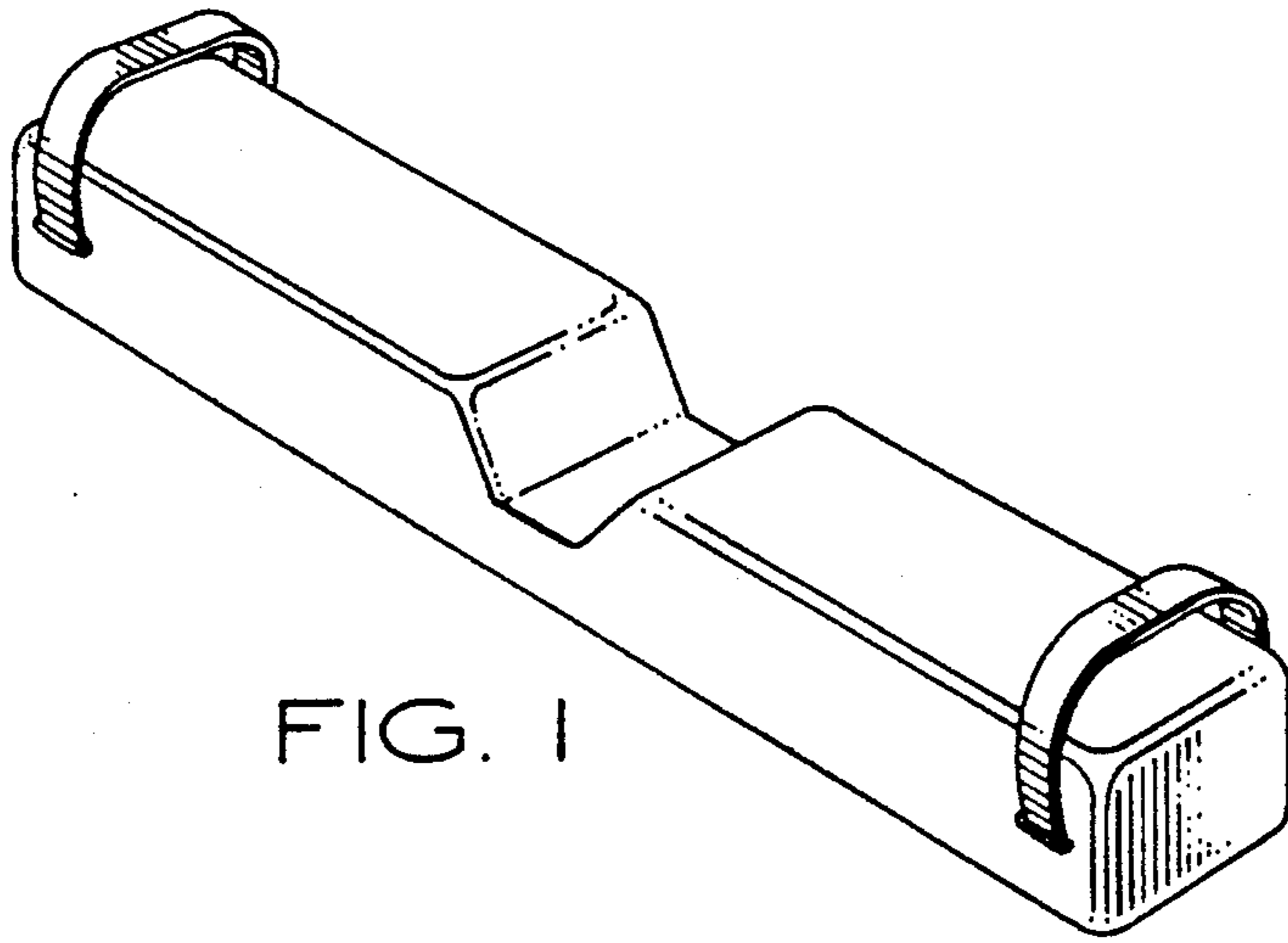


FIG. 1

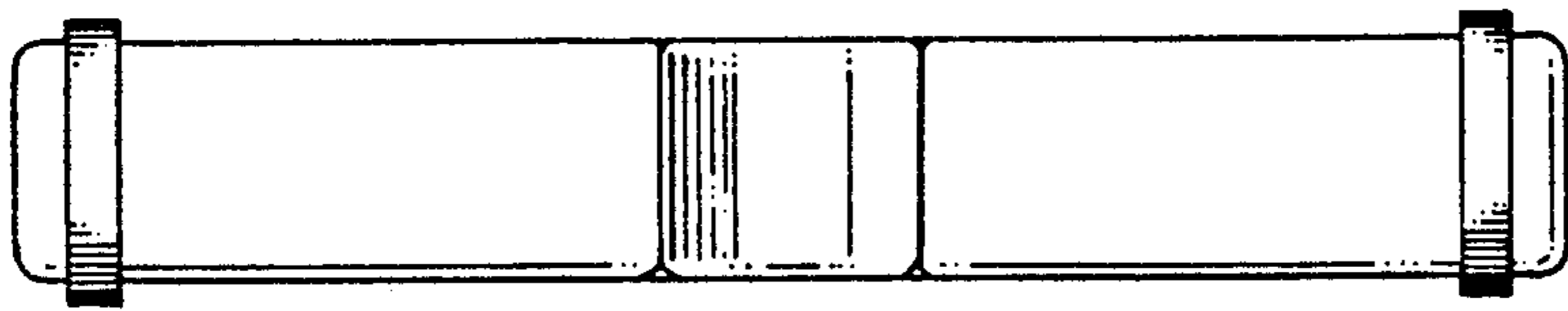


FIG. 2

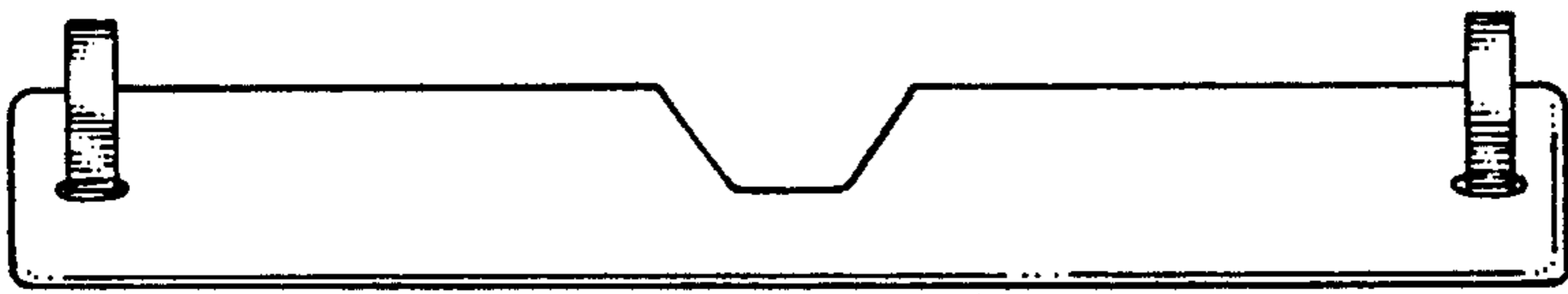


FIG. 3

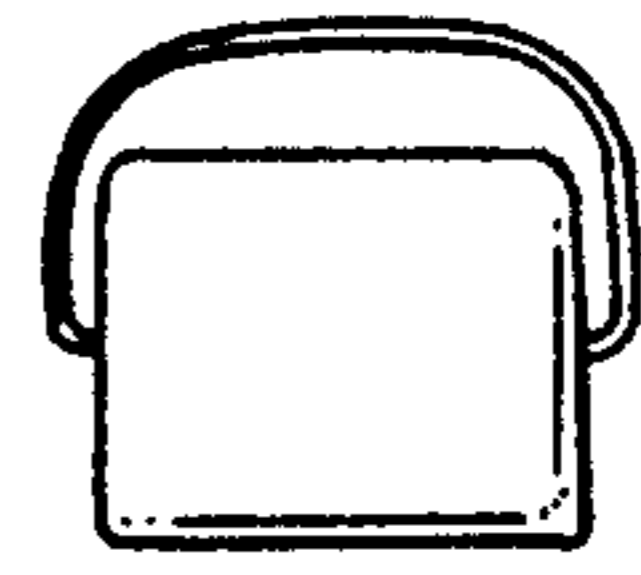


FIG. 5

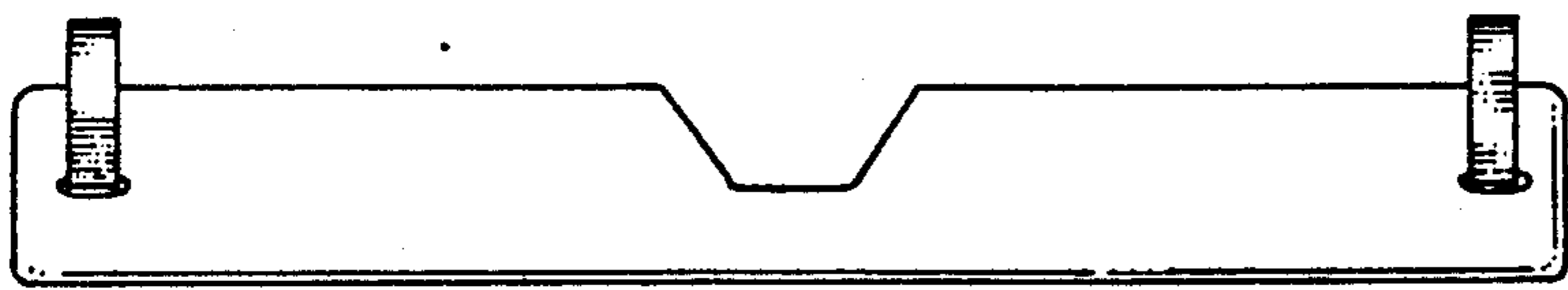


FIG. 4

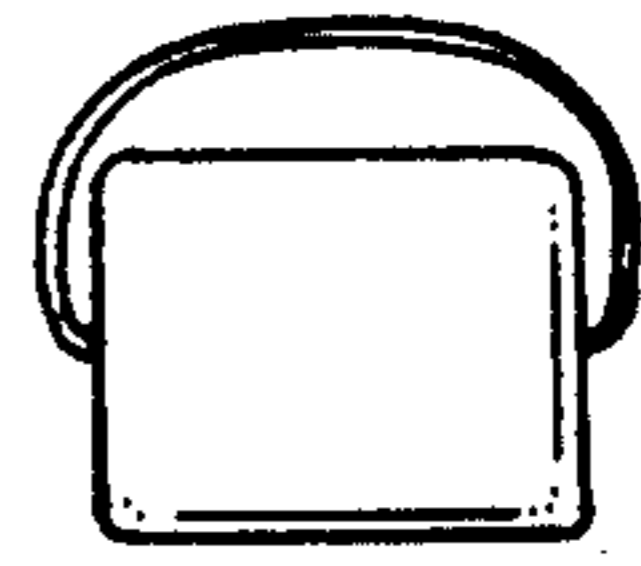


FIG. 6

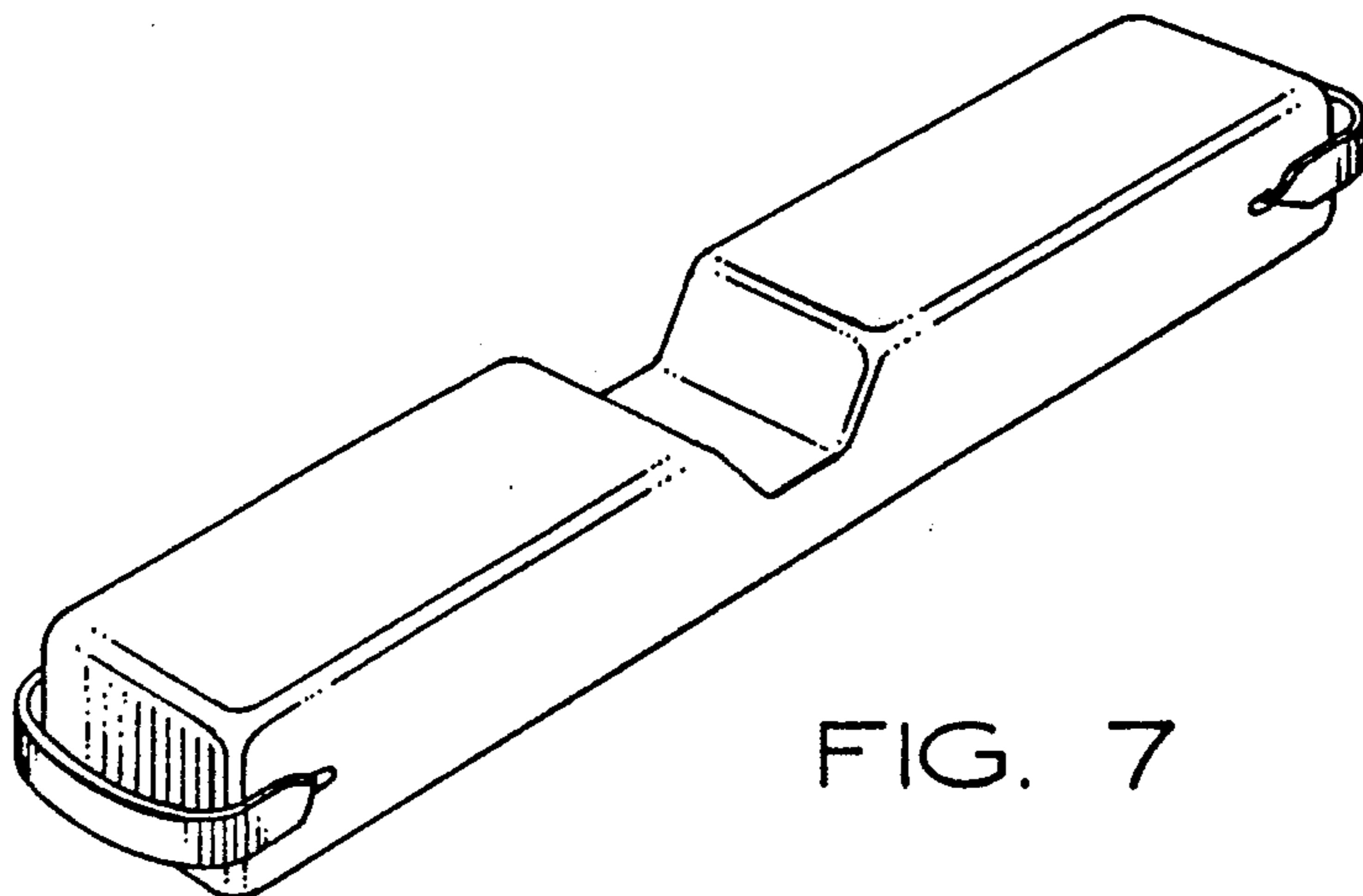


FIG. 7