

[54] PHYSICAL EXERCISER

[76] Inventor: Hwang Hur-Aoun, No. 18, Lane 4, Yuan Tan Road, Yuan Lin, Changhua, Taiwan

[\*\*] Term: 14 Years

[21] Appl. No.: 214,131

[22] Filed: Jun. 30, 1988

[52] U.S. Cl. .... D21/194; D21/191

[58] Field of Search ..... D21/191-199; 272/70.3, 73, 132, 143, 61, 67, 68, 112, 125, 126, 133, 137

[56] References Cited

U.S. PATENT DOCUMENTS

- D. 216,903 3/1970 Rubel ..... D21/194
- D. 251,309 3/1979 Nelson ..... D21/194
- D. 265,110 6/1982 Lafont ..... D21/195

- D. 280,228 8/1985 Good ..... D21/194
- D. 281,710 12/1985 Kirby ..... D21/194

Primary Examiner—Charles A. Rademaker  
Attorney, Agent, or Firm—Klein & Vibber

[57] CLAIM

The ornamental design for a physical exerciser, substantially as shown.

DESCRIPTION

FIG. 1 is a front elevational view of a physical exerciser, showing my new design;  
 FIG. 2 is a rear elevational view thereof;  
 FIG. 3 is a right side elevational view thereof;  
 FIG. 4 is a left side elevational view thereof;  
 FIG. 5 is a top plan view thereof;  
 FIG. 6 is a bottom plan view thereof;  
 FIG. 7 is a front perspective view thereof; and  
 FIG. 8 is another perspective view of the design shown in FIGS. 1-7 in an alternate position.

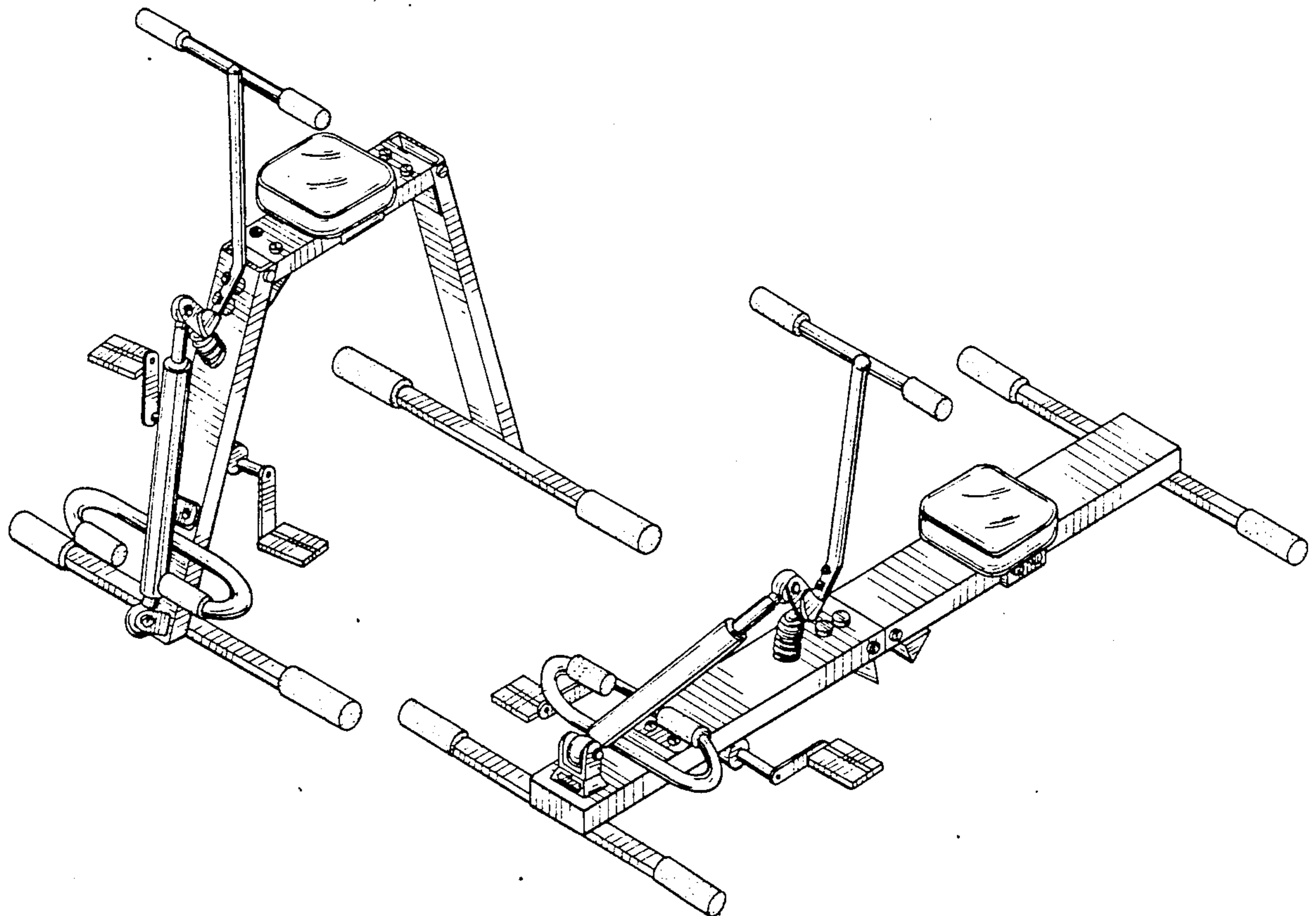


FIG. 2

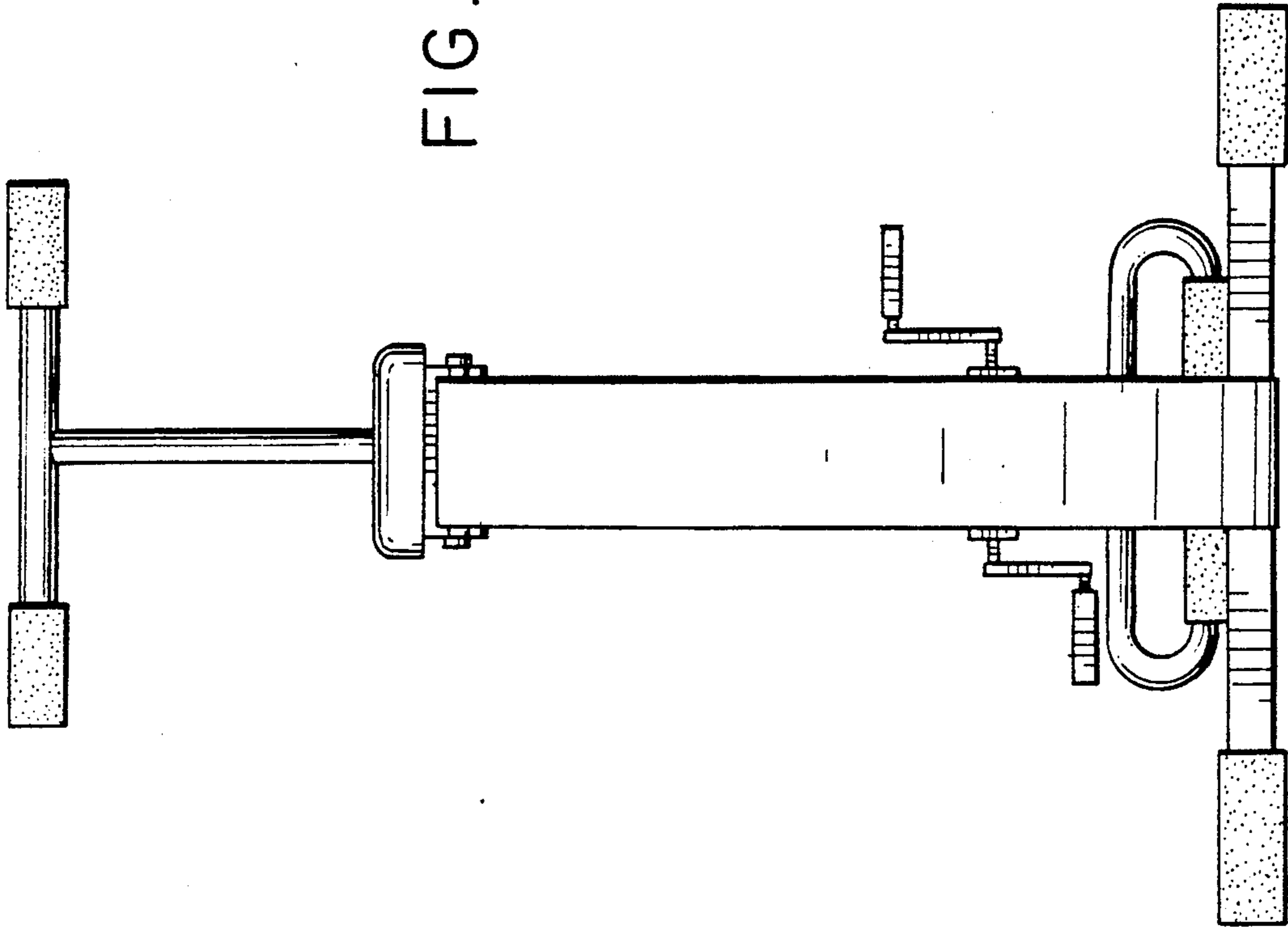


FIG. 1

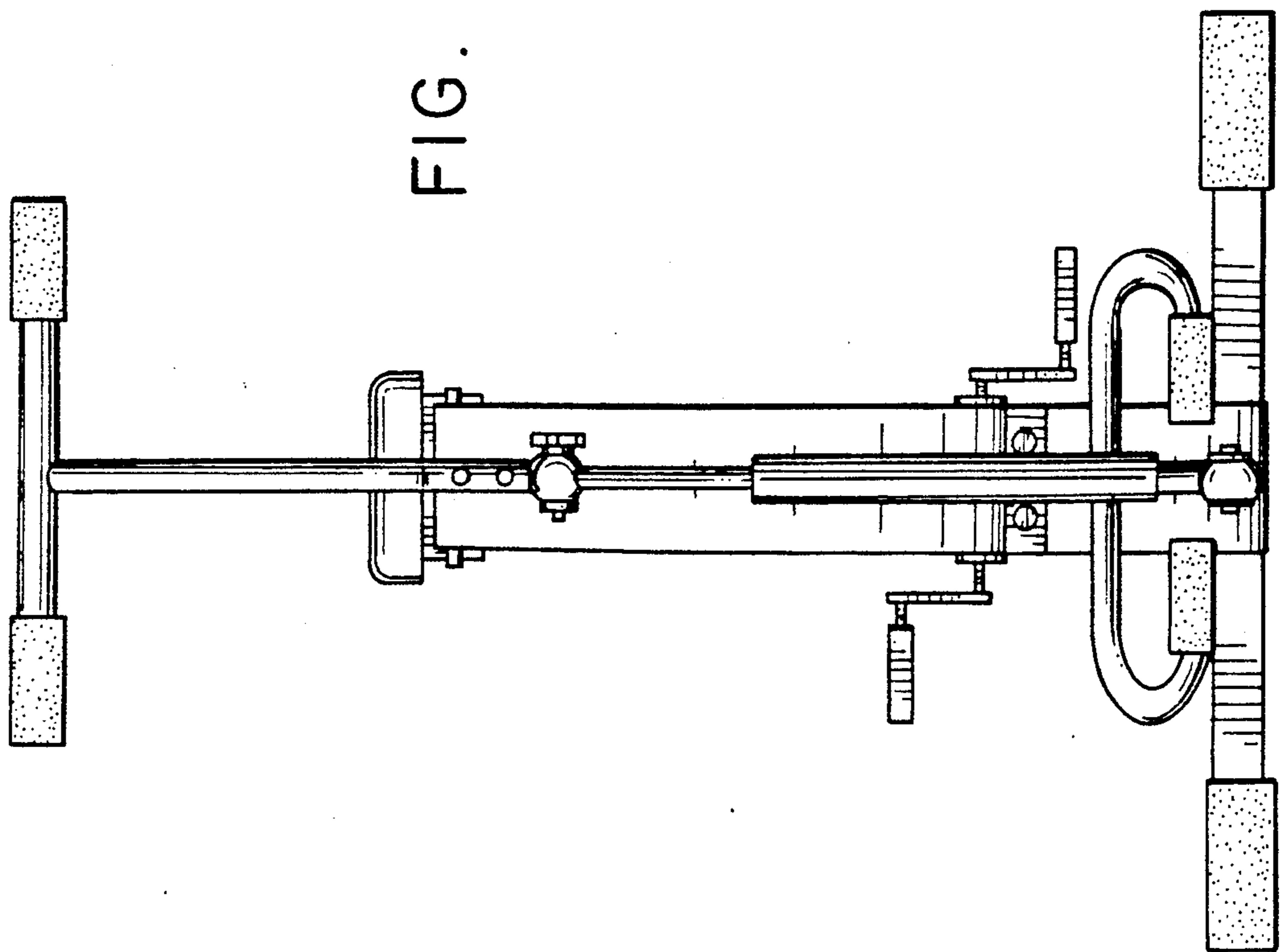


FIG. 4

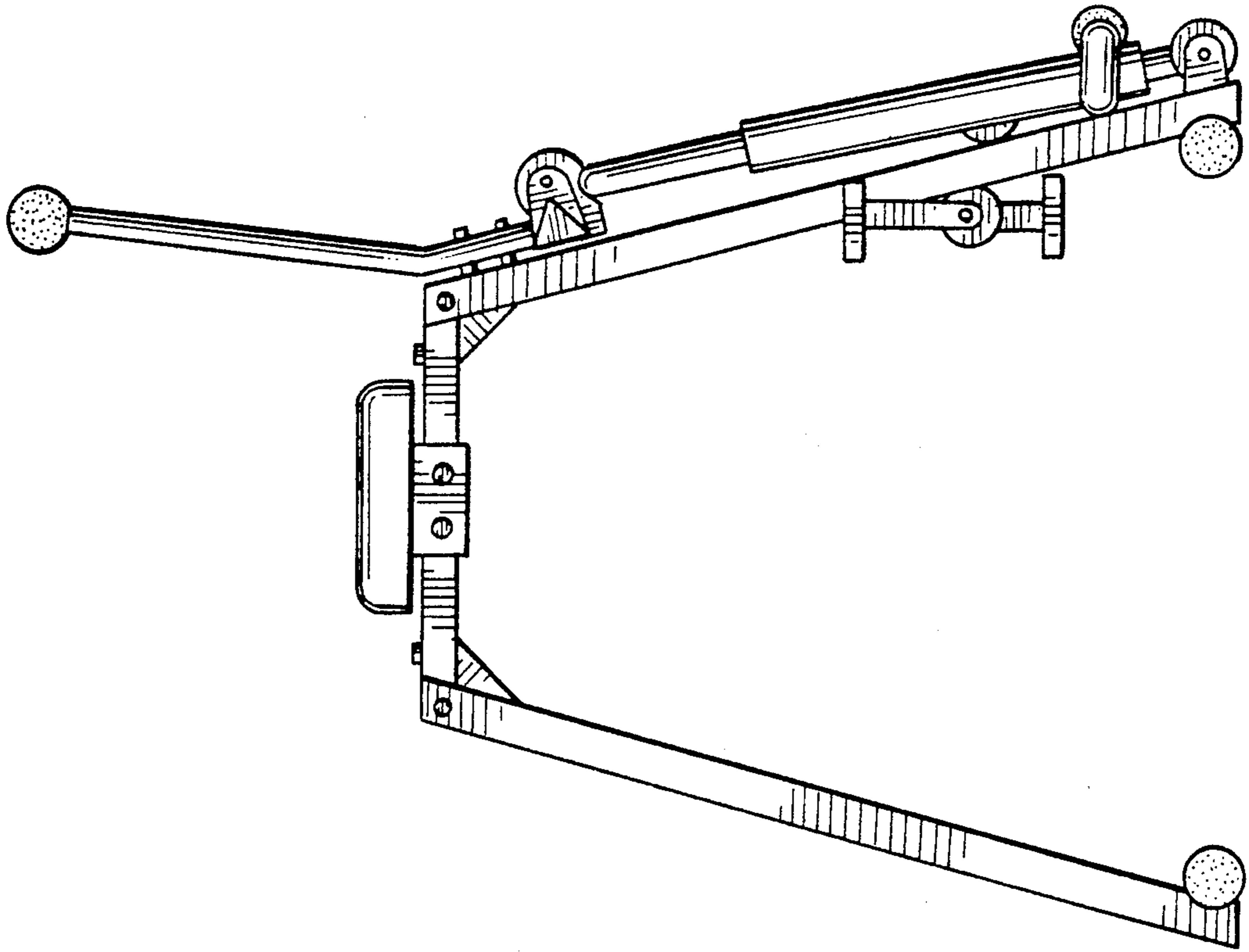


FIG. 3

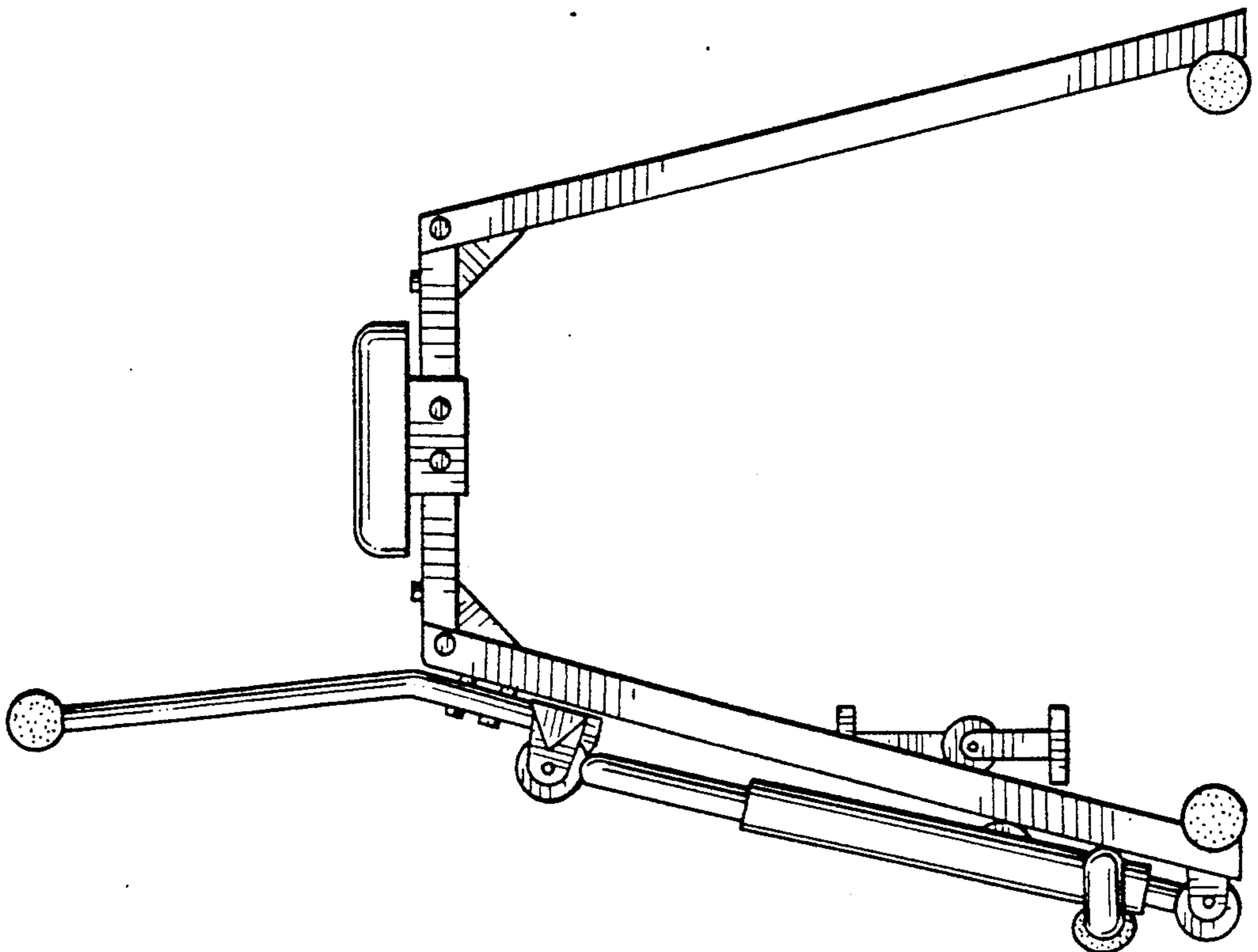


FIG. 6

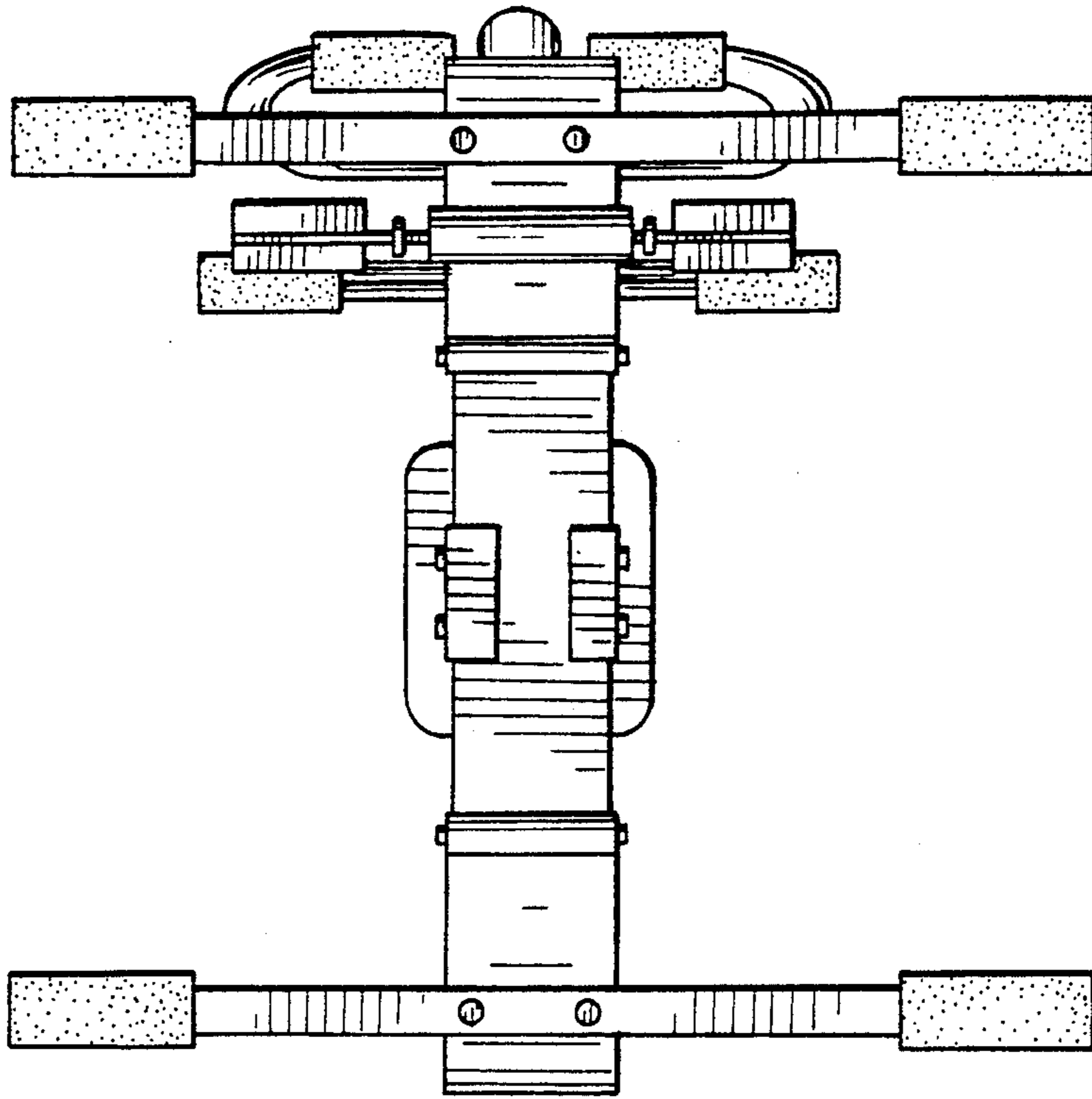


FIG. 5

