

[54] **COMPUTER PRINT-OUT SUPPORT OR SIMILAR ARTICLE**
 [75] **Inventor: C. Wayne Clyburn, Cincinnati, Ohio**
 [73] **Assignee: Hunt Holdings, Inc., Wilmington, Del.**
 [**] **Term: 14 Years**
 [21] **Appl. No.: 174,340**
 [22] **Filed: Mar. 28, 1988**
 [52] **U.S. Cl. D19/92; D18/22; D19/88; D19/91; D14/114**
 [58] **Field of Search D14/114; D18/22; D16/32; D19/75, 86, 88, 90, 91, 92, 99, 100; 206/555, 215; 248/441.1, 447.2, 452, 456, 459**

3,833,197 9/1974 Dyke 248/441.1
 4,369,948 1/1983 Krauss et al. 248/456 X
 4,575,037 3/1986 Hammar 248/441.1
 4,796,847 1/1989 Kayner 248/452 X
 4,834,242 5/1989 Selack et al. 206/555

OTHER PUBLICATIONS

Buddy Products Model 770 Data Printout Holder (no date) Support, see lower left corner—submitted by applicant.

Primary Examiner—Bruce W. Dunkins
Assistant Examiner—Martha Thompson
Attorney, Agent, or Firm—Synnestvedt & Lechner

[56] **References Cited**
U.S. PATENT DOCUMENTS

D. 228,239 8/1973 Bryce D19/83
 D. 246,373 11/1977 Crandell et al. D19/92 X
 D. 289,182 4/1987 Weinberg D19/92
 D. 305,035 12/1989 Yon et al. D18/22
 649,293 5/1900 French 248/456
 2,224,530 12/1940 Weinstein 248/456
 3,021,637 2/1962 Huffman 248/447.2
 3,380,701 4/1968 Byars 248/459

[57] **CLAIM**
 The ornamental design for the computer print-out support or similar article, as shown and described.

DESCRIPTION

FIG. 1 is a front perspective view of a computer print-out support or similar article showing my new design; FIG. 2 is a left side elevational view on an enlarged scale, the right side being a mirror image thereof; FIG. 3 is a front elevational view of FIG. 2; FIG. 4 is a top plan view of FIG. 2; FIG. 5 is a bottom plan view of FIG. 2; and FIG. 6 is a rear elevational view of FIG. 2.

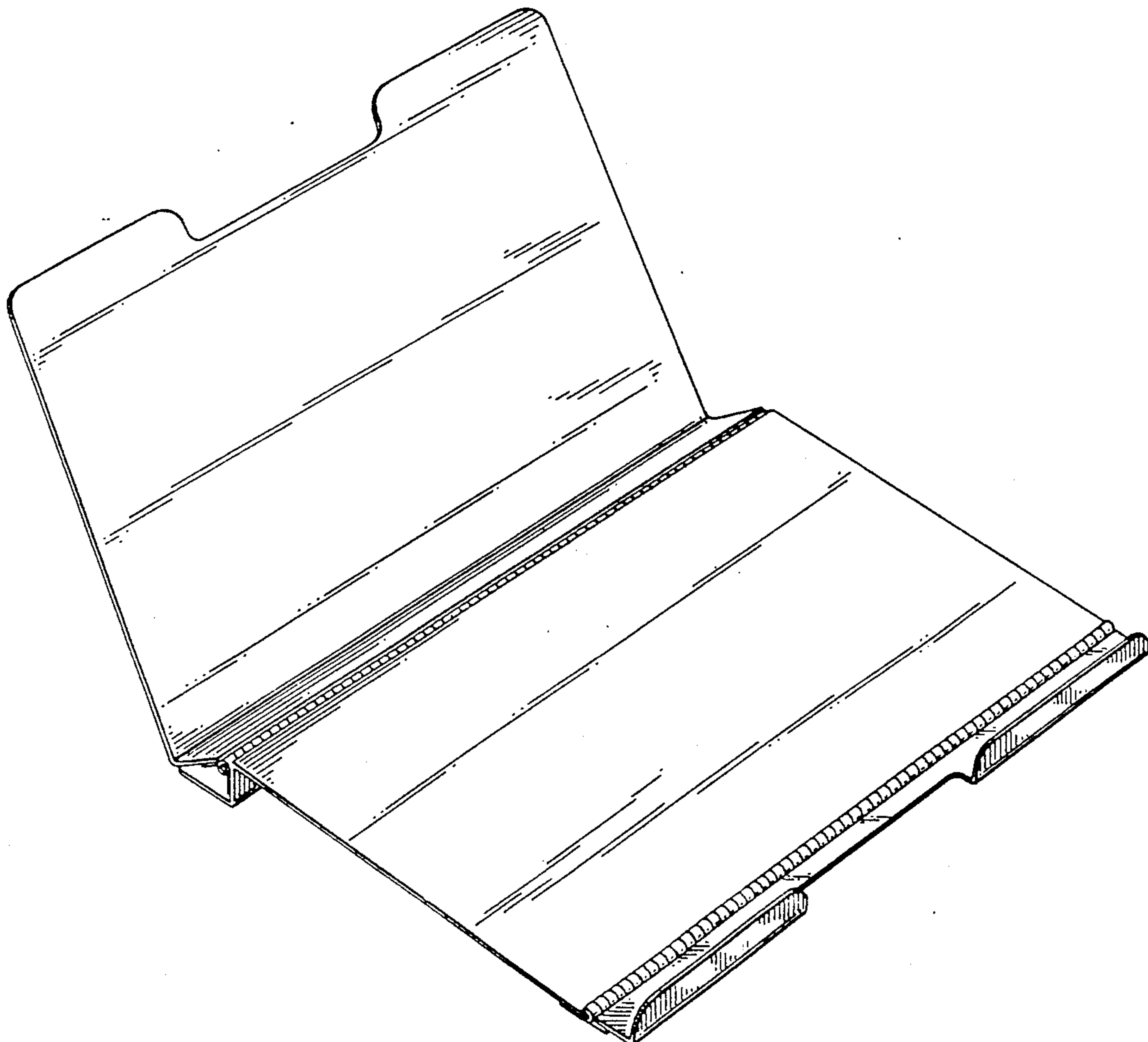


Fig. 1.

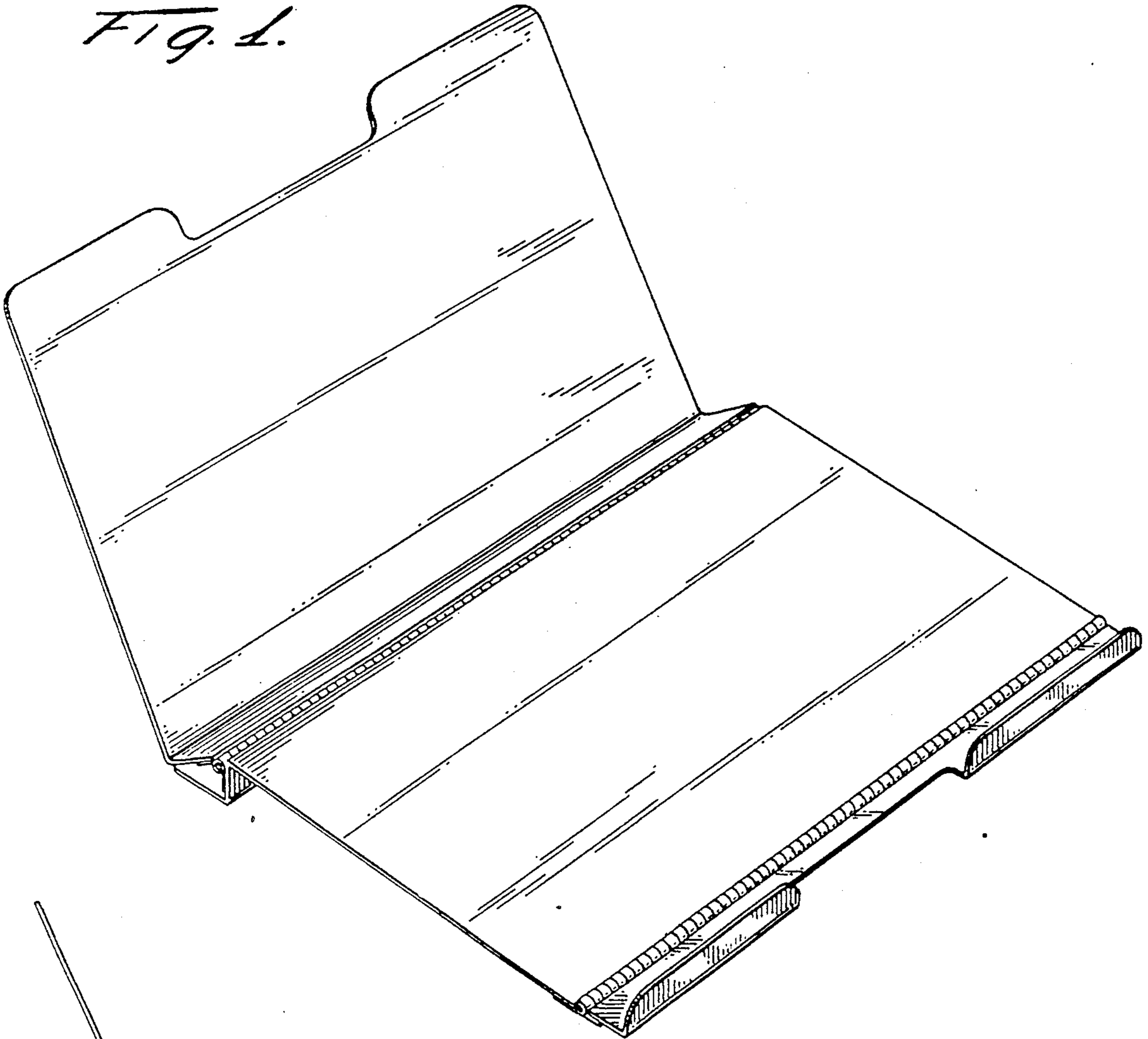


Fig. 2.

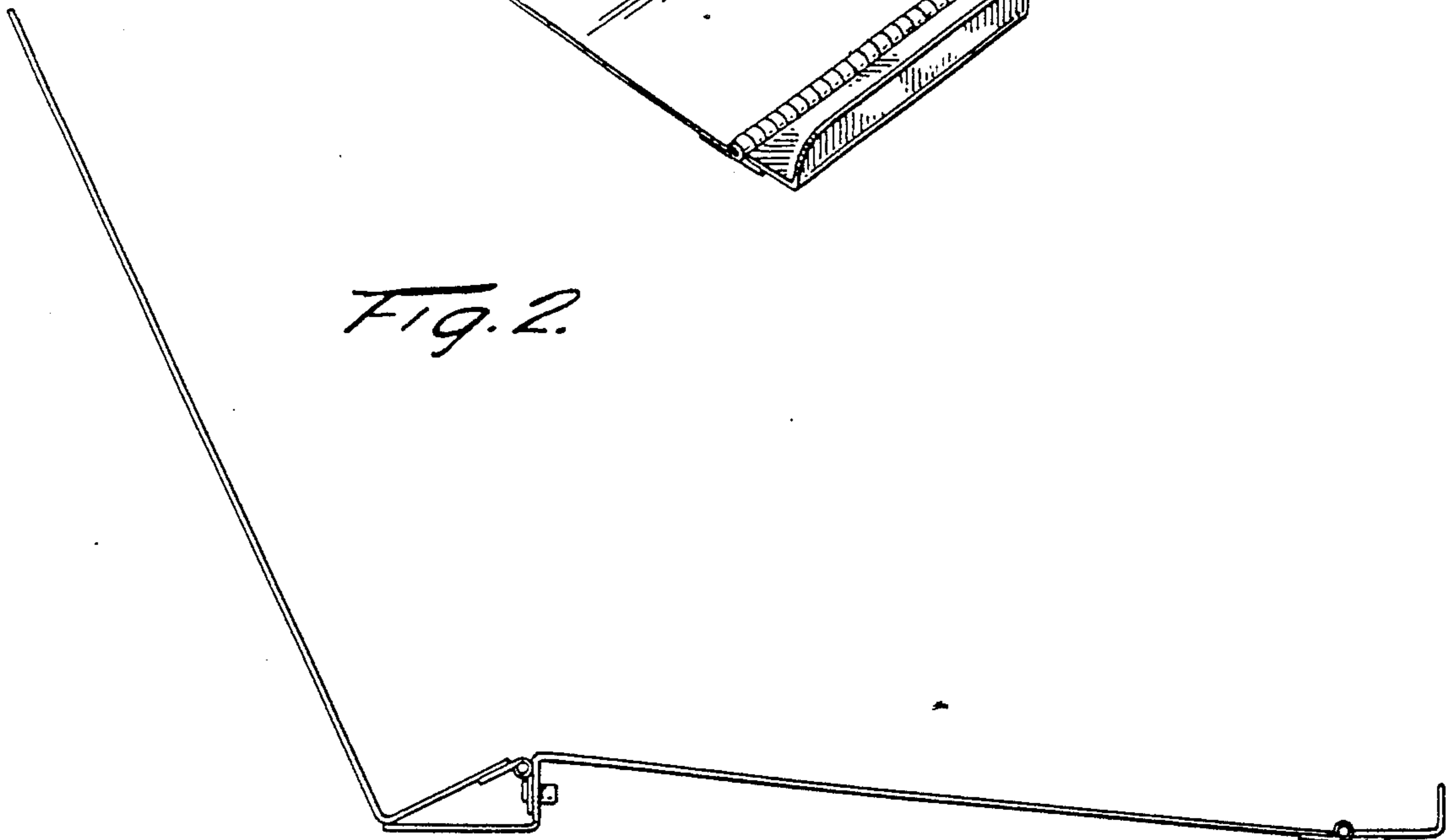


Fig. 4.

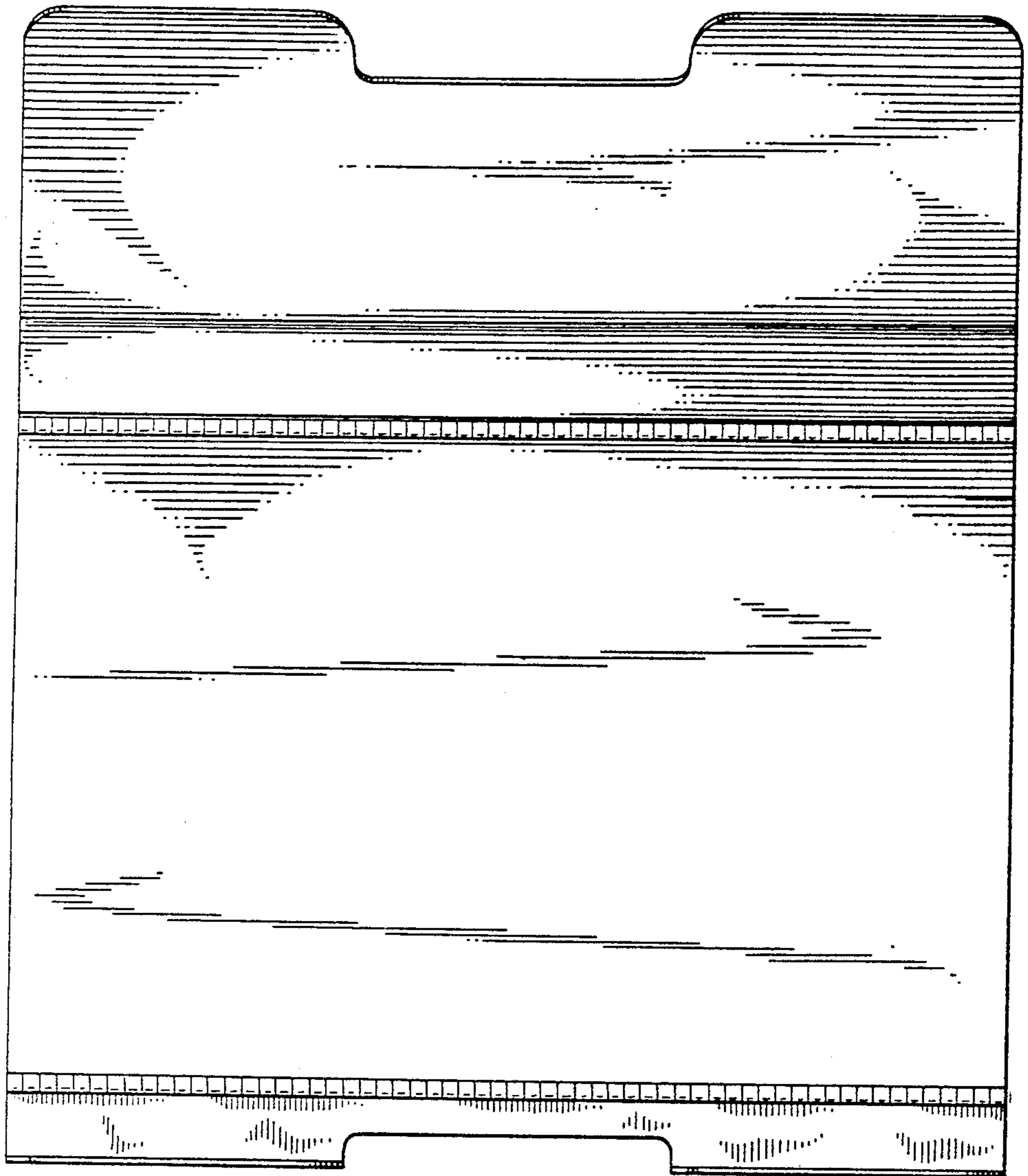


Fig. 3.

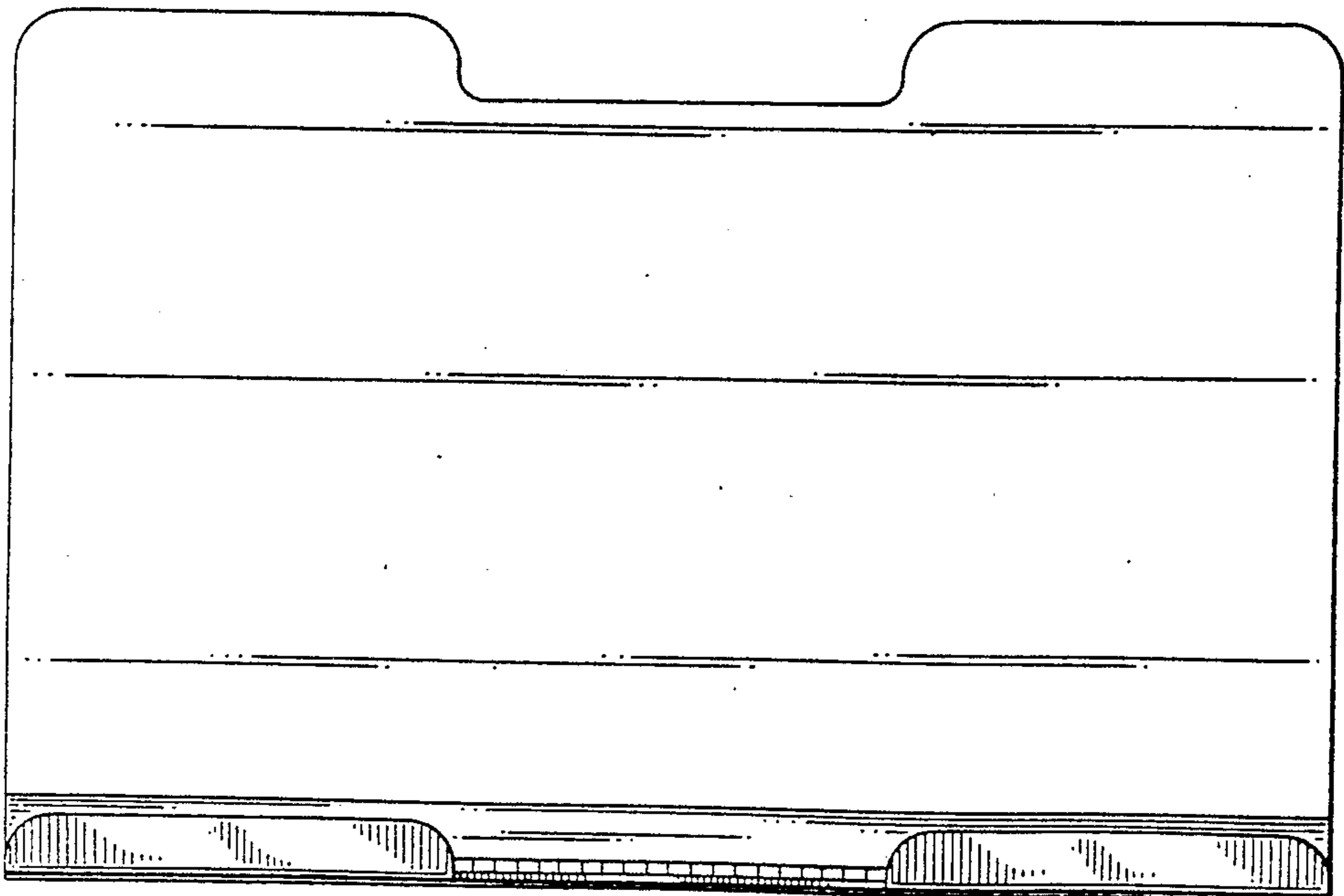


Fig. 5.

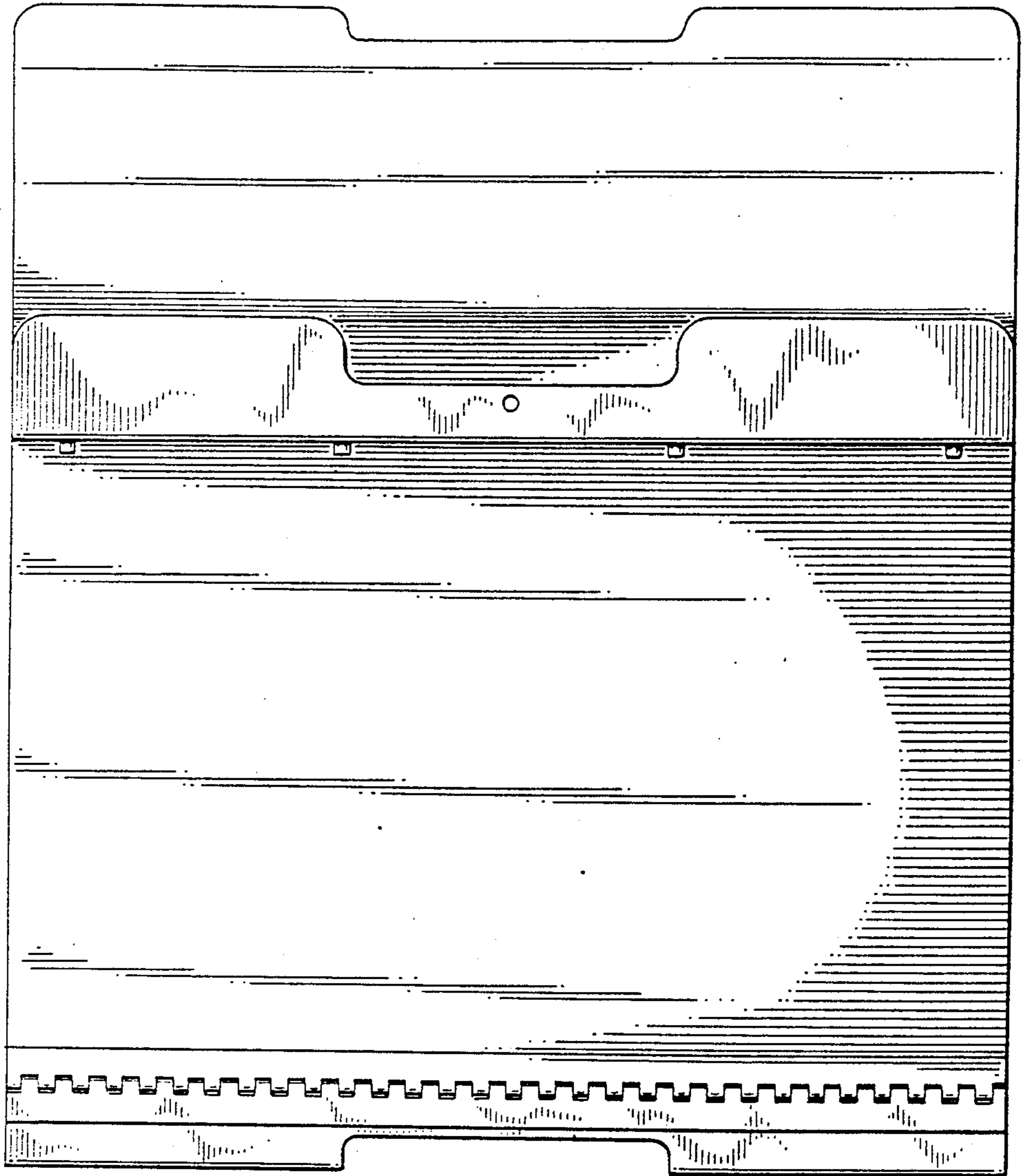


Fig. 6.

