

[54] TAPE DISPENSER

2,582,979 1/1952 Fritzinger ..... D19/69 X

[76] Inventor: Kiu C. Au, DD215, Lot 939, Kam Po Court 8D, Sai Kung, New Territories, Hong Kong

OTHER PUBLICATIONS

Hong Kong Enterprise, May 1985, p. 244, see "Auto Tape Cutter & Sharpener", center of page—Desk Copy.

[\*\*] Term: 14 Years

Primary Examiner—Bruce W. Dunkins  
Assistant Examiner—Martha Thompson  
Attorney, Agent, or Firm—Collard, Roe & Galgano

[21] Appl. No.: 211,665

[22] Filed: Jun. 27, 1988

[30] Foreign Application Priority Data

[57] CLAIM

Jan. 12, 1988 [GB] United Kingdom ..... 1047650

The ornamental design for a tape dispenser, as shown and described.

[52] U.S. Cl. .... D19/69; D19/67

[58] Field of Search ..... D19/67, 68, 69; 225/6, 225/19, 35, 44, 45, 56, 65, 77, 89; 312/39

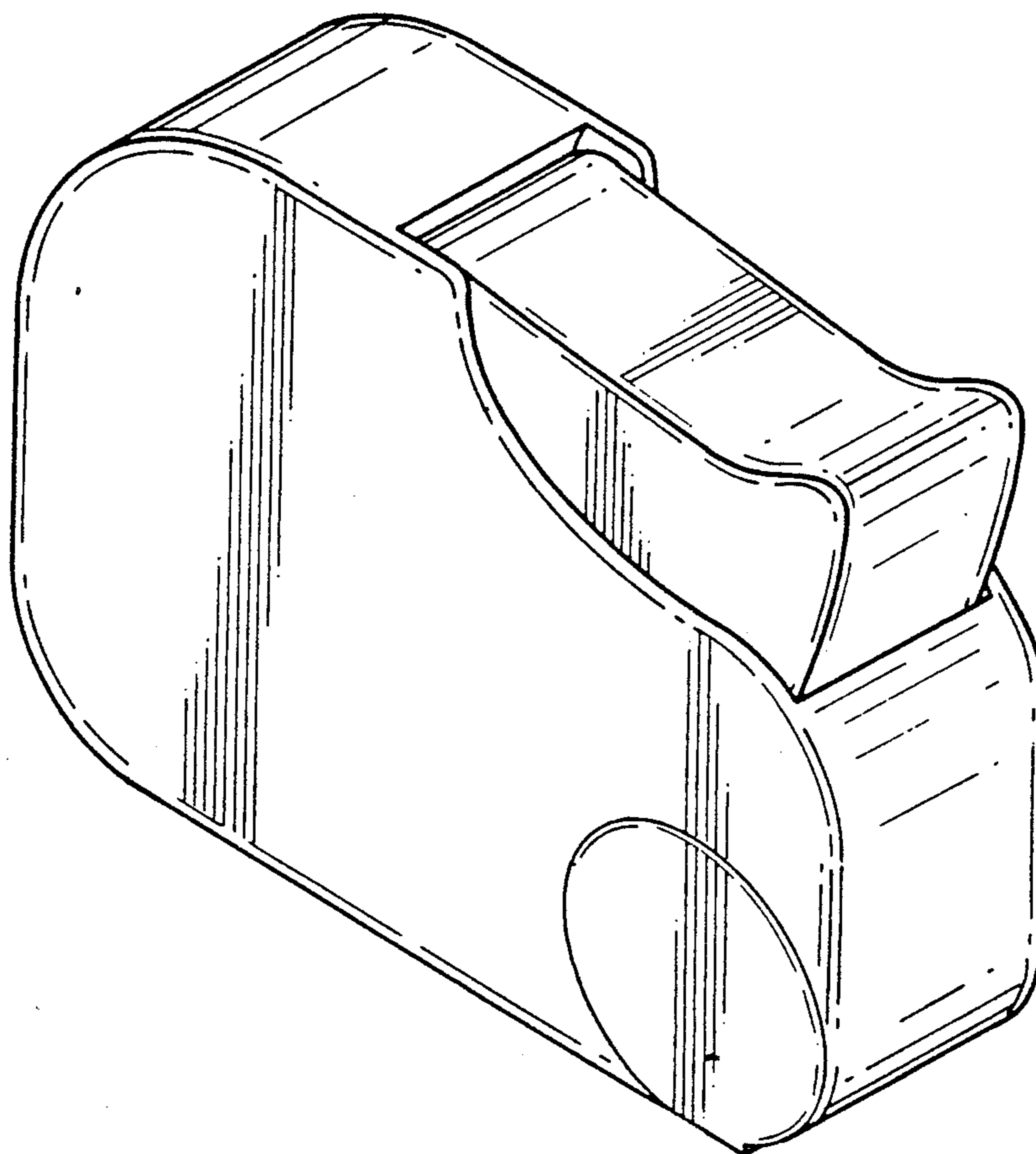
DESCRIPTION

[56] References Cited

U.S. PATENT DOCUMENTS

- D. 53,938 10/1919 Shanklin ..... D19/67 X
- D. 214,405 6/1969 Fleming ..... D19/69
- D. 218,861 9/1970 Castelli et al. .... D19/69
- D. 300,151 3/1989 Lin ..... D19/67
- D. 310,687 9/1990 Berracasa ..... D19/69

FIG. 1 is a front elevational view of a tape dispenser, showing my new design;  
FIG. 2 is a rear elevational view;  
FIG. 3 is a left side elevational view;  
FIG. 4 is a right side elevational view;  
FIG. 5 is a top plan view;  
FIG. 6 is a bottom plan view; and  
FIG. 7 is a perspective view thereof.



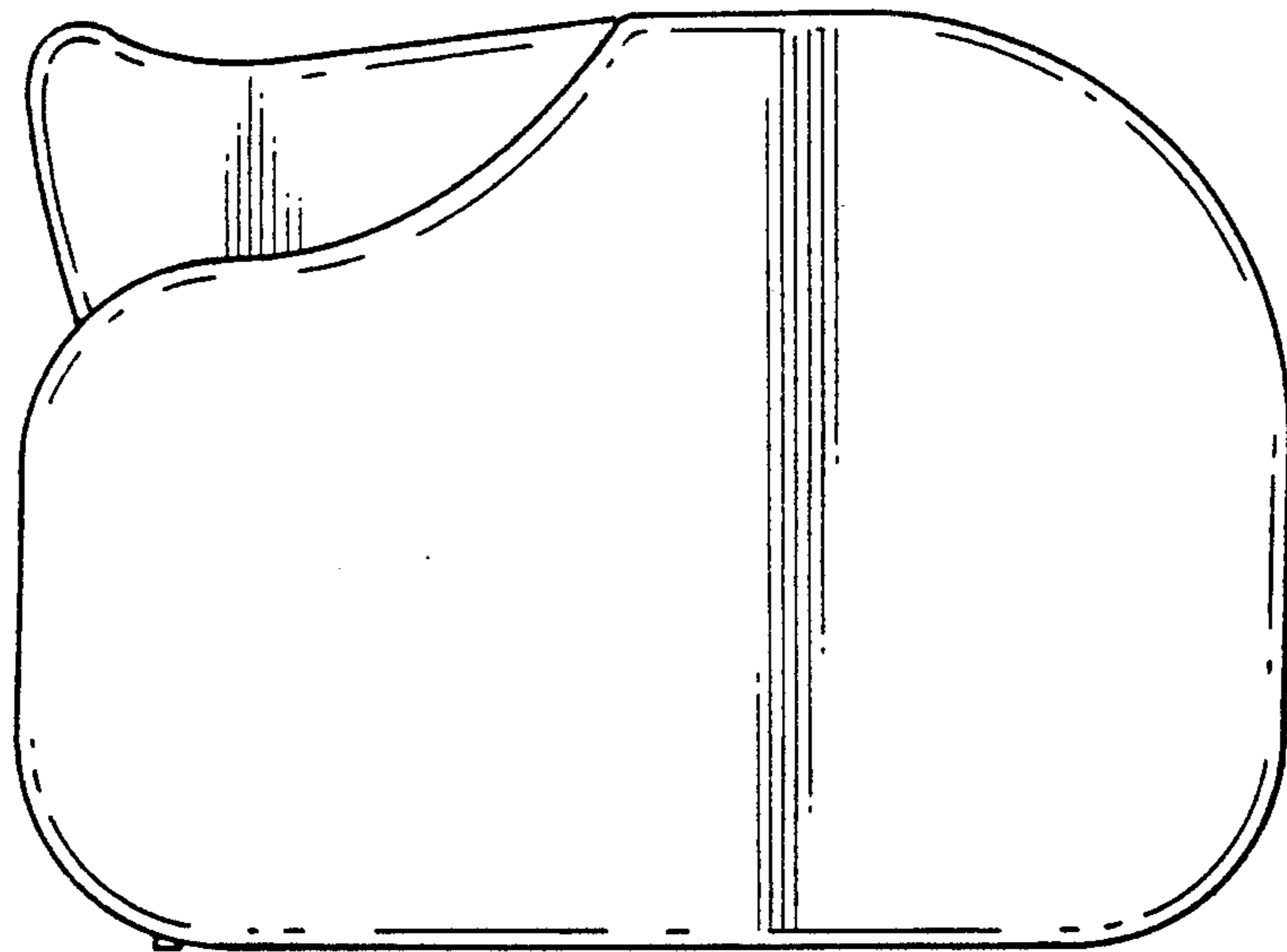


FIG. 1

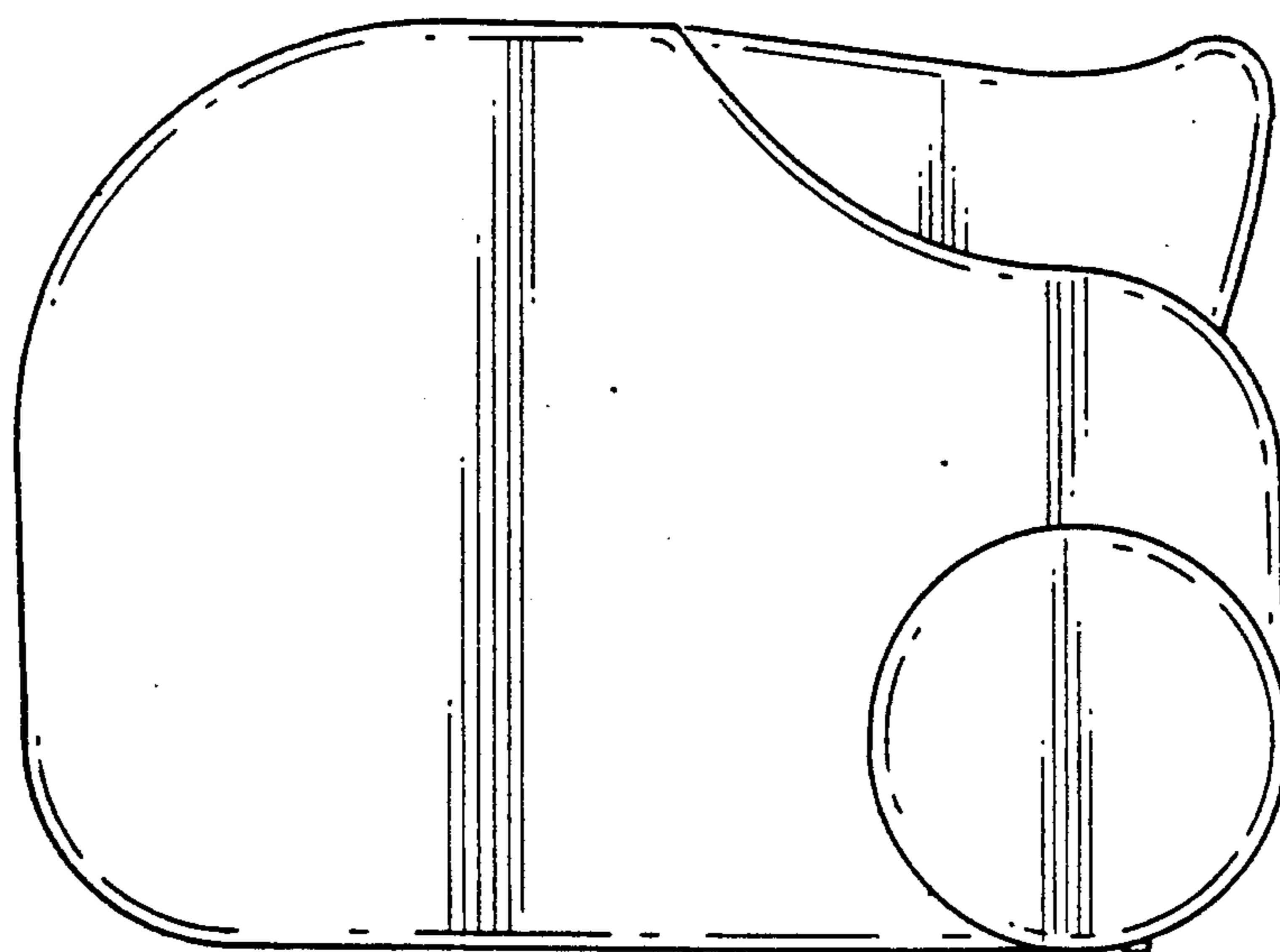
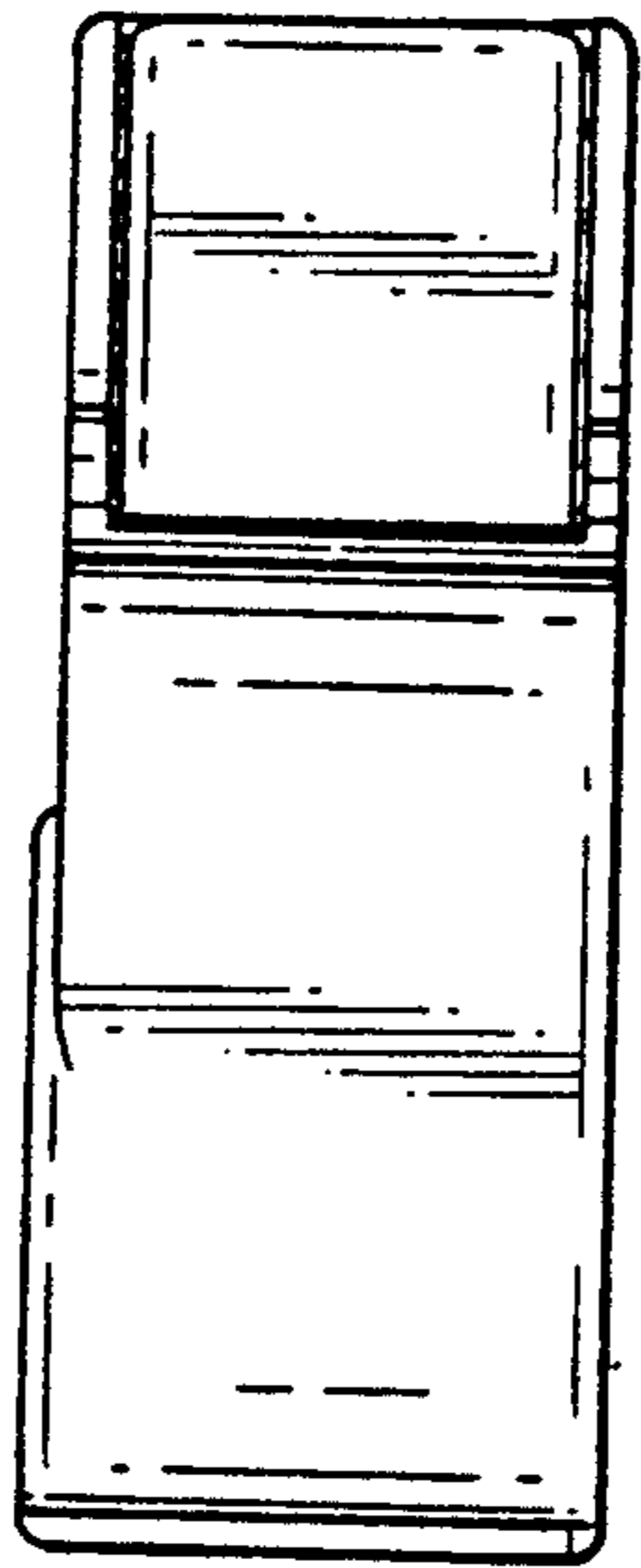


FIG. 2



*FIG. 3*

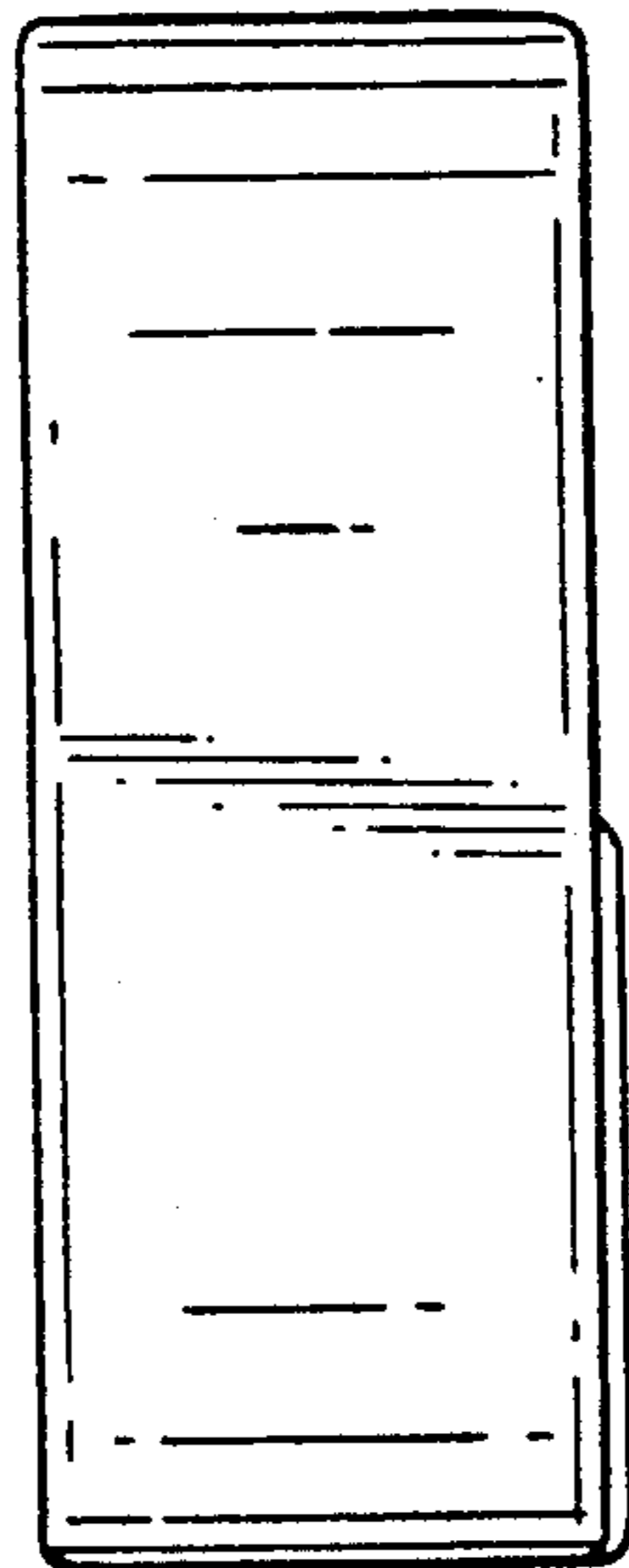


FIG. 4

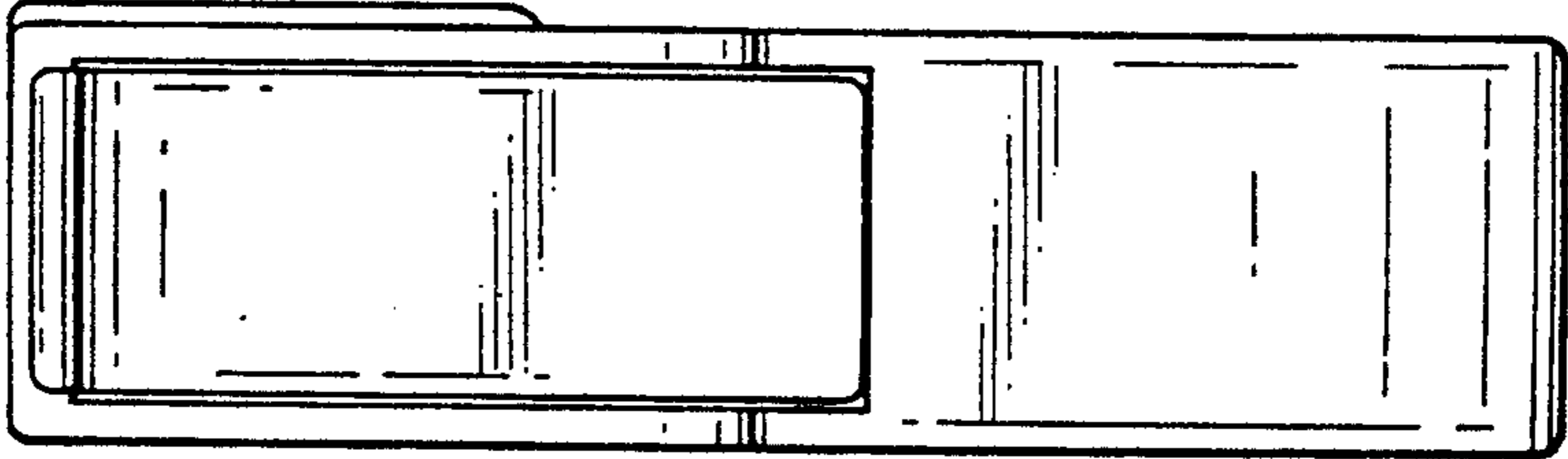


FIG. 5

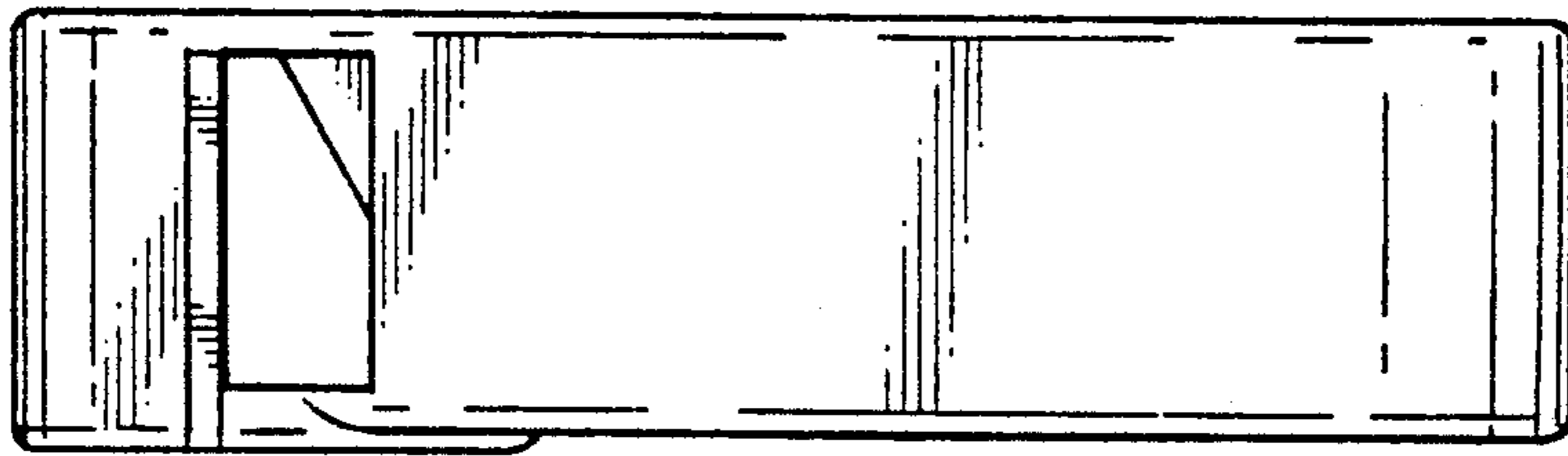


FIG. 6

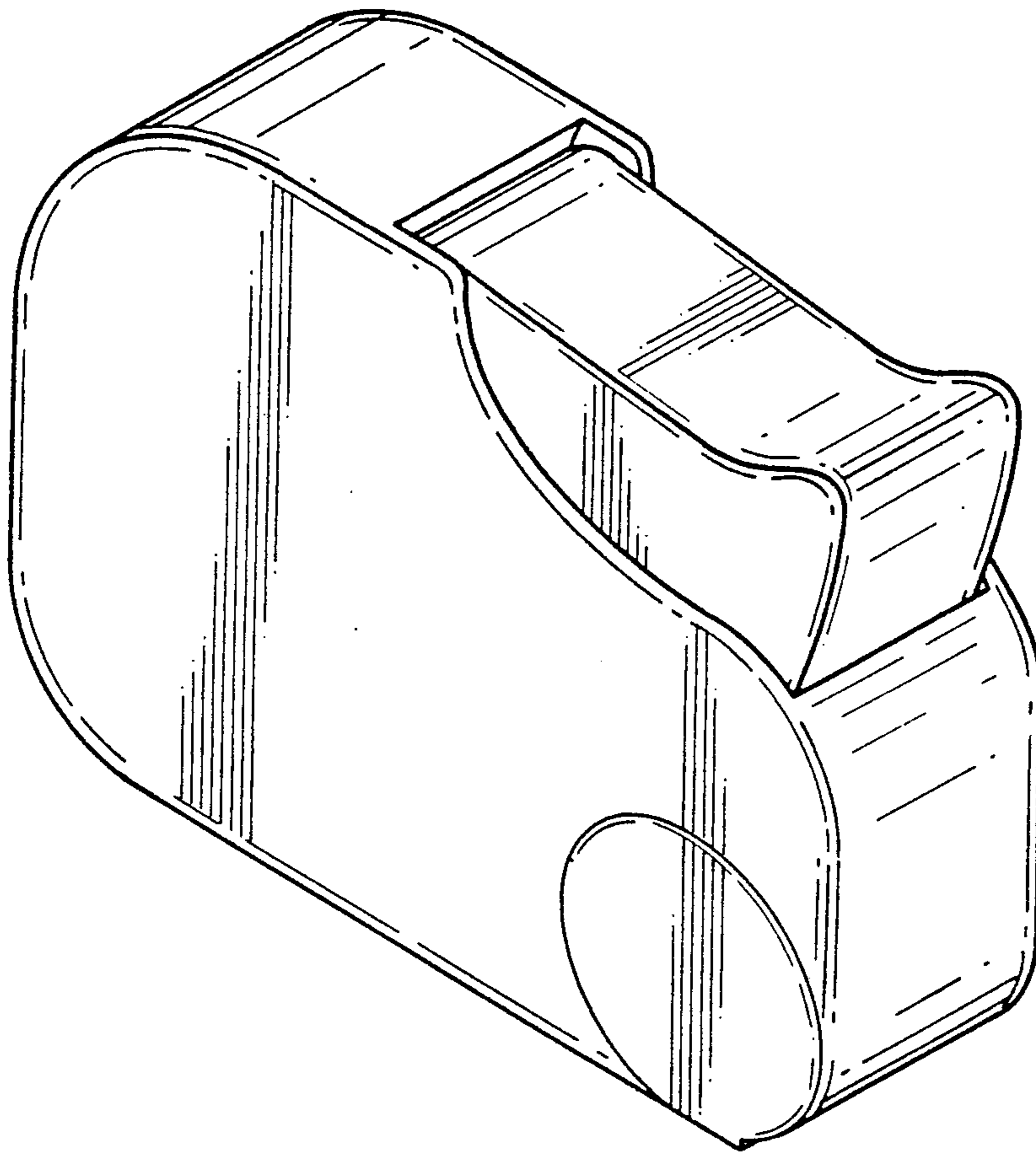


FIG. 7