

[54] VOTING MACHINE

[75] Inventors: James H. Bleck, Chelmsford; Scott H. Wakefield, Andover; Stephen A. Wagner, West Newton, all of Mass.

[73] Assignee: Sequoia Pacific Systems Corporation, Jamestown, N.Y.

[**] Term: 14 Years

[21] Appl. No.: 238,933

[22] Filed: Aug. 31, 1988

[52] U.S. Cl. D18/6

[58] Field of Search D20/1; 235/52, 50 A, 235/50 B; 312/258, 259, 233, 262, 239; D18/6, 7, 8, 9, 10, 11; D6/421, 429; 434/306

[56] References Cited

U.S. PATENT DOCUMENTS

D. 221,386 8/1971 Babbs D6/429

D. 282,375 1/1986 Dolson D18/6
3,333,766 8/1967 Crossland et al. 235/50 A
3,620,587 11/1971 Ahmann 312/258 X
4,445,731 5/1984 Ahmann 235/50 X
4,510,378 4/1985 Dolson 312/258 X

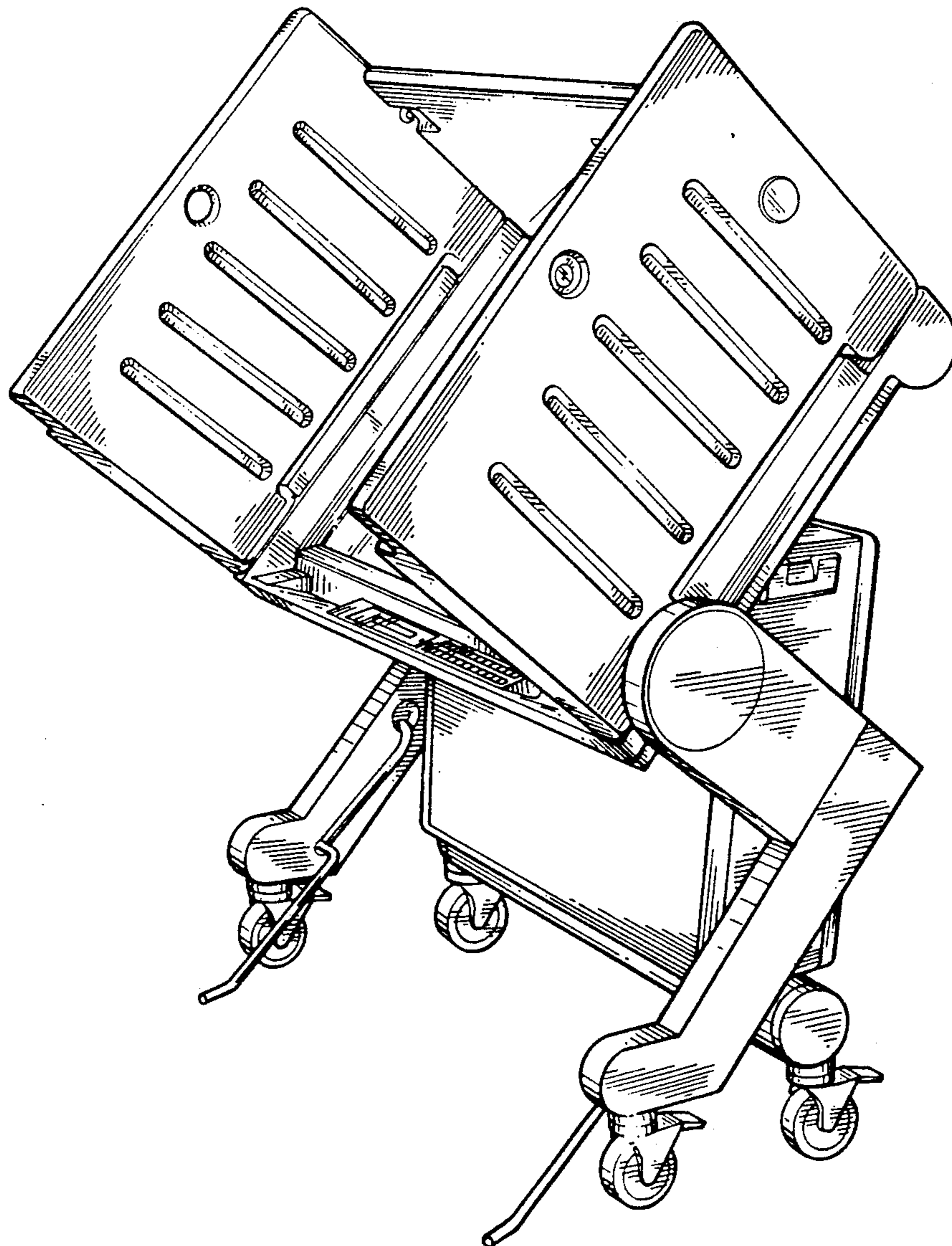
Primary Examiner—A. Hugo Word
Assistant Examiner—Paula Allen
Attorney, Agent, or Firm—Bromberg & Sunstein

[57] CLAIM

The ornamental design for a voting machine, as shown.

DESCRIPTION

FIG. 1 is a front perspective view of a voting machine showing our new design in an open position; FIG. 2 is a front elevational view thereof in an open position; FIG. 3 is a rear perspective view thereof in an open position; and FIG. 4 is a front perspective view thereof in the closed position.



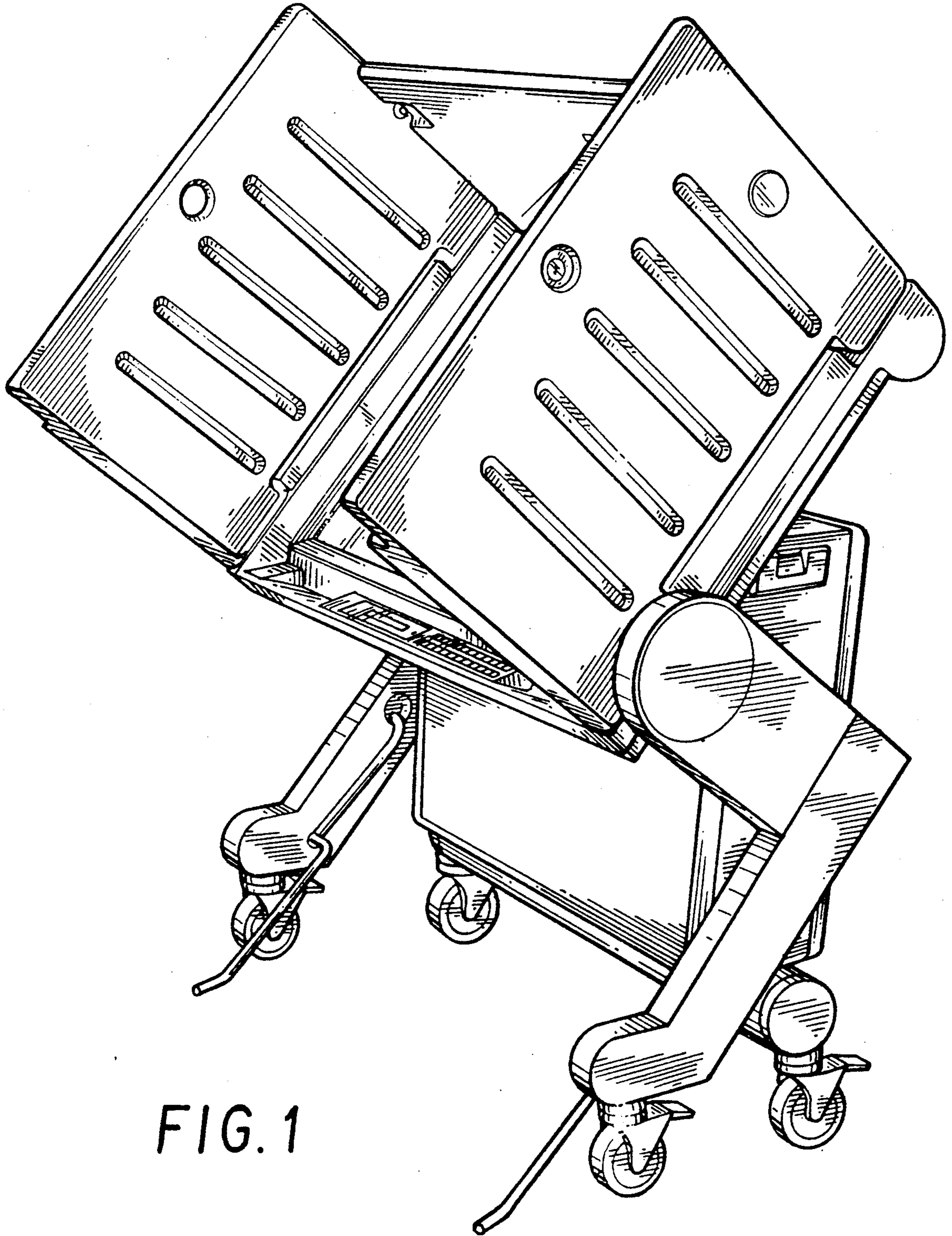


FIG. 1

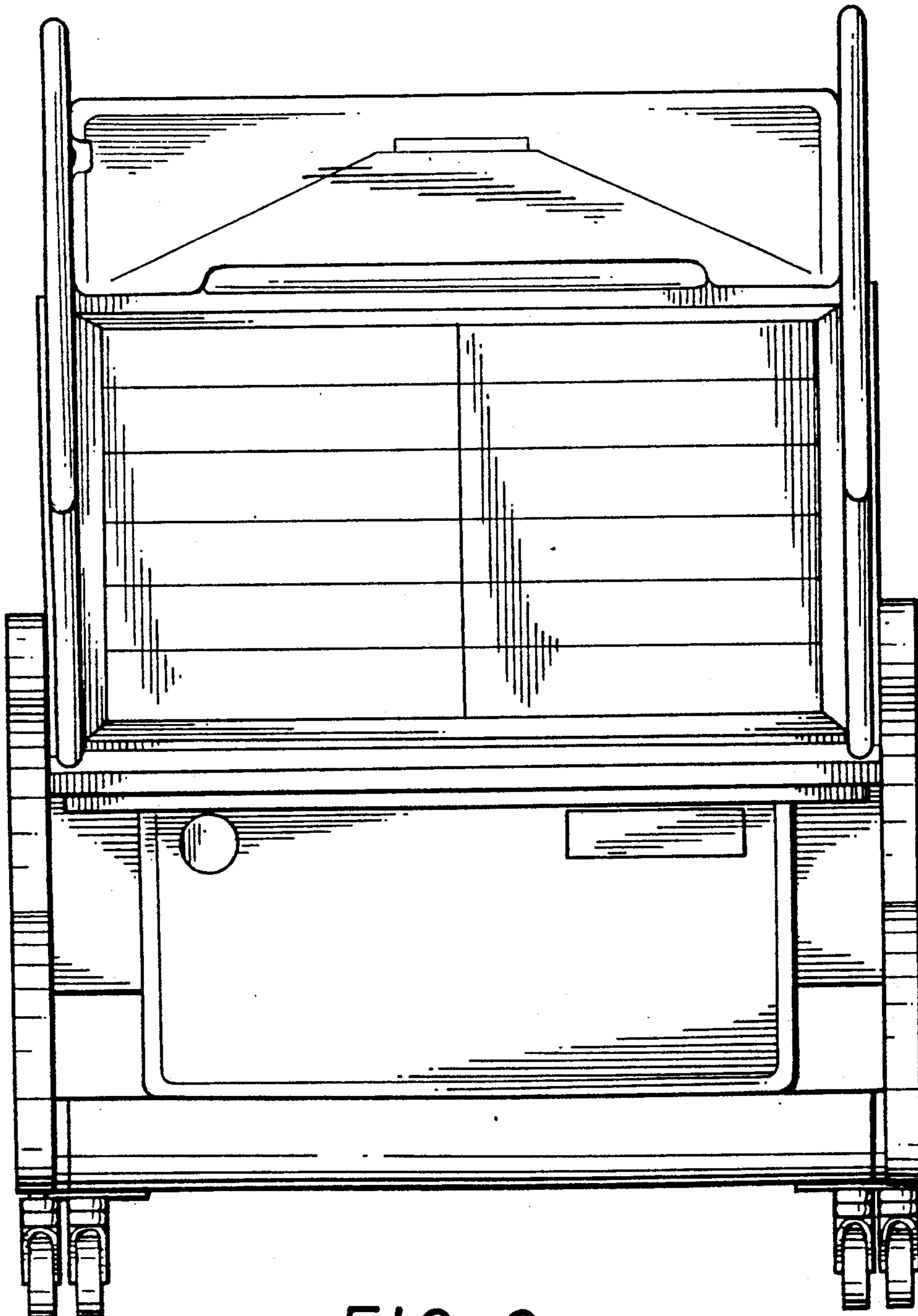


FIG. 2

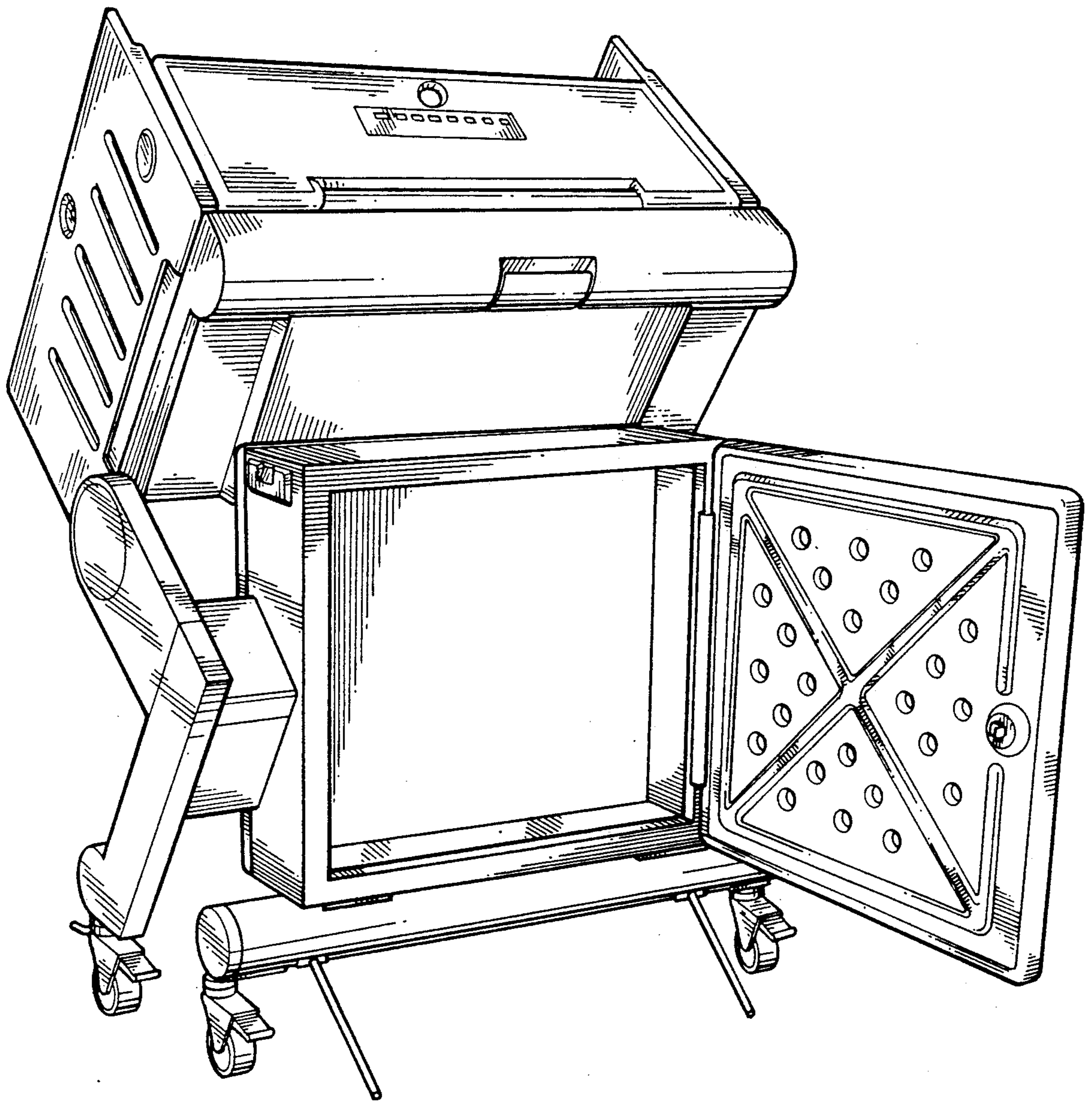


FIG. 3

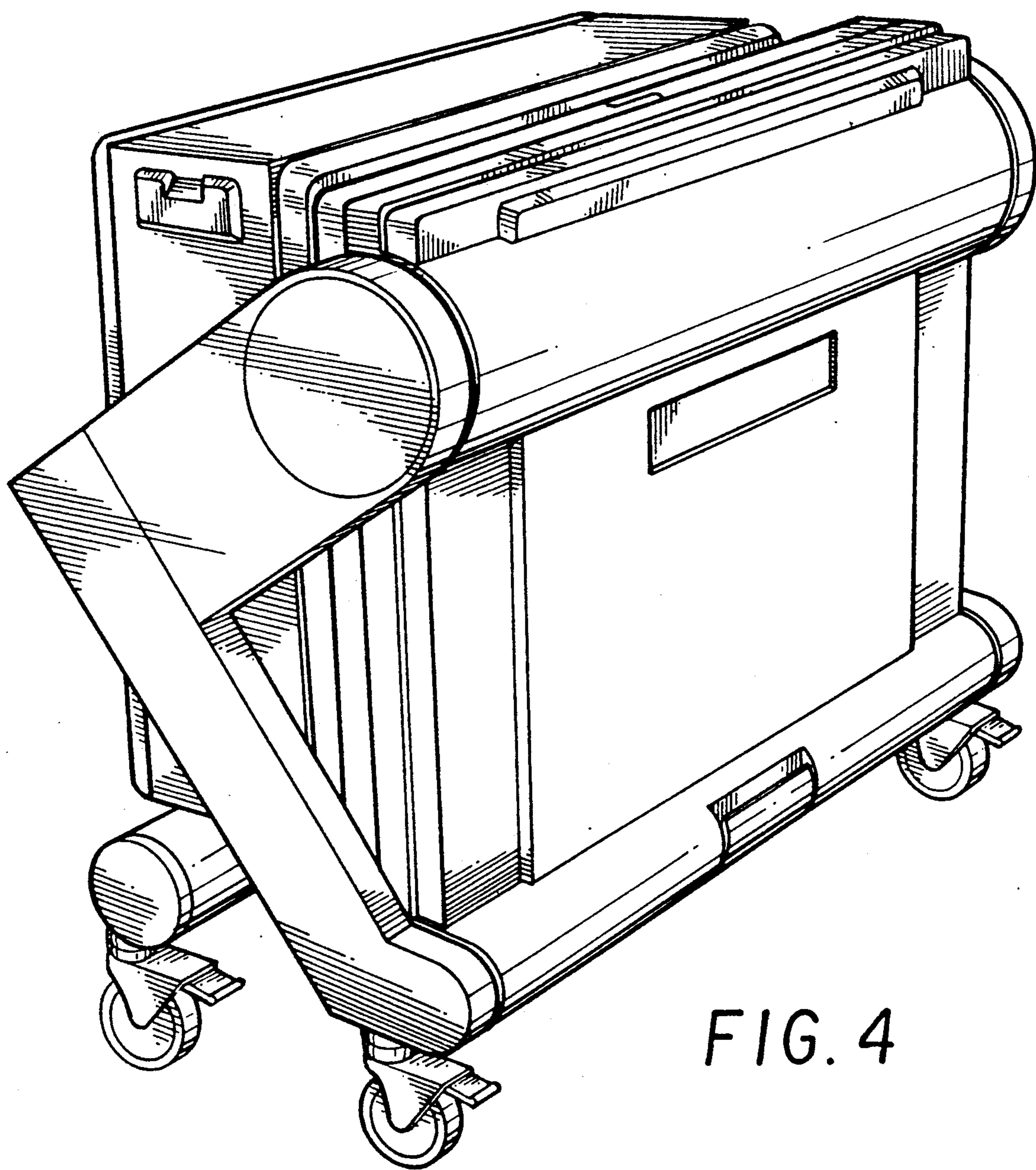


FIG. 4