

[54] CAMERA

[75] Inventor: Makoto Isozaki, Tokyo, Japan

[73] Assignee: Fuji Photo Film Co., Ltd., Kanagawa, Japan

[\*\*] Term: 14 Years

[21] Appl. No.: 313,879

[22] Filed: Feb. 23, 1989

[30] Foreign Application Priority Data

Sep. 16, 1988 [JP] Japan ..... 63-36477

[52] U.S. Cl. .... D16/209; D16/218

[58] Field of Search ..... D16/200-213, D16/216-218; 354/126, 149.11, 202, 288, 195.12

[56] References Cited

U.S. PATENT DOCUMENTS

D. 293,685	1/1988	Tanaka et al. ....	D16/209
D. 293,917	1/1988	Tanaka et al. ....	D16/209
D. 296,703	7/1988	Goto et al. ....	D16/209
D. 313,809	1/1991	Obara ....	D16/209
4,896,182	1/1990	Akiyama et al. ....	354/195.12

OTHER PUBLICATIONS

Popular Photo, Nov. 1987, p. 68 (Fuji DL-400 35 mm Camera).

Evans Catalog, 1988-1989, p. 3069 (Item 3, Fuji 35 mm Tele Camera).

W & Bell Co., 1987-1988, p. 235, (Pentax Mini Sport AF, Item 6).

Primary Examiner—Bernard Ansher

Assistant Examiner—Adir Aronovich

Attorney, Agent, or Firm—Young & Thompson

[57] CLAIM

The ornamental design for a camera, as shown and described.

DESCRIPTION

FIG. 1 is a top and front perspective view of a camera showing my new design;

FIG. 2 is a front elevational view thereof;

FIG. 3 is a rear elevational view thereof;

FIG. 4 is a top plan view thereof;

FIG. 5 is a bottom plan view thereof;

FIG. 6 is a left side elevational view thereof;

FIG. 7 is a right side elevational view thereof; and

FIG. 8 is a top and front perspective view thereof, with the lens and strobe light in an extended position.

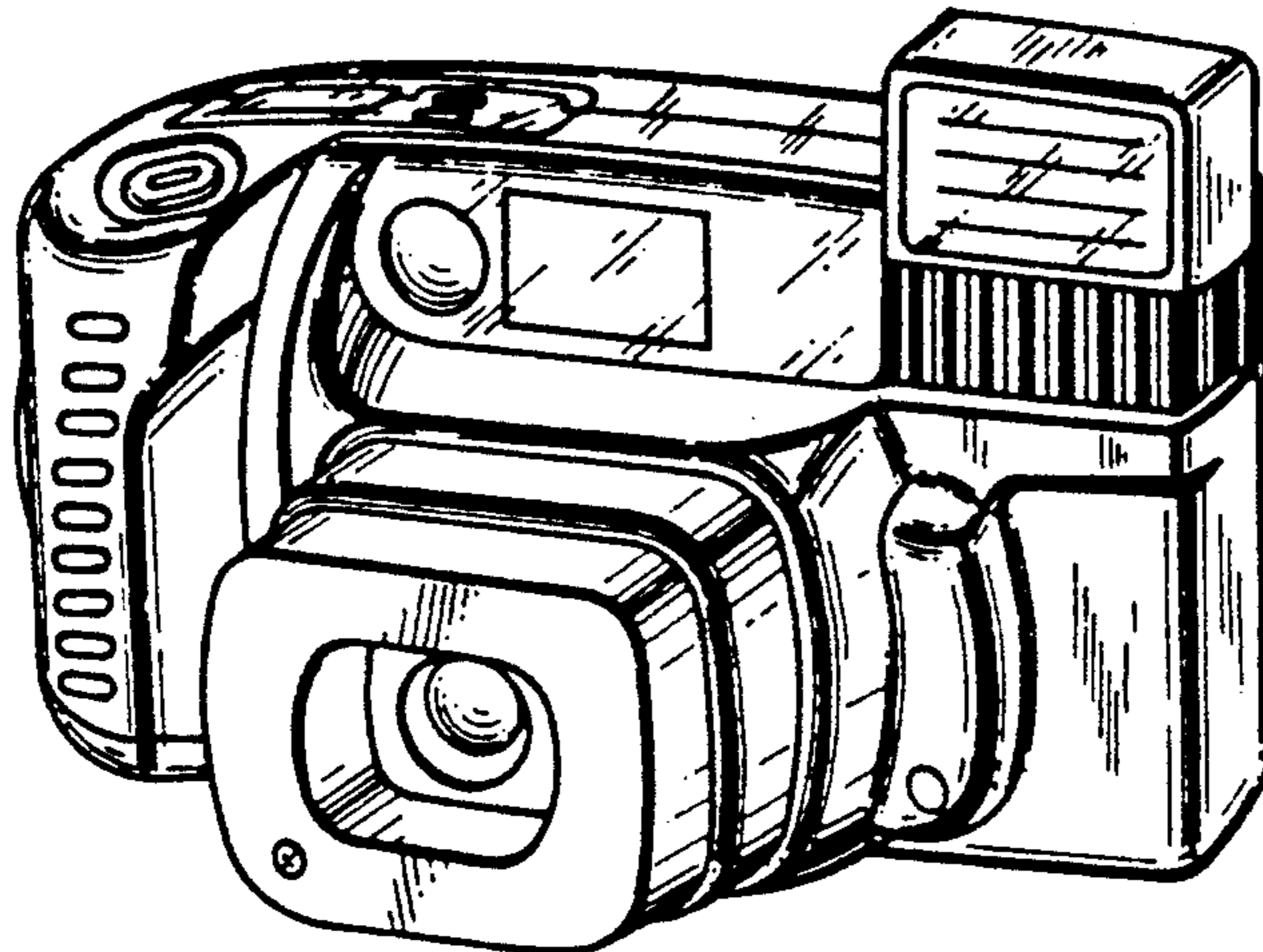
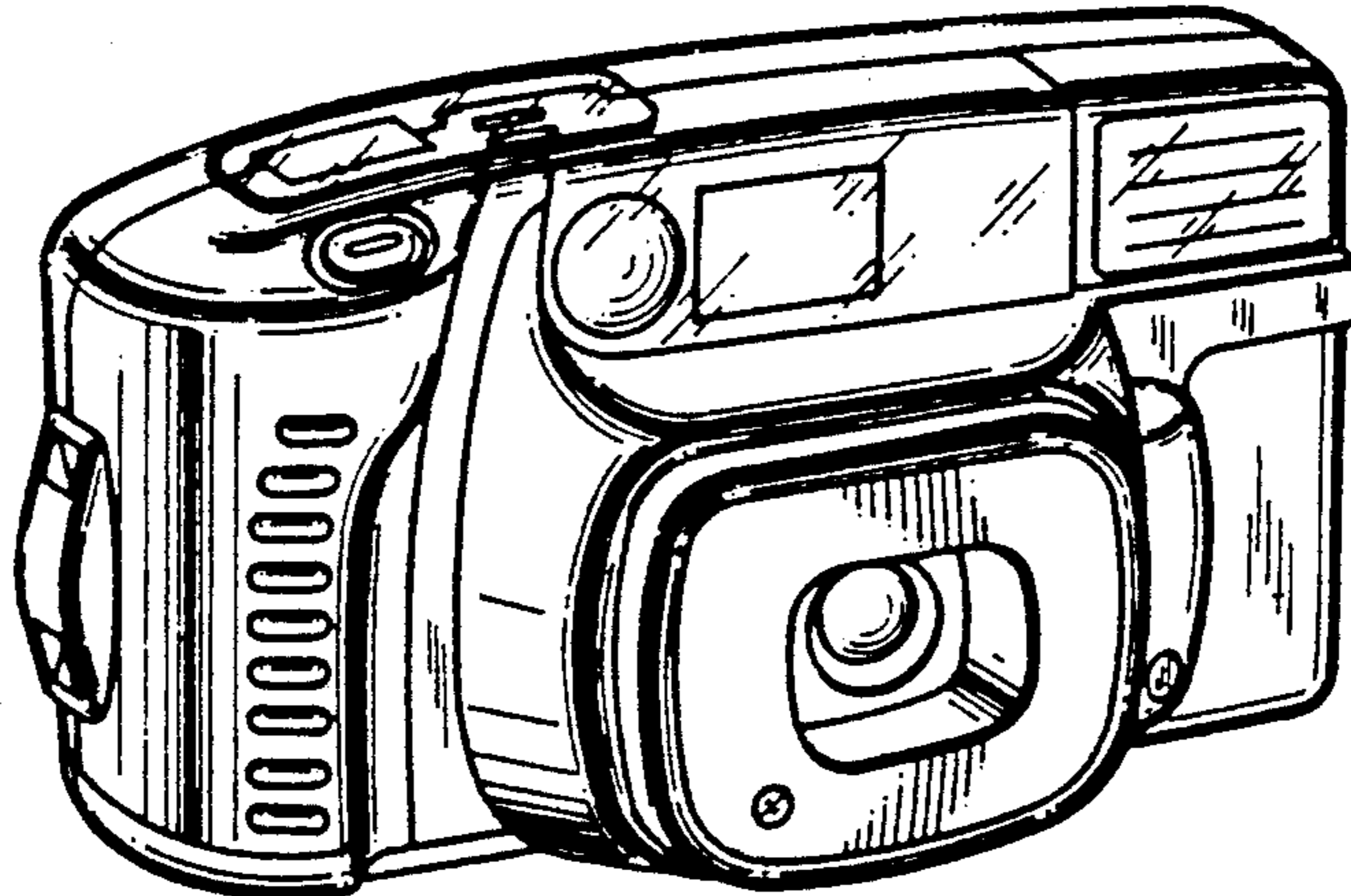


FIG. 1

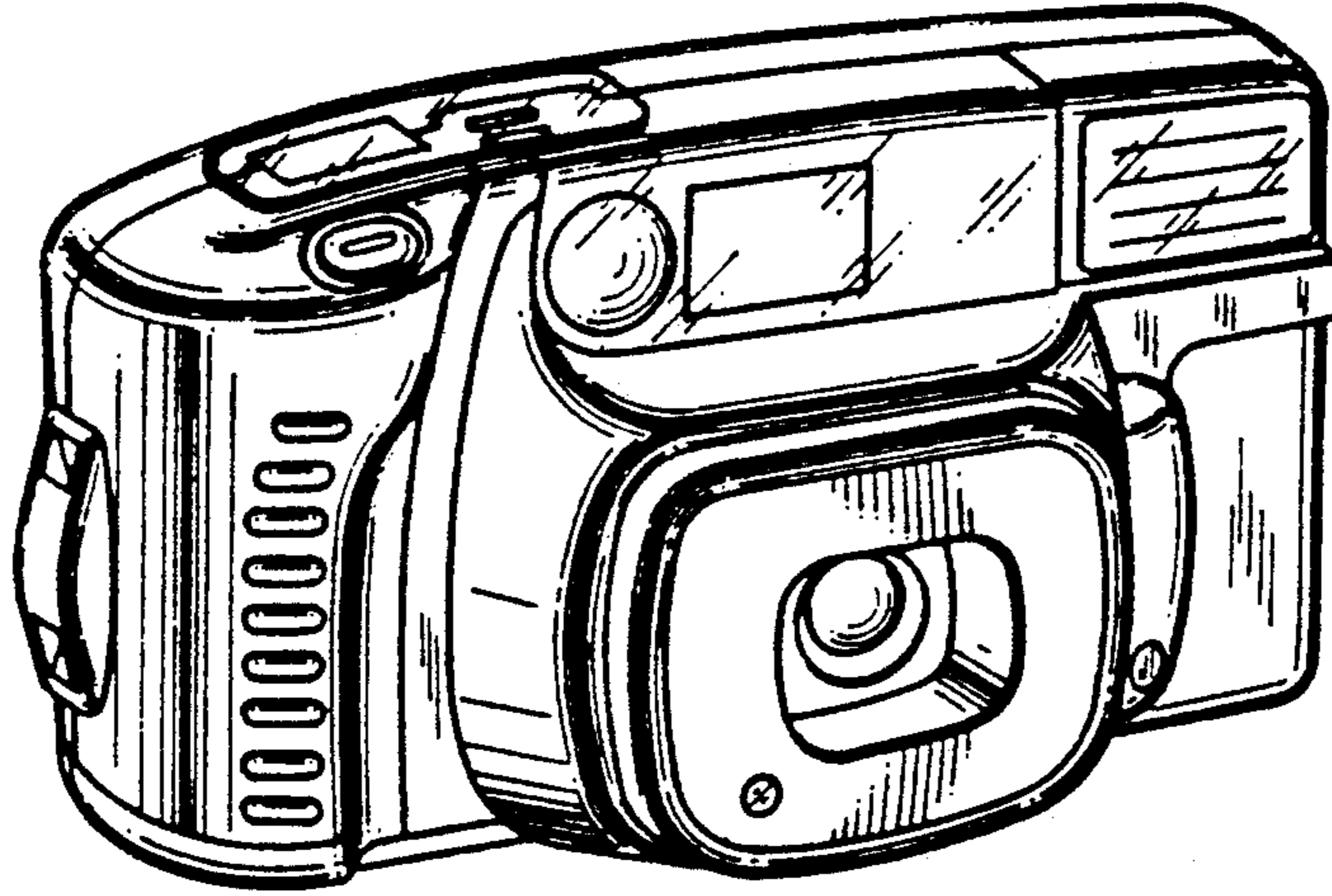


FIG. 2

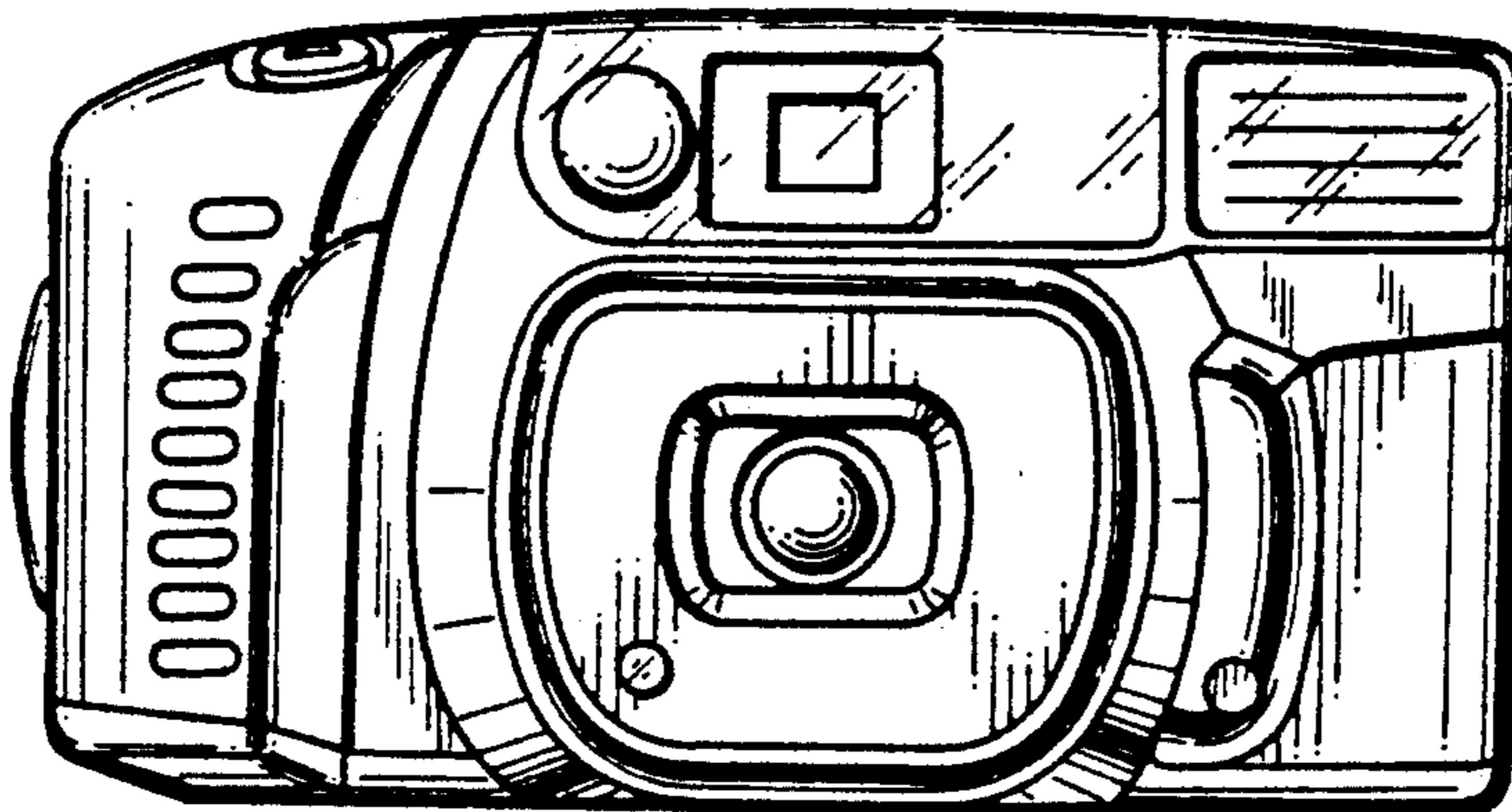


FIG. 3

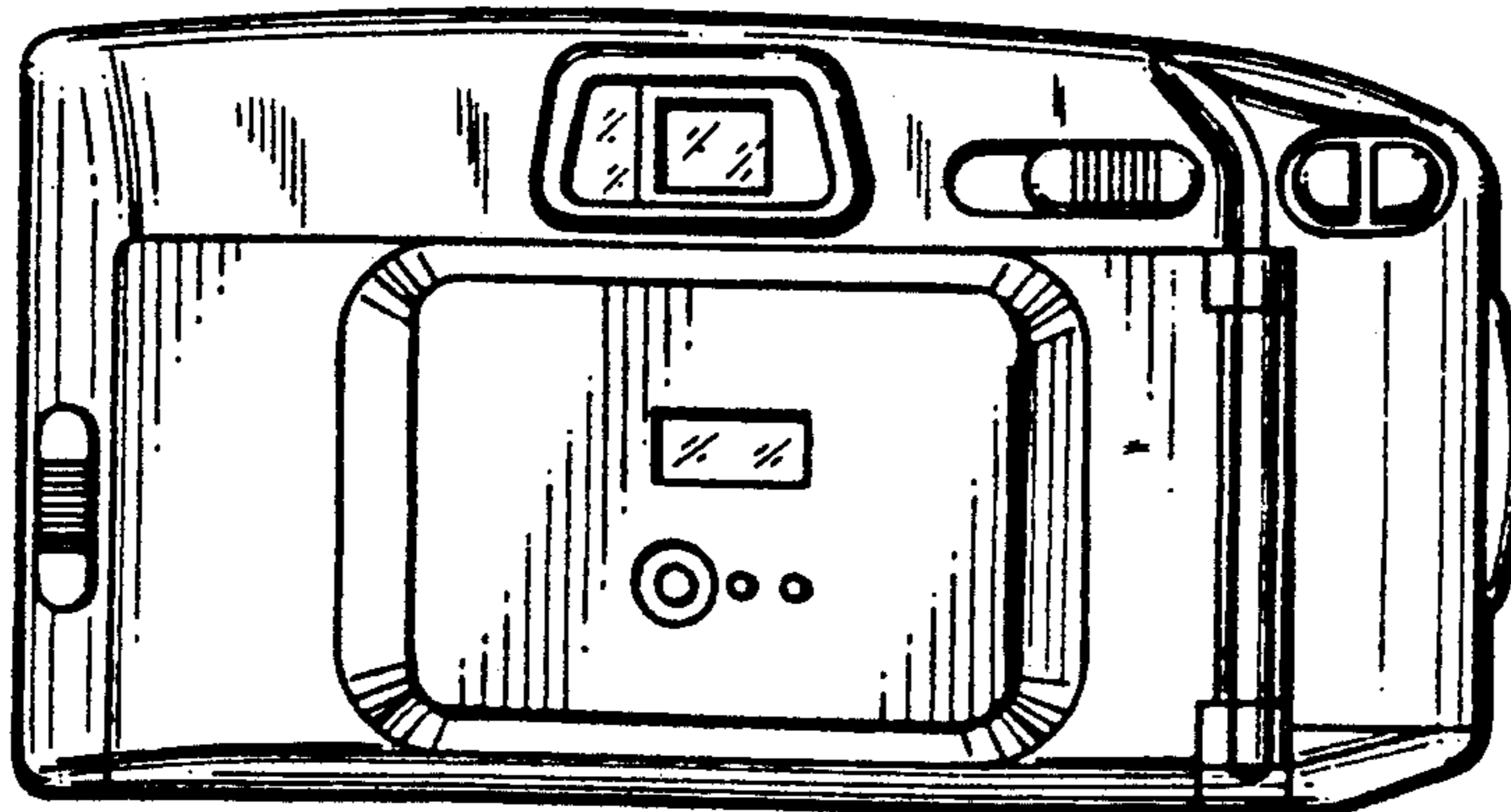


FIG. 4

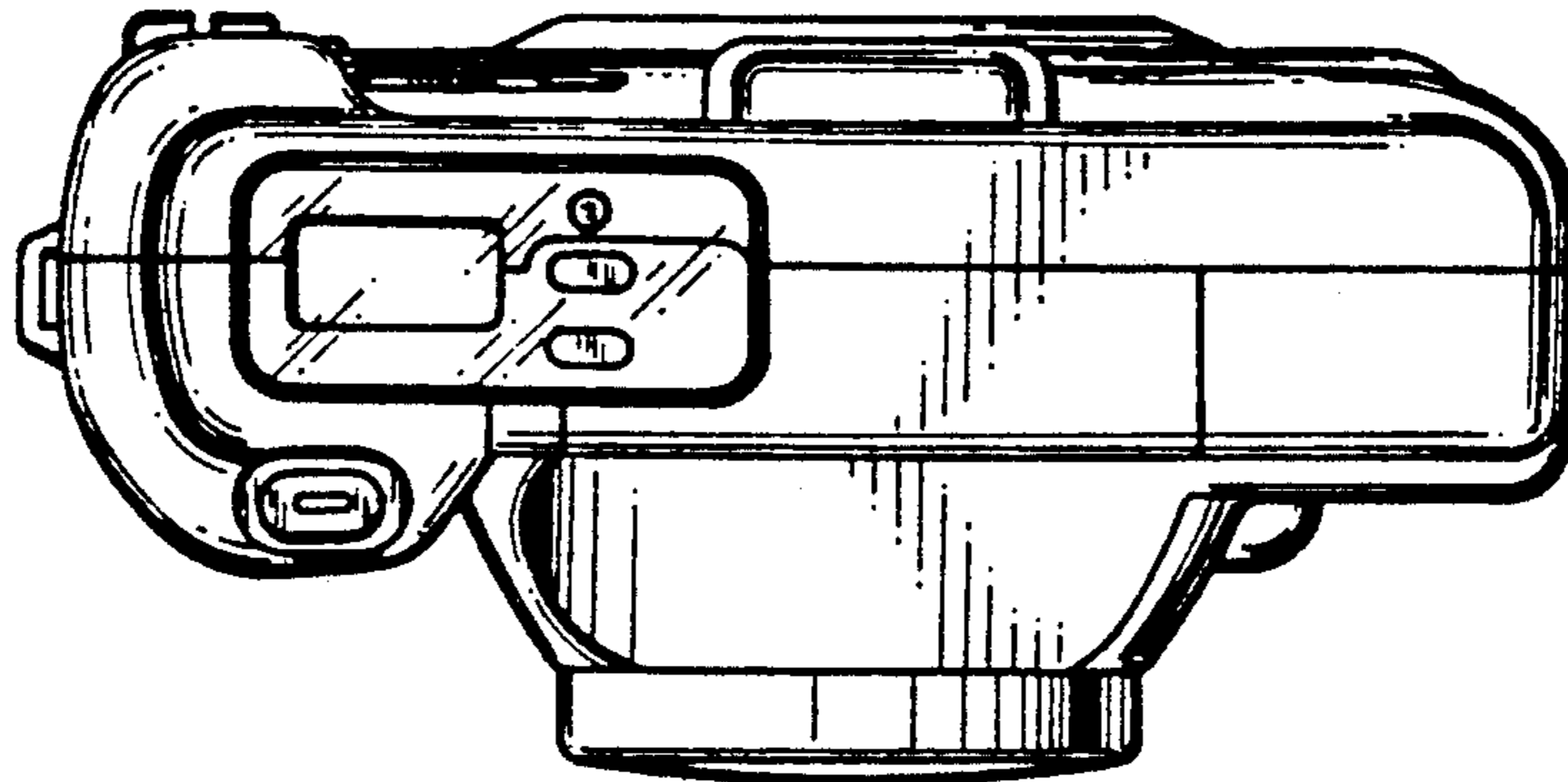


FIG. 5

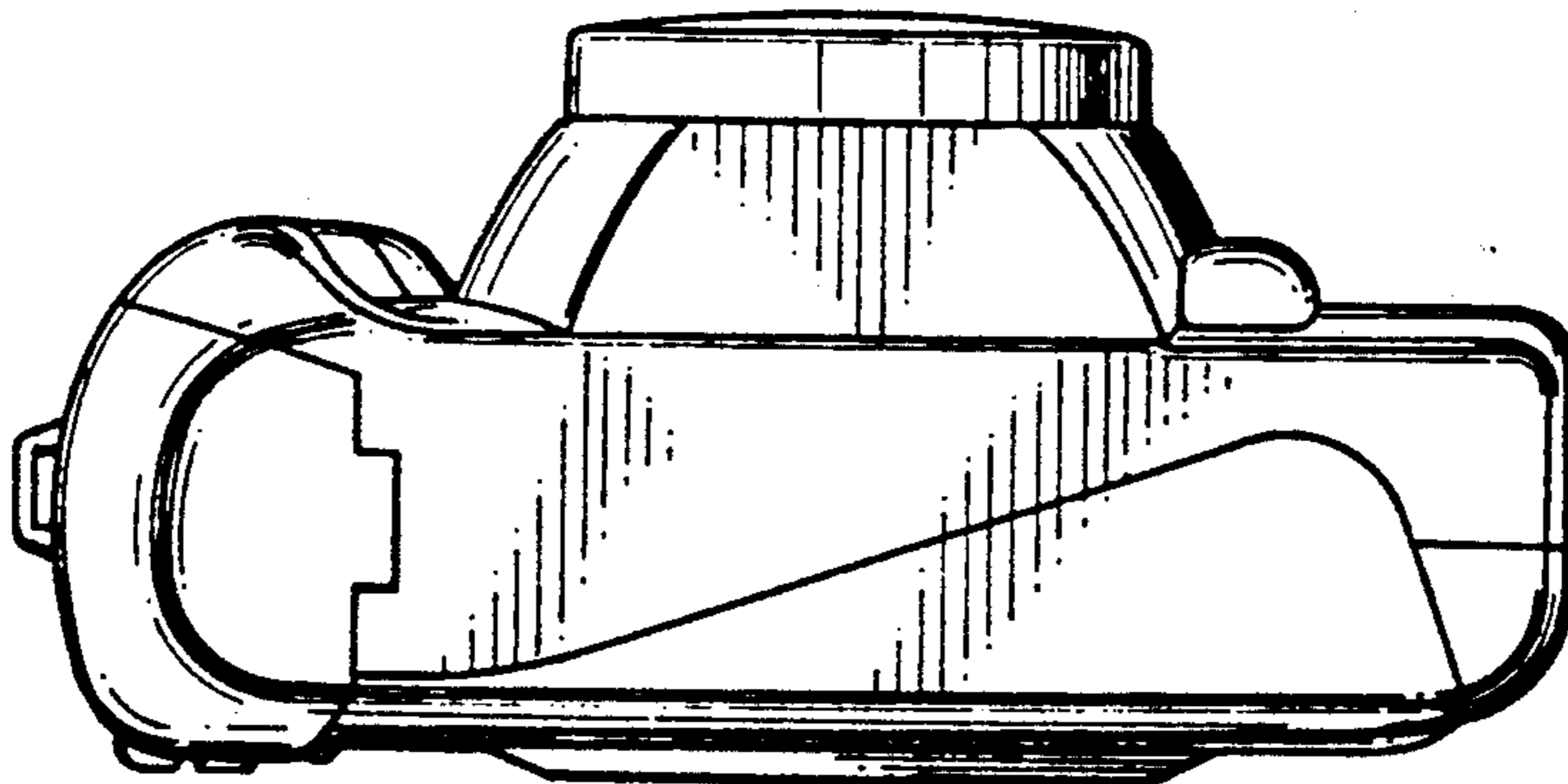


FIG. 6

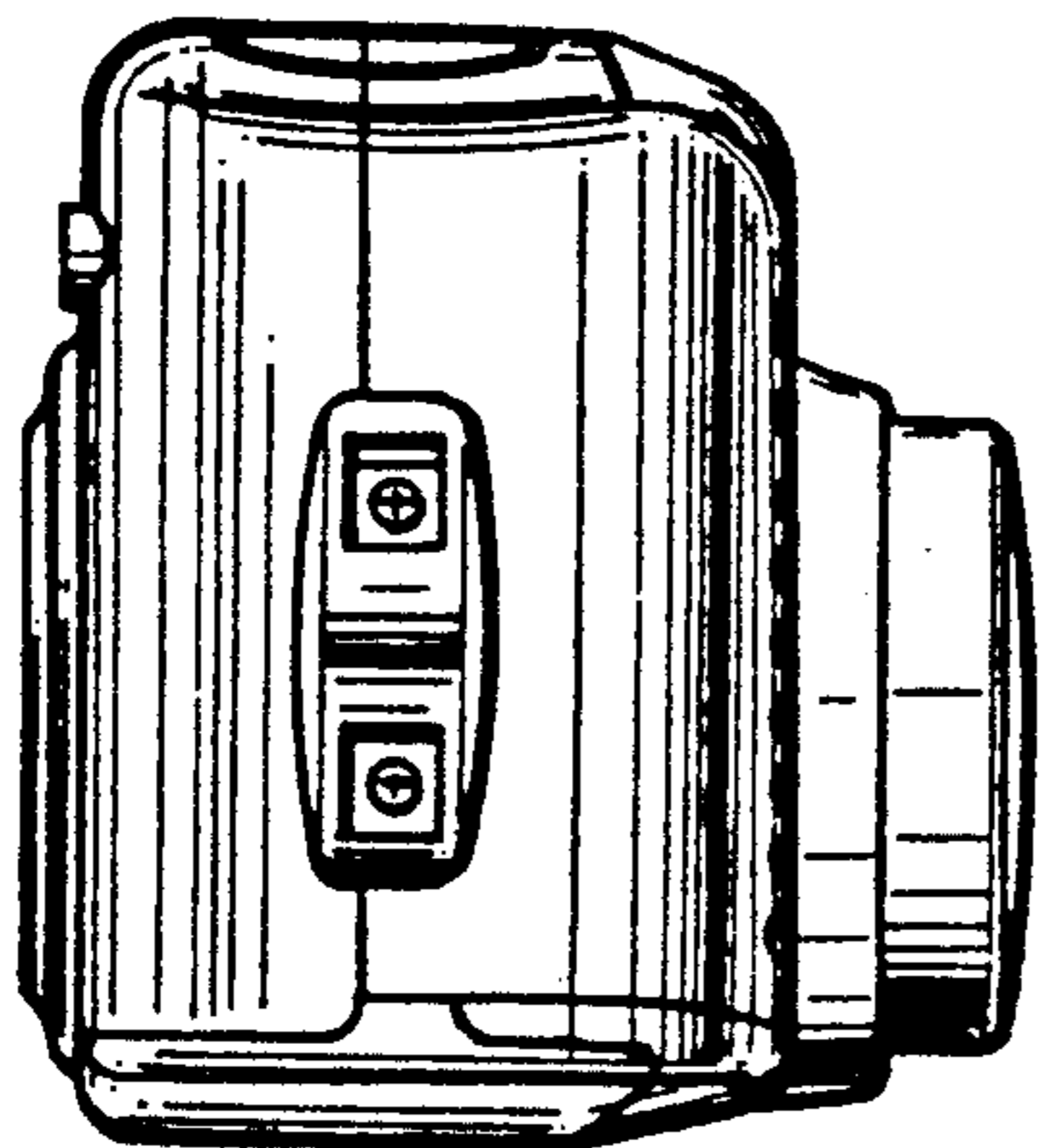


FIG. 7

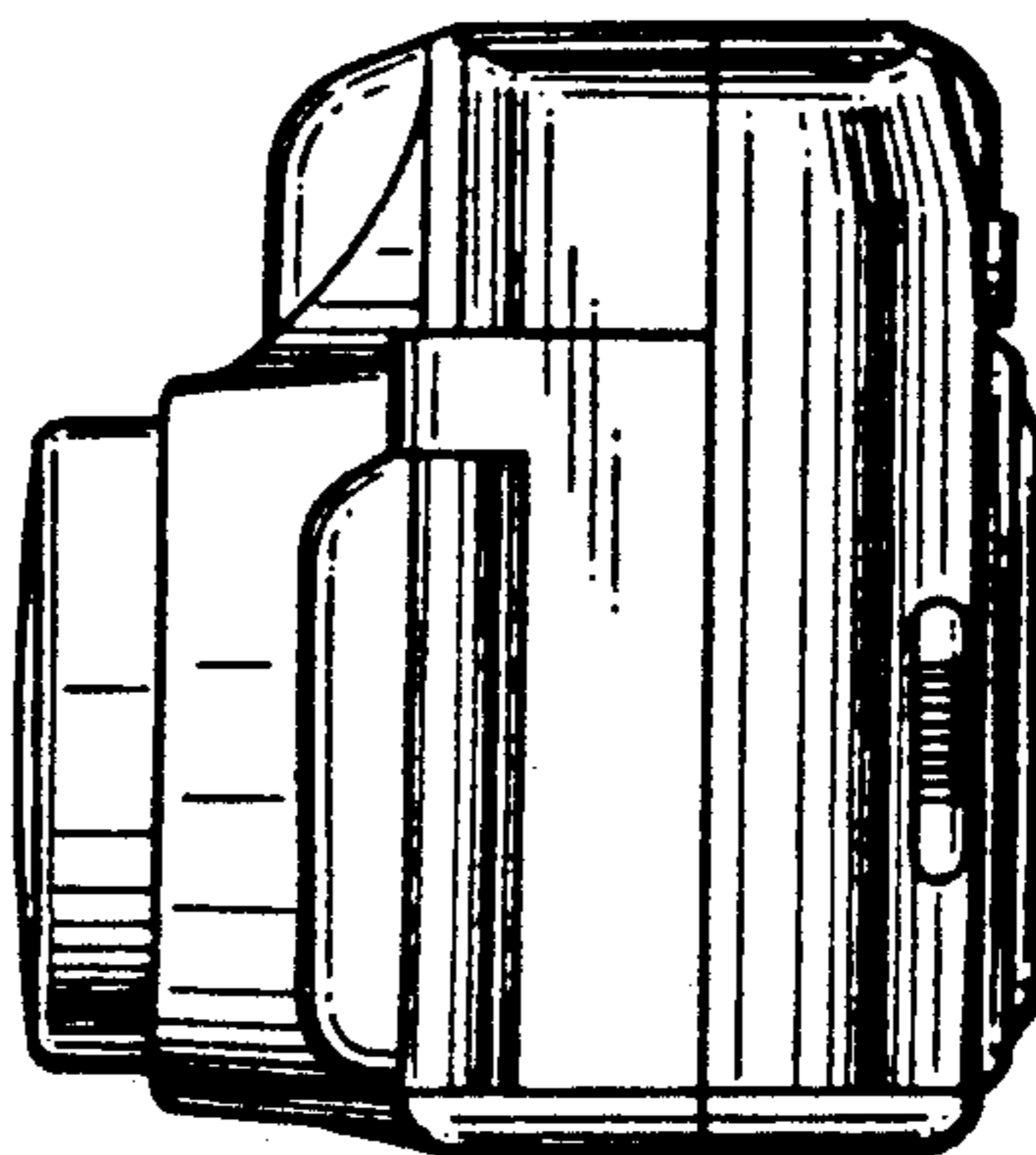


FIG. 8

