

[54] MULTIPLE FUNCTION IMAGE SWITCHING ATTACHMENT FOR A TELESCOPE OR SIMILAR ARTICLE

4,448,500 5/1984 Marling et al. 350/574
4,600,277 7/1986 Murray D16/132 X

[76] Inventor: Jeffrey R. Charles, 10461 Winger Cir., Sun City, Ariz. 85351

[**] Term: 14 Years

[21] Appl. No.: 583,714

[22] Filed: Sep. 17, 1990

OTHER PUBLICATIONS

Sky and Telescope magazine, Feb. 1983, bottom of p. 106, Questar telescope and diagonal.

Clave, Beamsplitter.

1981 Celestrom Catalog, center of p. 43, Off-Axis Guider Body.

1968 Leica Catalog No. 41, p. 11, Visoflex III Reflex Housing.

1976 Questar Instruction Book II, p. 10, Quick-Change Filter Holder.

1976 Questar Instruction Book II, p. 12, Off-Axis Tracker.

Sky and Telescope magazine, Oct. 1985, back cover, diagonal mirror attachment on Celestrom Telescope.

Photonics Spectra magazine, Aug. 1988, center of p. 29, EG&G Reticon, flip mirror attachment.

Related U.S. Application Data

[62] Division of Ser. No. 155,003, Feb. 10, 1988, Pat. No. Des. 310,676.

[52] U.S. Cl. D16/136; D16/132

[58] Field of Search D16/132, 134, 130, 136, D16/207, 208, 210, 137; 350/557, 502, 574, 563; 354/79

Primary Examiner—A. Hugo Word

Assistant Examiner—Doris V. Coles

[56] References Cited

U.S. PATENT DOCUMENTS

- D. 253,476 11/1979 Schneck et al. D16/132
- D. 265,482 7/1982 Bressler D16/132
- D. 268,768 4/1983 Melsheimer et al. D16/132
- D. 275,496 9/1984 Condon D16/132
- D. 295,871 5/1988 Charles D16/130
- D. 310,381 9/1990 Charles D16/130 X
- D. 310,676 9/1990 Charles D16/132 X
- 2,753,760 7/1956 Braymer 350/49
- 2,948,189 8/1961 Fischer 350/83 X
- 3,468,597 9/1969 Jones D16/132 X
- 3,645,602 2/1972 Clave et al. 350/422
- 3,871,741 3/1975 Clave et al. 350/422
- 3,898,678 8/1975 Walworth 354/79
- 3,900,858 8/1975 McCann et al. 354/79
- 4,143,938 3/1979 Feinbloom 350/502

[57] CLAIM

The ornamental design for a multiple function image switching attachment for a telescope or similar article, as shown and described.

DESCRIPTION

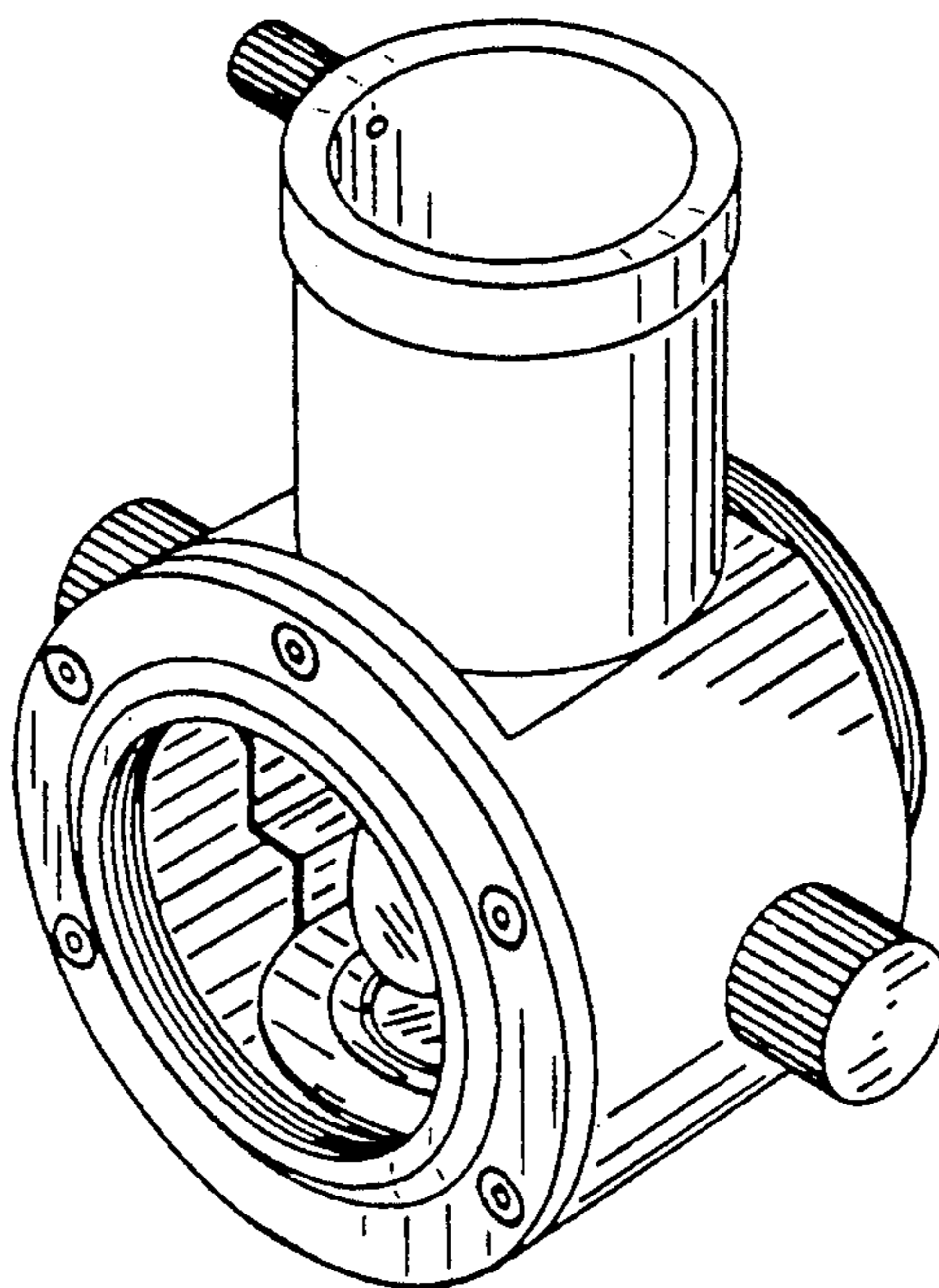
FIG. 1 is a perspective view of a multiple function image switching attachment for a telescope or similar article showing my new design;

FIG. 2 is a top plan view thereof;

FIG. 3 is a front elevational view thereof;

FIG. 4 is a right side elevational view thereof; and

FIG. 5 is a cross-sectional view thereof, taken along line 5—5 of FIG. 2.



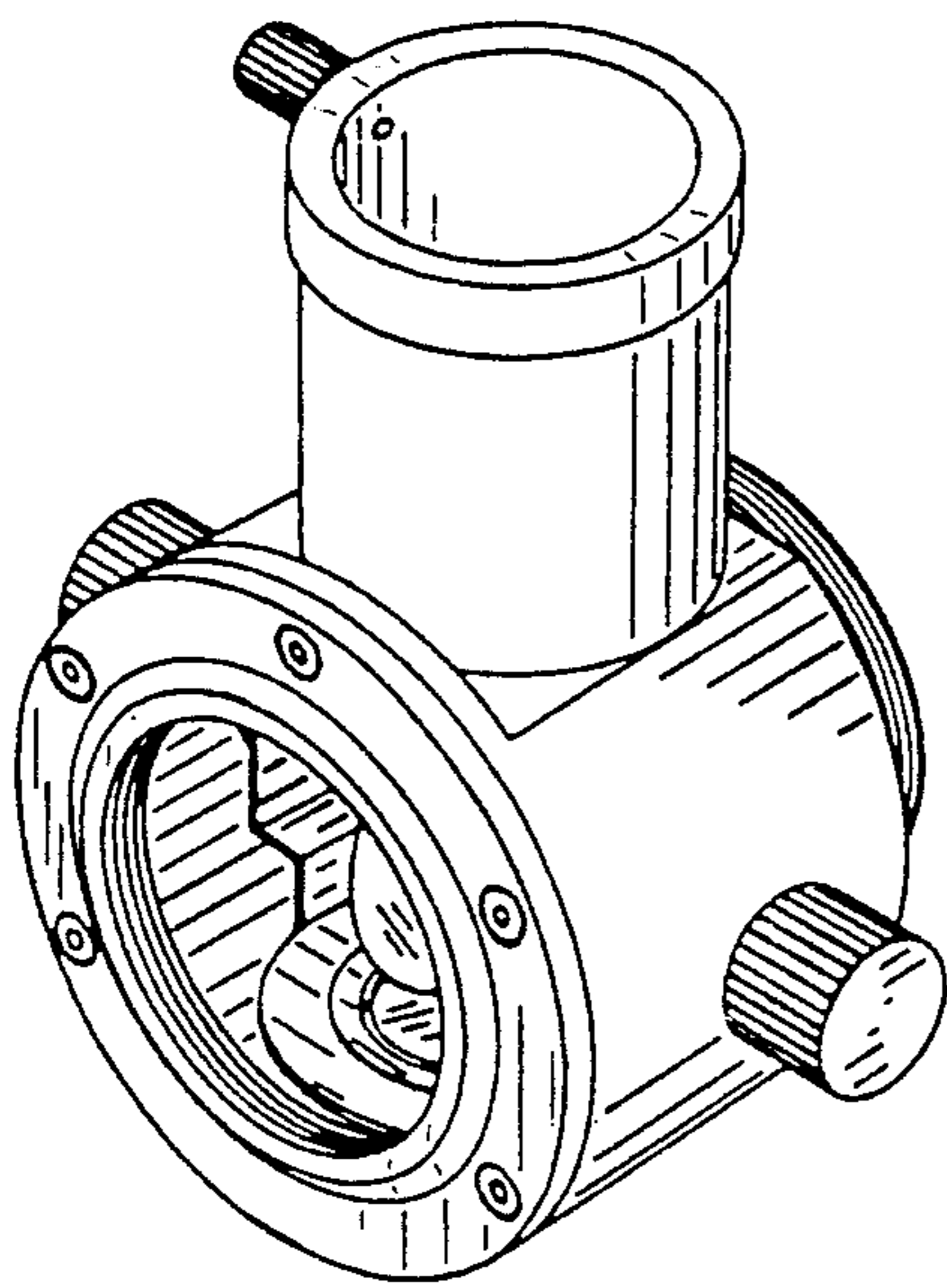


FIG. 1

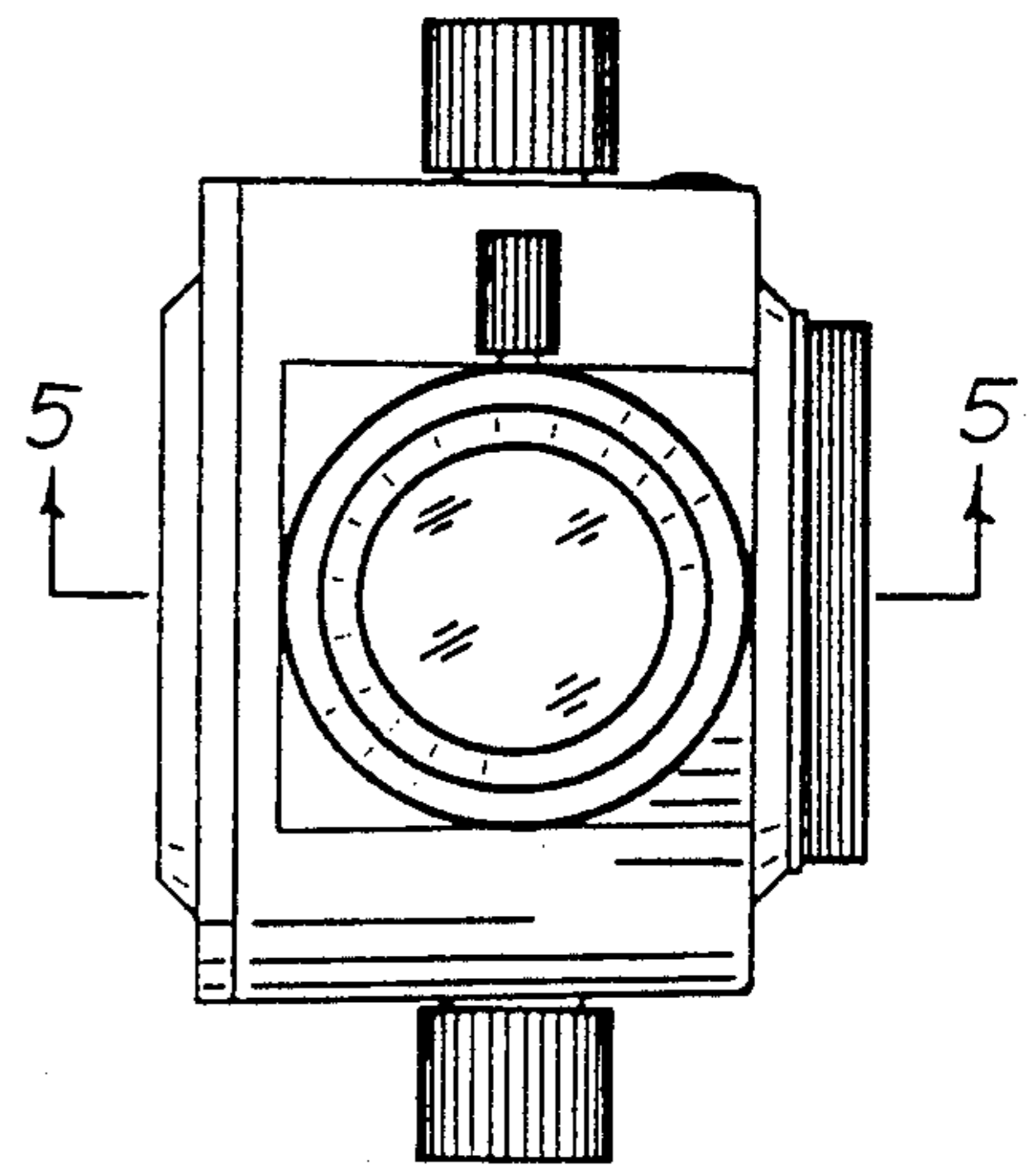


FIG. 2

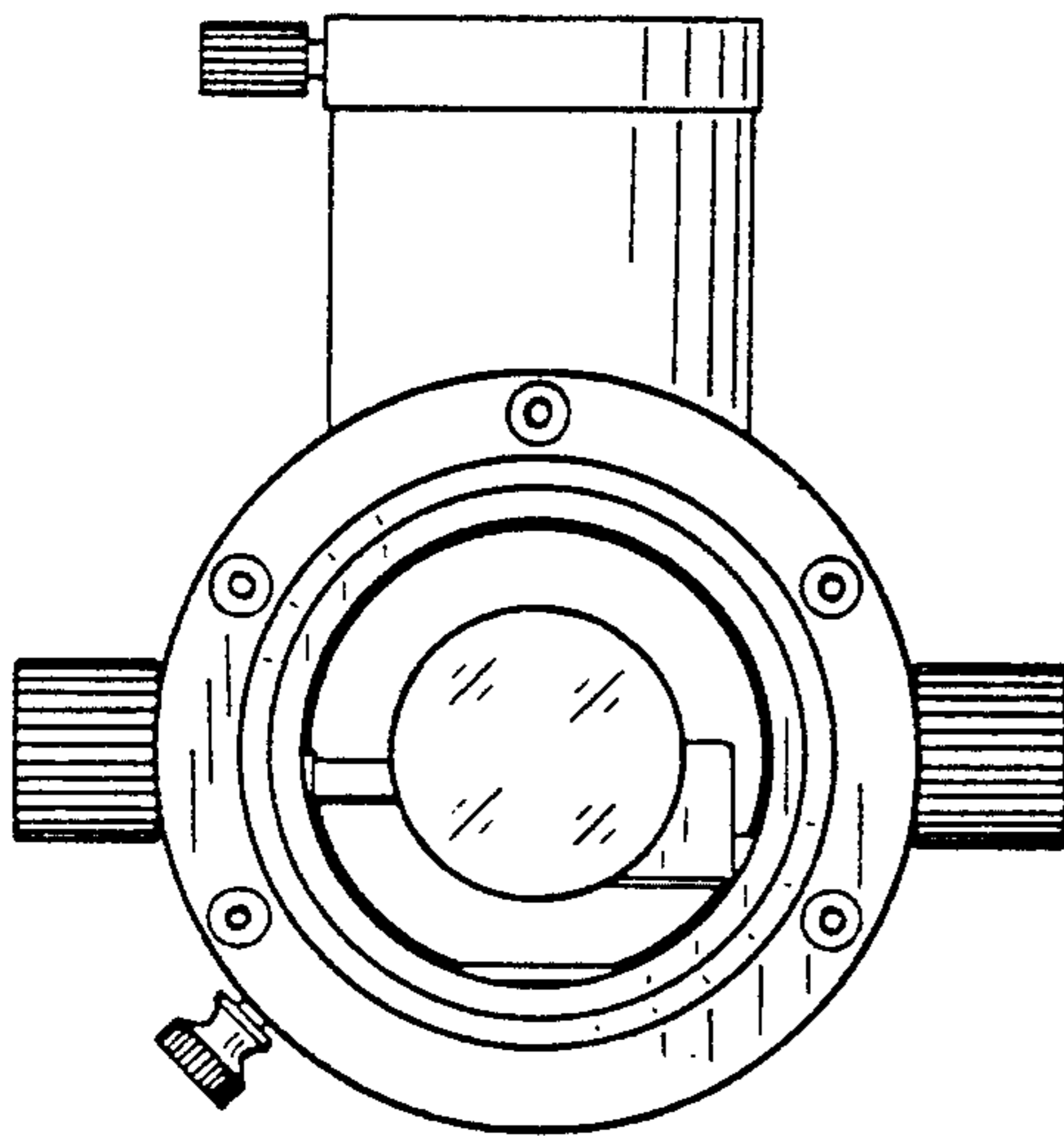


FIG. 3

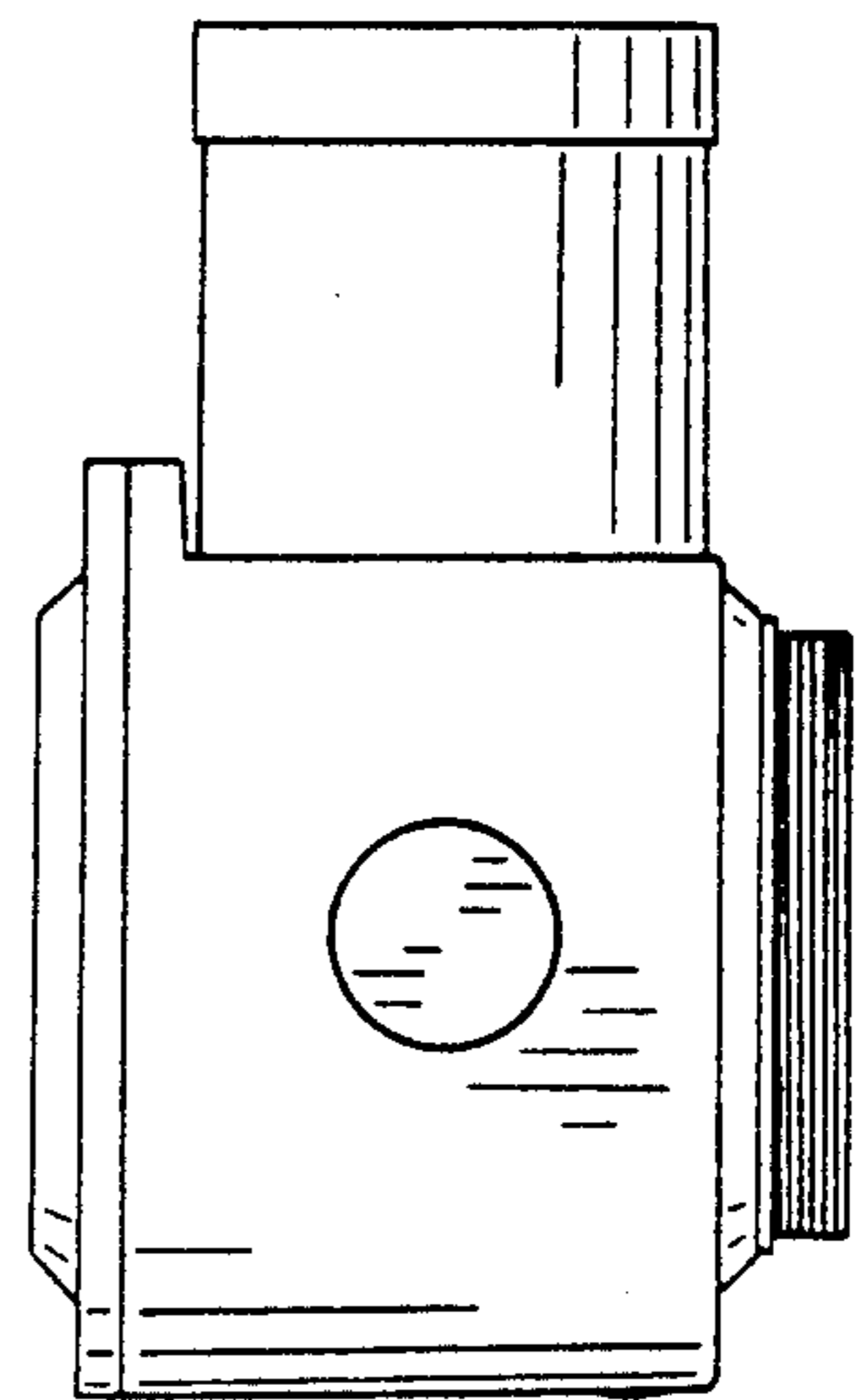


FIG. 4

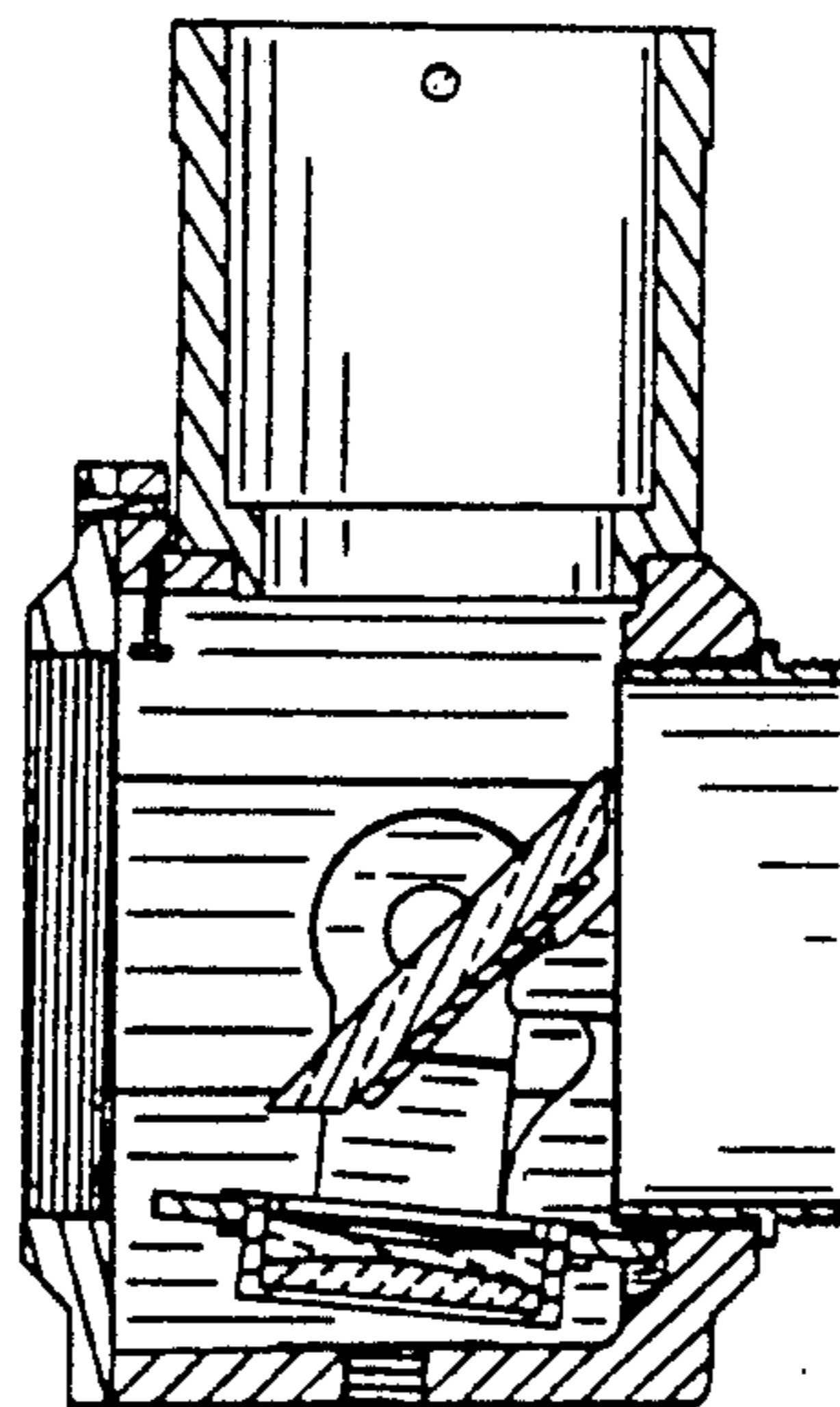


FIG. 5