

[54] EYE SHIELD

[75] Inventor: Alexander W. Millar, Markham, Canada

[73] Assignee: BFD Industries, Inc., British Columbia, Canada

[**] Term: 14 Years

[21] Appl. No.: 434,907

[22] Filed: Oct. 30, 1989

[52] U.S. Cl. D16/102

[58] Field of Search D16/102, 104, 111, 112, D16/115, 116, 117, 118, 119, 122, 125, 127, 128; 351/41, 44, 51, 57, 59; 83, 91, 103, 111; 2/426, 427, 431, 438, 439, 448, 449; D21/240

[56] References Cited

U.S. PATENT DOCUMENTS

D. 115,760	7/1939	English	D16/112
D. 127,373	5/1941	Johnson	D16/111
D. 144,560	4/1946	Hansen	D16/115
D. 145,288	7/1946	Cicco	D16/102
D. 194,556	2/1963	Ranck	D16/111
D. 202,130	8/1965	Mitchell	D16/111

D. 210,422	3/1968	Mitchell	D16/102
D. 299,034	12/1988	Seaboyer	D16/112
D. 306,867	3/1990	Leger	D16/102
D. 308,691	6/1990	Myers	D16/111
D. 309,465	7/1990	Russell	D16/116
1,868,362	7/1932	Nowak	D16/112
2,714,717	8/1955	Allman	2/13
4,494,251	1/1985	Ainsworth et al.	2/425
4,779,291	10/1988	Russell	351/41

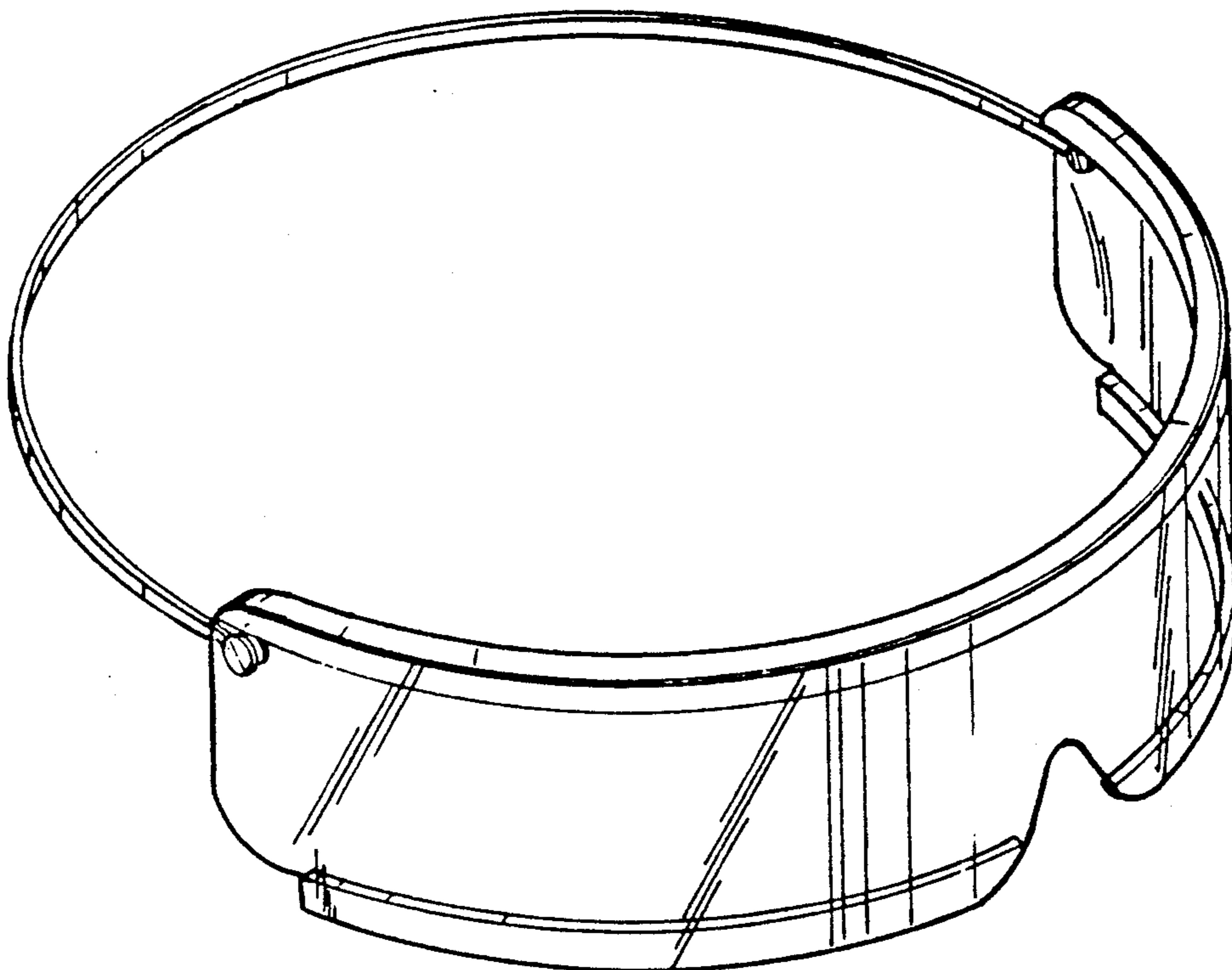
Primary Examiner—Bernard Ansher
Assistant Examiner—R. Barkai
Attorney, Agent, or Firm—George A. Bode

[57] CLAIM

The ornamental design for an eye shield, as shown and described.

DESCRIPTION

FIG. 1 is a perspective view of an eye shield showing my new design;
FIG. 2 is a front elevational view thereof;
FIG. 3 is a top plan view thereof;
FIG. 4 is a side elevational view thereof, the side opposite being substantially a mirror image;
FIG. 5 is a rear elevational view thereof; and,
FIG. 6 is a bottom plan view thereof.



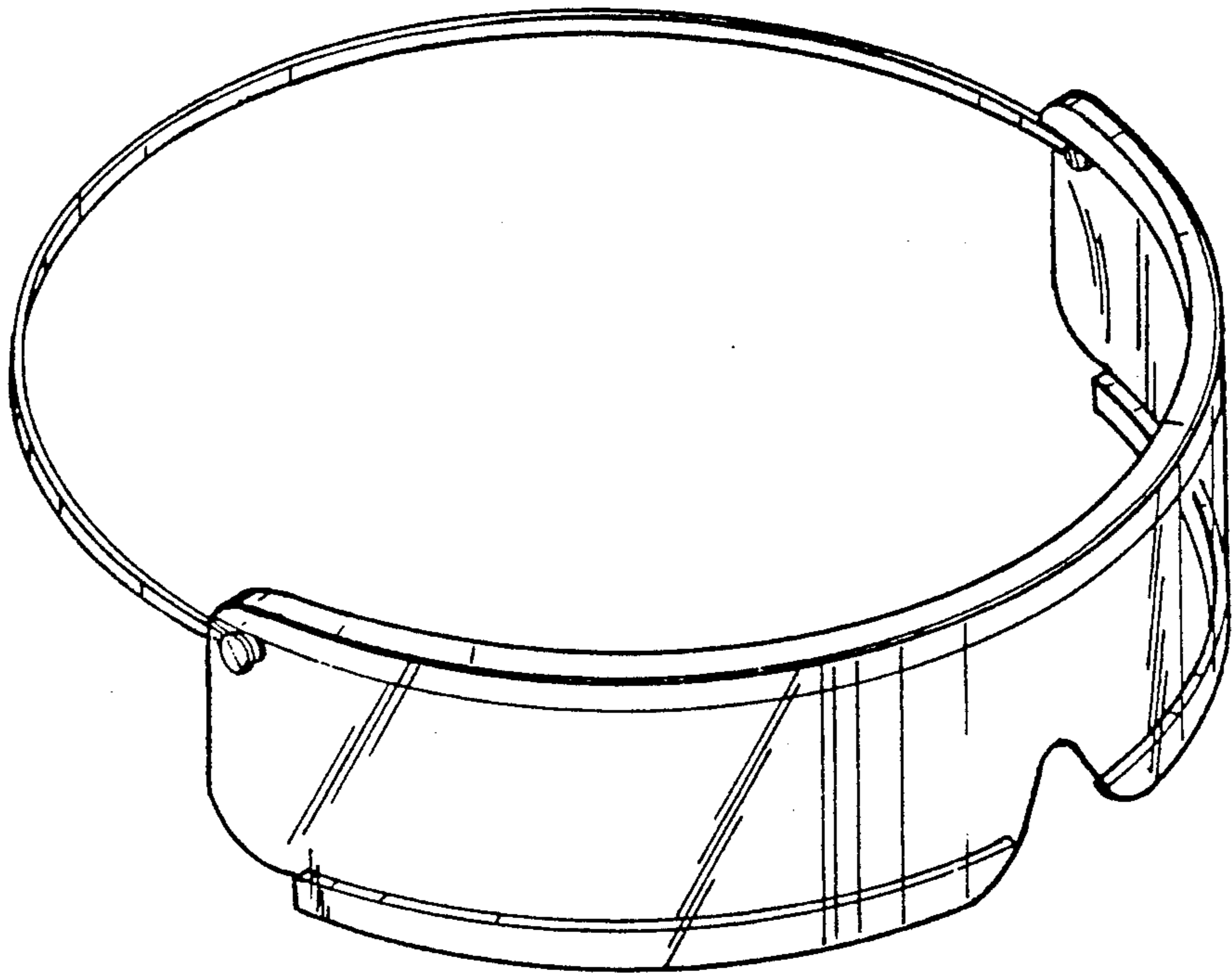


FIG. 1

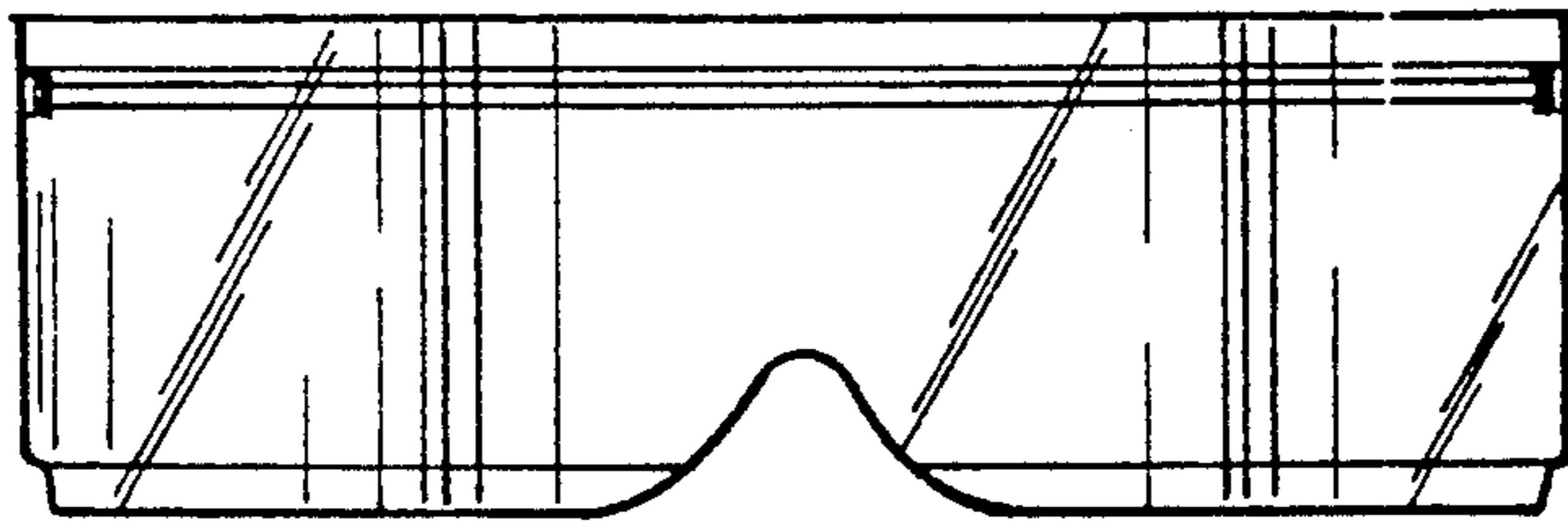


FIG. 2

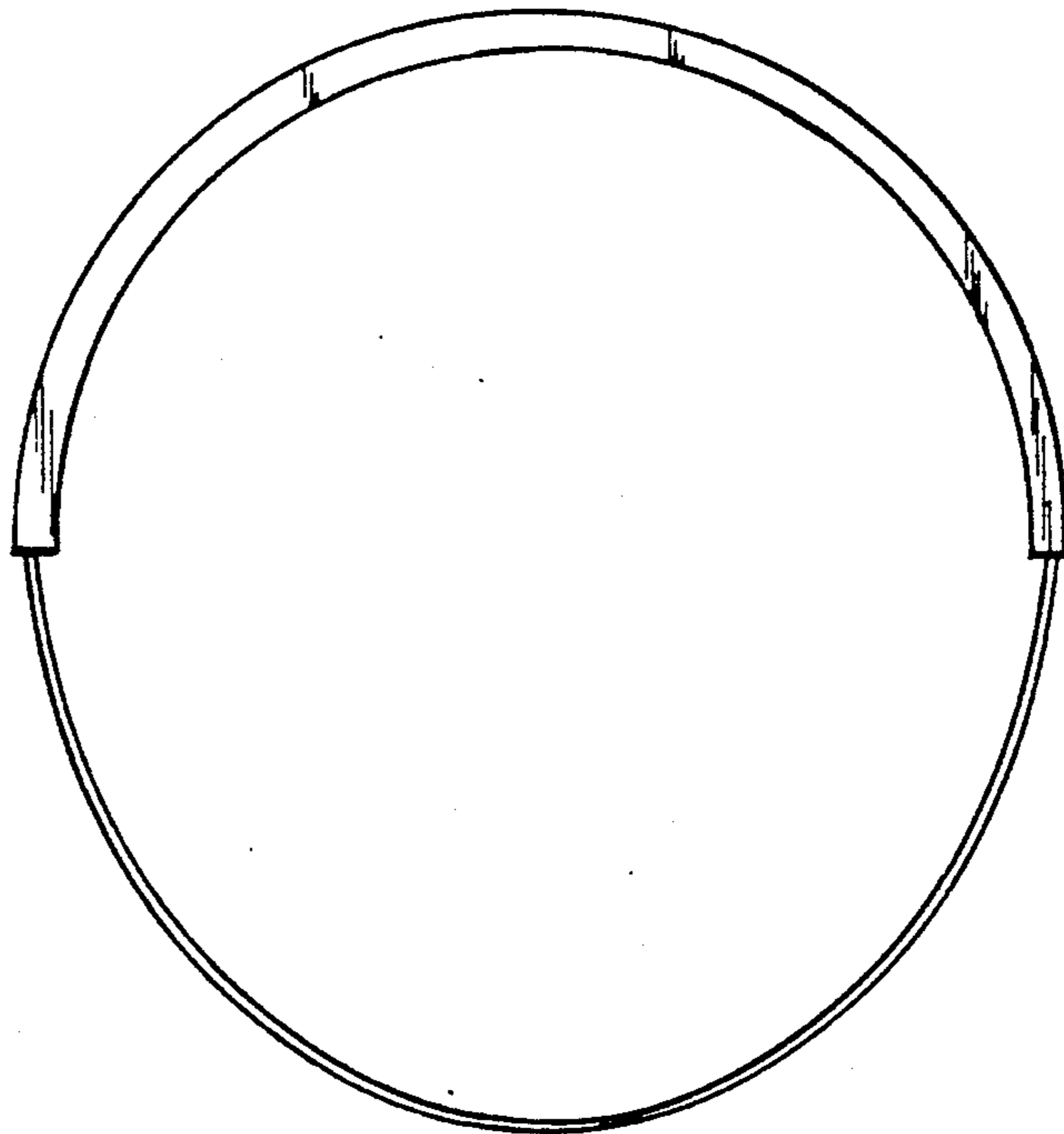


FIG. 3

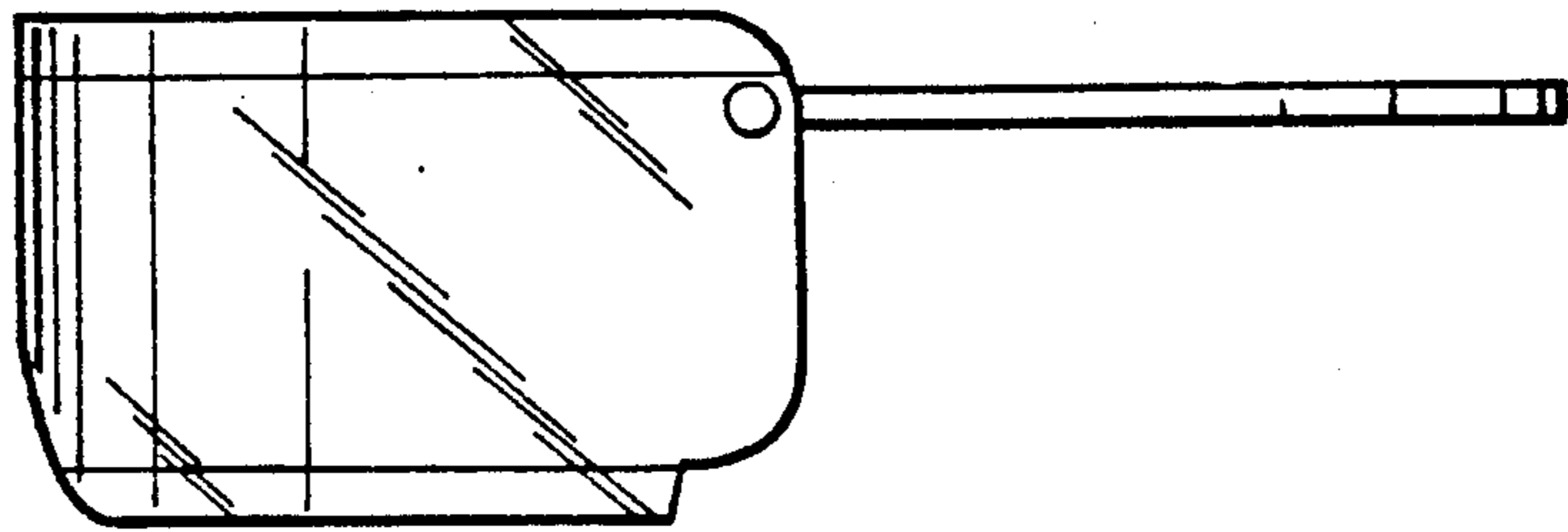


FIG. 4

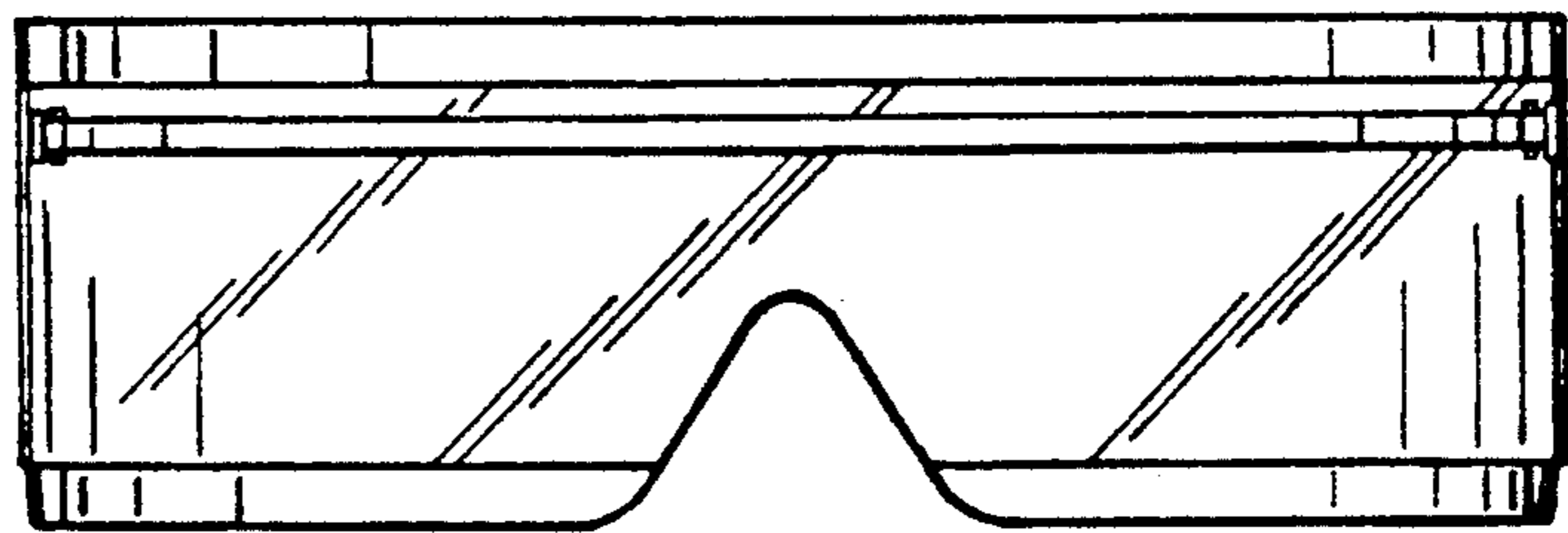


FIG. 5

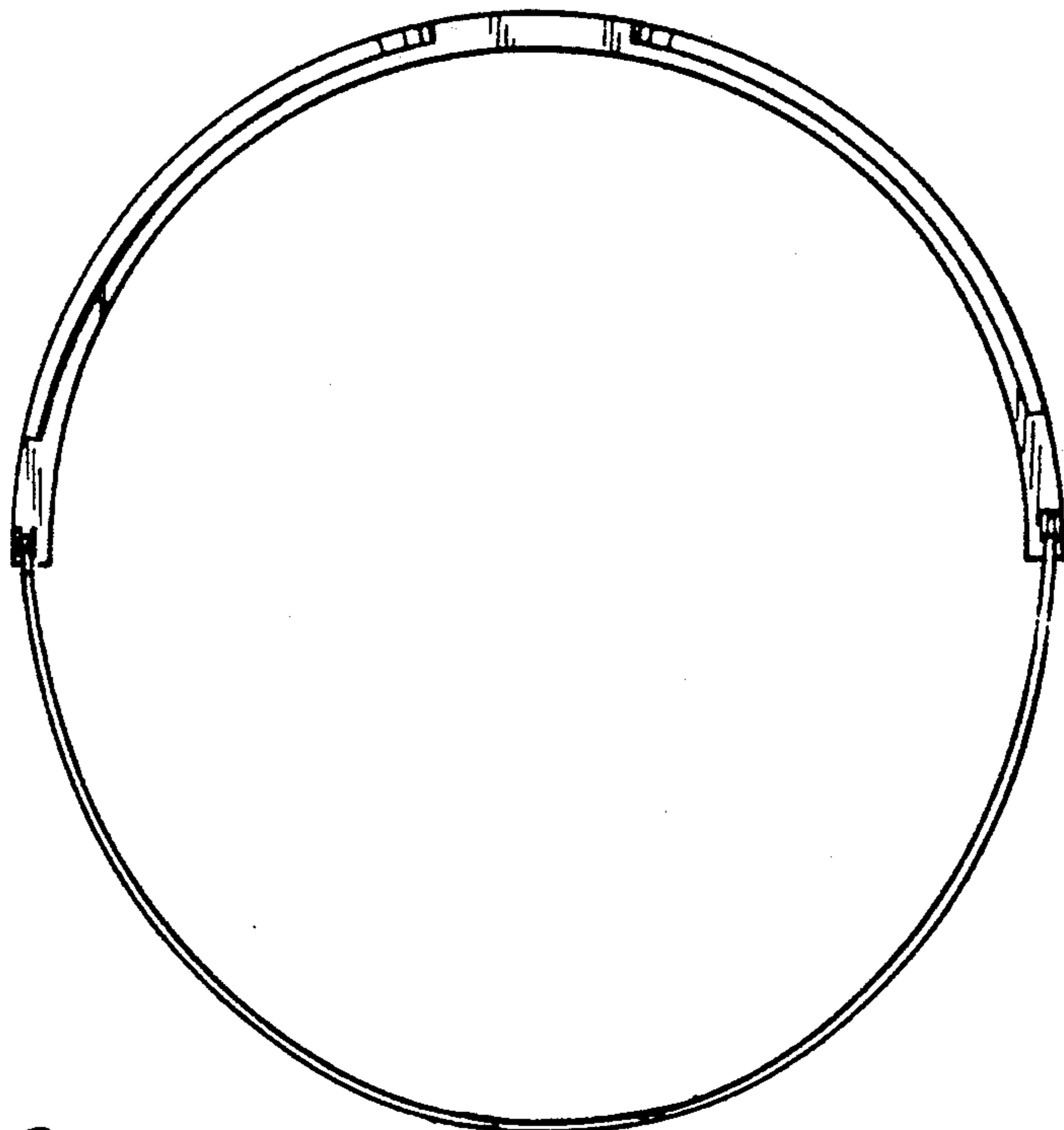


FIG. 6