

[54] TRACTOR LOADER MOUNTING FRAME

[75] Inventors: Garry L. Ball, Lancaster, Pa.; Russell I. Johnson, Leonard; Daniel D. Radke, Troy, both of Mich.

[73] Assignee: Ford New Holland, Inc., New Holland, Pa.

[**] Term: 14 Years

[21] Appl. No.: 300,624

[22] Filed: Jan. 23, 1989

[52] U.S. Cl. D15/32

[58] Field of Search D15/10, 22-26, D15/28, 32, 33; 37/117.5, 118 A; 414/685, 697, 722, 727

4,576,543	3/1986	Kuchyt et al.	414/722
4,768,917	9/1988	Garman	414/697
4,825,568	5/1989	Kawamura et al.	414/722
4,854,811	8/1989	Veys	414/722

OTHER PUBLICATIONS

Implement Tractor, 1/31/86, p. 60, "Bush Hog", center.

Ford Specifications 555 B Brochure, undated.

Primary Examiner—B. J. Bullock

Assistant Examiner—Sandra Morris

Attorney, Agent, or Firm—Larry W. Miller; Frank A.

Seemar; Darrell F. Marquette

[57] CLAIM

The ornamental design for a tractor loader mounting frame, as shown and described.

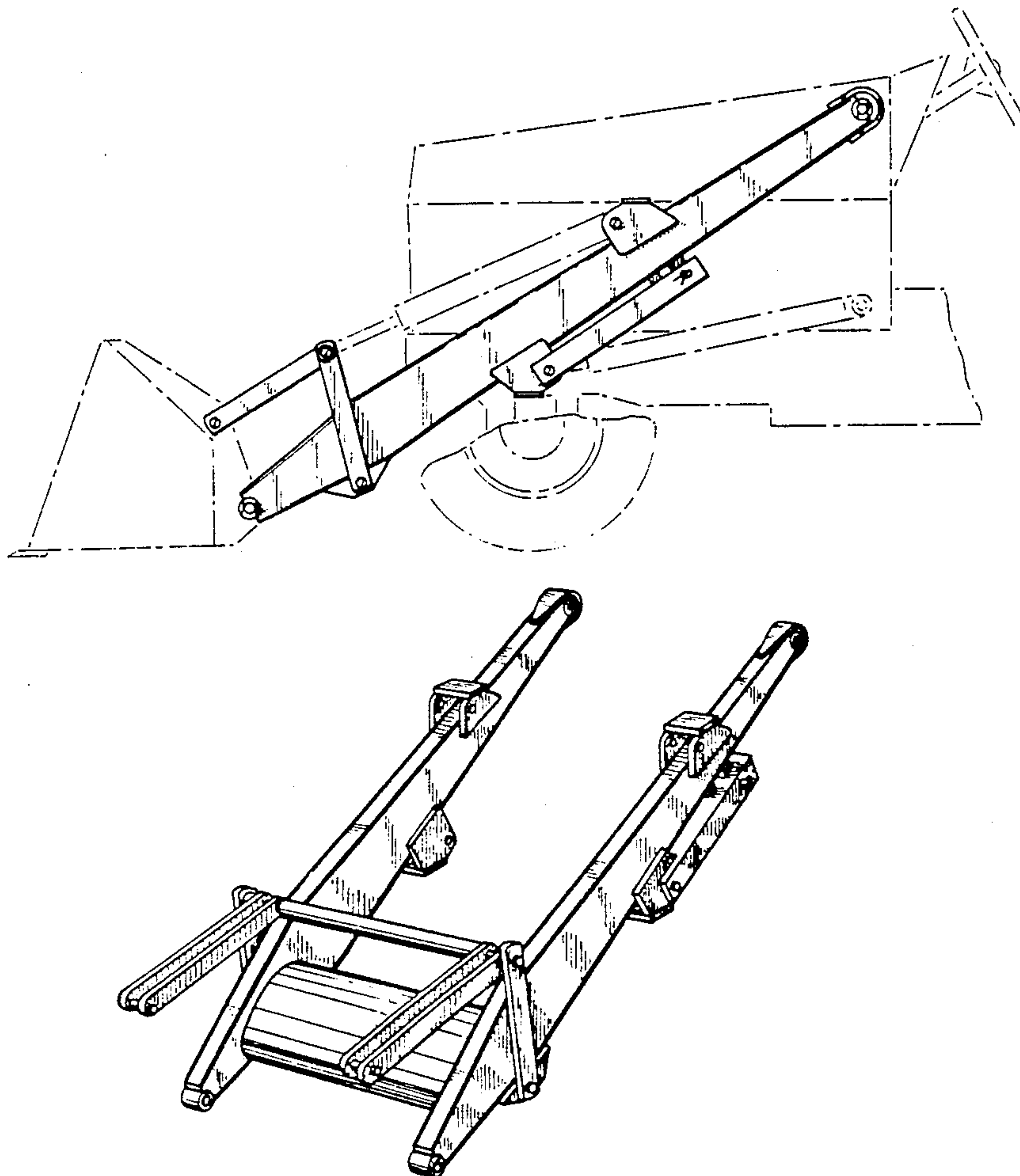
DESCRIPTION

FIG. 1 is a right side elevational view of a tractor loader mounting frame, showing our new design, the tractor and bucket shown in broken lines are for illustrative purposes only, and form no part of the claimed design; FIG. 2 is a top plan view thereof; FIG. 3 is a front elevational view thereof; FIG. 4 is a left side elevational view thereof; FIG. 5 is a perspective view thereof.

[56] References Cited

U.S. PATENT DOCUMENTS

D. 204,246	4/1966	Shumaker	D15/32
D. 269,515	6/1983	Yoder	D15/32
4,032,184	6/1977	Blair	414/685
4,033,469	7/1977	Frank	414/722
4,324,525	4/1982	Lane et al.	414/722
4,329,797	5/1982	Shumaker	414/685
4,531,888	7/1985	Arnold .	



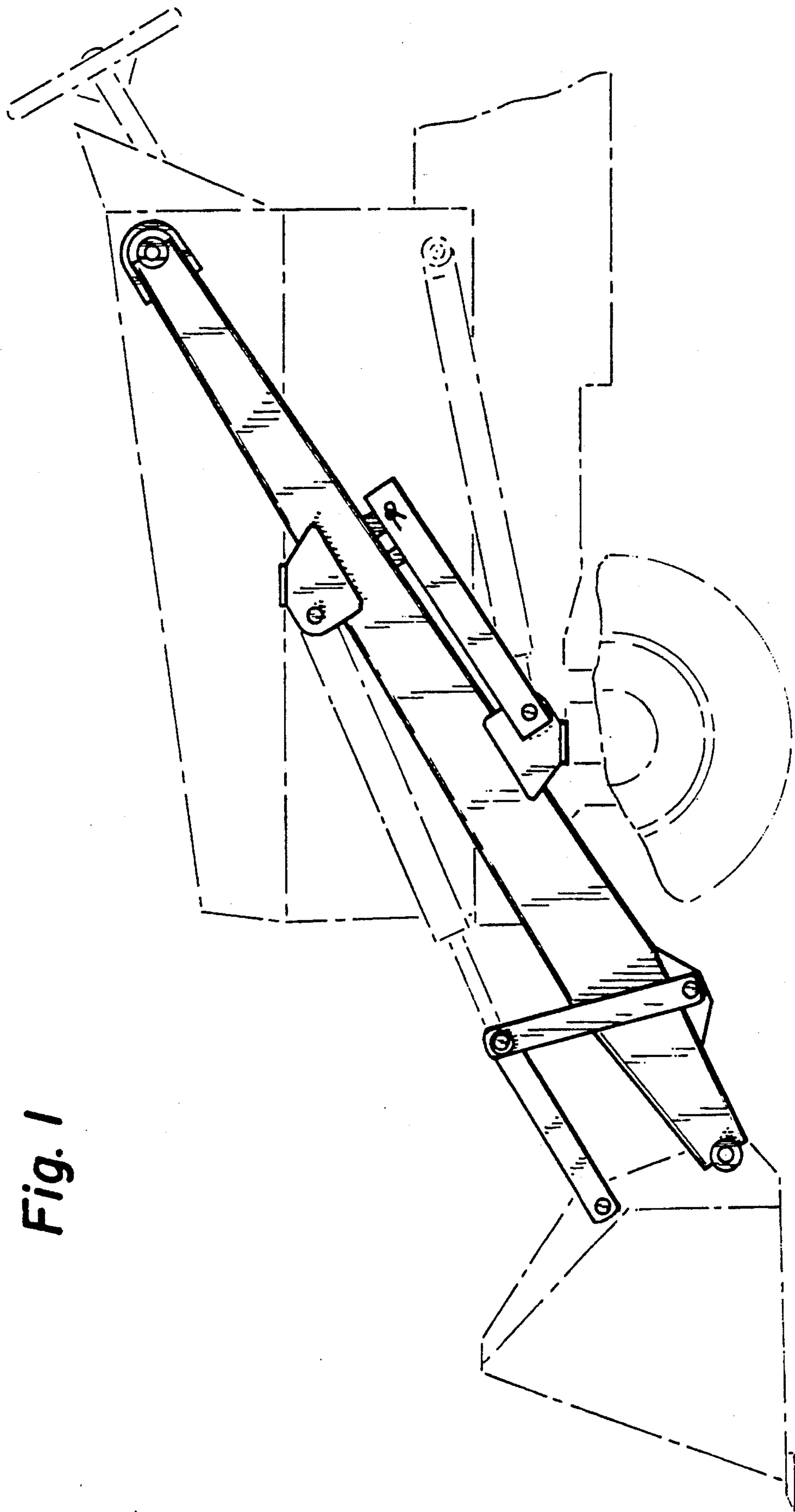


Fig. 1

Fig. 3

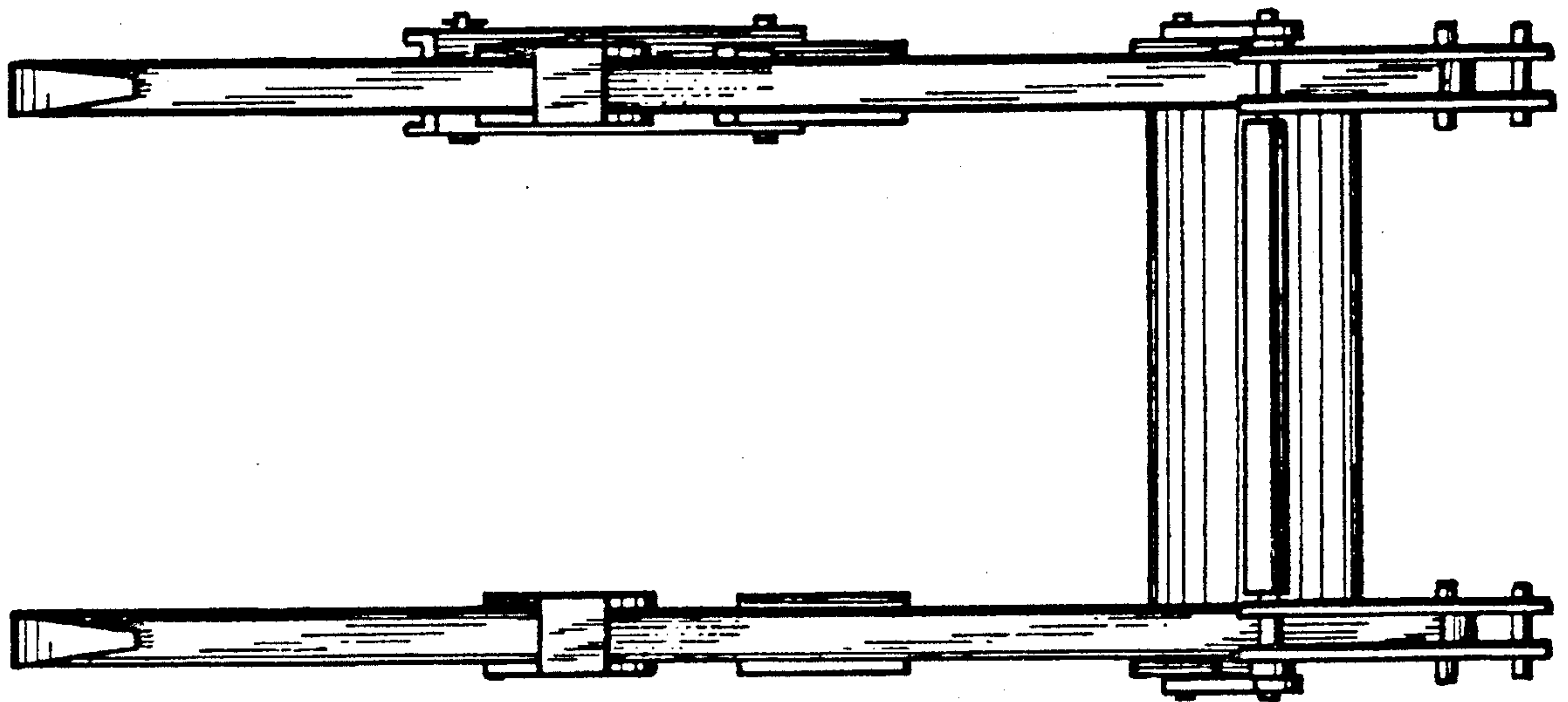
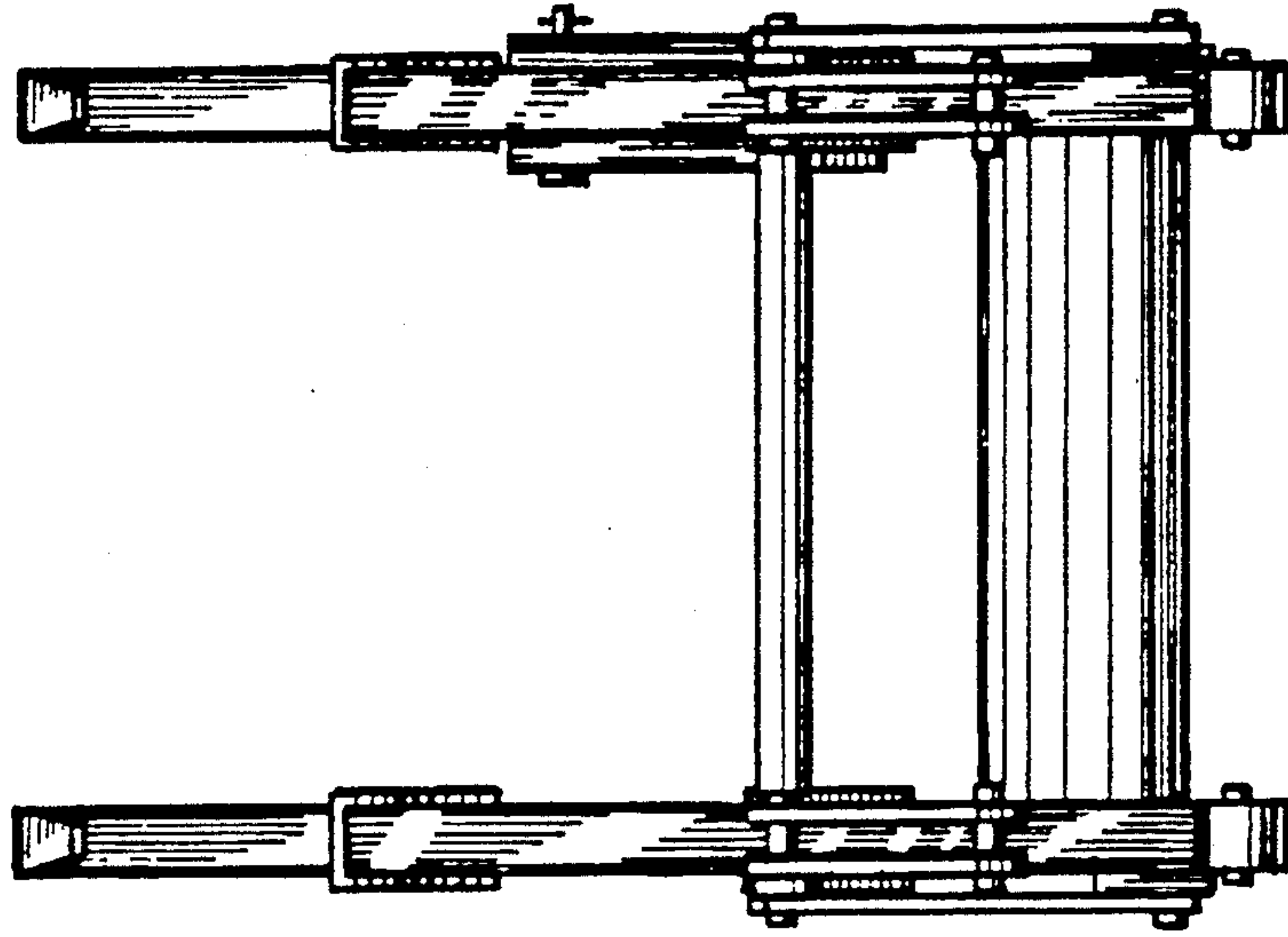
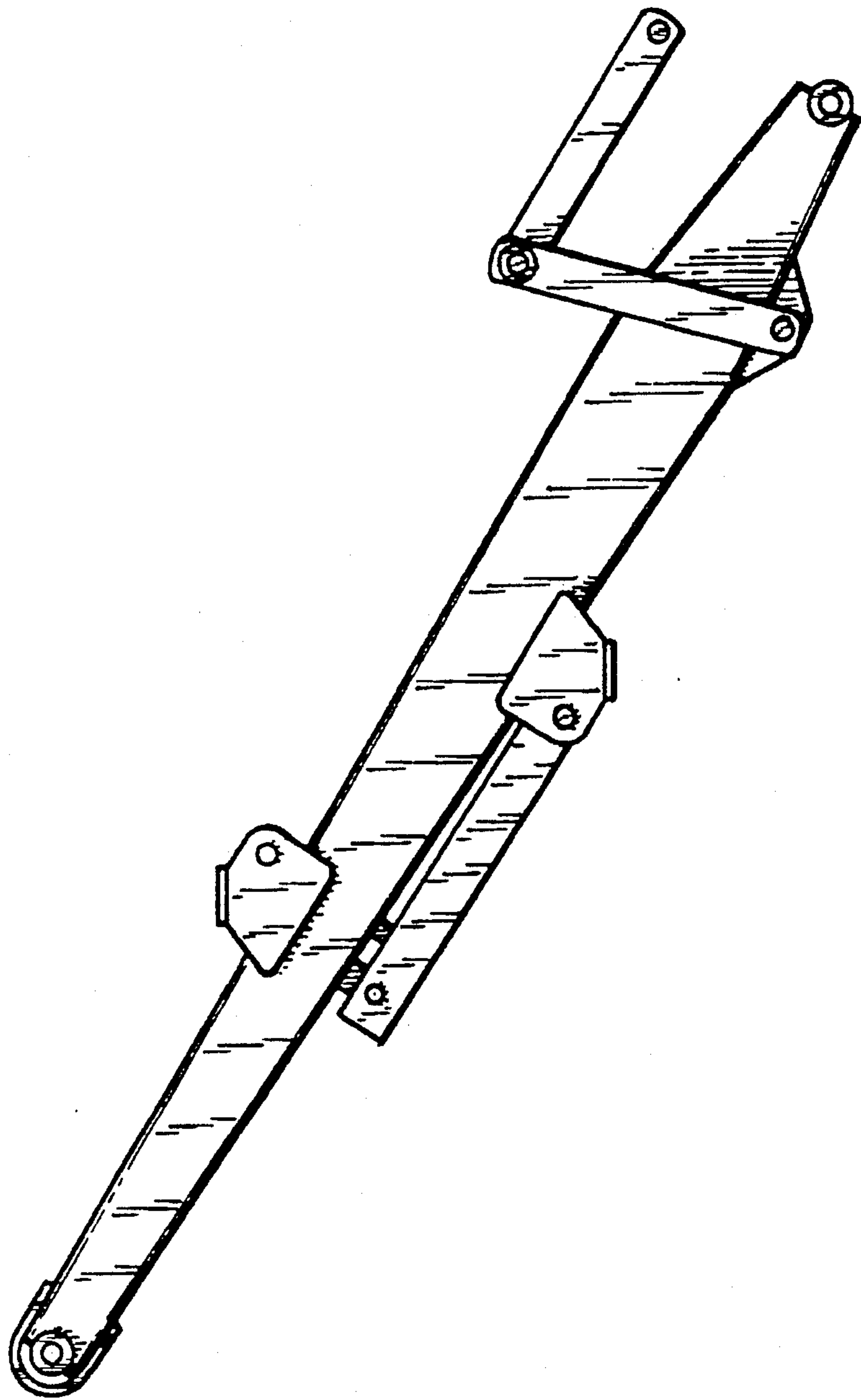


Fig. 2

Fig. 4



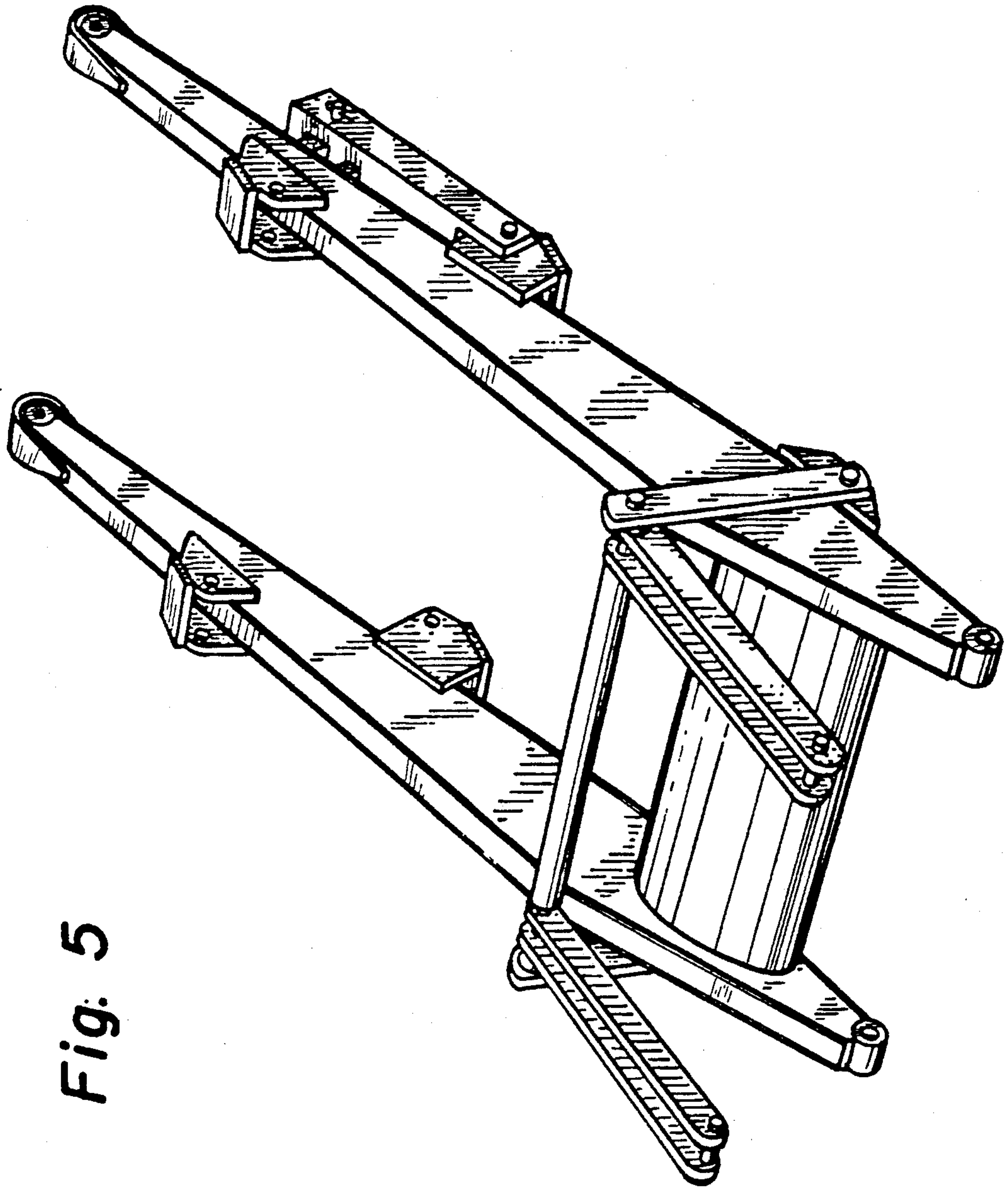


Fig. 5