

[54] PORTABLE COMPUTER WITH A DISPLAY SCREEN

[75] Inventor: Alan K. Lund, Lee's Summit, Mo.

[73] Assignee: Memory Plus, Inc., Lee's Summit, Mo.

[\*\*] Term: 14 Years

[21] Appl. No.: 421,691

[22] Filed: Oct. 16, 1989

[52] U.S. Cl. .... D14/100

[58] Field of Search ..... D14/100, 101, 106, 113, D14/114, 115, 105, 107; D18/1, 7; 235/145 A, 145 R; 178/18, 19; 340/700, 706, 711, 712; 341/22, 23, 26; 369/56; 358/248, 249, 254; 364/706-710.14, 200, 900; 400/477, 479

[56] References Cited

U.S. PATENT DOCUMENTS

D. 284,084	6/1986	Ferrara, Jr. ....	D14/114
D. 303,111	8/1989	Paley .....	D14/100
D. 304,032	10/1989	Fine et al. ....	D14/113
D. 307,134	4/1990	Makidera .....	D14/100
D. 313,793	1/1991	Kato .....	D14/100

4,545,023	10/1985	Mizzi .....	364/709.13
4,725,694	2/1988	Auer et al. ....	340/712 X
4,814,760	3/1989	Johnston et al. ....	340/706 X
4,862,151	8/1989	Grauz et al. ....	340/712 X

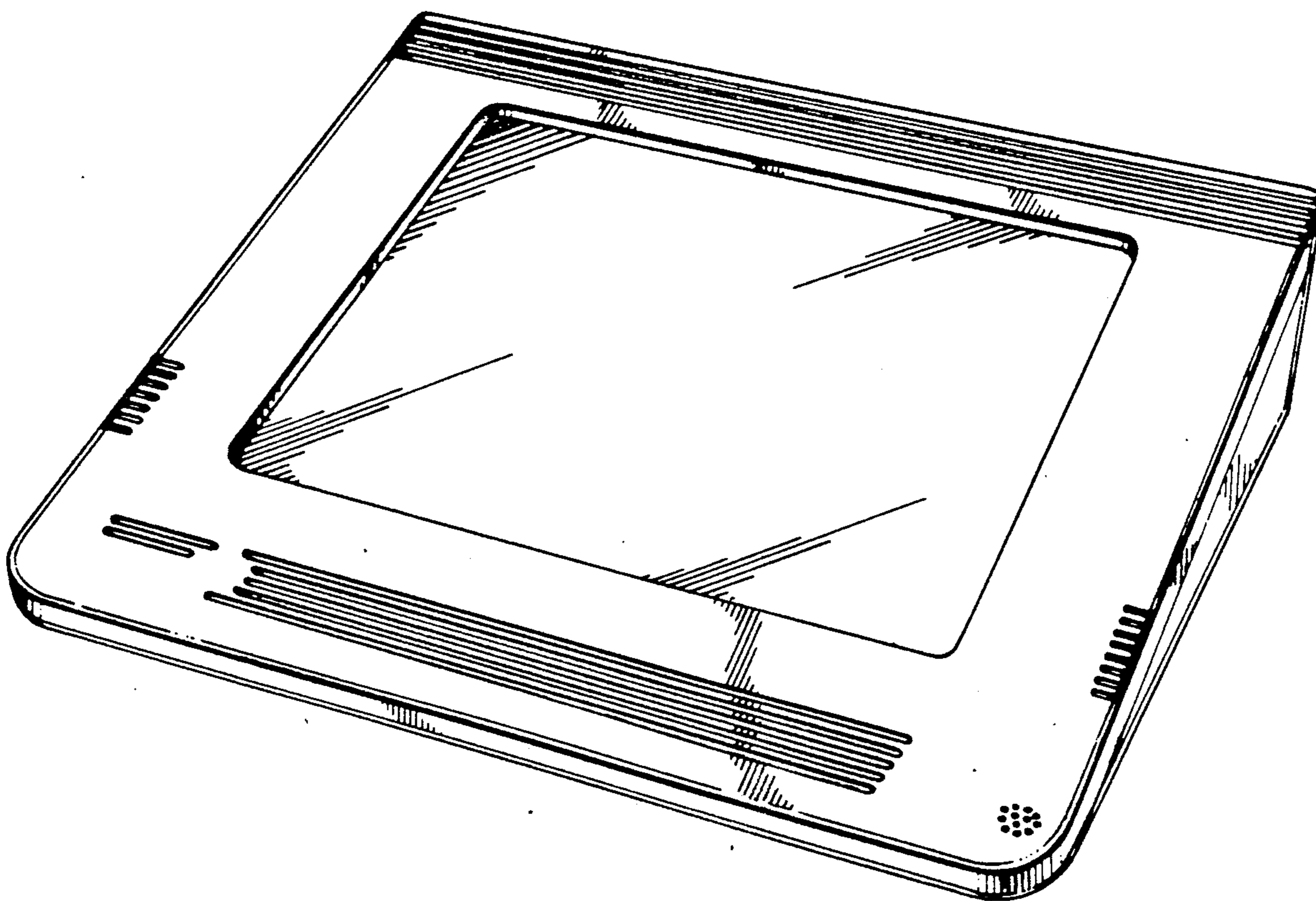
Primary Examiner—Wallace R. Burke  
Assistant Examiner—Freda S. Nunn  
Attorney, Agent, or Firm—Litman, McMahon & Brown

[57] CLAIM

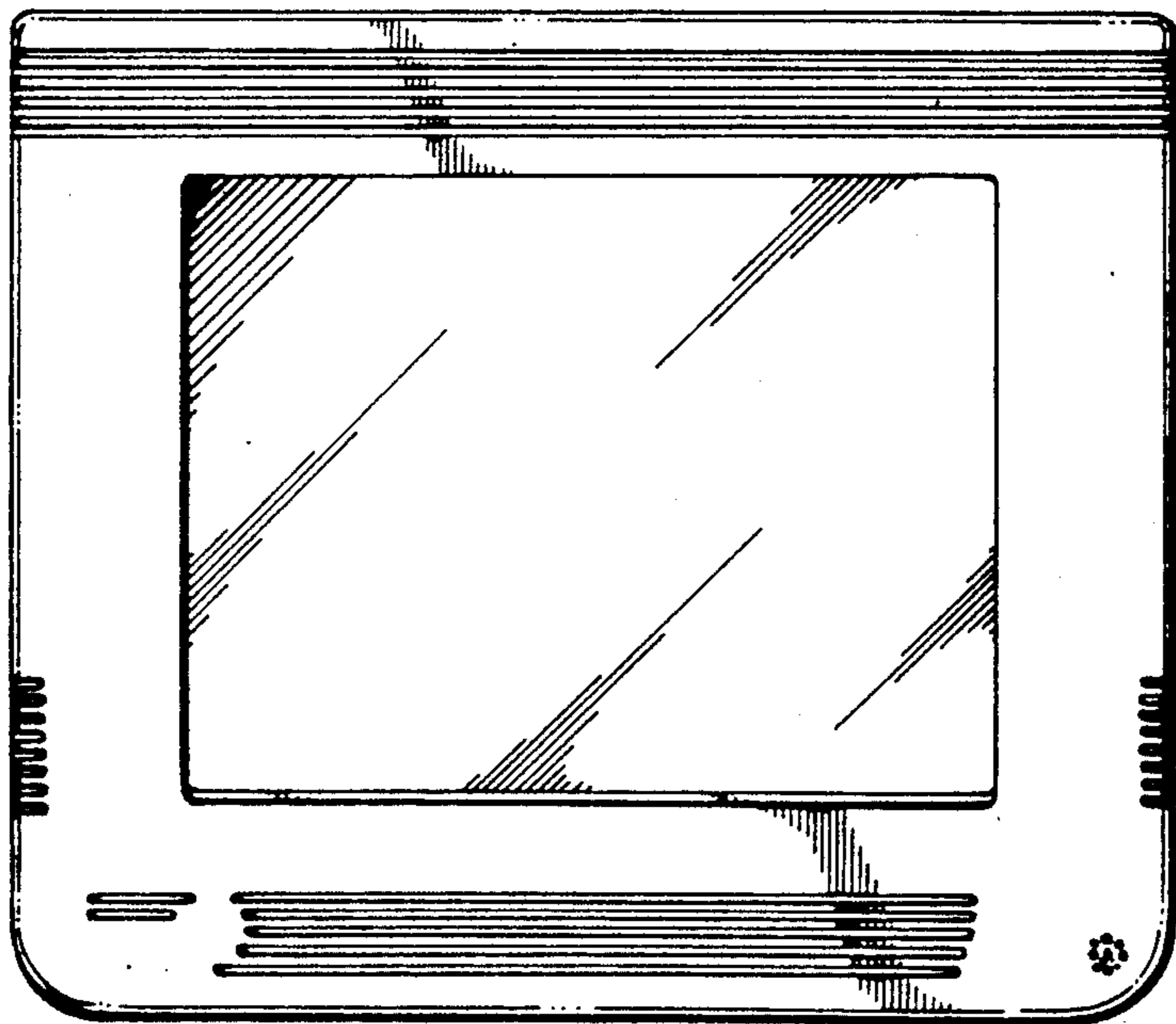
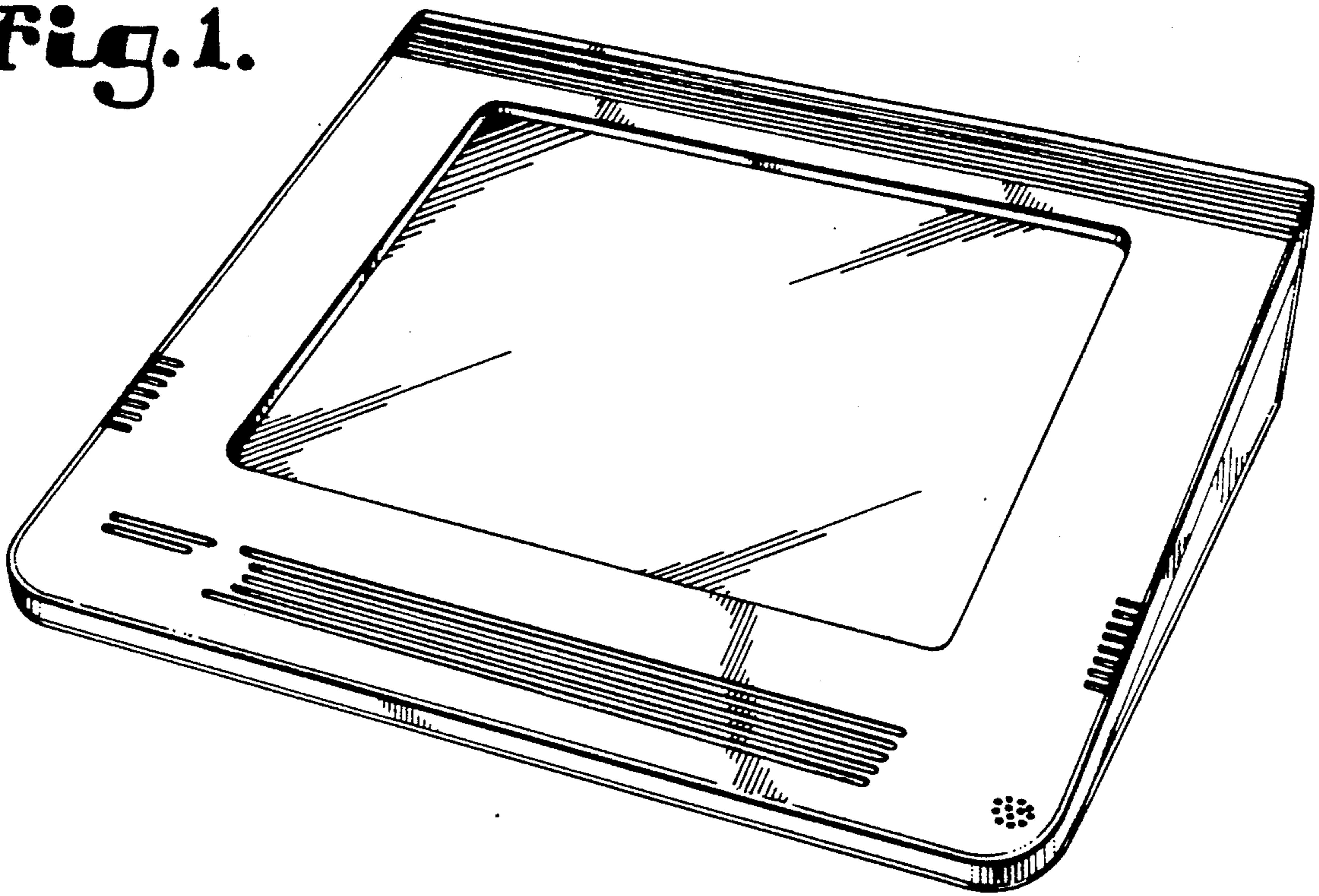
The ornamental design for a portable computer with a display screen, as shown and described.

DESCRIPTION

FIG. 1 is a perspective view of a portable computer with a display screen showing my new design;  
FIG. 2 is a top plan view thereof on a reduced scale;  
FIG. 3 is a right side elevational view thereof on a reduced scale;  
FIG. 4 is a front elevational view thereof on a reduced scale;  
FIG. 5 is a left side elevational view thereof on a reduced scale;  
FIG. 6 is a rear elevational view thereof on a reduced scale;  
FIG. 7 is a bottom plan view thereof on a reduced scale.

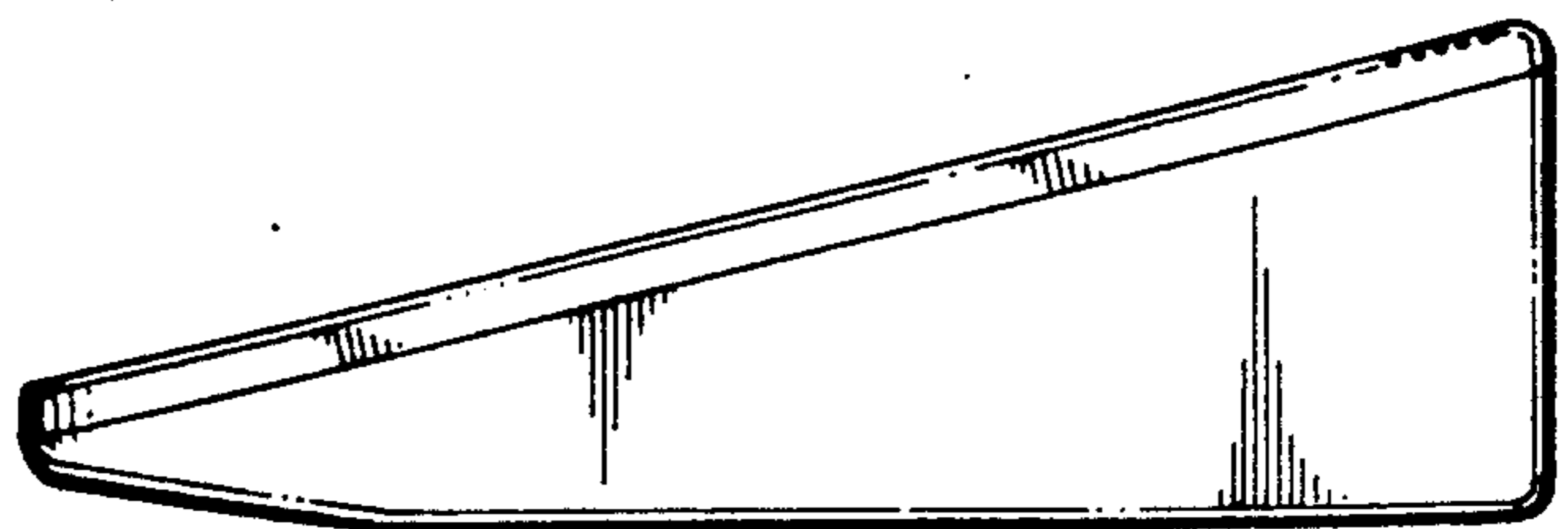


**Fig. 1.**

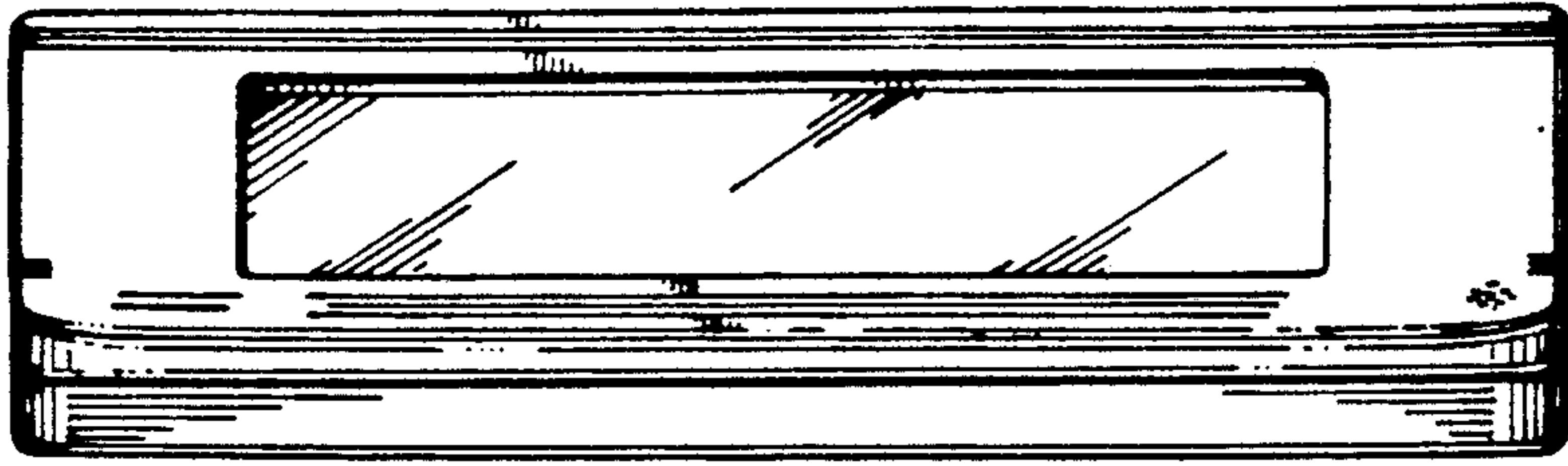


**Fig. 2.**

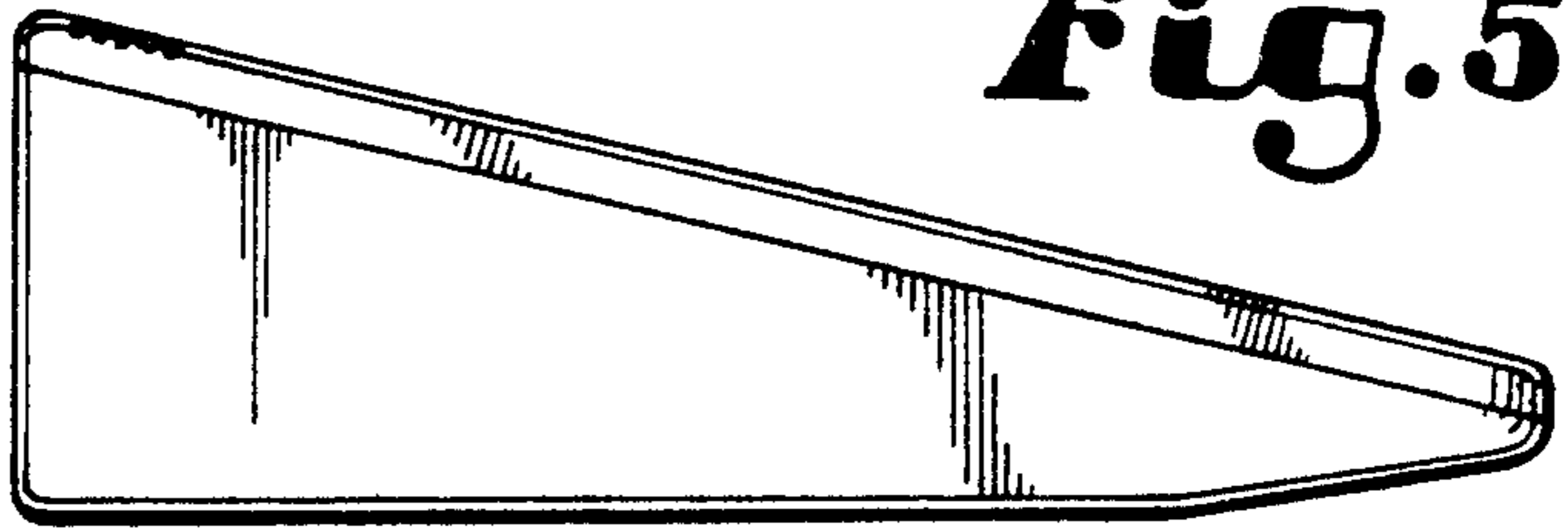
**Fig. 3.**



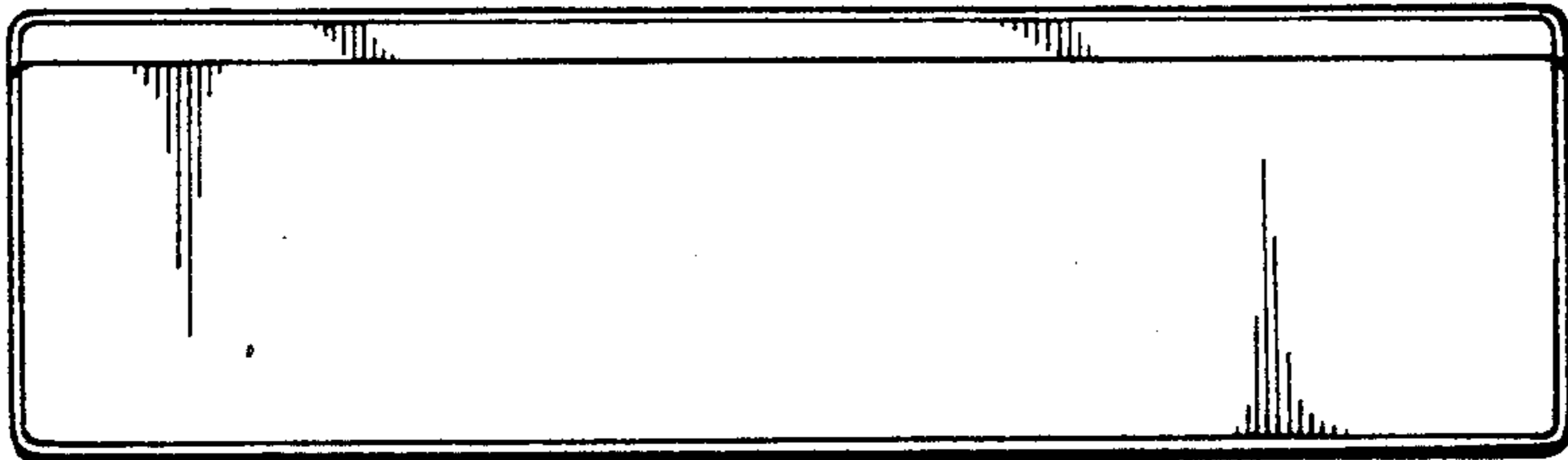
*Fig. 4.*



*Fig. 5.*



*Fig. 6.*



*Fig. 7.*

