

[54] HOUSINGS FOR ELECTRONIC CIRCUITS
[75] Inventor: Peter Constien, Berlin, Fed. Rep. of Germany
[73] Assignee: FAST Electronic GmbH, Munich, Fed. Rep. of Germany
[**] Term: 14 Years
[21] Appl. No.: 422,441
[22] Filed: Oct. 17, 1989
[52] U.S. Cl. D13/184; D13/147
[58] Field of Search D13/133, 146, 147; D14/256; 439/488-491, 573, 610, 910; 380/4

25/36 Shielded PC Parallel Adapter on p. 61 of *INMAC* 1988 Catalog.
Adapters and Converters on p. 102 of *MISCO* Catalog.
DLD Line Drive on p. 120 of *MISCO* Catalog.

Primary Examiner—Susan J. Lucas
Assistant Examiner—J. Sincavage
Attorney, Agent, or Firm—Herbert L. Lerner; Laurence A. Greenberg

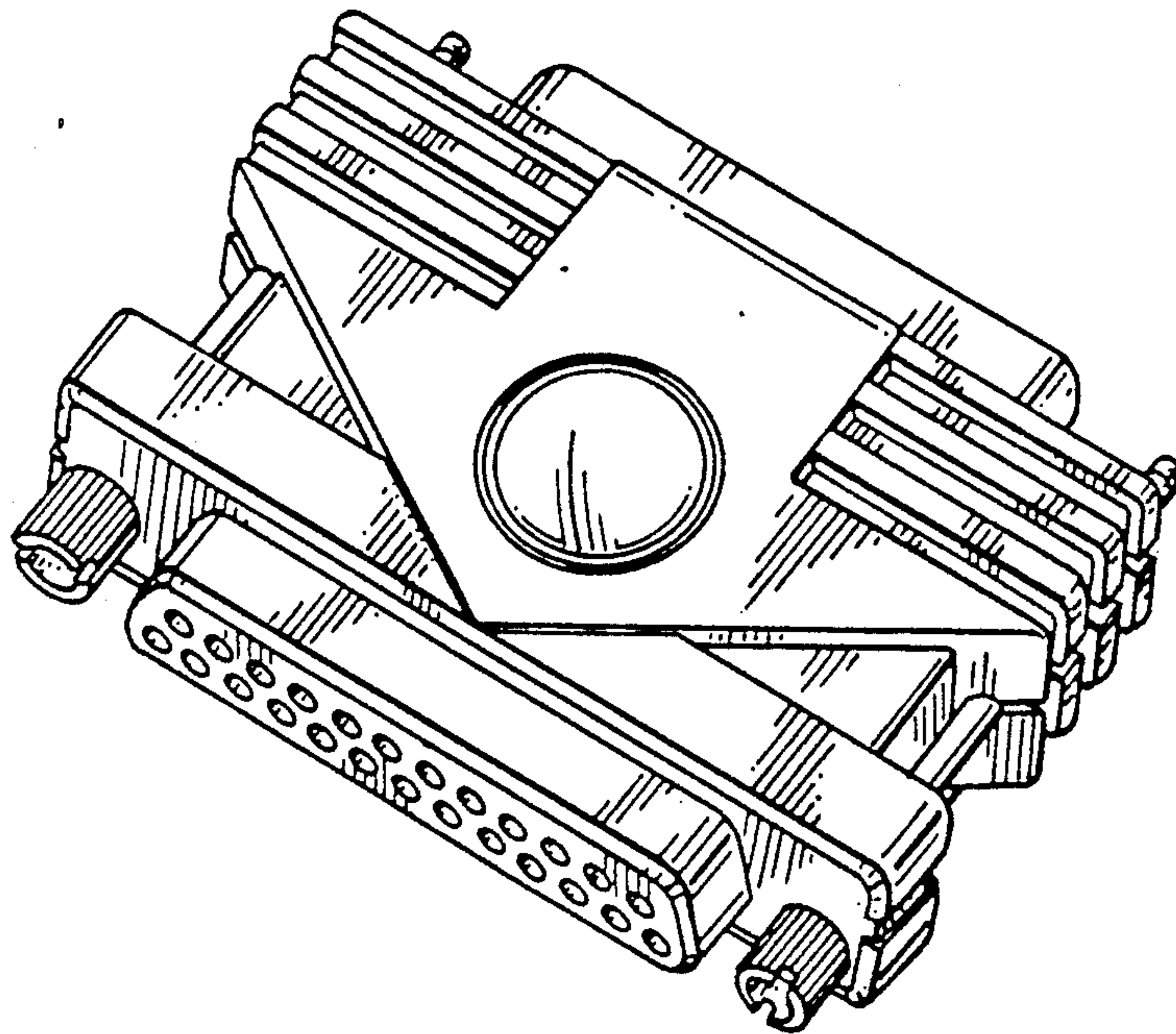
[57] CLAIM

The ornamental design for housings for electronic circuits, as shown and described.

DESCRIPTION

FIG. 1 is a front, top and right side perspective view of a housing for electronic circuits showing my new design;
FIG. 2 is a top-plan view thereof;
FIG. 3 is a bottom-plan view thereof;
FIG. 4 is a front-elevational view thereof;
FIG. 5 is an inverted rear elevational view thereof; and
FIG. 6 is a left side elevational view thereof, the right side elevational view thereof being a mirror image.

[56] References Cited
U.S. PATENT DOCUMENTS
D. 312,816 12/1990 Huang D13/147
4,609,777 9/1986 Cargile 380/4
4,758,179 7/1988 Klein et al. 439/610 X
OTHER PUBLICATIONS
Null Modem on p. 21 of *INMAC* 1987 Catalog.



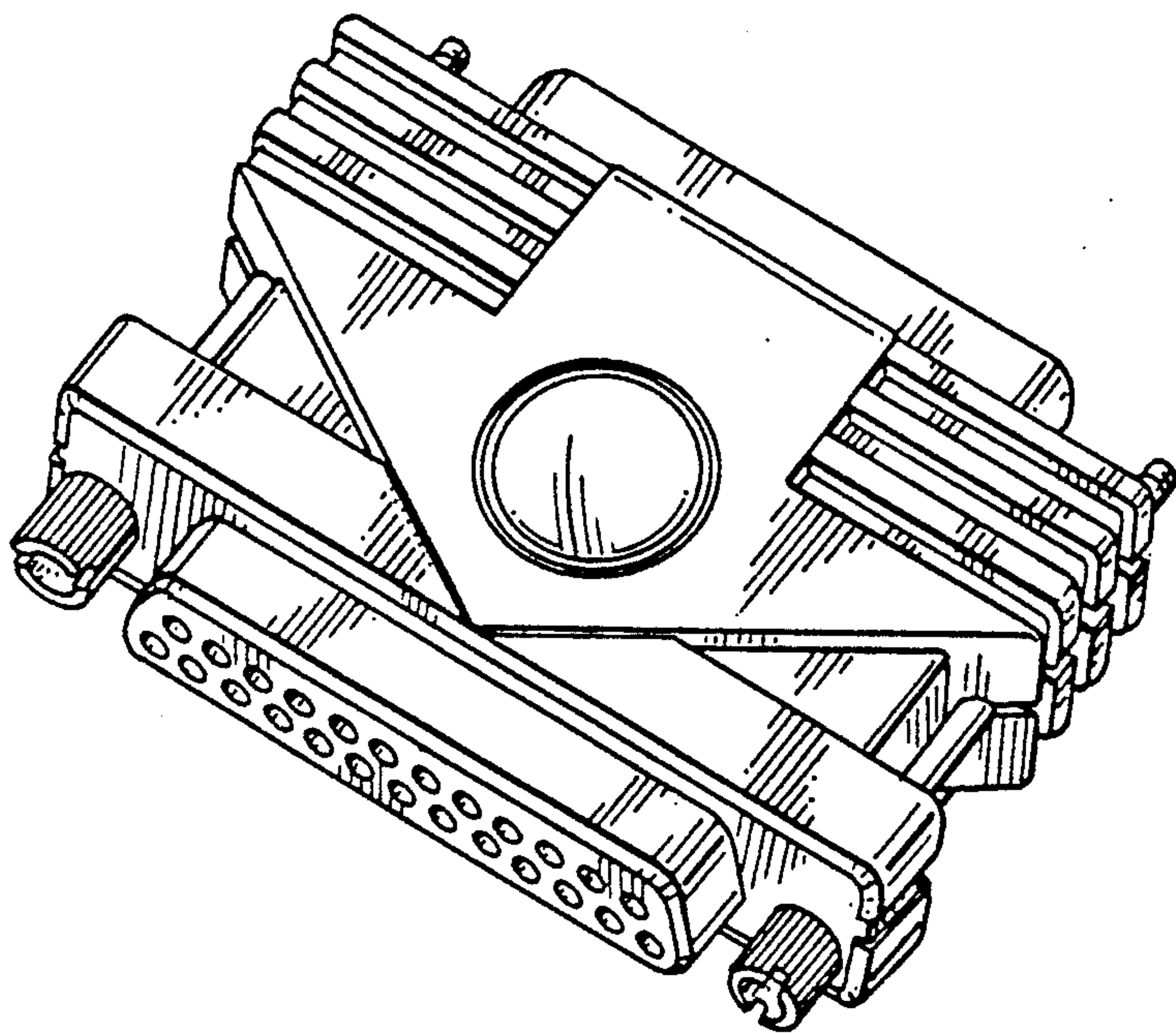


Fig. 1

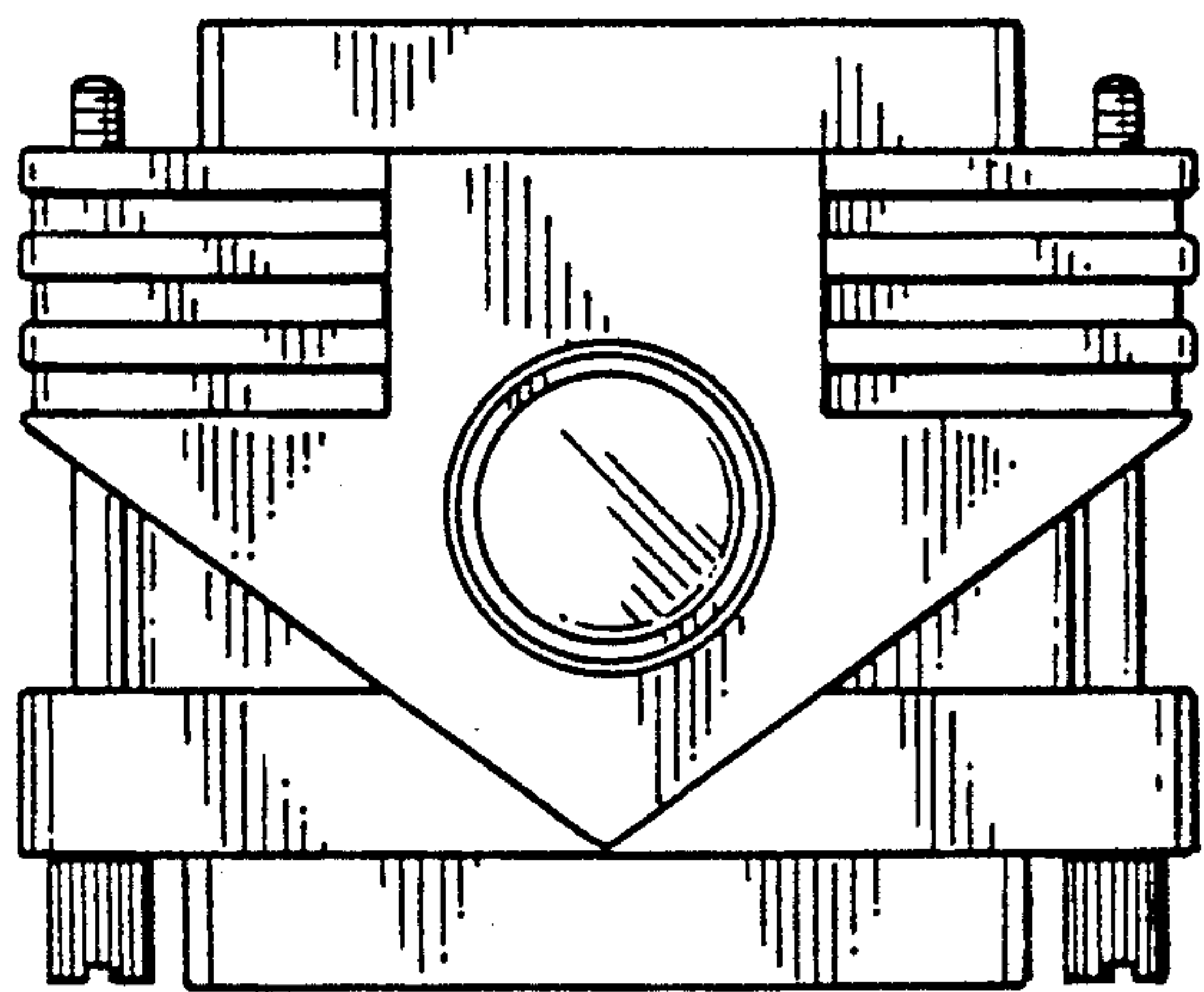


Fig. 2

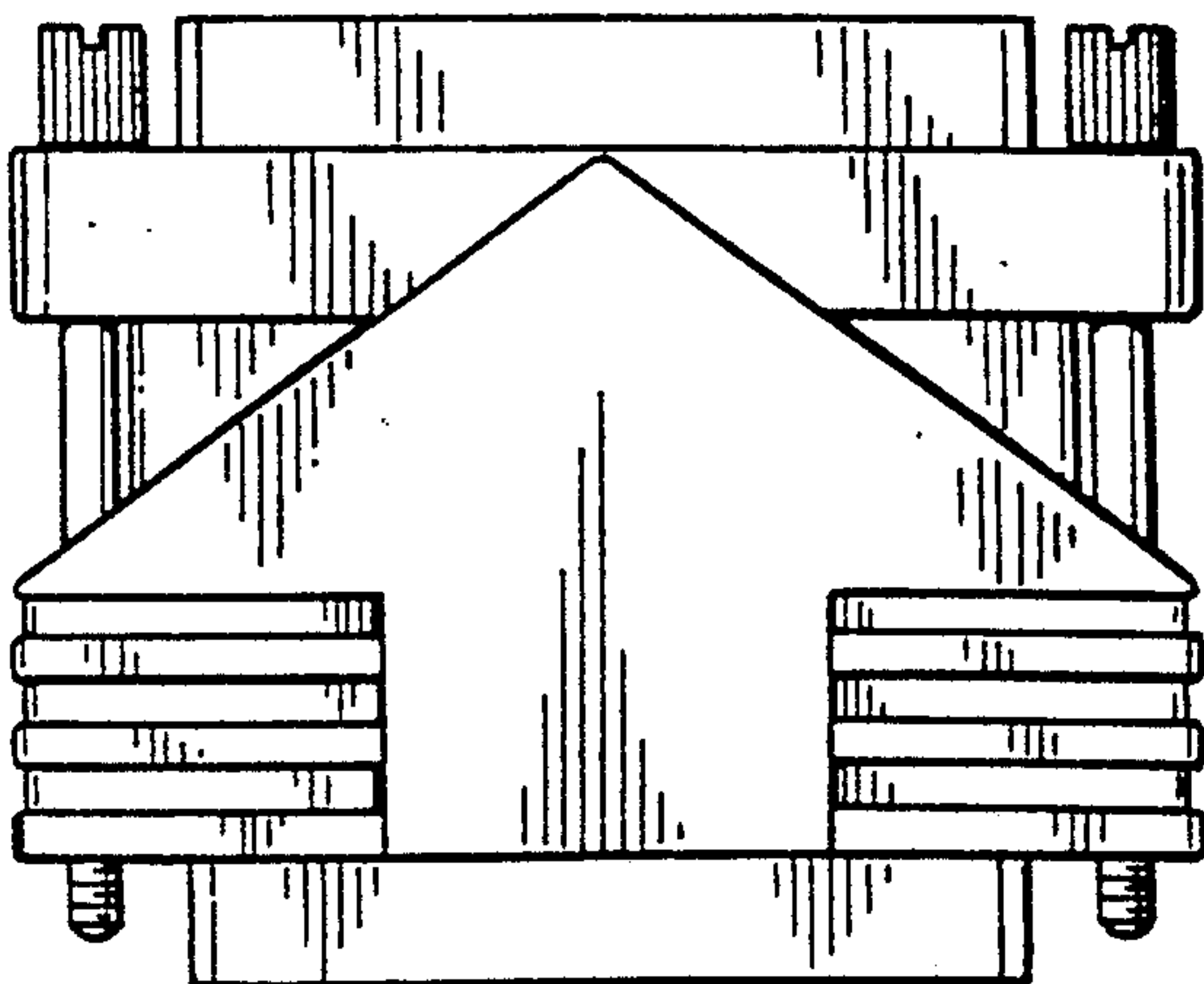


Fig. 3

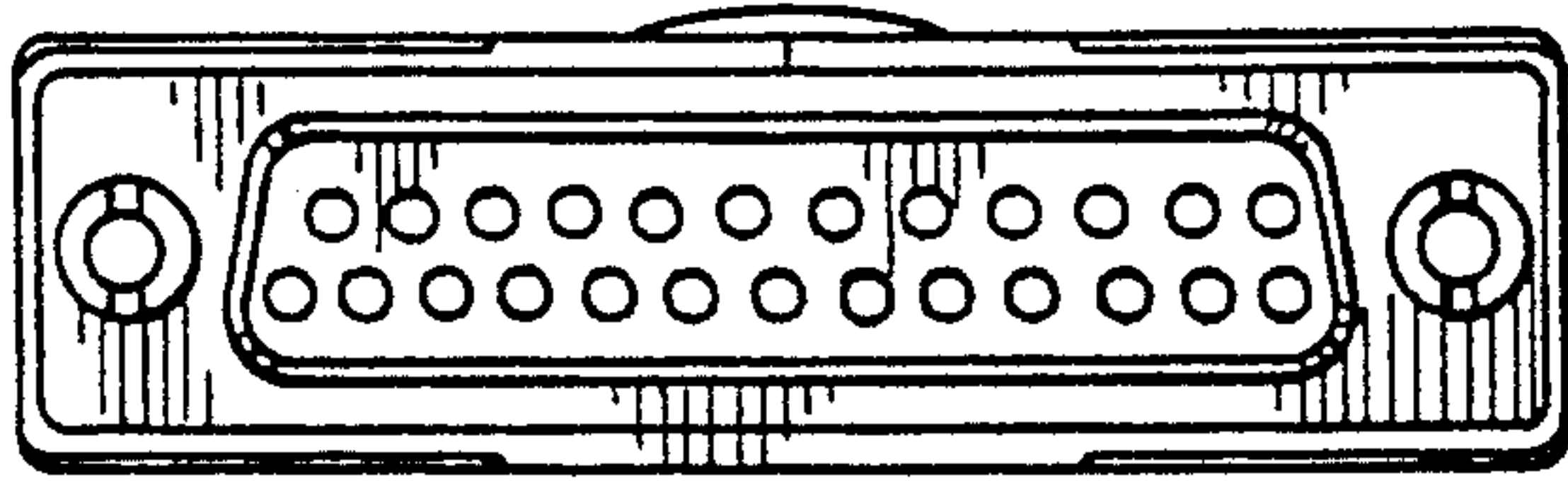


Fig. 4

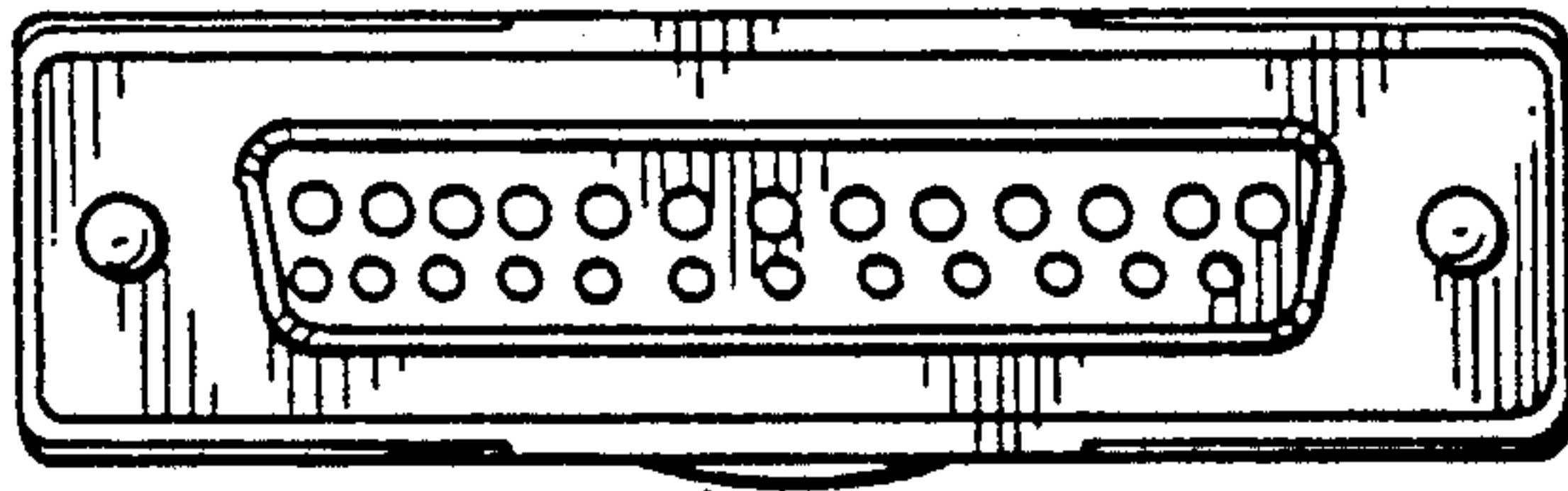


Fig. 5

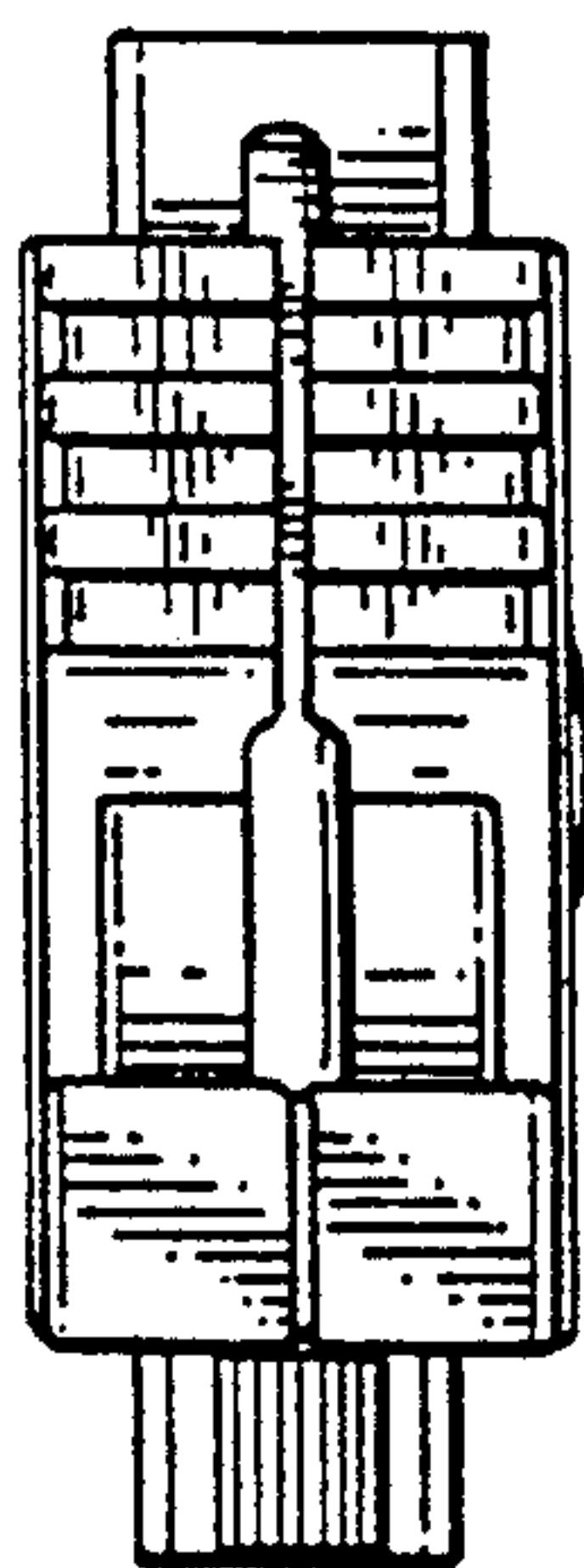


Fig. 6